



US00D654099S

(12) **United States Design Patent**  
**Schindler et al.**

(10) **Patent No.:** **US D654,099 S**

(45) **Date of Patent:** **\*\* Feb. 14, 2012**

(54) **MACHINE TOOL**

(75) Inventors: **Dominic Schindler**, Lauter (AT);  
**Reinhold Seitz**, Hopferau (DE)

(73) Assignee: **Glidemeister AG**, Bielefeld (DE)

(\*\*) Term: **14 Years**

(21) Appl. No.: **29/381,641**

(22) Filed: **Dec. 21, 2010**

**Related U.S. Application Data**

(62) Division of application No. 29/304,673, filed on Mar. 5, 2008.

(30) **Foreign Application Priority Data**

Sep. 5, 2007 (DE) ..... 40704516

(51) **LOC (9) Cl.** ..... **15-09**

(52) **U.S. Cl.** ..... **D15/122**

(58) **Field of Classification Search** ..... D15/122,

D15/127, 130, 131; 74/608; 82/117, 118,

82/133, 134, 138, 149, 152; 198/860.3; 210/400;

714/48

See application file for complete search history.

(56) **References Cited**

U.S. PATENT DOCUMENTS

D301,585 S *	6/1989	Linn .....	D15/138
D319,834 S *	9/1991	Rutschle .....	D15/131
D422,289 S *	4/2000	Mariotta et al. ....	D15/127
D445,807 S *	7/2001	Baulk .....	D15/127
D472,250 S *	3/2003	Mariotta et al. ....	D15/127
D489,077 S *	4/2004	Bloch .....	D15/127

\* cited by examiner

*Primary Examiner* — Patricia Palasik

(74) *Attorney, Agent, or Firm* — The Maxham Firm

(57) **CLAIM**

The ornamental design for a machine tool, as shown and described.

**DESCRIPTION**

FIG. 1 is a front view of the machine tool according to the invention;

FIG. 2 is a left side view thereof;

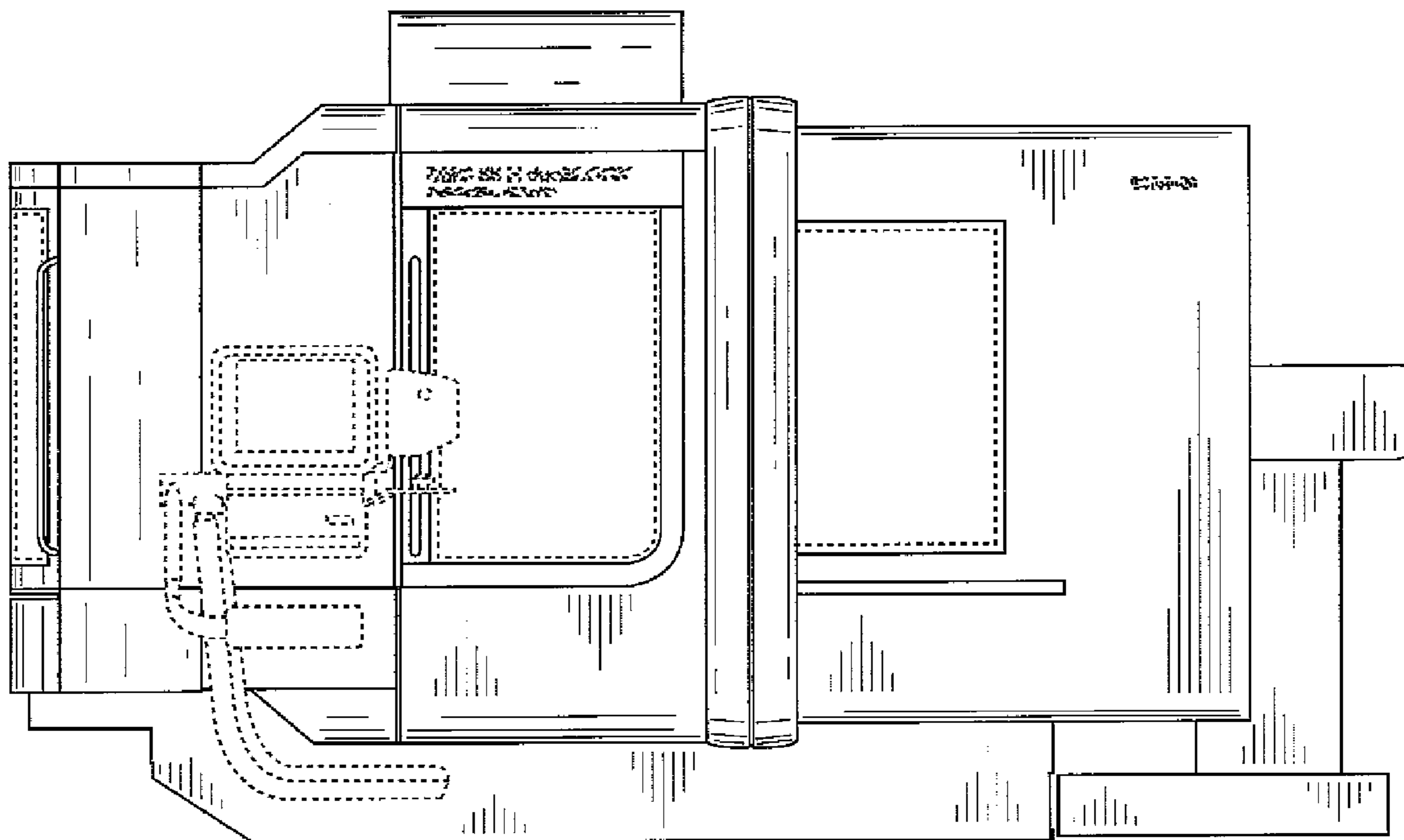
FIG. 3 is a back view thereof;

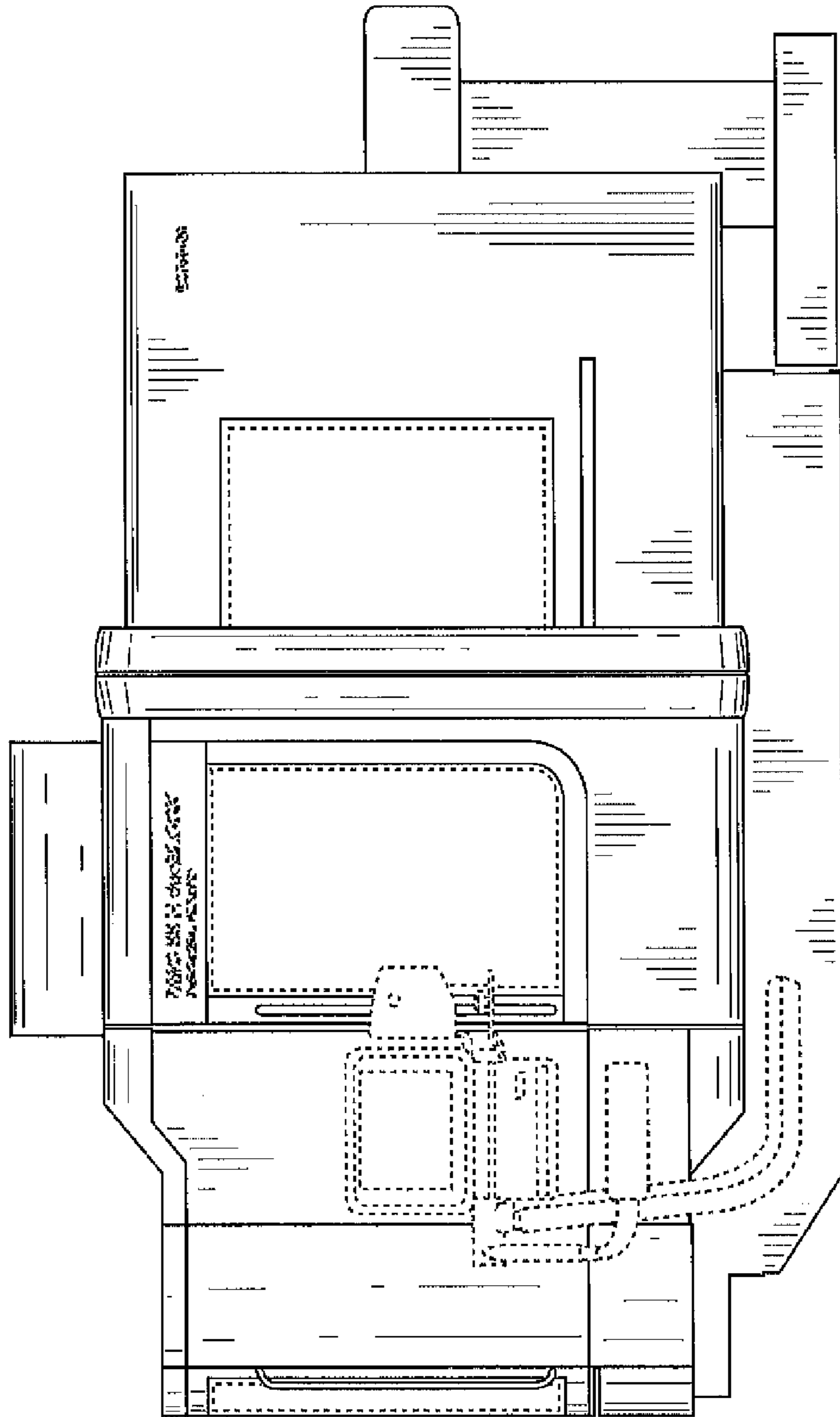
FIG. 4 is a right side view thereof;

FIG. 5 is a top view thereof; and,

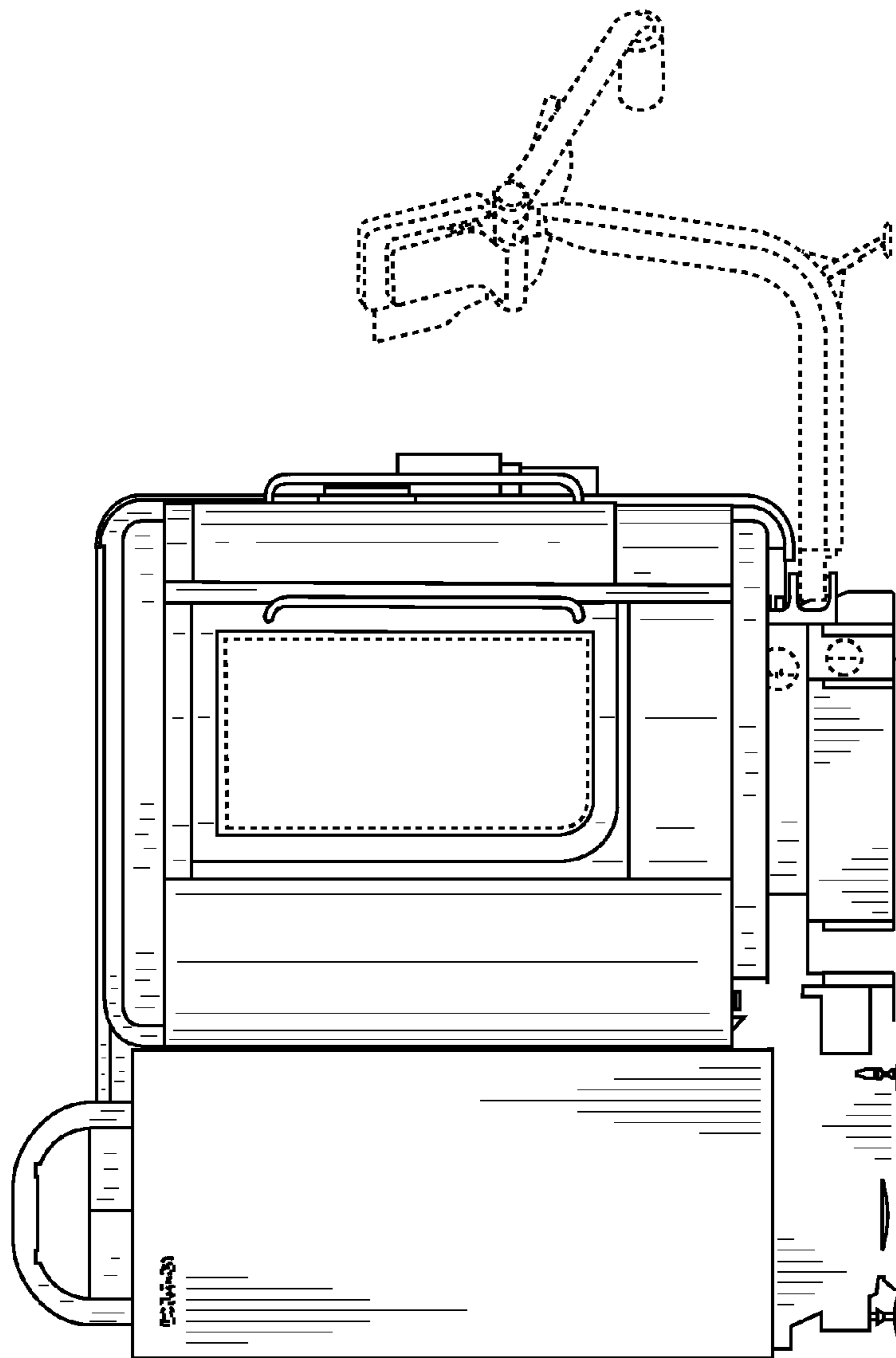
FIG. 6 is a bottom view thereof.

**1 Claim, 6 Drawing Sheets**

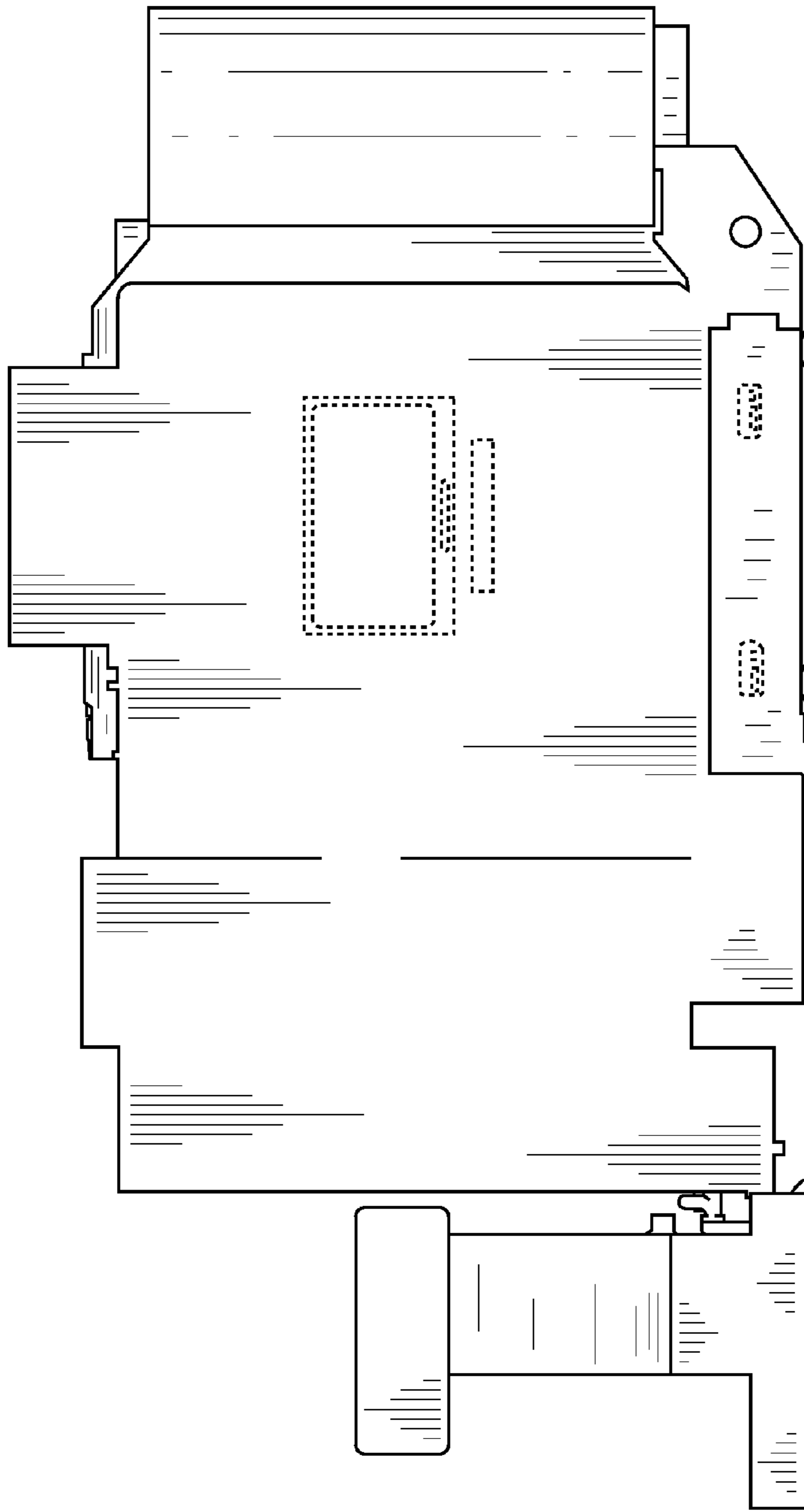




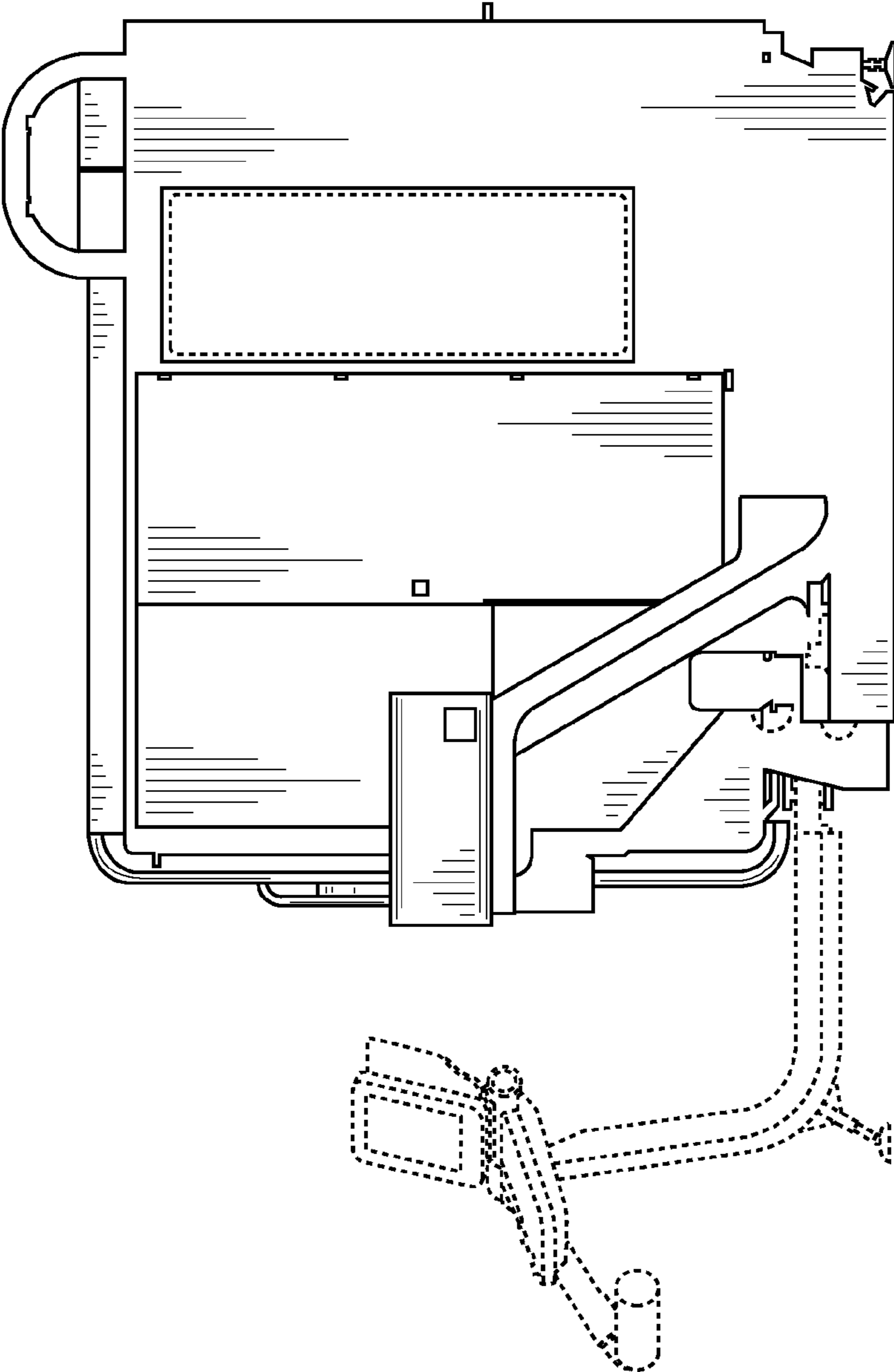
**FIG. 1**



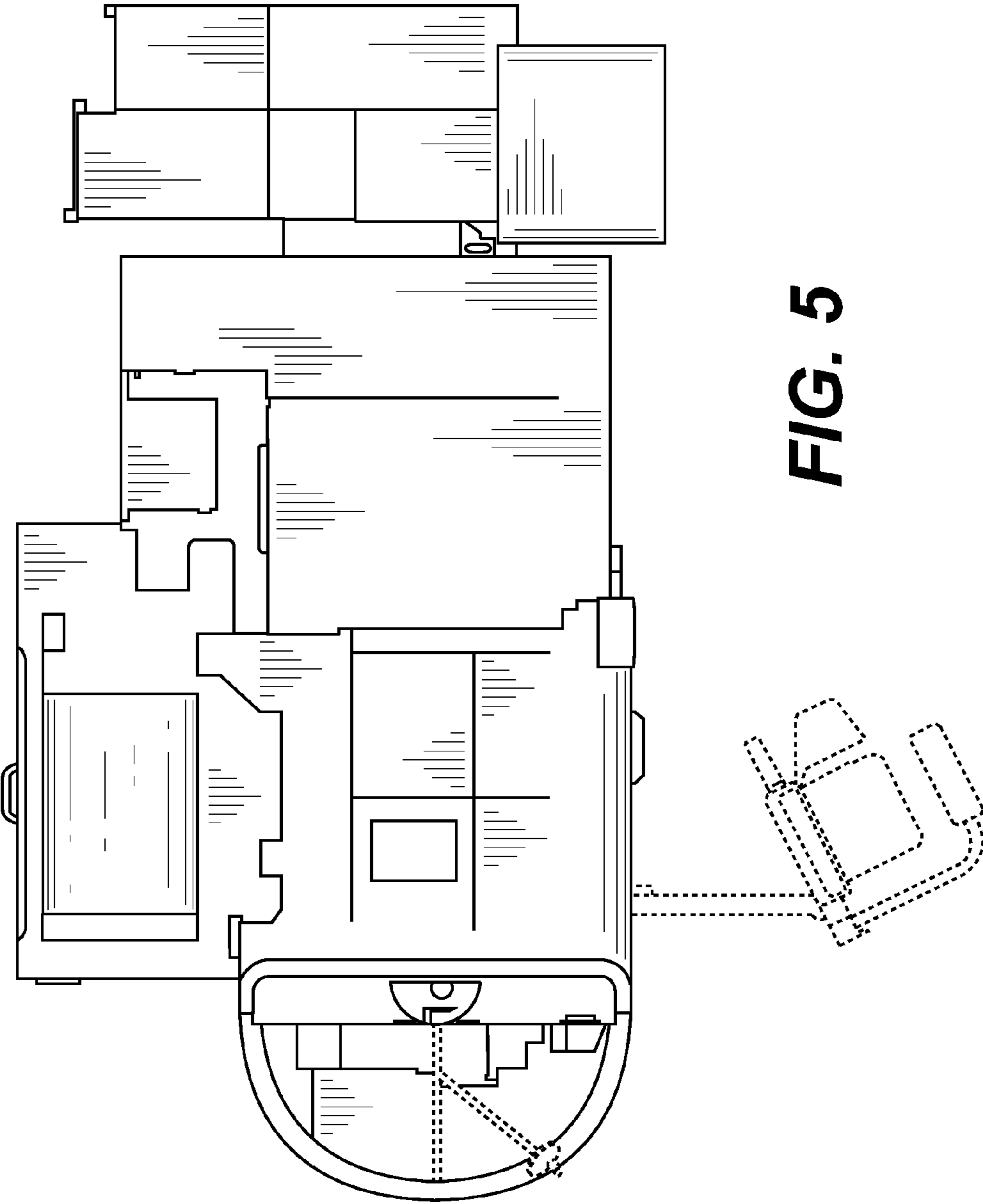
**FIG. 2**



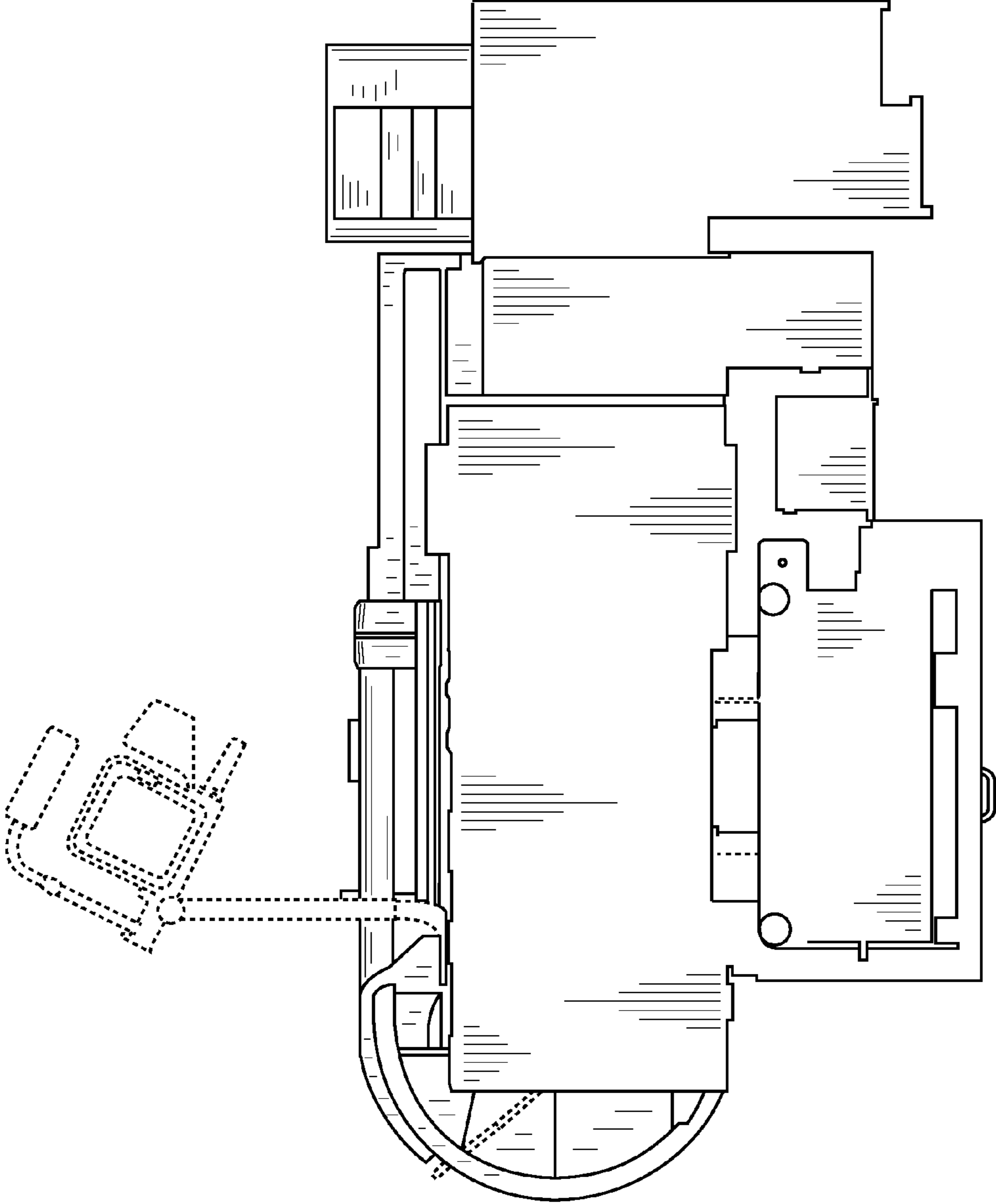
**FIG. 3**



**FIG. 4**



**FIG. 5**



**FIG. 6**