



US00D654098S

(12) **United States Design Patent**
Piffel et al.

(10) **Patent No.:** **US D654,098 S**

(45) **Date of Patent:** **** Feb. 14, 2012**

(54) **REFRIGERATOR**

(75) Inventors: **Moriz Piffel**, Graz (AT); **Jürgen Brenneis**, Pinsdorf (AT); **Matthias V. Rinderer**, Fuschl am See (AT); **Eike Schaefer**, Anger (DE); **Rainer Vogt**, Bad Reichenhall (DE)

(73) Assignee: **RED BULL GmbH**, Fuschl Am See (AT)

(**) Term: **14 Years**

(21) Appl. No.: **29/381,127**

(22) Filed: **Dec. 15, 2010**

(30) **Foreign Application Priority Data**

Jul. 22, 2010 (EM) 001735028-0001
Jul. 22, 2010 (EM) 001735028-0002
Jul. 22, 2010 (EM) 001735028-0003

(51) **LOC (9) Cl.** **15-07**

(52) **U.S. Cl.** **D15/81**

(58) **Field of Classification Search** D15/79,
D15/81-89, 91; 312/114, 116, 236, 352,
312/400-408; 62/3.6, 3.63, 3.64, 293, 467
See application file for complete search history.

(56) **References Cited**

U.S. PATENT DOCUMENTS

D453,169 S * 1/2002 Ma et al. D15/81
D477,000 S * 7/2003 Aldous et al. D15/81
D512,081 S * 11/2005 Chang D15/81
D539,312 S * 3/2007 Kim D15/81
D540,831 S * 4/2007 Kim et al. D15/81
D568,909 S * 5/2008 Santiago D15/81
D604,340 S * 11/2009 Kim et al. D15/81

D618,257 S * 6/2010 Hanamure et al. D15/79
D627,374 S * 11/2010 Yang D15/81
D630,231 S * 1/2011 Yang et al. D15/81

* cited by examiner

Primary Examiner — Mitchell Siegel

(74) *Attorney, Agent, or Firm* — Nixon & Vanderhye, P.C.

(57) **CLAIM**

We claim the ornamental design for “refrigerator,” as shown and described.

DESCRIPTION

FIG. 1 is a left top front perspective view of a refrigerator or cooler and surface portion thereof in accordance with a first embodiment of our new design;

FIG. 2 is a front elevation view thereof;

FIG. 3 is a rear elevation view thereof;

FIG. 4 is a right side elevation view thereof, the left side elevation being a mirror image thereof;

FIG. 5 is a top plan view thereof, the bottom plan view thereof being disclaimed;

FIG. 6 is a right front lower perspective view thereof;

FIG. 7 is a left top front perspective view of a refrigerator or cooler and surface portion thereof in accordance with a second embodiment of our new design;

FIG. 8 is a front elevation view thereof;

FIG. 9 is a rear elevation view thereof;

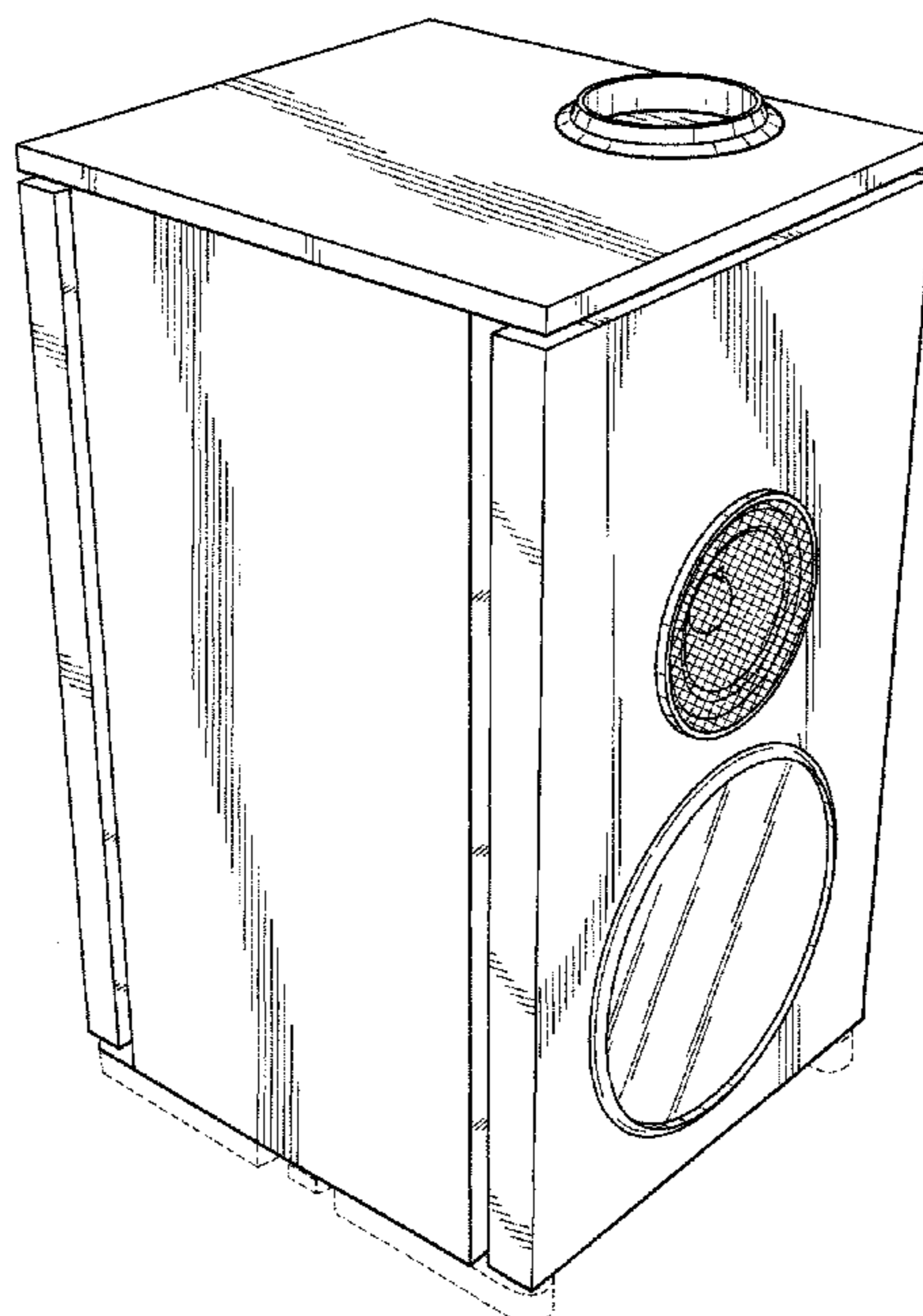
FIG. 10 is a right side elevation view thereof, the left side elevation view being a mirror image thereof;

FIG. 11 is a top plan view thereof, the bottom plan view thereof be disclaimed; and,

FIG. 12 is a right front lower perspective view thereof.

The broken line showing is for illustrative purposes only and forms no part of the claimed design.

1 Claim, 12 Drawing Sheets



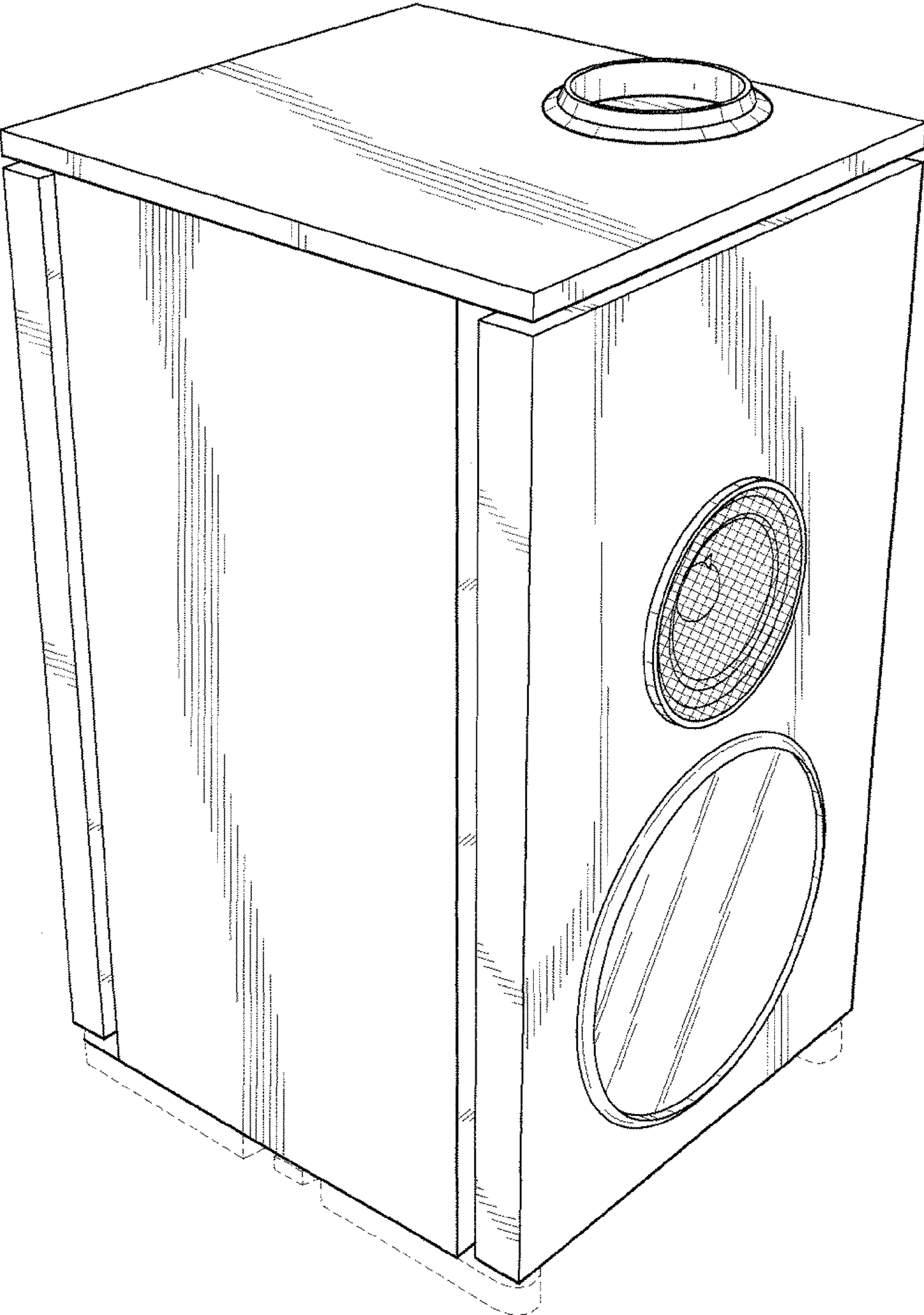


FIG. 1

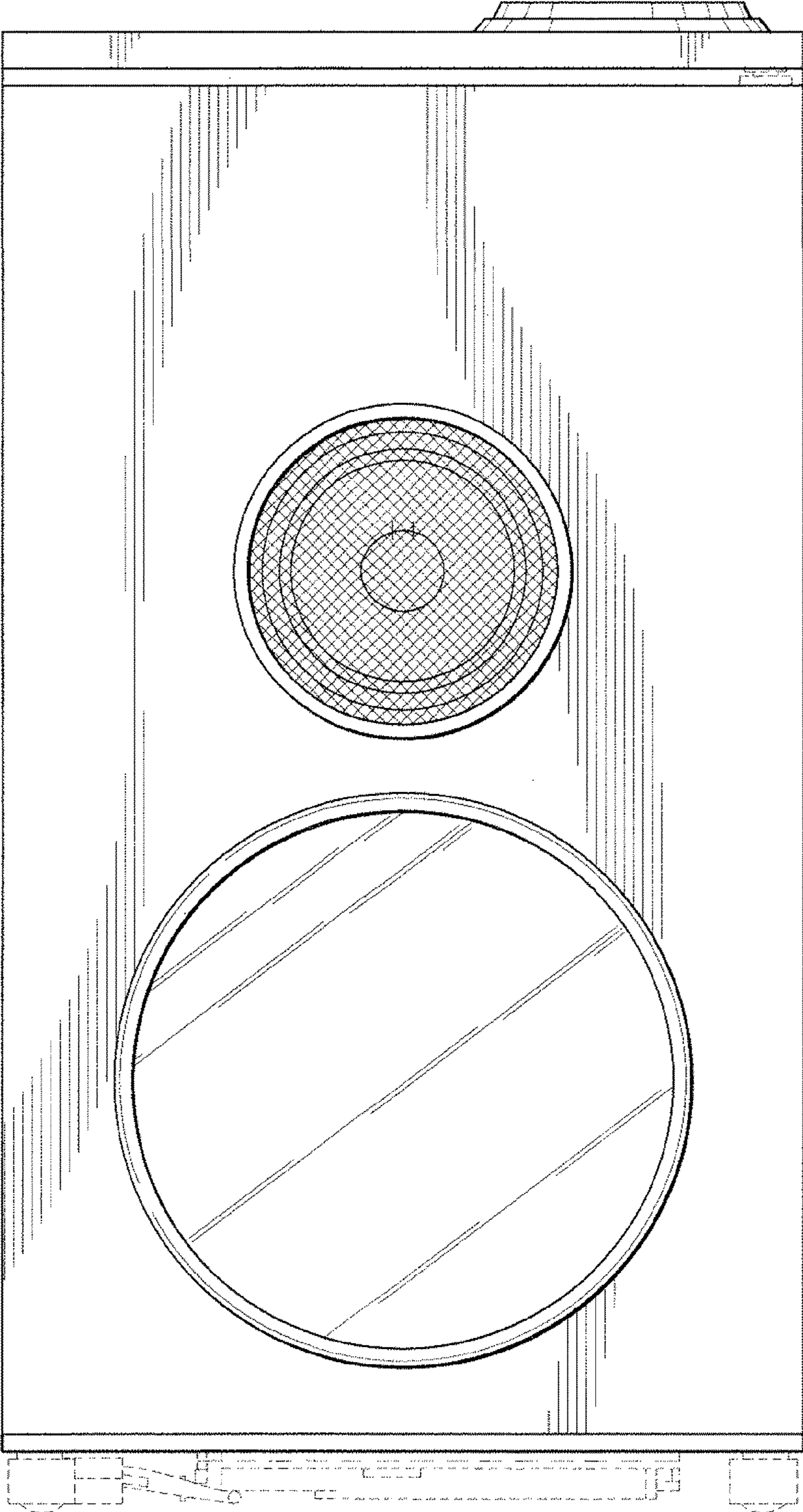


FIG. 2

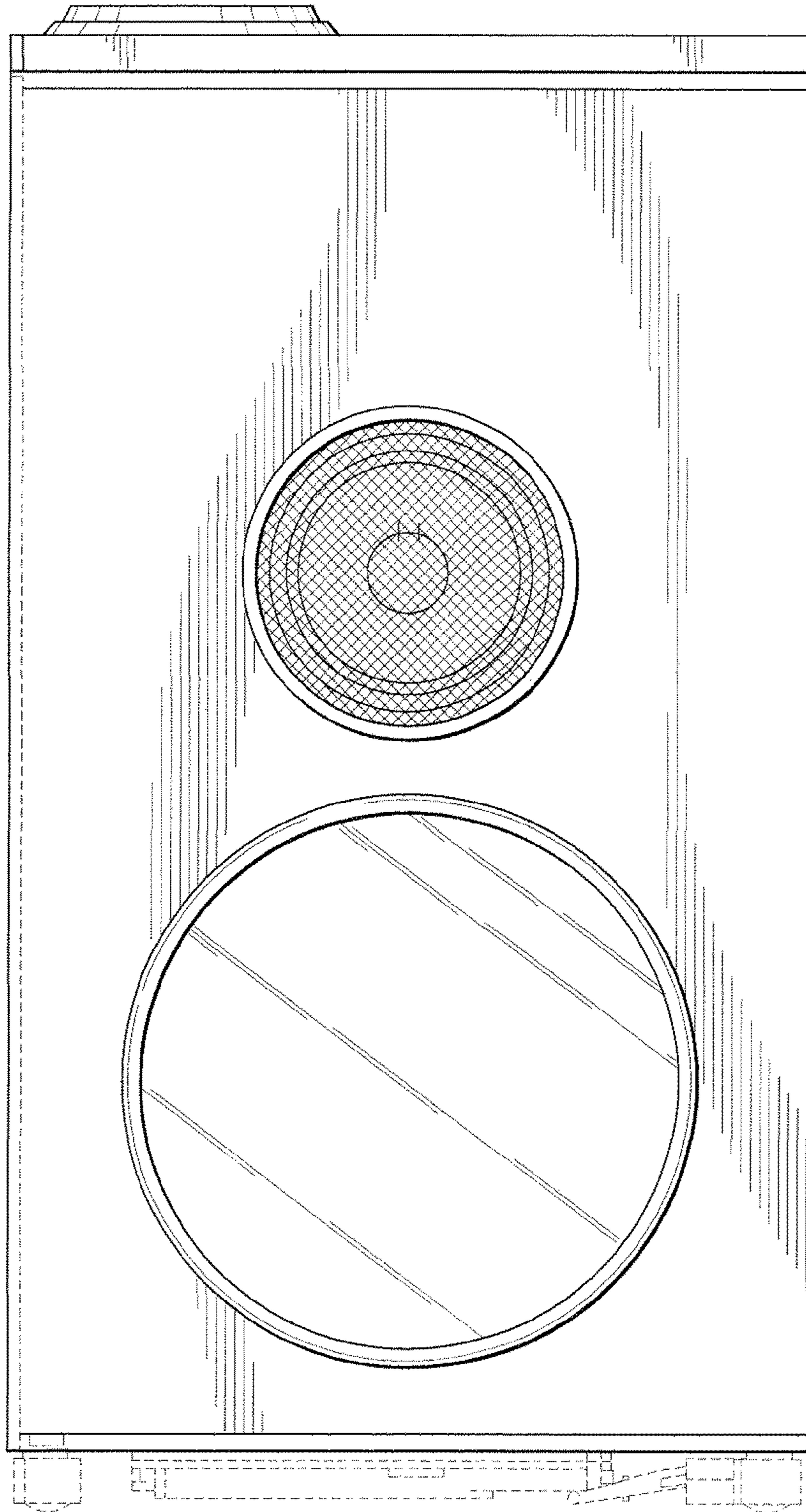


FIG. 3

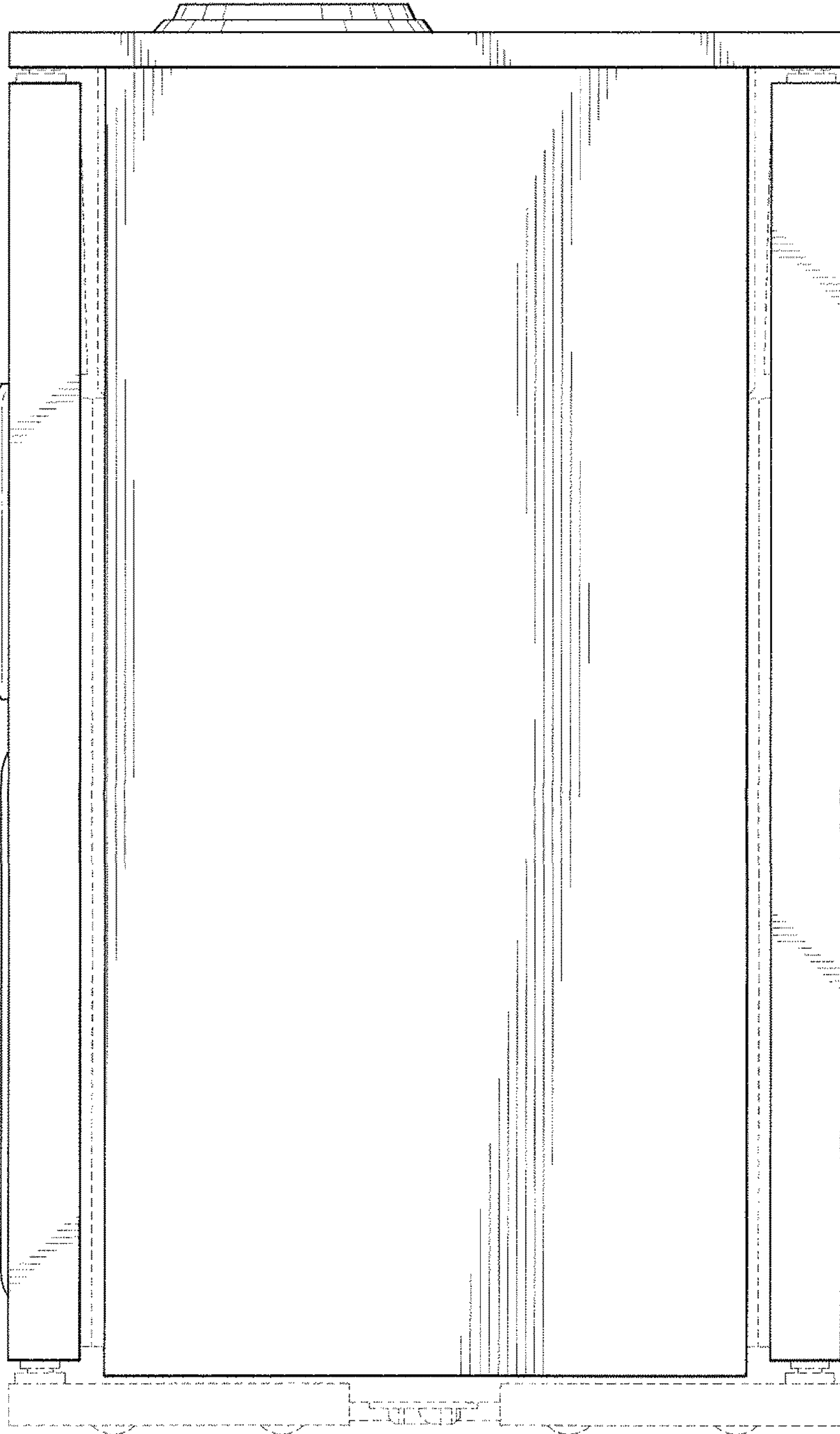


FIG. 4

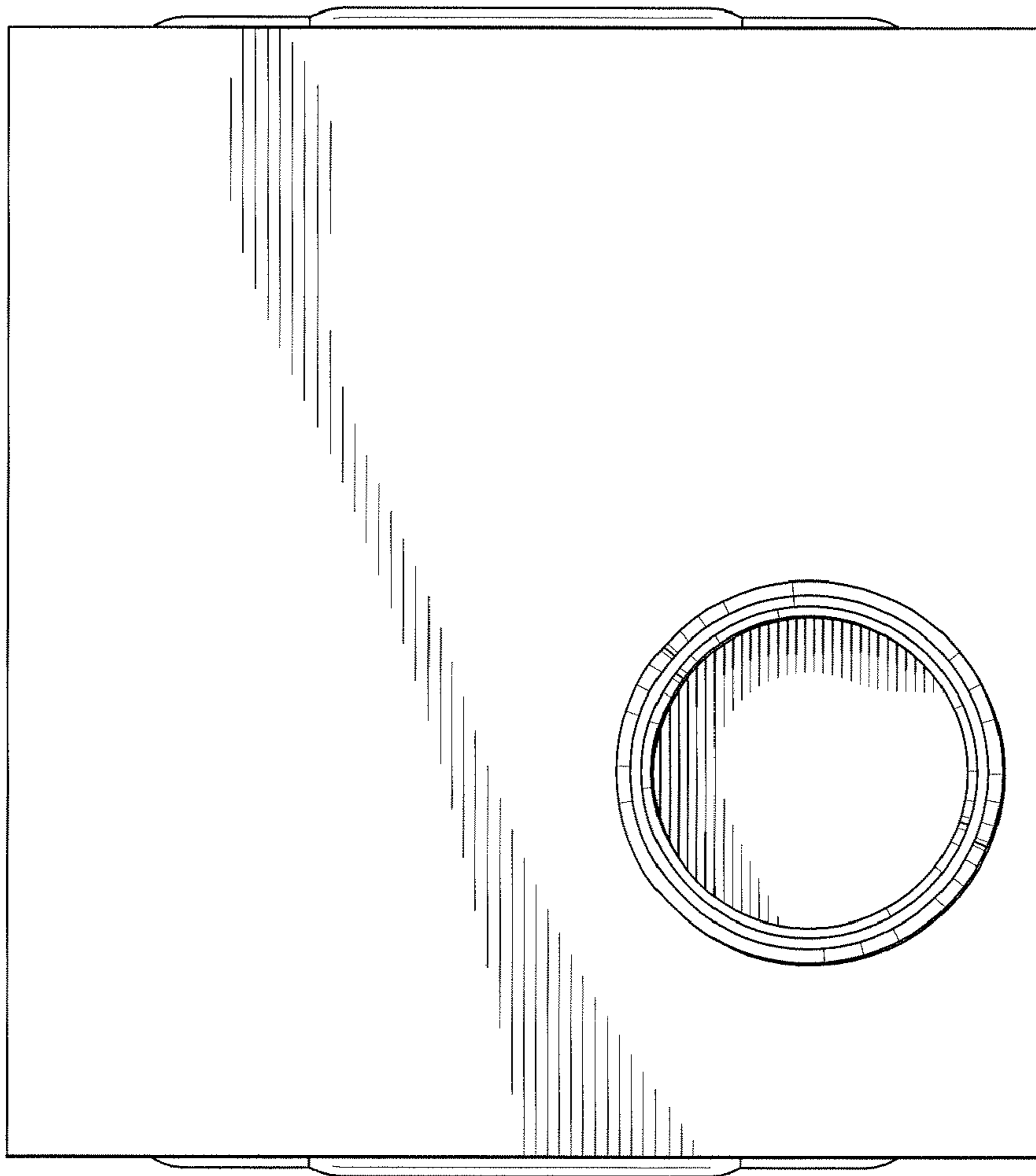


FIG. 5

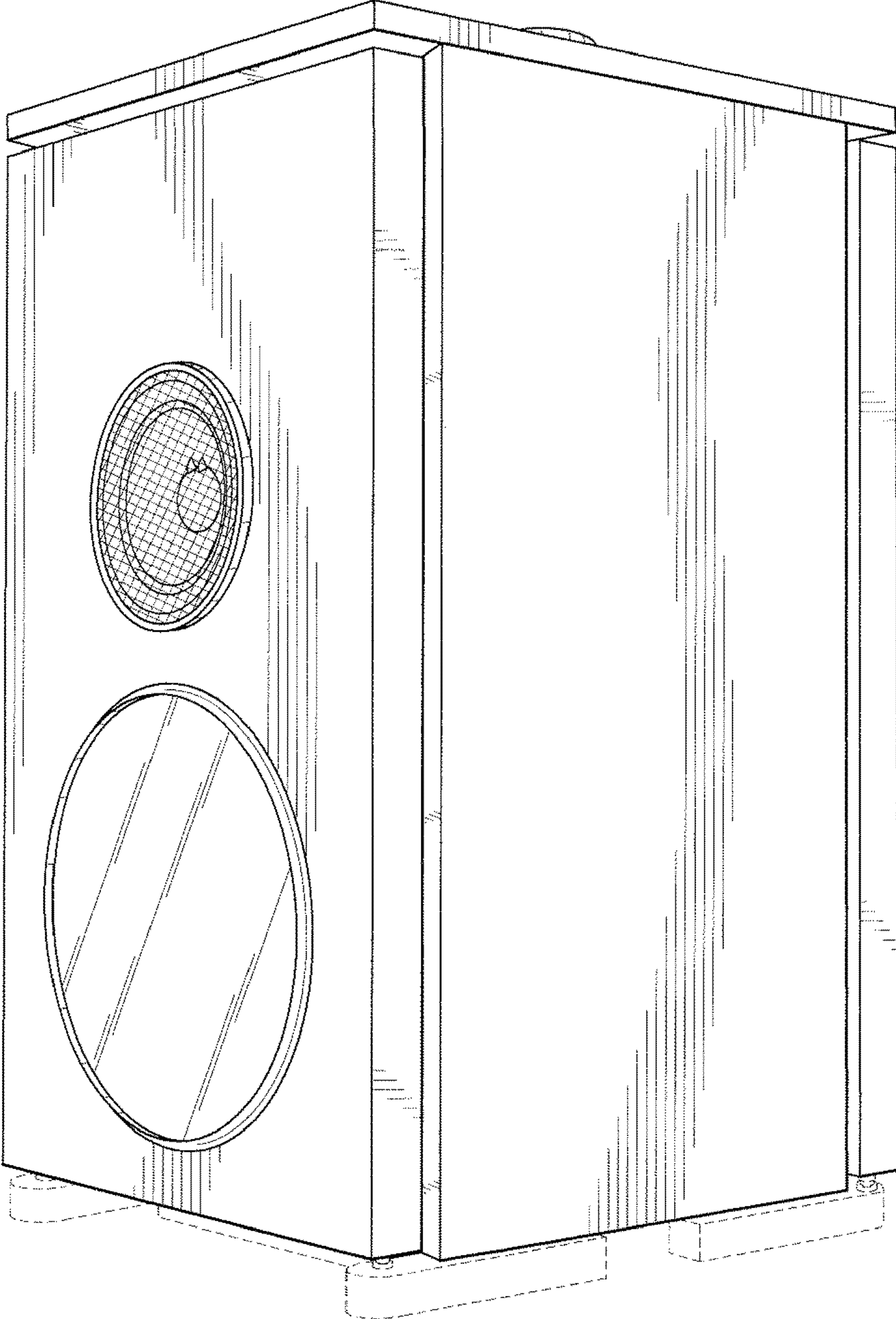


FIG. 6

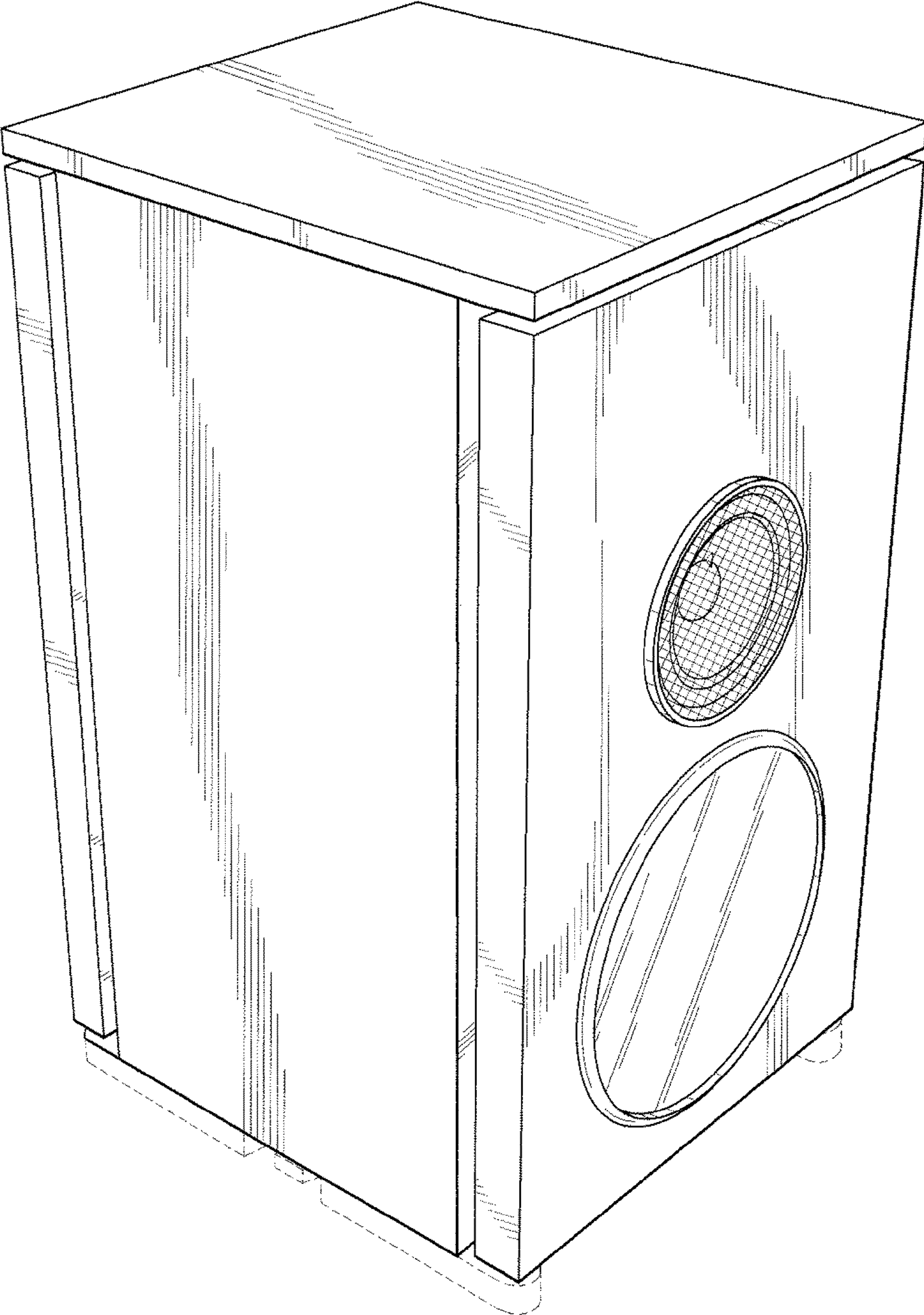


FIG. 7

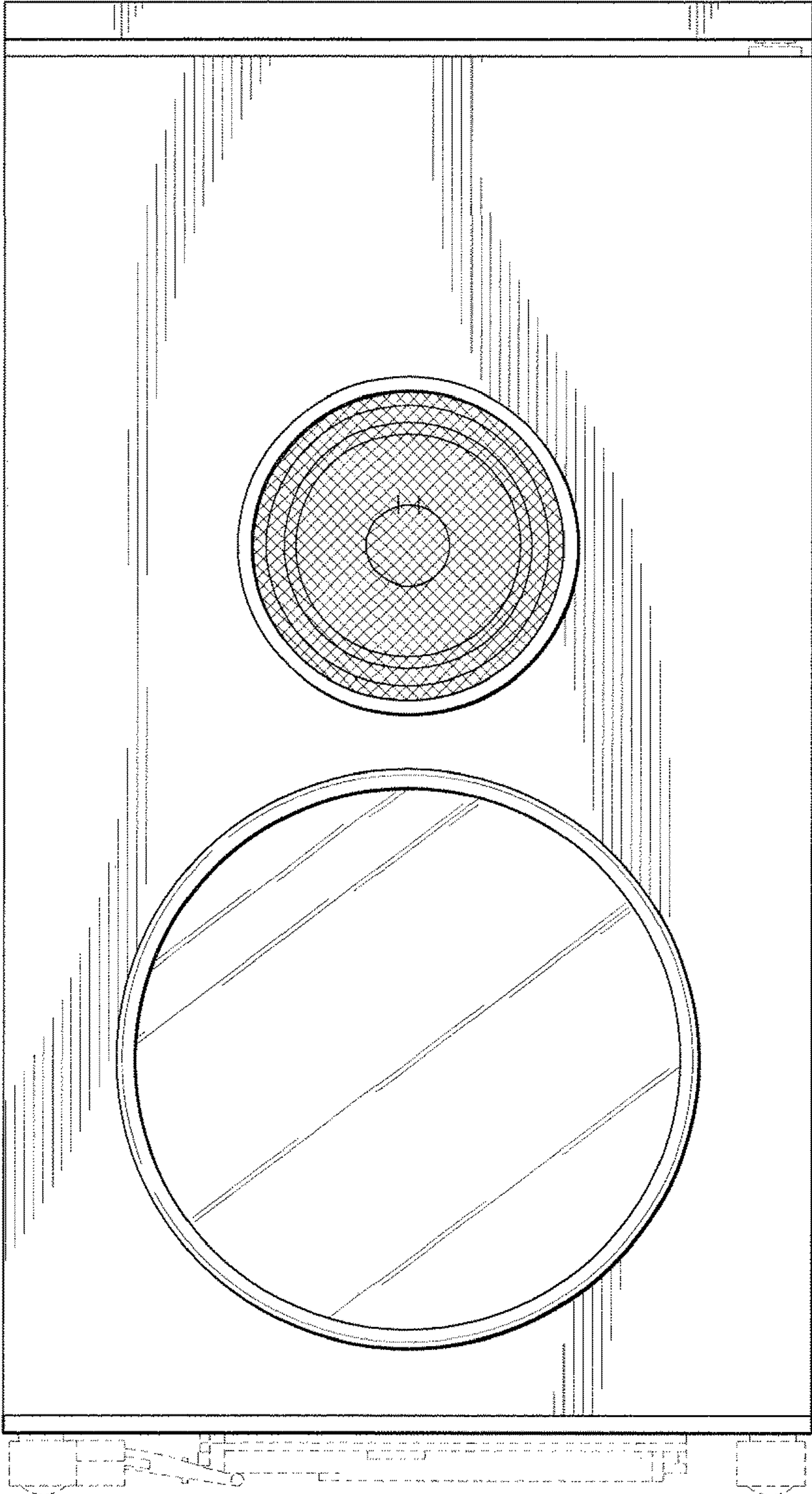


FIG. 8

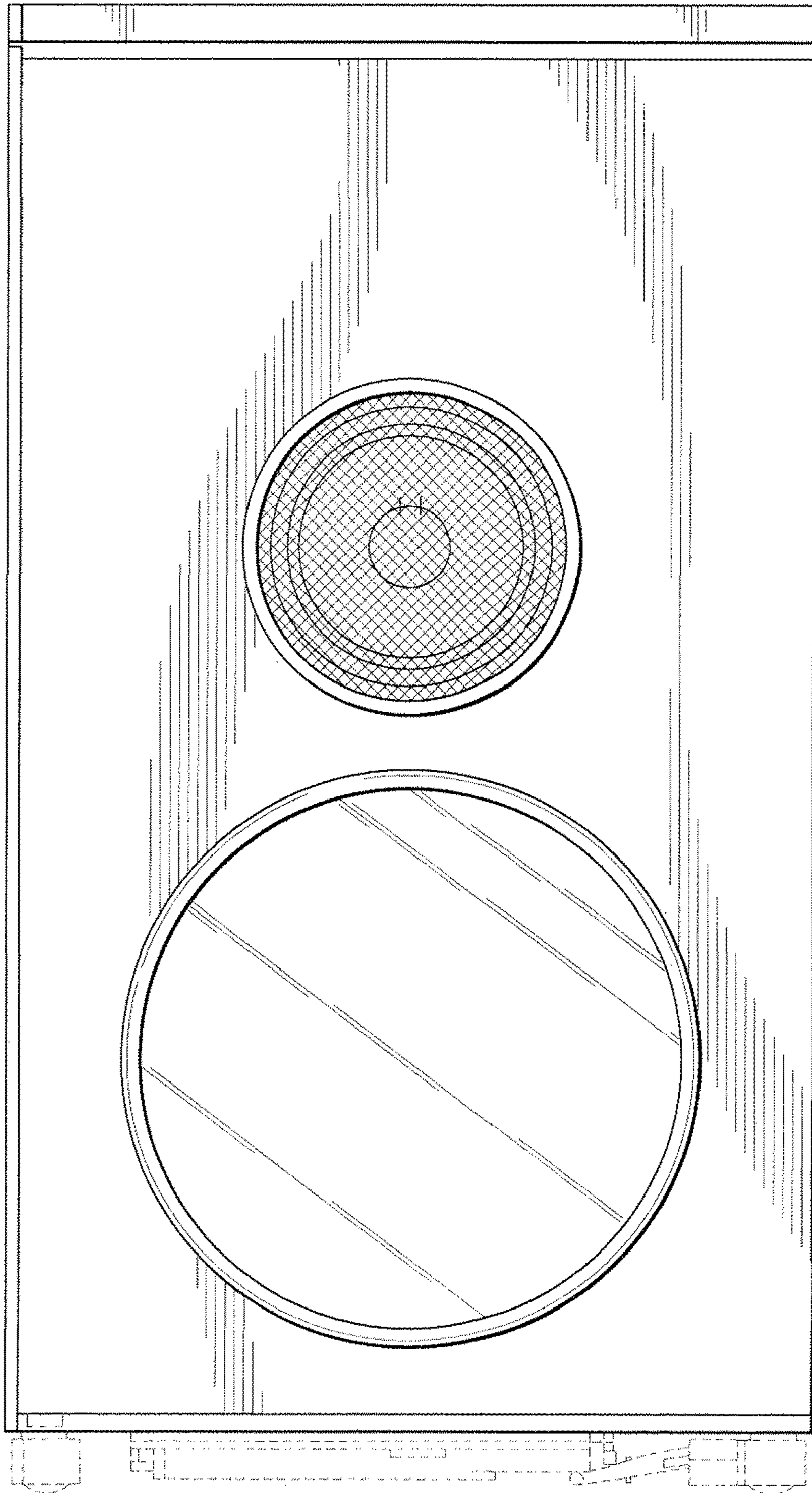


FIG. 9

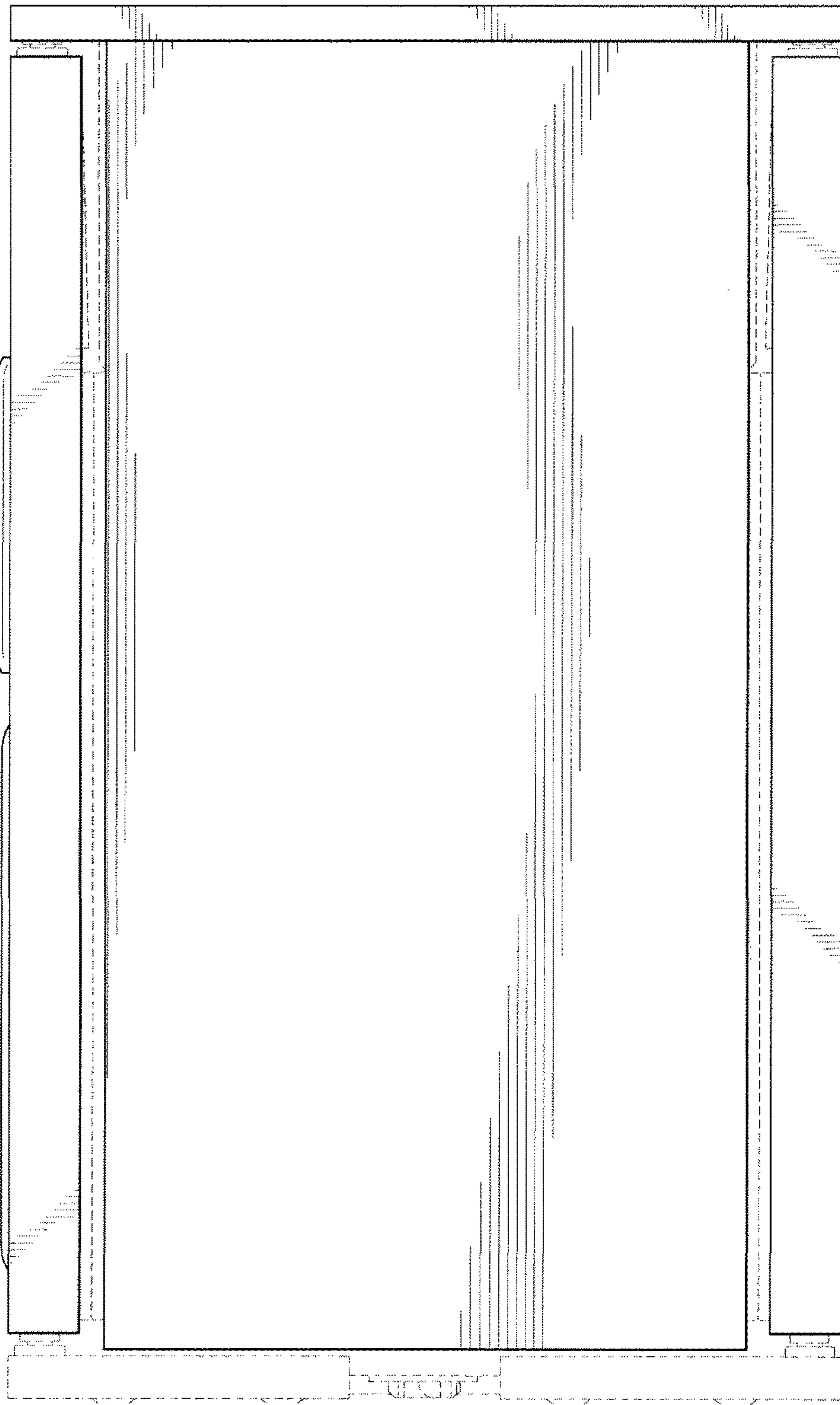


FIG. 10

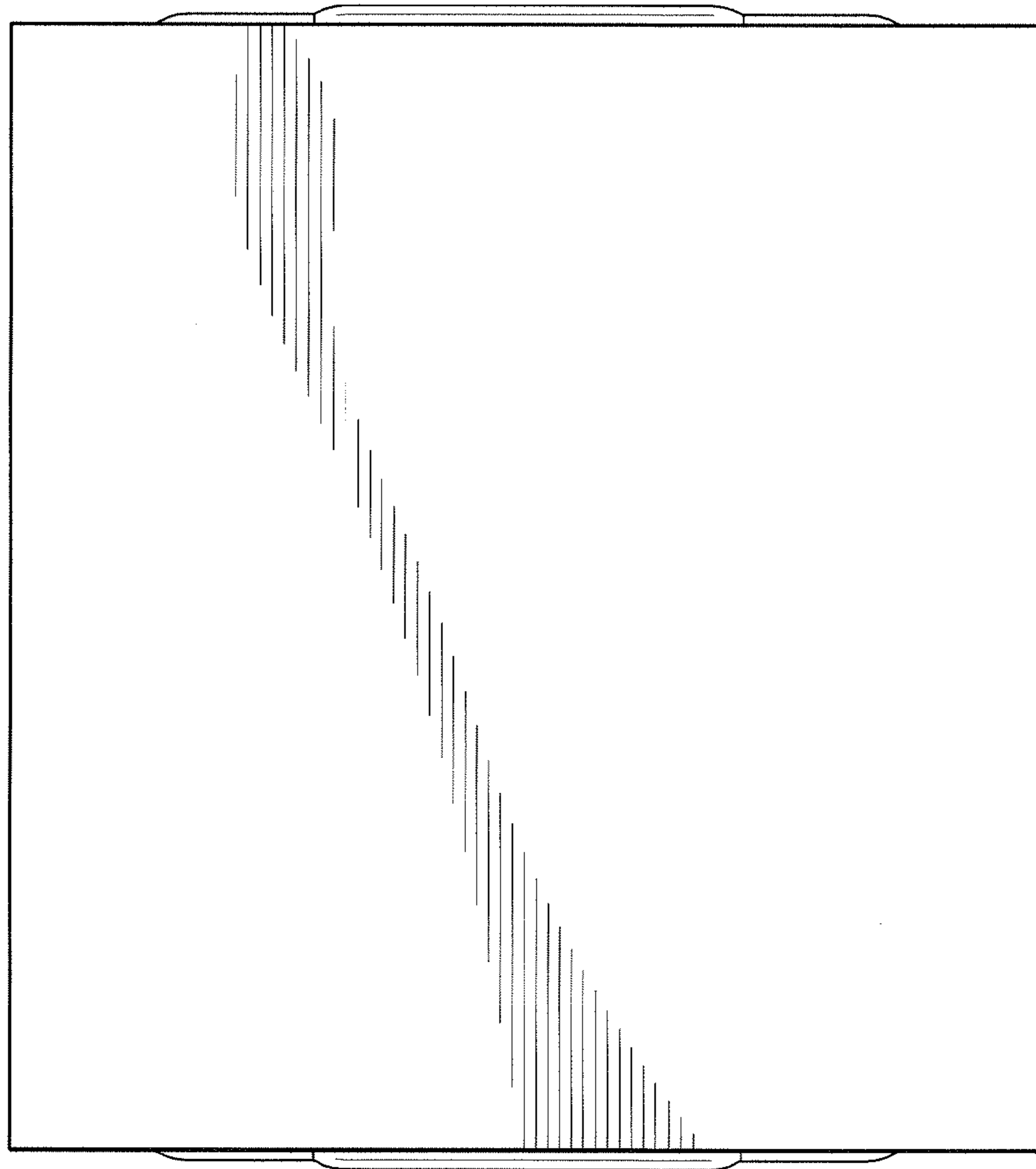


FIG. 11

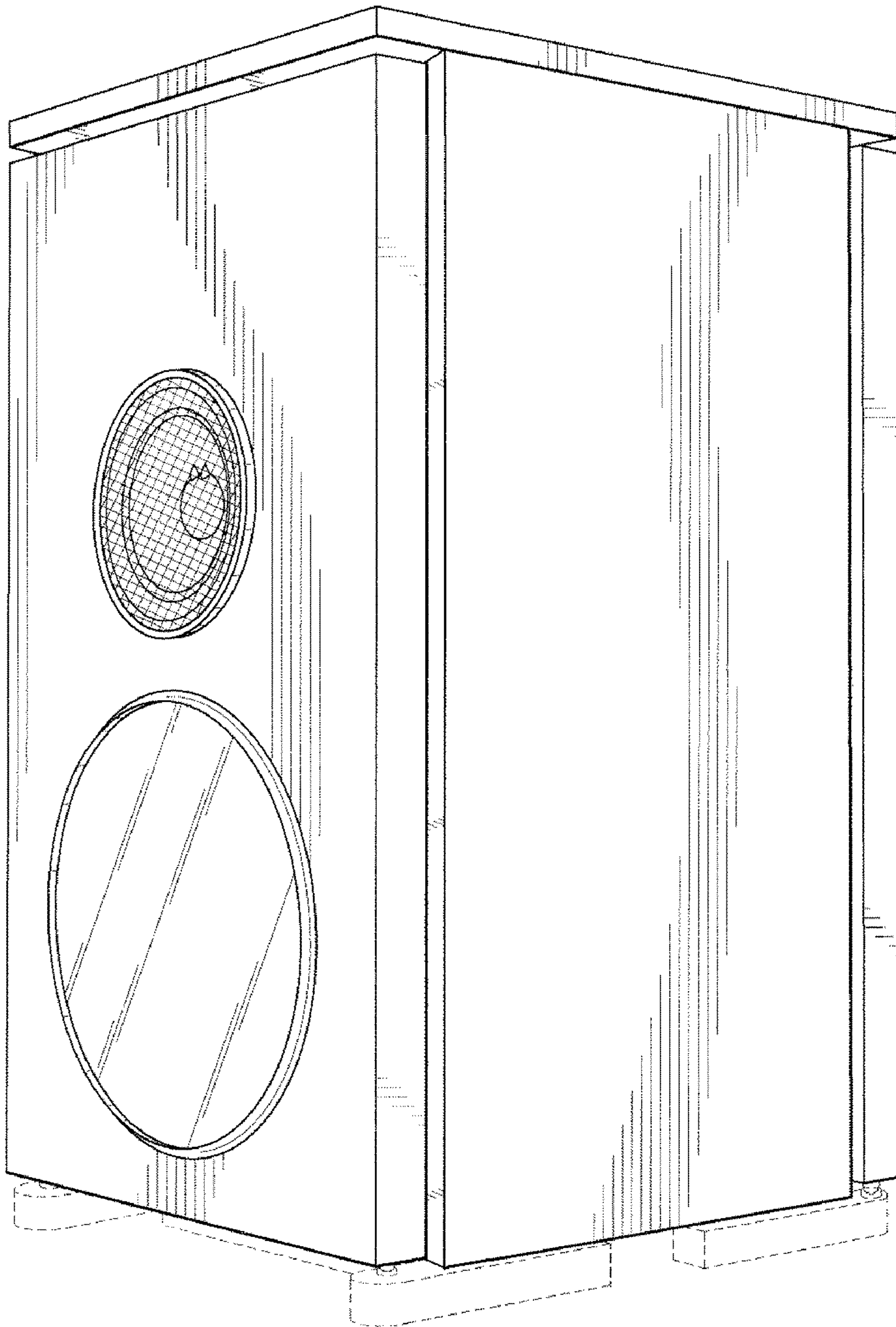


FIG. 12