

US00D654096S

(12) **United States Design Patent**  
**Hall**

(10) **Patent No.:** **US D654,096 S**

(45) **Date of Patent:** **\*\* Feb. 14, 2012**

(54) **MINING TRAY**

(75) **Inventor:** **Jamie Vincent Clarke Hall**, Thornlie (AU)

(73) **Assignee:** **Austin Engineering Ltd.**, Kewdale (AU)

(\*\*) **Term:** **14 Years**

(21) **Appl. No.:** **29/385,648**

(22) **Filed:** **Feb. 17, 2011**

(30) **Foreign Application Priority Data**

Aug. 18, 2010 (AU) ..... 13545/2010

(51) **LOC (9) Cl.** ..... **15-03**

(52) **U.S. Cl.** ..... **D15/21; D12/15; D12/96**

(58) **Field of Classification Search** ..... D15/21,  
D15/138, 28, 33, 10, 22-26; D12/15, 98,  
D12/93; 414/476, 477, 480; 298/11, 30,  
298/31, 32, 23 C, 23 M; 296/56, 57.1, 52,  
296/51, 184

See application file for complete search history.

(56) **References Cited**

**U.S. PATENT DOCUMENTS**

D118,033 S *	12/1939	Alexander	.....	D12/15
D172,979 S *	9/1954	Mortag	.....	D12/15
D189,025 S *	10/1960	Acker	.....	D12/15
D190,023 S *	4/1961	Parsley et al.	.....	D12/15
D198,841 S *	8/1964	Simmons et al.	.....	D15/33
D204,604 S *	5/1966	Fryer	.....	D12/15
D206,708 S *	1/1967	Maxon, Jr.	.....	D12/15
3,521,930 A *	7/1970	Tucker	.....	298/24

D268,830 S *	5/1983	Sutela	.....	D12/93
D289,748 S *	5/1987	Proeschl	.....	D12/15
D386,128 S *	11/1997	Gerding et al.	.....	D12/93
D386,722 S *	11/1997	Dunphy	.....	D12/93
5,772,271 A *	6/1998	Sanders	.....	296/32
D409,524 S *	5/1999	McKinney	.....	D12/93
D414,138 S *	9/1999	McKinney	.....	D12/98
D425,825 S *	5/2000	Shambeau et al.	.....	D12/93
D429,662 S *	8/2000	Smith et al.	.....	D12/93
D431,498 S *	10/2000	Smith et al.	.....	D12/93
D450,627 S *	11/2001	Musso et al.	.....	D12/15
D466,135 S *	11/2002	Spomer et al.	.....	D15/33
D476,999 S *	7/2003	Truan et al.	.....	D15/28
D606,565 S *	12/2009	Hickenbottom	.....	D15/28

\* cited by examiner

*Primary Examiner* — Mark Goodwin

(74) *Attorney, Agent, or Firm* — Rothwell, Figg, Ernst & Manbeck, P.C.

(57) **CLAIM**

The ornamental design for a mining tray, as shown and described.

**DESCRIPTION**

FIG. 1 is a top perspective view of a mining tray showing my new design;

FIG. 2 is a bottom perspective view thereof;

FIG. 3 is a left side view thereof;

FIG. 4 is a right side view thereof;

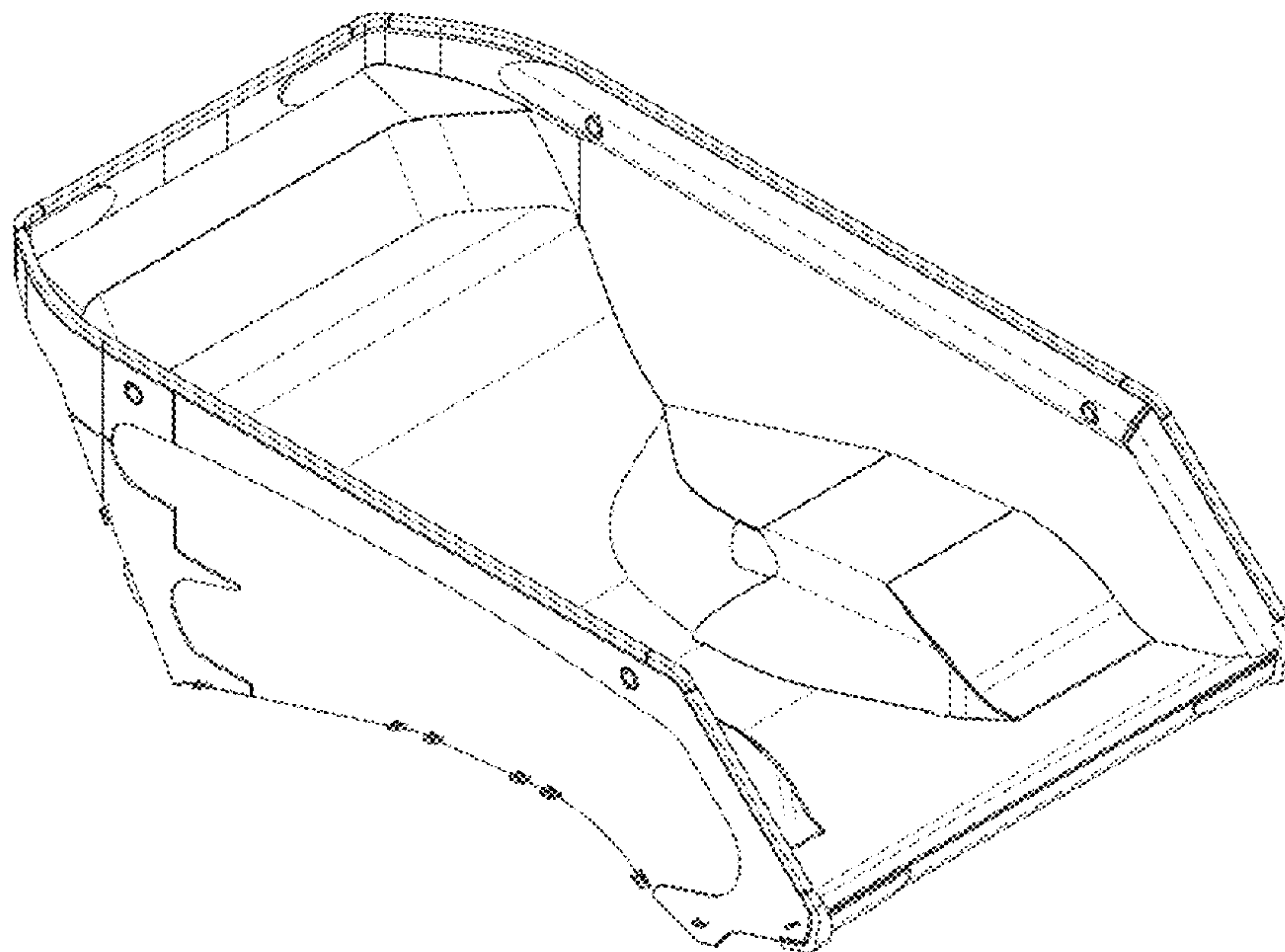
FIG. 5 is a top plan view thereof;

FIG. 6 is a bottom plan view thereof;

FIG. 7 is a rear view thereof; and,

FIG. 8 is a front view thereof.

**1 Claim, 5 Drawing Sheets**



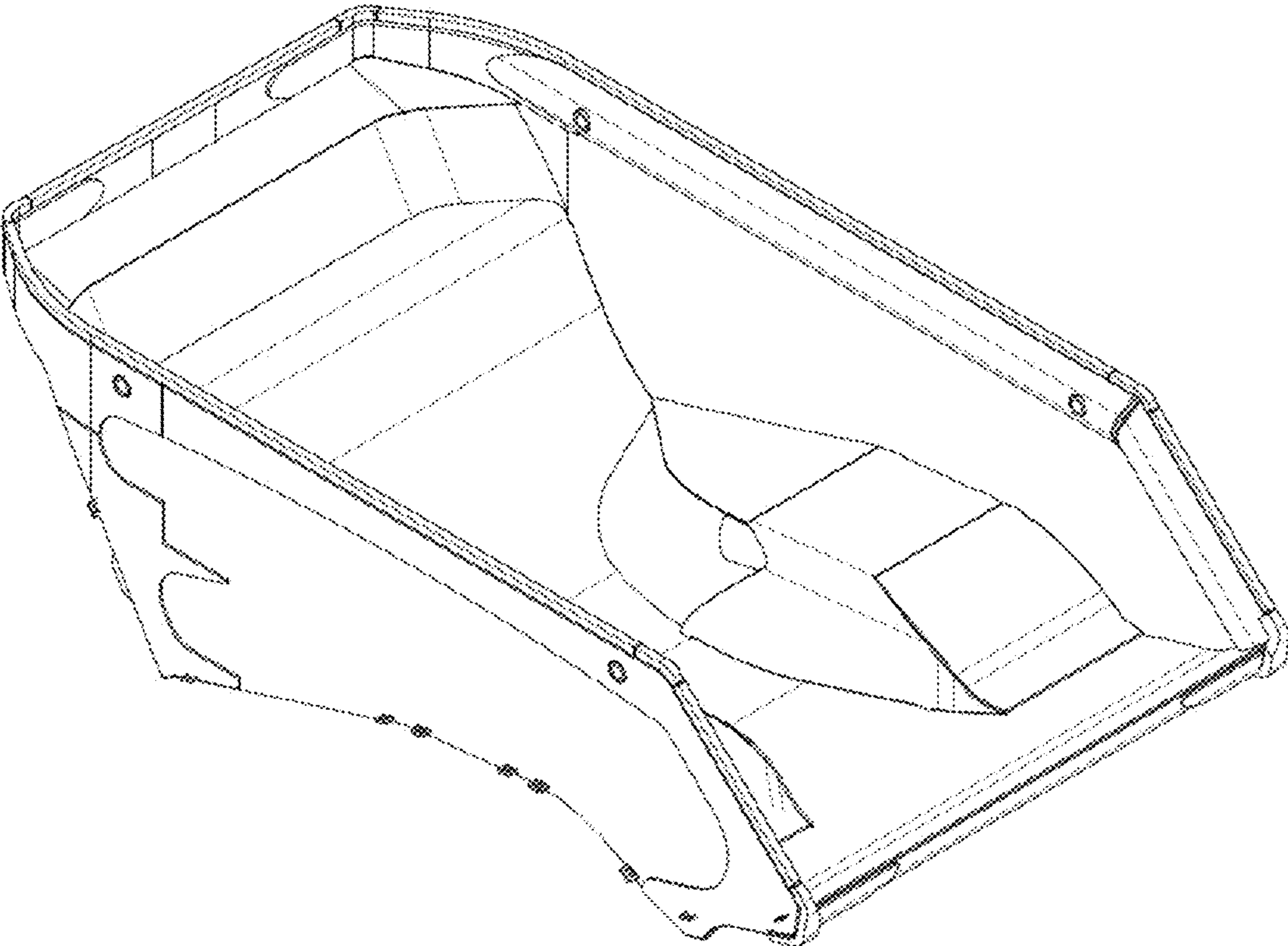


Fig. 1

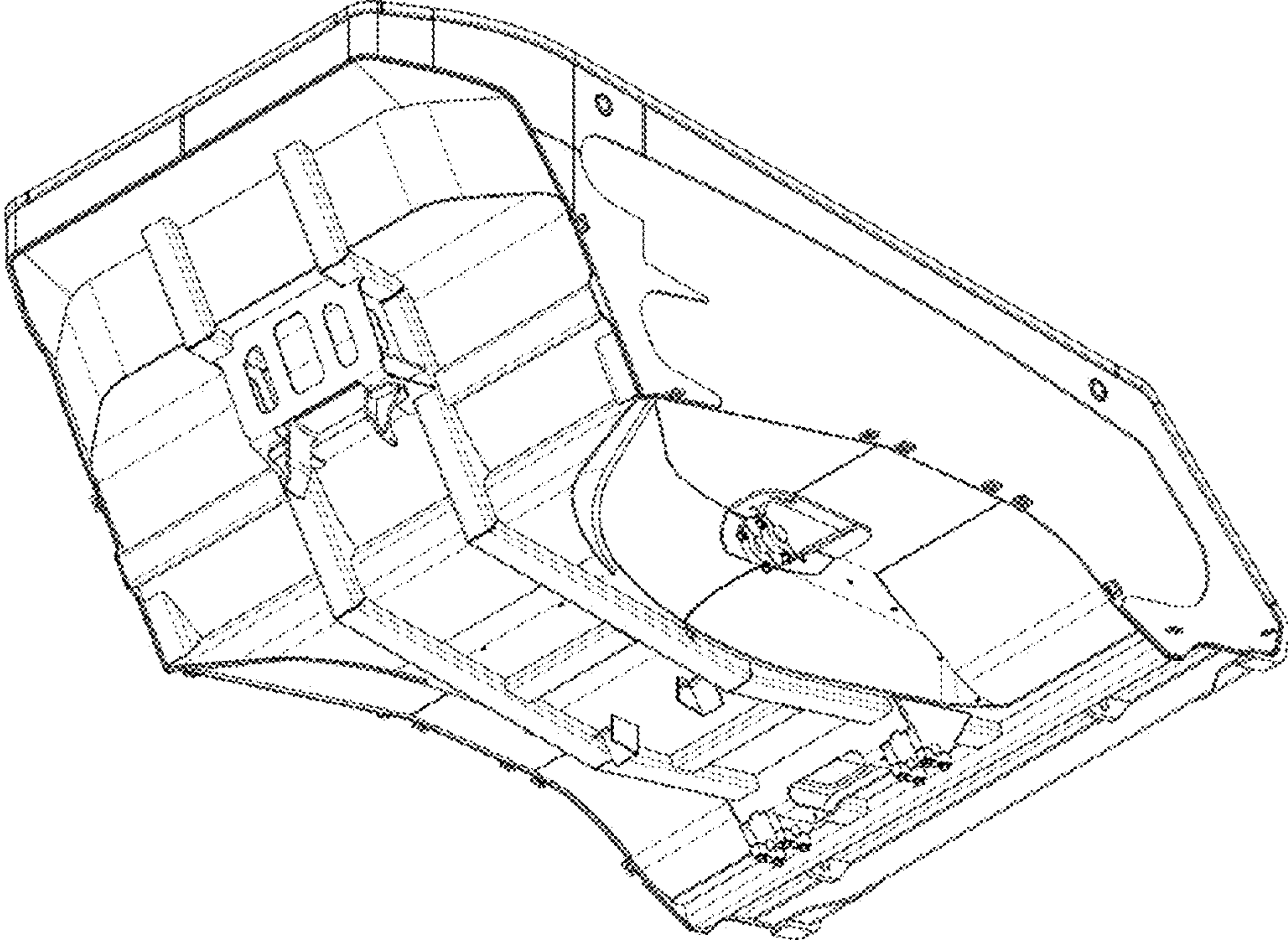


Fig. 2

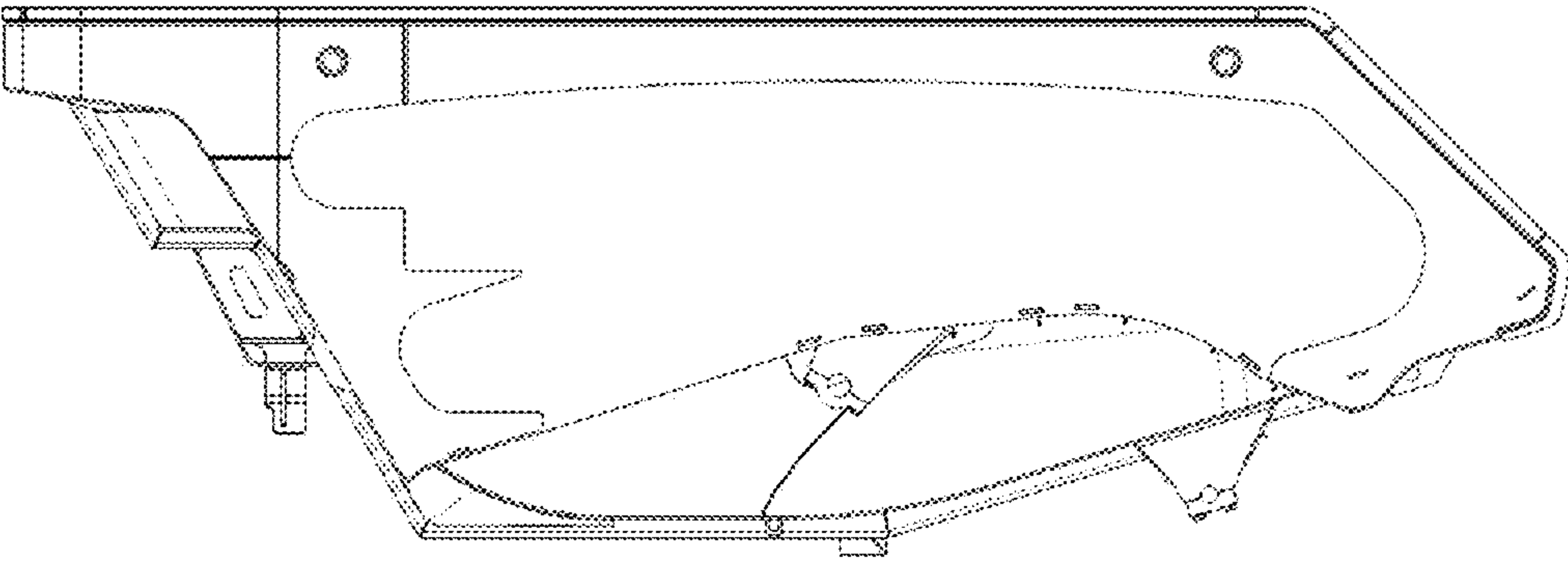


Fig. 3

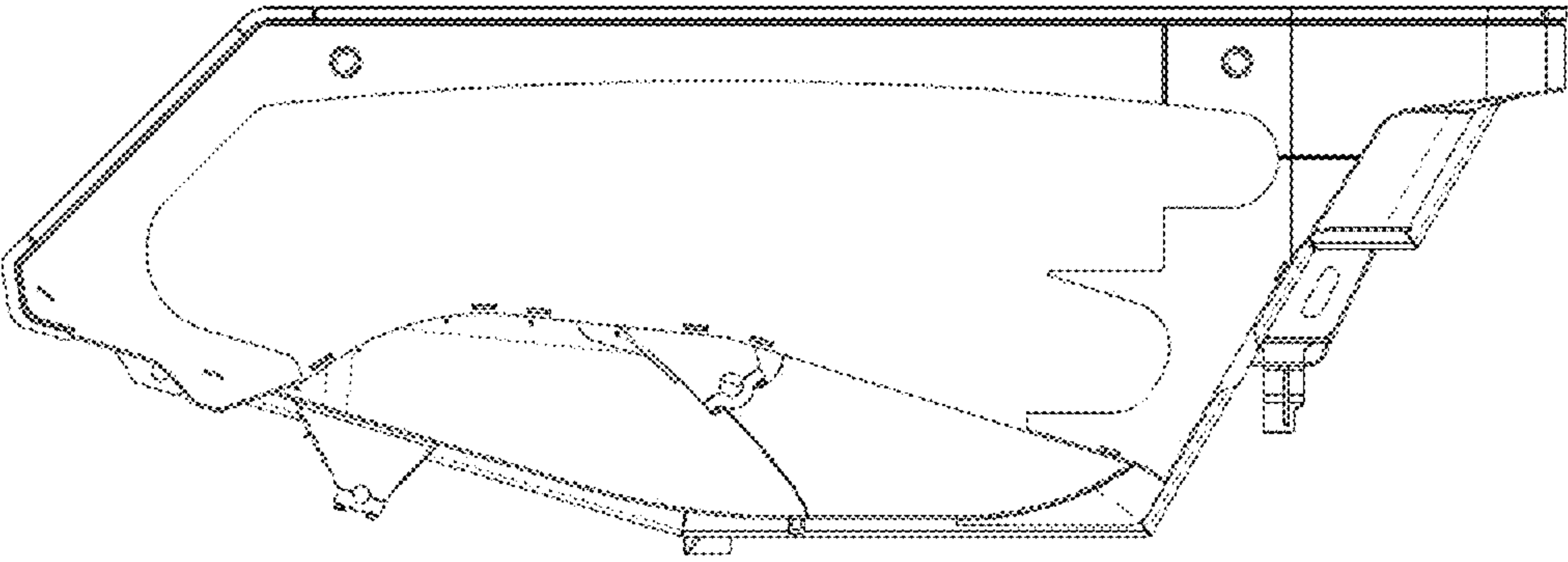


Fig. 4



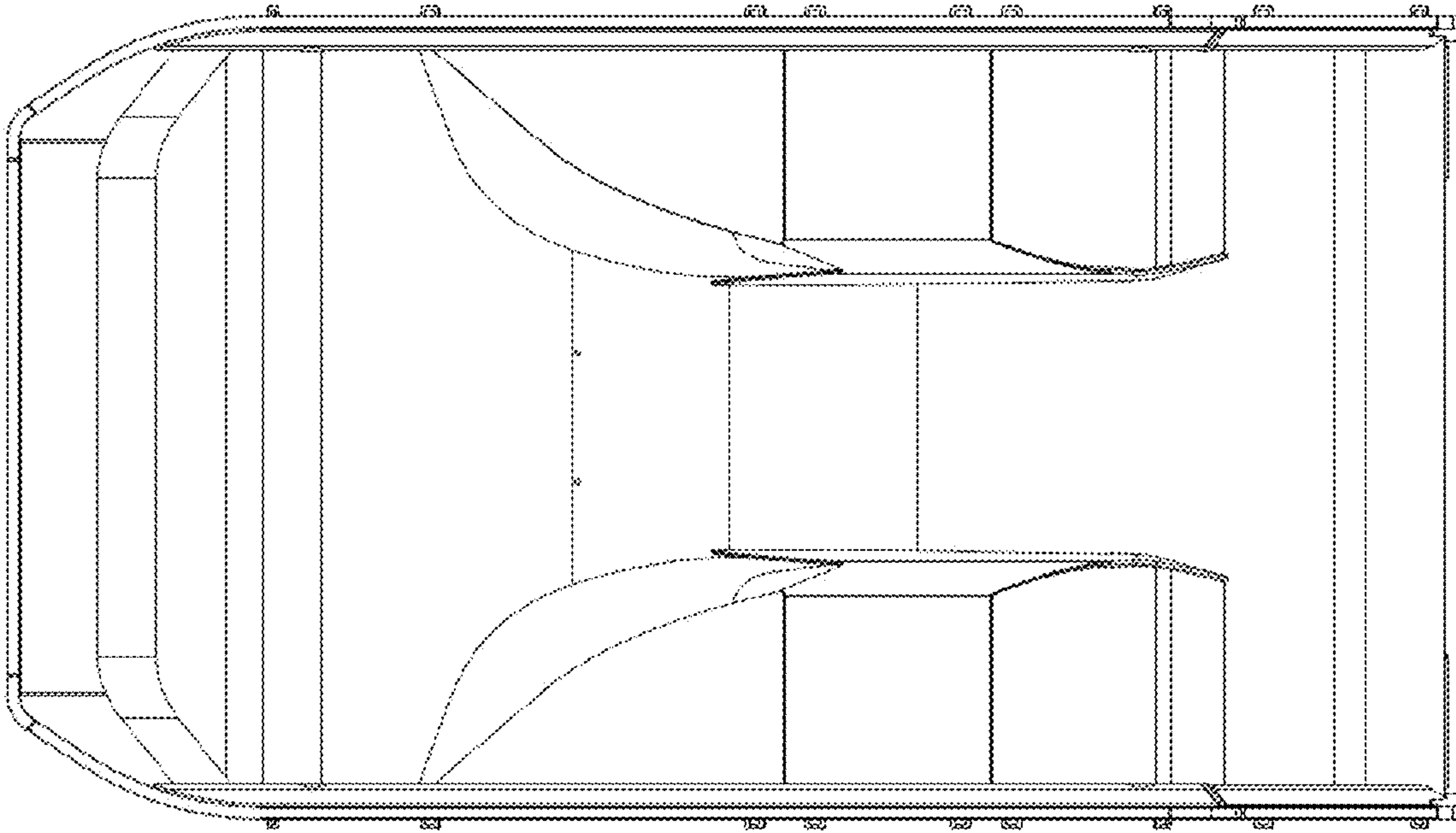


Fig. 5

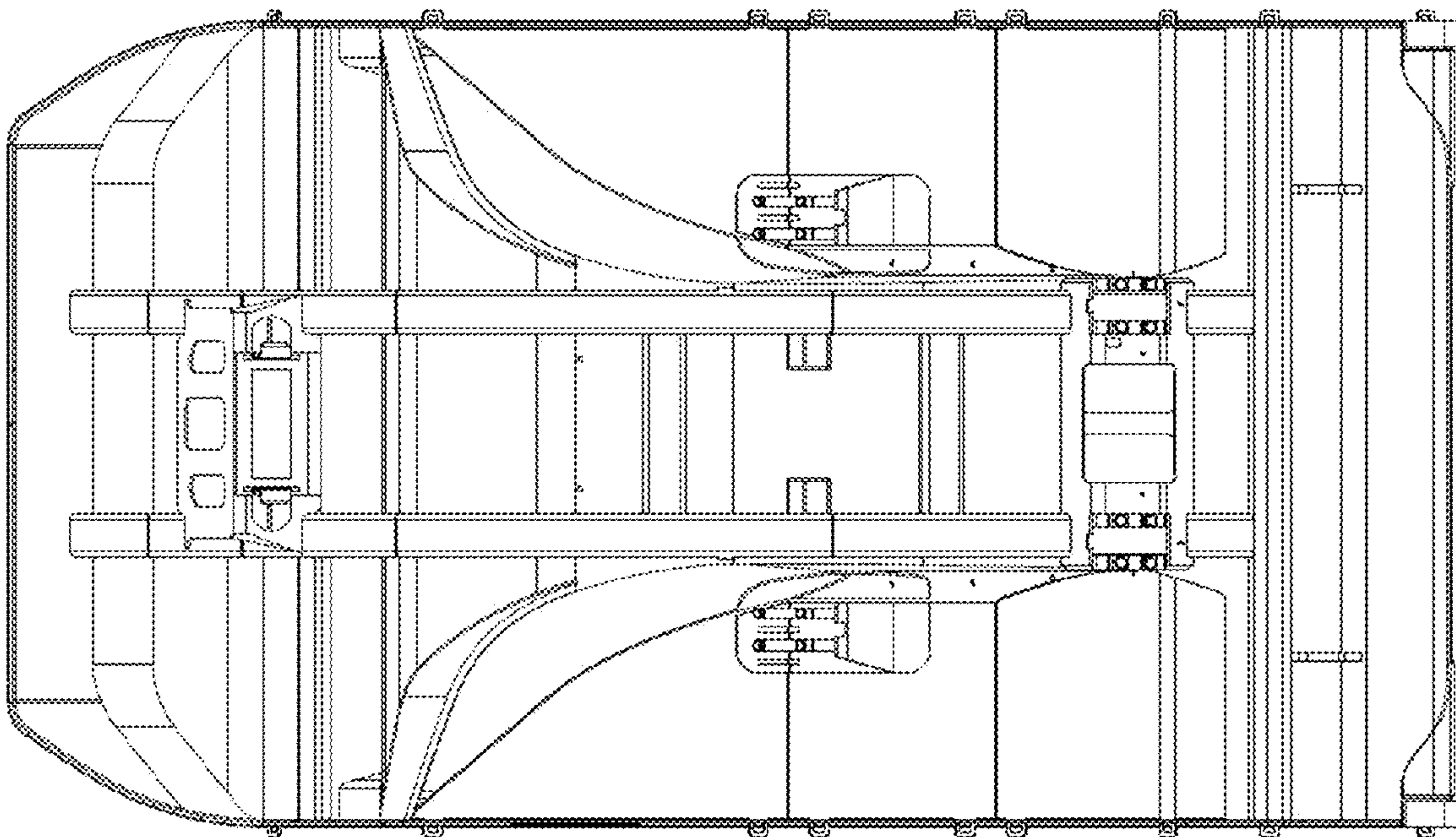


Fig. 6

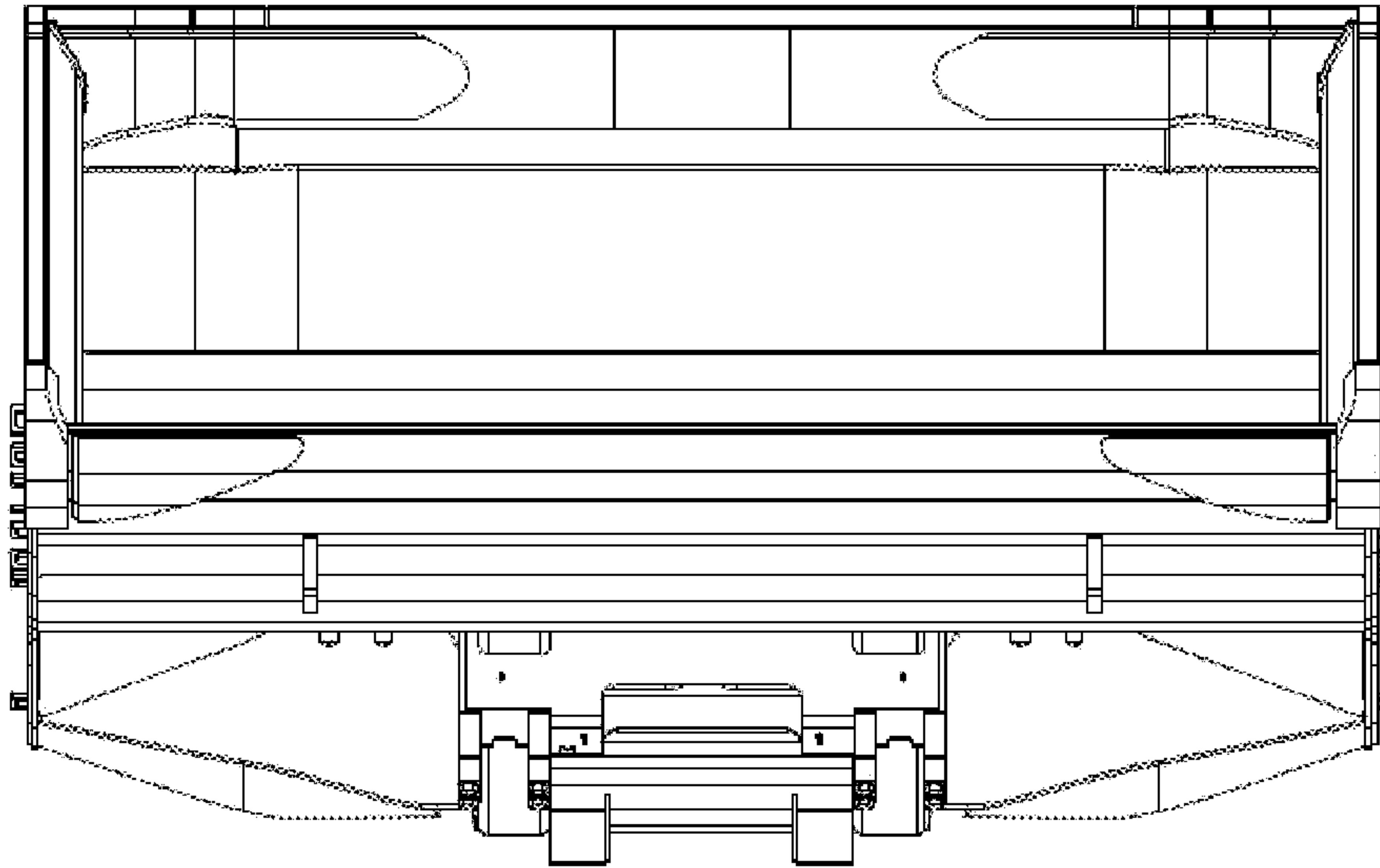


Fig. 7

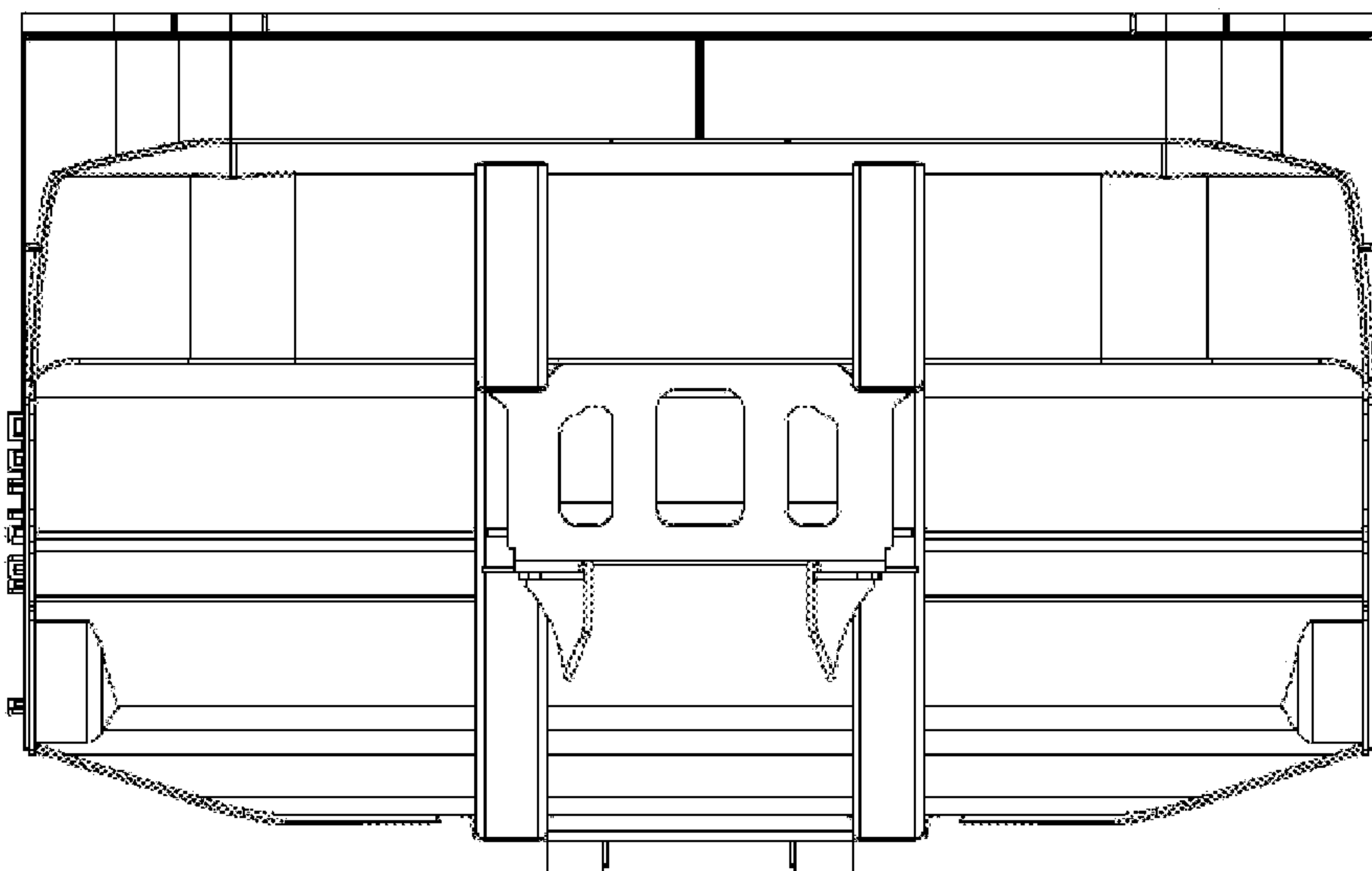


Fig. 8