



US00D654094S

(12) **United States Design Patent**
Dralle

(10) **Patent No.:** **US D654,094 S**

(45) **Date of Patent:** **** Feb. 14, 2012**

(54) **INTAKE MANIFOLD**

(75) **Inventor:** **James D. Dralle**, Bowling Green, KY (US)

(73) **Assignee:** **Holley Performance Products, Inc.**, Bowling Green, KY (US)

(**) **Term:** **14 Years**

(21) **Appl. No.:** **29/400,554**

(22) **Filed:** **Aug. 30, 2011**

(51) **LOC (9) Cl.** **15-01**

(52) **U.S. Cl.** **D15/5**

(58) **Field of Classification Search** D15/1-6;
23/41.73; 123/210, 41.7, 184.21, 184.61,
123/185.53, 184.57, 41.1, 572, 184.36, 184.25,
123/185.35, 184.34, 184.43, 184.48

See application file for complete search history.

(56) **References Cited**

U.S. PATENT DOCUMENTS

D224,169 S * 7/1972 Rudd D15/1
D364,628 S * 11/1995 Haller D15/5
D400,890 S * 11/1998 Gambardella D15/5

D517,567 S * 3/2006 Teeter D15/5
D580,457 S * 11/2008 Bender D15/5
D638,033 S * 5/2011 Ballard D15/5
2011/0132310 A1 * 6/2011 Born et al. 123/184.21

* cited by examiner

Primary Examiner — T. Chase Nelson

Assistant Examiner — Ania Aman

(74) *Attorney, Agent, or Firm* — Hunton & Williams LLP

(57) **CLAIM**

I claim the ornamental design for an intake manifold, as shown and described.

DESCRIPTION

FIG. 1 is a top perspective view of an intake manifold showing the claimed design.

FIG. 2 is a front view of the intake manifold of FIG. 1.

FIG. 3 is a back view of the intake manifold of FIG. 1.

FIG. 4 is a right side view of the intake manifold of FIG. 1.

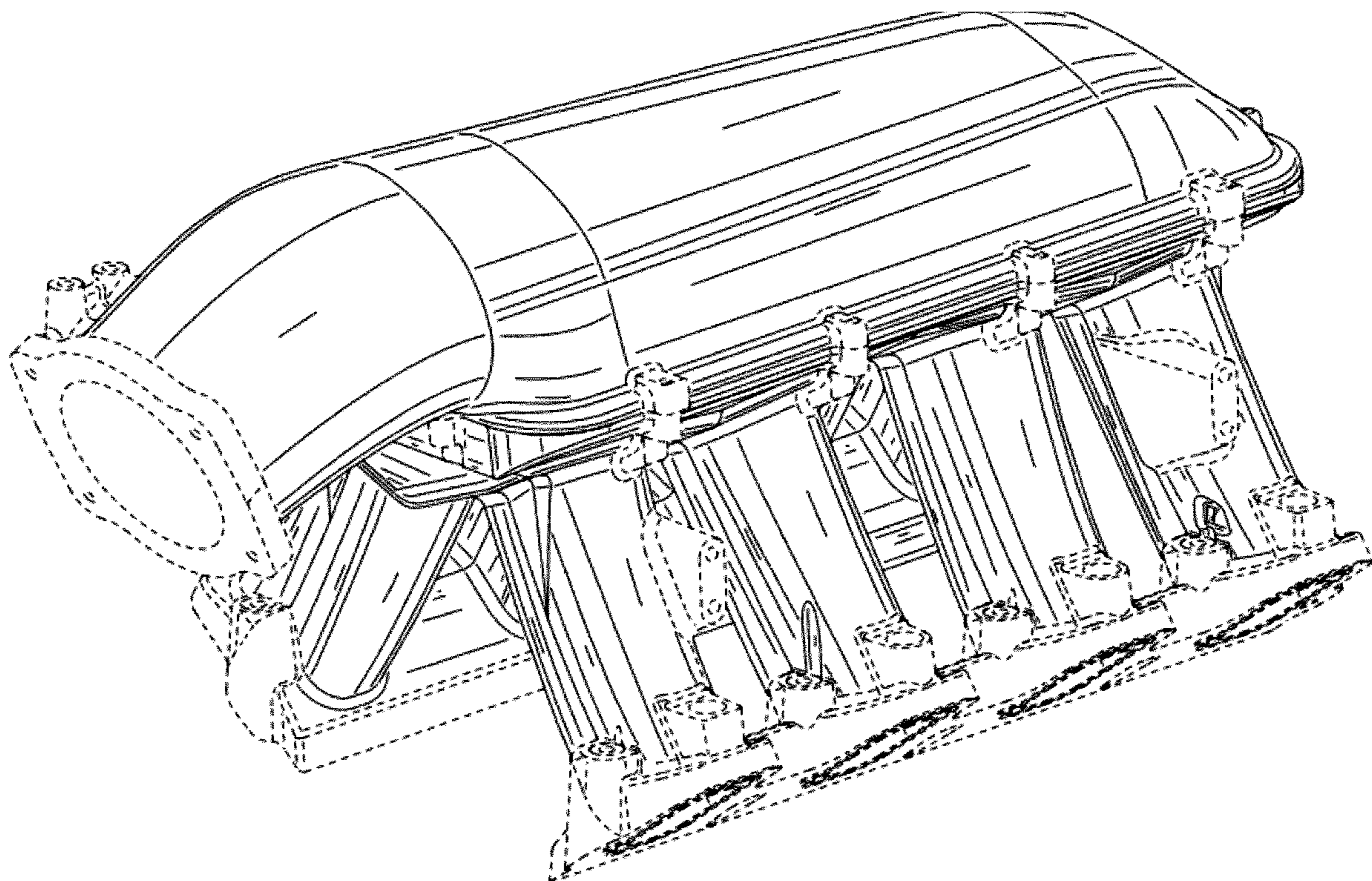
FIG. 5 is a left side view of the intake manifold of FIG. 1.

FIG. 6 is a top plan view of the intake manifold of FIG. 1; and

FIG. 7 is a bottom plan view of the intake manifold of FIG. 1.

The broken lines used in the figures are for illustrative purposes only and form no part of the claimed design.

1 Claim, 7 Drawing Sheets



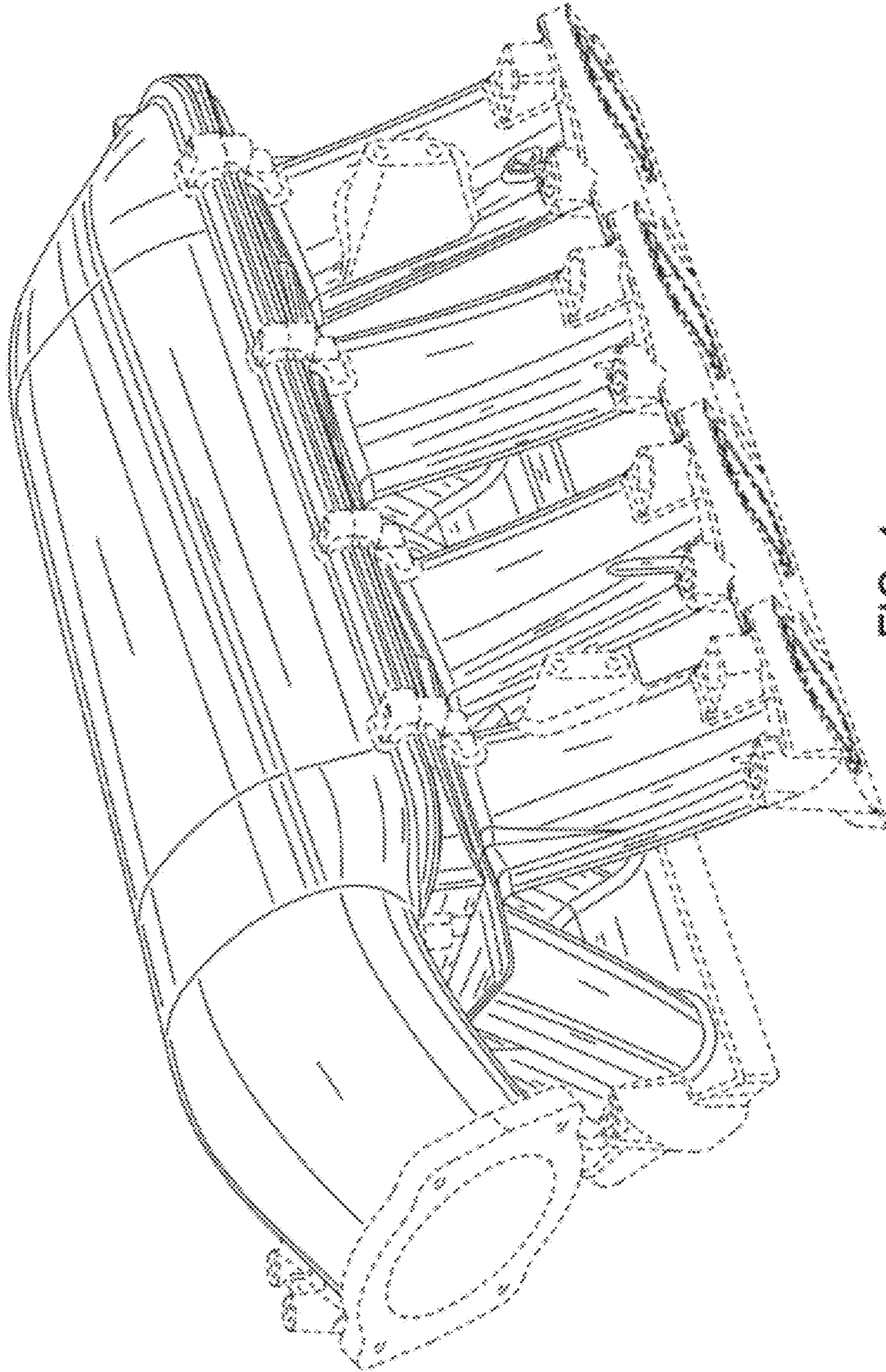


FIG. 1

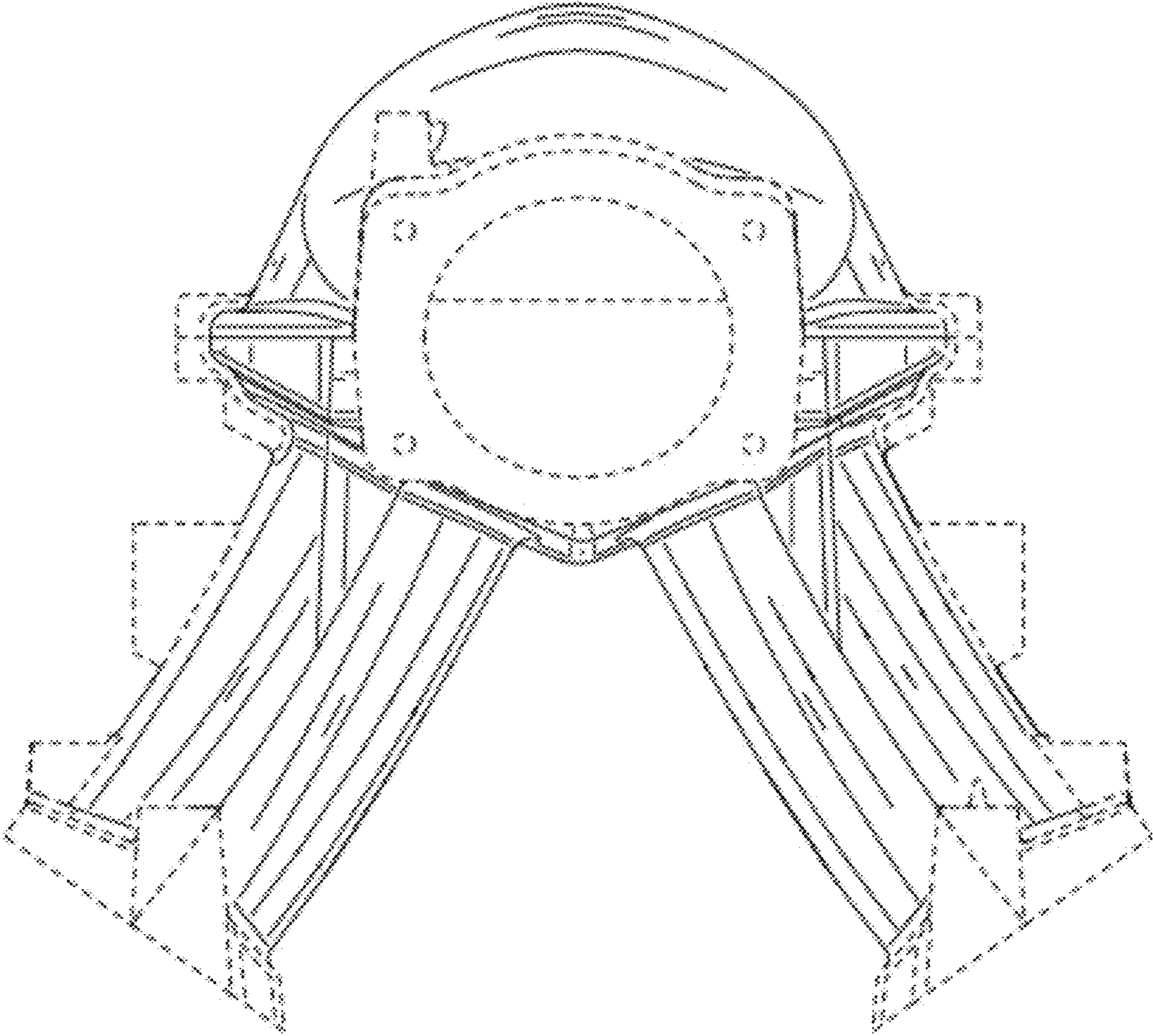


FIG. 2

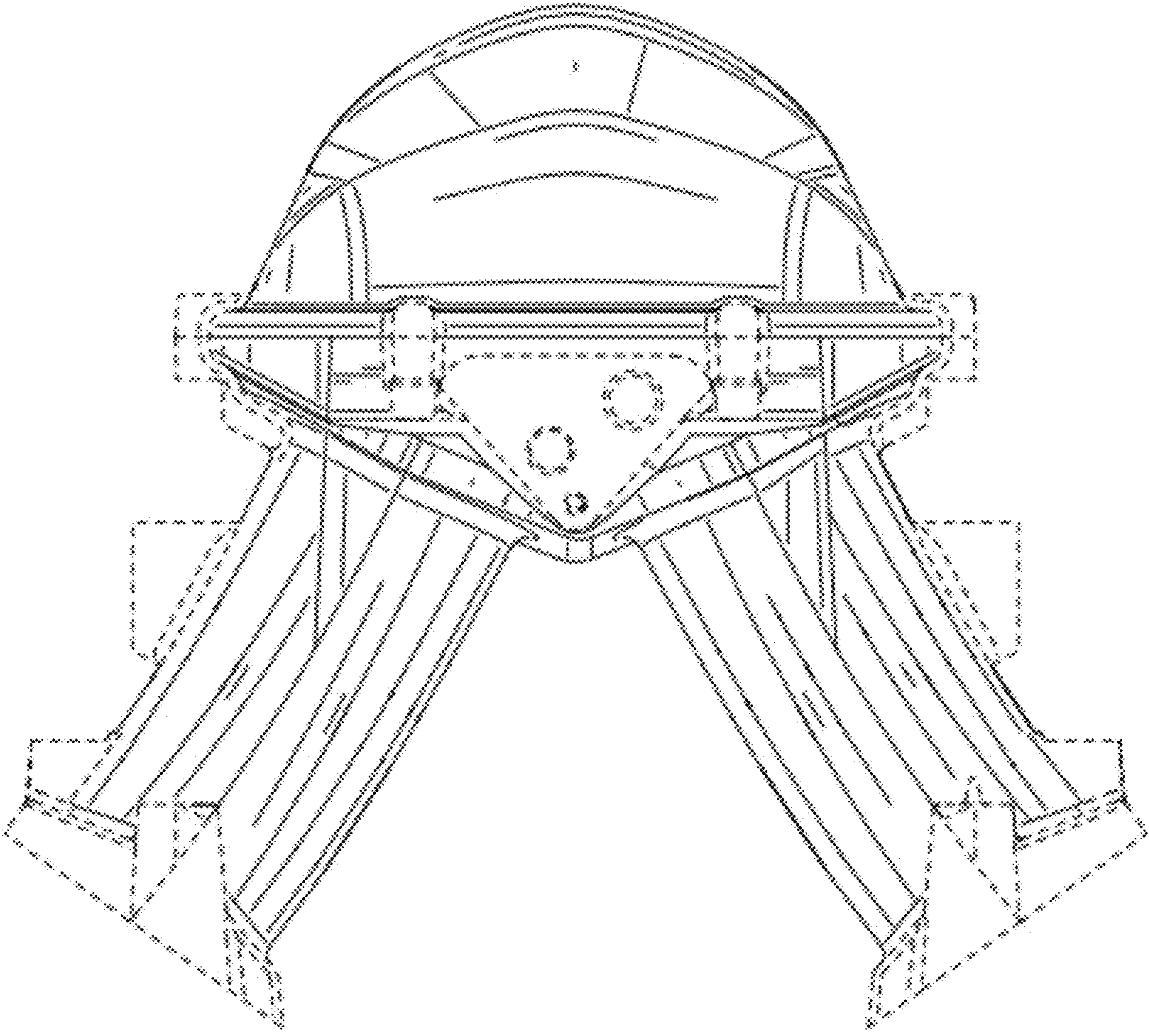


FIG. 3

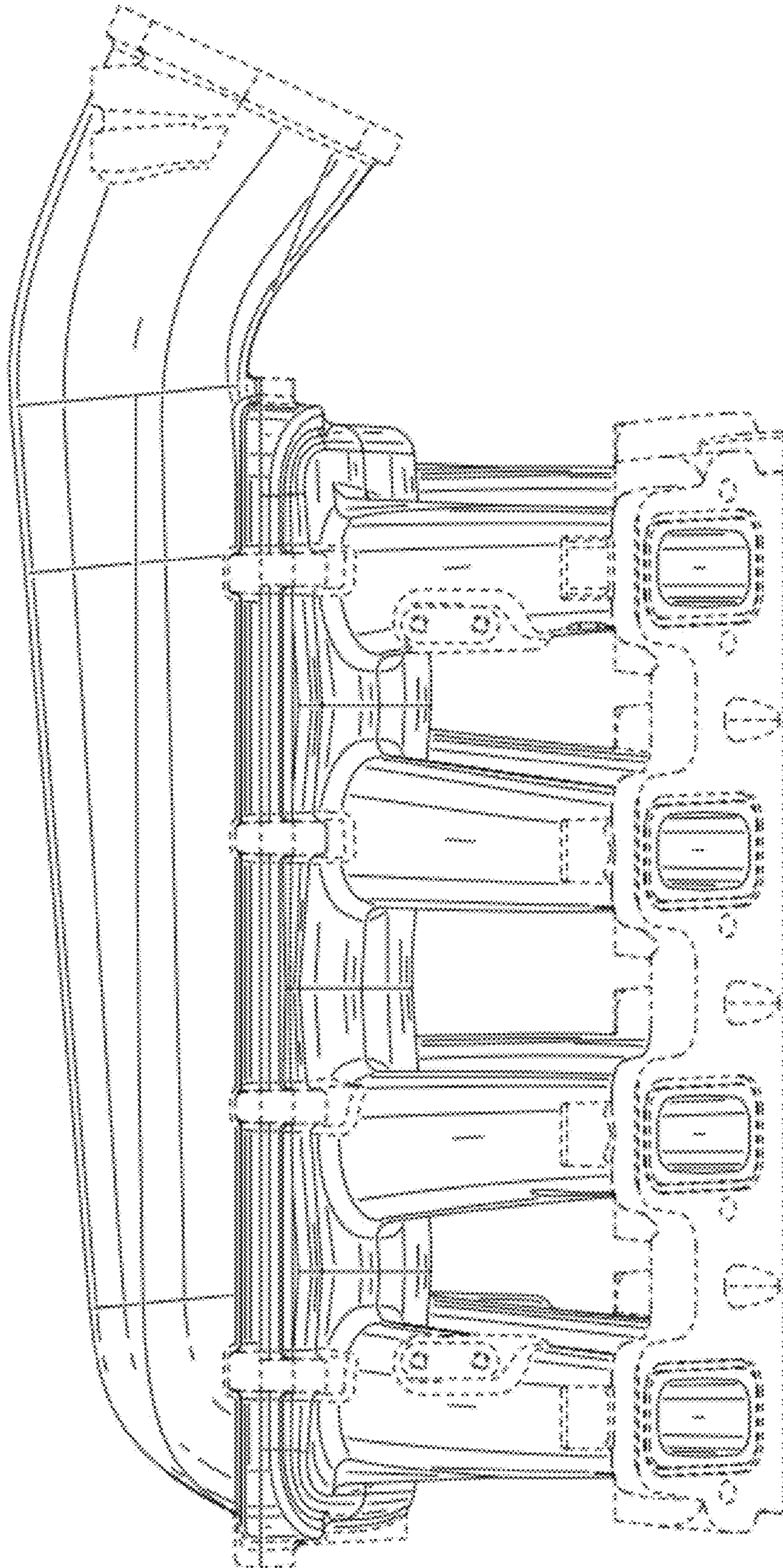


FIG. 4

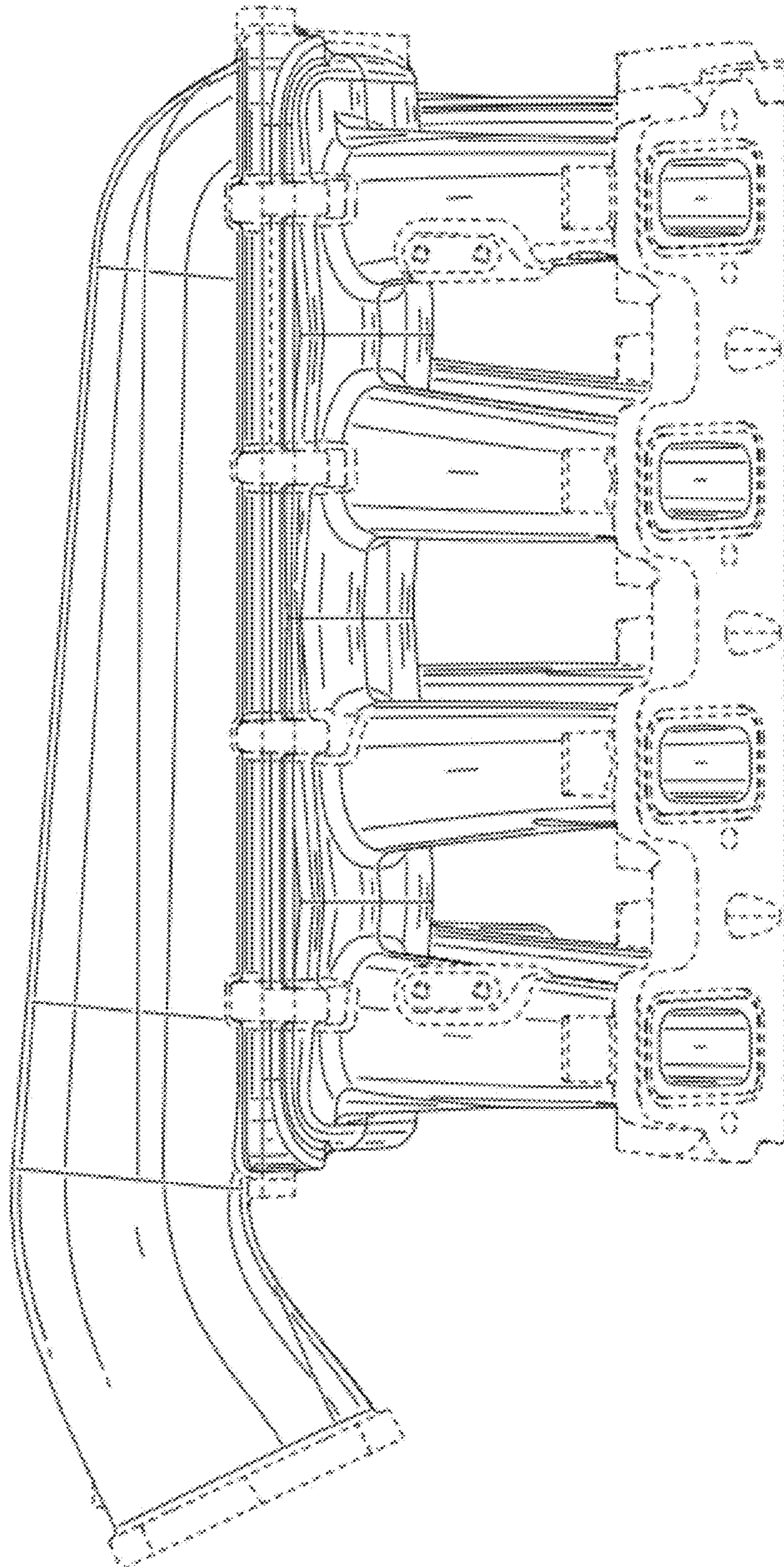


FIG. 5

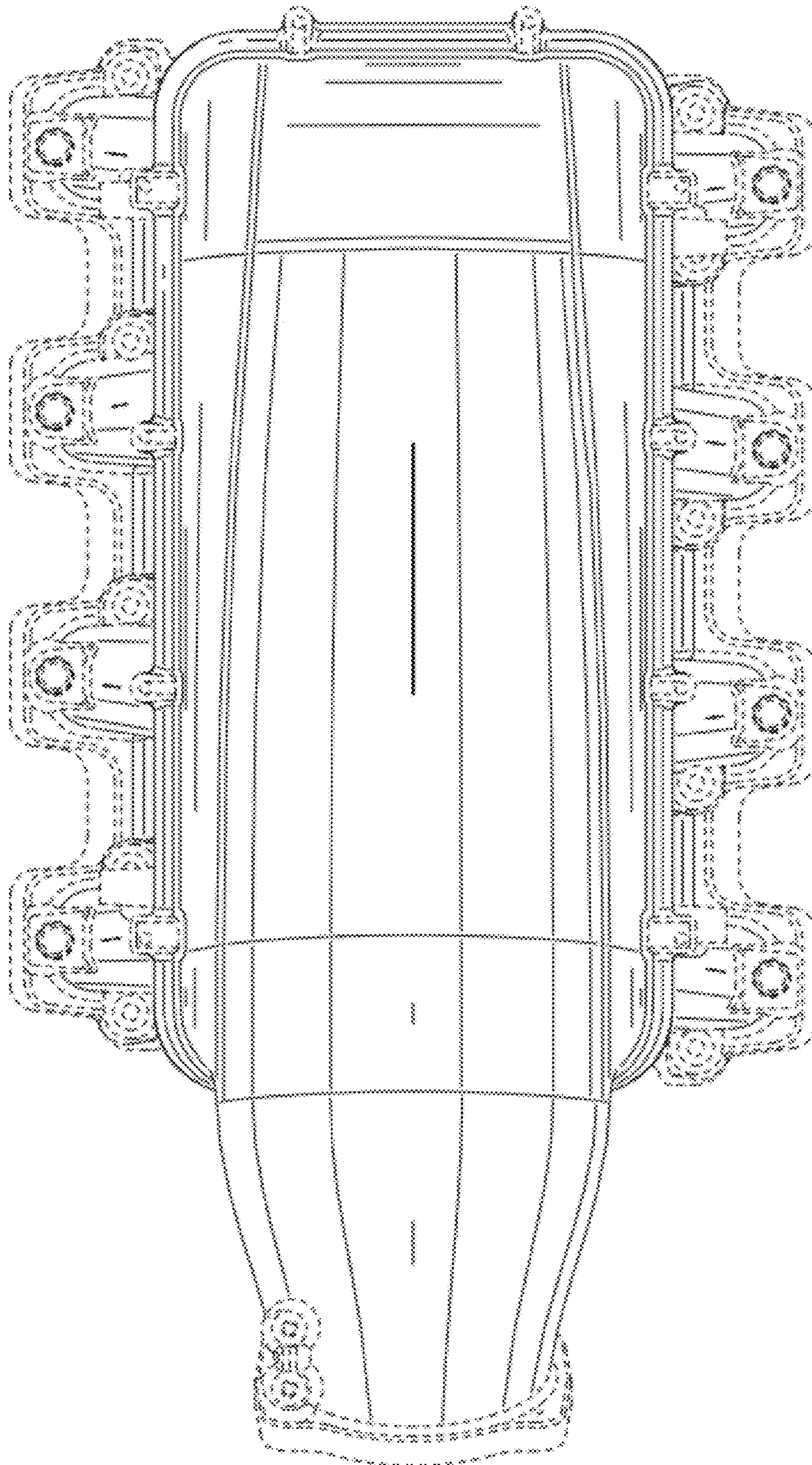


FIG. 6

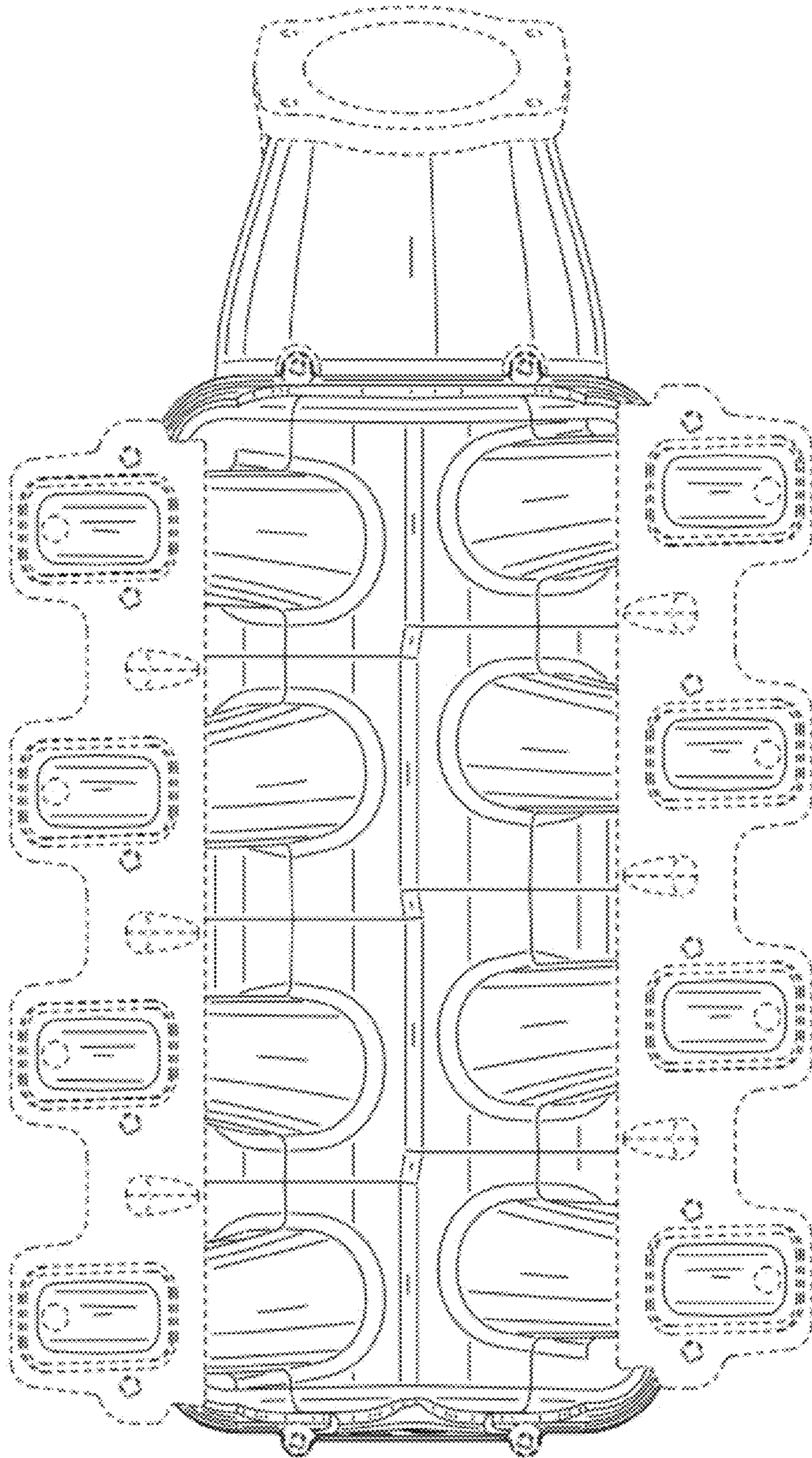


FIG. 7