



US00D654092S

(12) **United States Design Patent**
Lugli et al.

(10) **Patent No.:** **US D654,092 S**

(45) **Date of Patent:** **** Feb. 14, 2012**

(54) **GEAR CASING**

(75) Inventors: **Paolo Lugli**, Formigine (IT); **Claudio Mantovani**, Soliera (IT)

(73) Assignee: **Motovario S.p.A.**, Milan (IT)

(**) Term: **14 Years**

(21) Appl. No.: **29/359,786**

(22) Filed: **Apr. 15, 2010**

(30) **Foreign Application Priority Data**

Mar. 16, 2010 (EM) 001681727-001/004

(51) **LOC (9) Cl.** **15-01**

(52) **U.S. Cl.** **D15/5**

(58) **Field of Classification Search** D15/1-6;
D12/160, 159; 280/5.5-5.524

See application file for complete search history.

(56) **References Cited**

U.S. PATENT DOCUMENTS

D368,919 S *	4/1996	Lannoch	D15/148
D416,922 S *	11/1999	Lannoch	D15/148
D437,334 S *	2/2001	Song	D15/148
D499,348 S *	12/2004	Matsumoto et al.	D10/85
D575,175 S *	8/2008	Suzuki	D10/85

* cited by examiner

Primary Examiner — T. Chase Nelson

Assistant Examiner — Ania Aman

(74) *Attorney, Agent, or Firm* — Pearne & Gordon LLP

(57) **CLAIM**

The ornamental design for a gear casing, as shown and described.

DESCRIPTION

FIG. 1 is a perspective view of a gear casing, showing our new design;

FIG. 2 is a right-side elevational view thereof;

FIG. 3 is a front elevational view thereof;

FIG. 4 is a rear elevational view thereof;

FIG. 5 is a top plan view thereof;

FIG. 6 is a bottom plan view thereof;

FIG. 7 is a left-side elevational view thereof;

FIG. 8 is a perspective view of a second embodiment of a gear casing according to the invention;

FIG. 9 is a right-side elevational view thereof;

FIG. 10 is a front elevational view thereof;

FIG. 11 is a rear elevational view thereof;

FIG. 12 is a top plan view thereof;

FIG. 13 is a bottom plan view thereof; and,

FIG. 14 is a left-side elevational view thereof.

The portions of the gear casing shown in broken lines form no part of the claimed design.

1 Claim, 14 Drawing Sheets

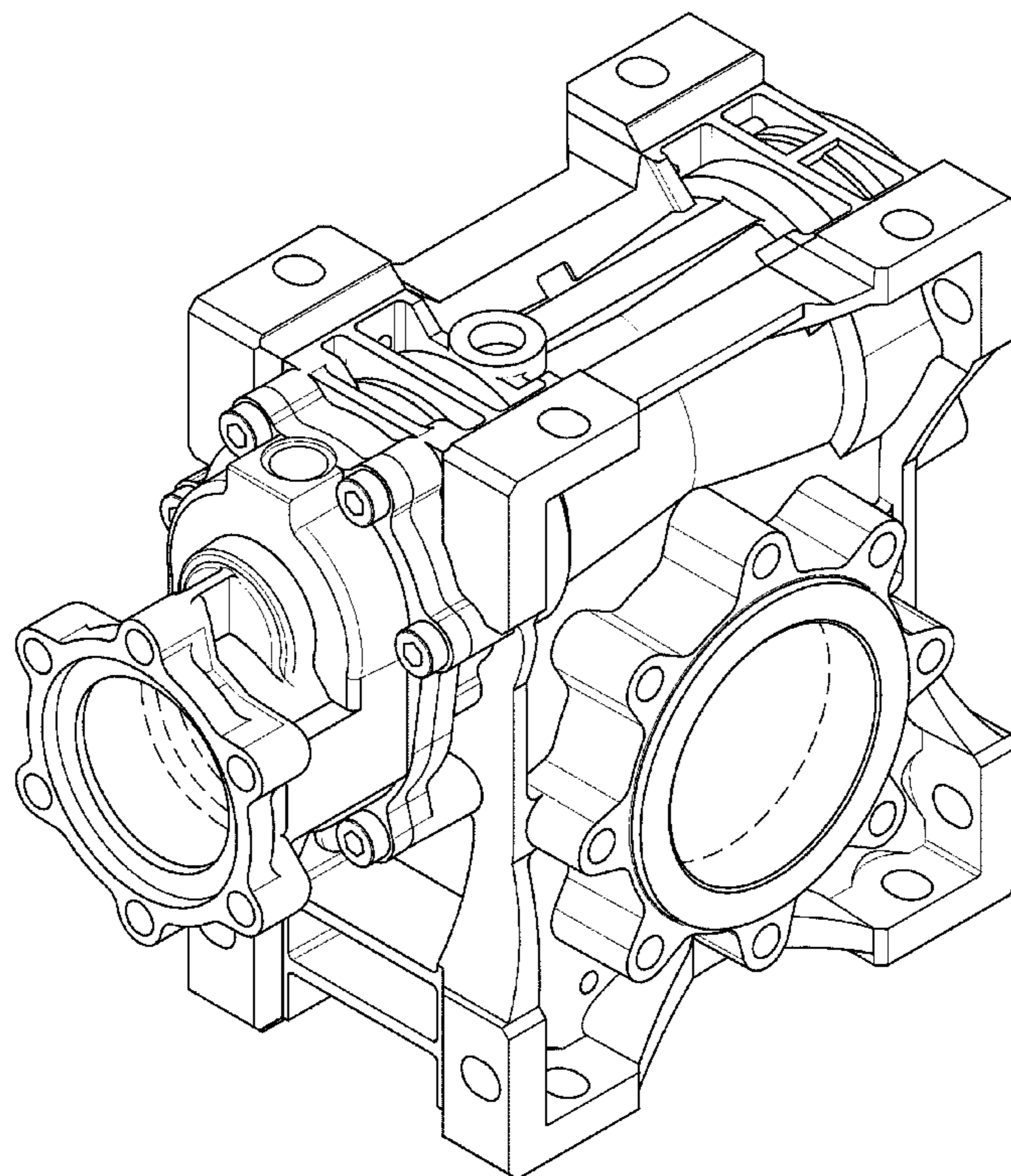


FIG.1

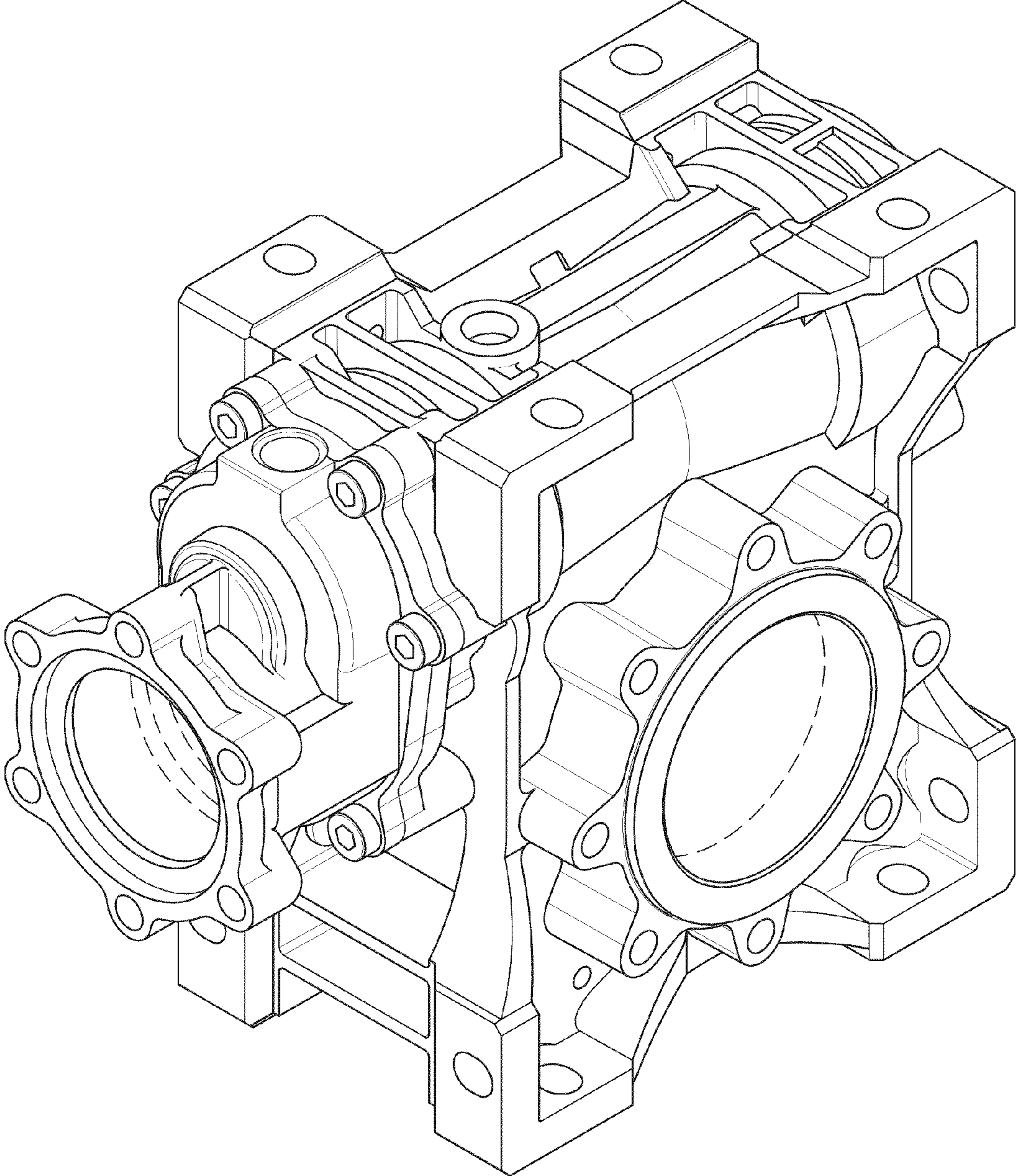


FIG.2

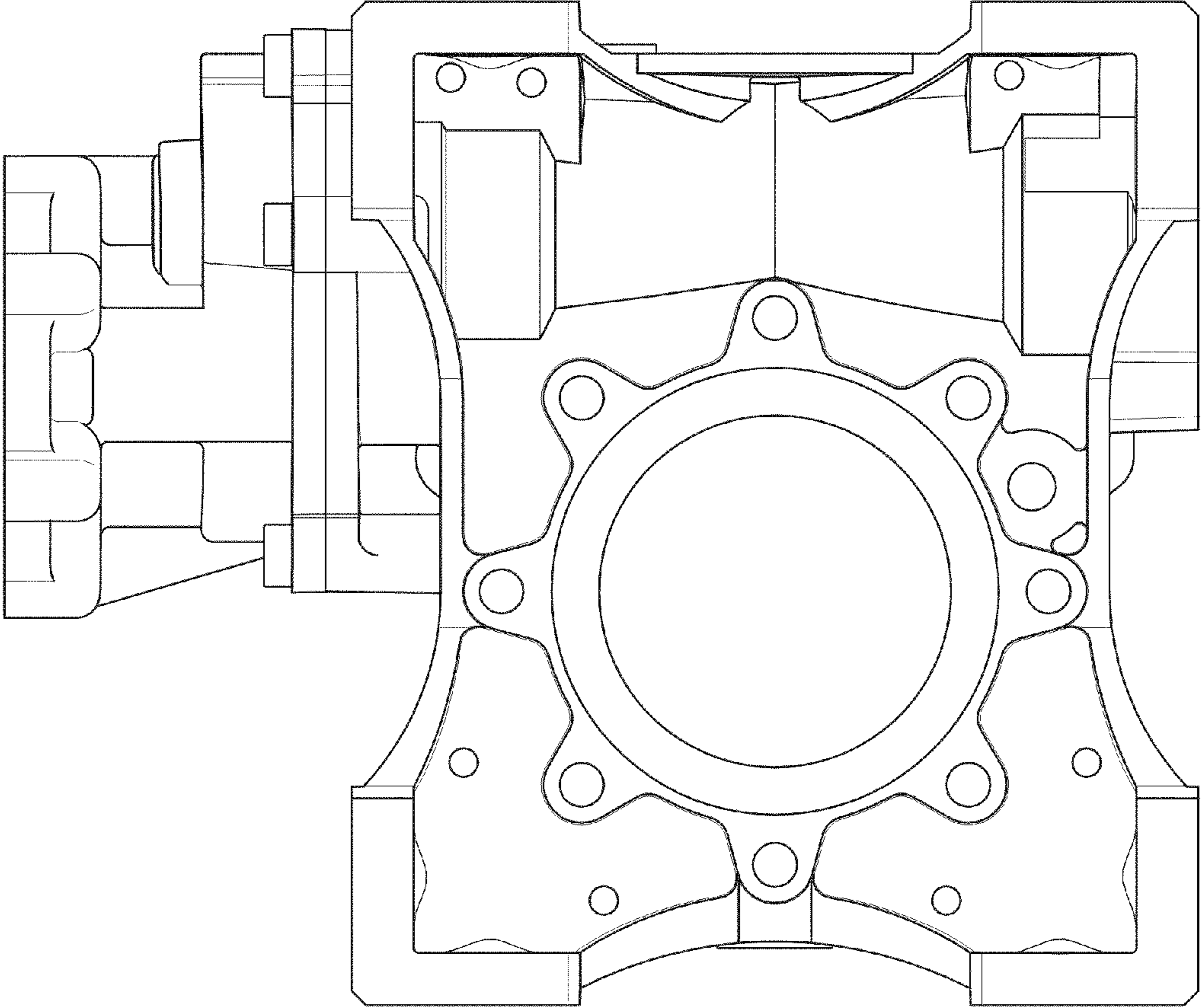


FIG.3

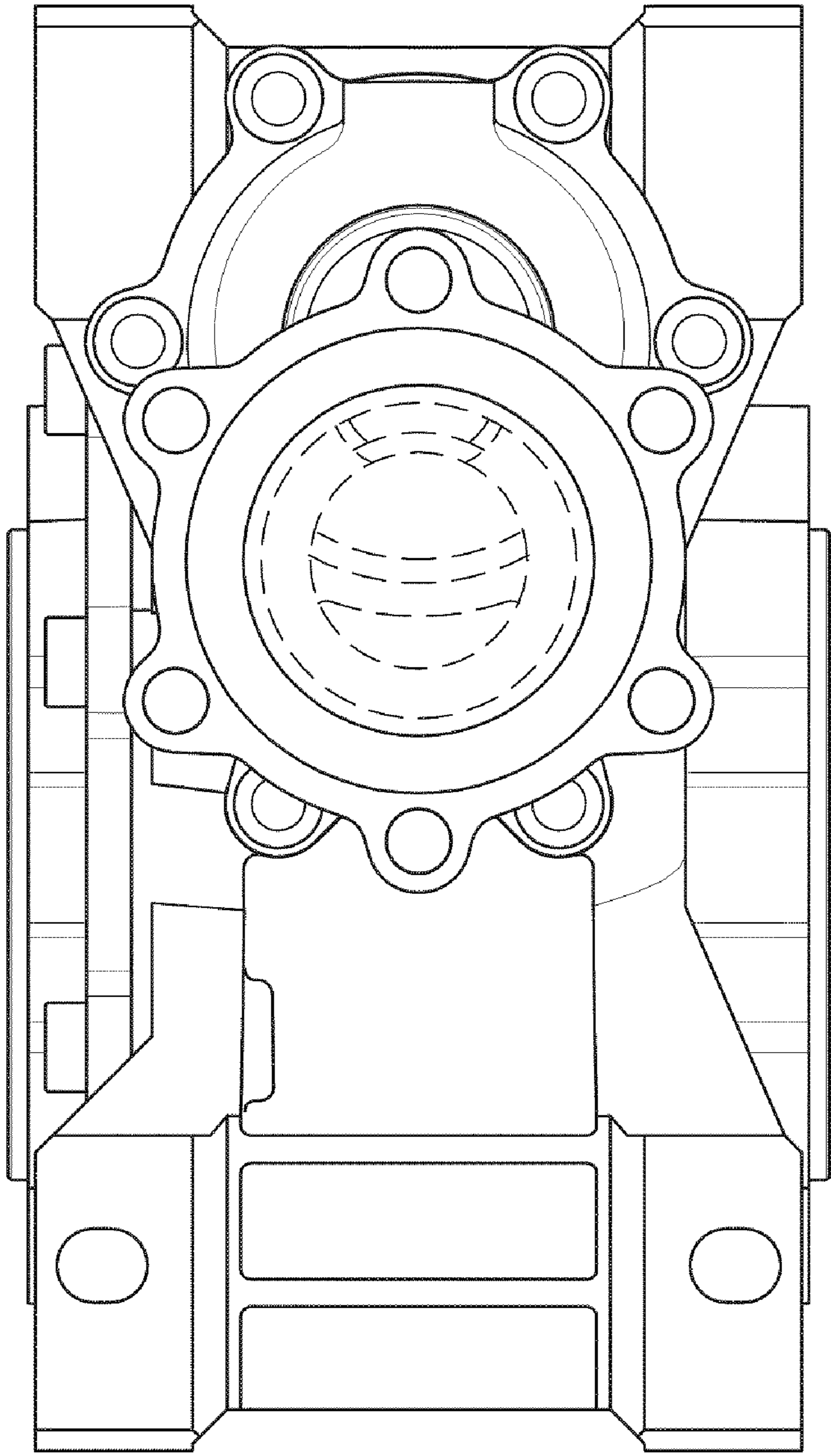


FIG.4

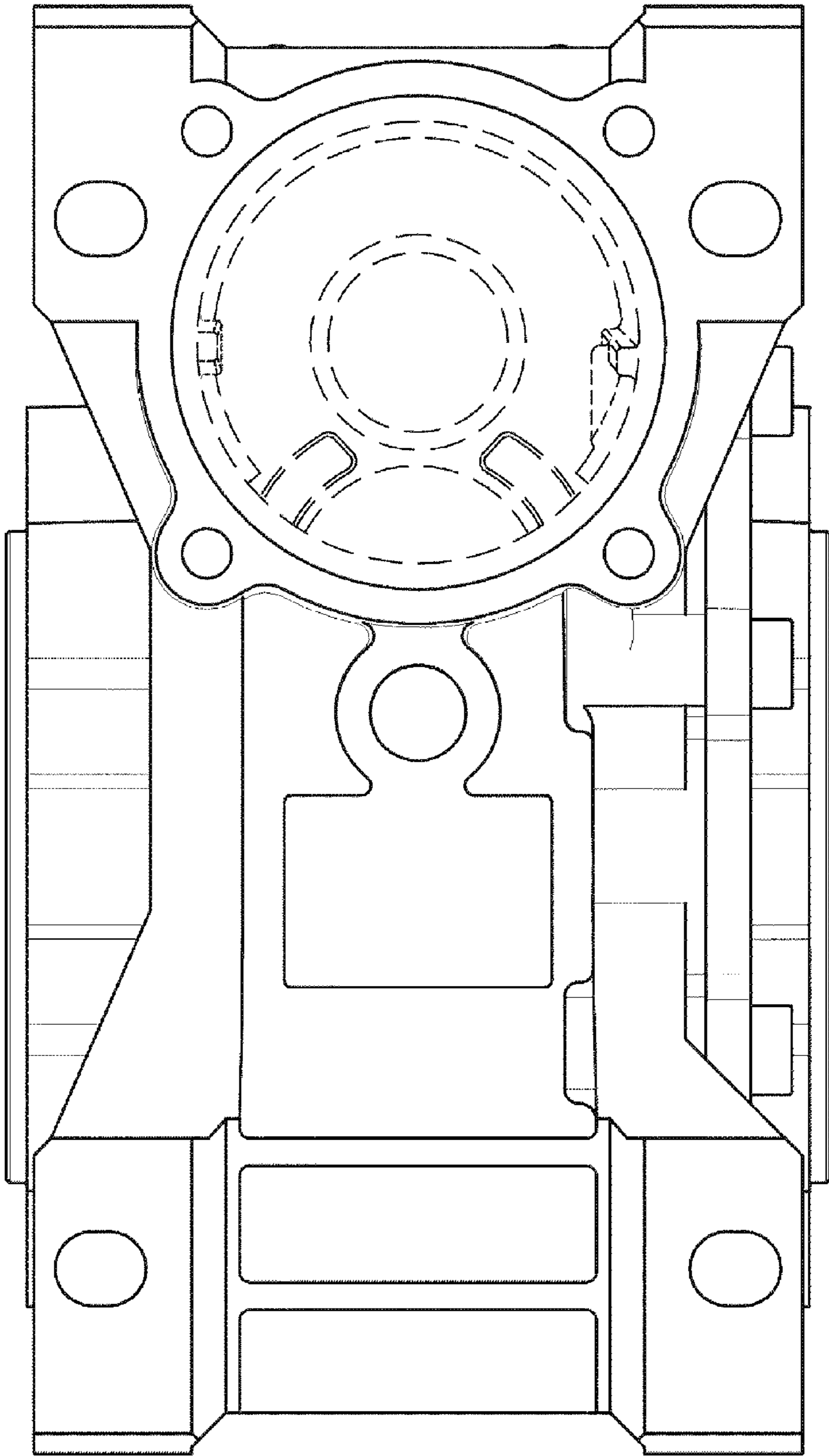


FIG.5

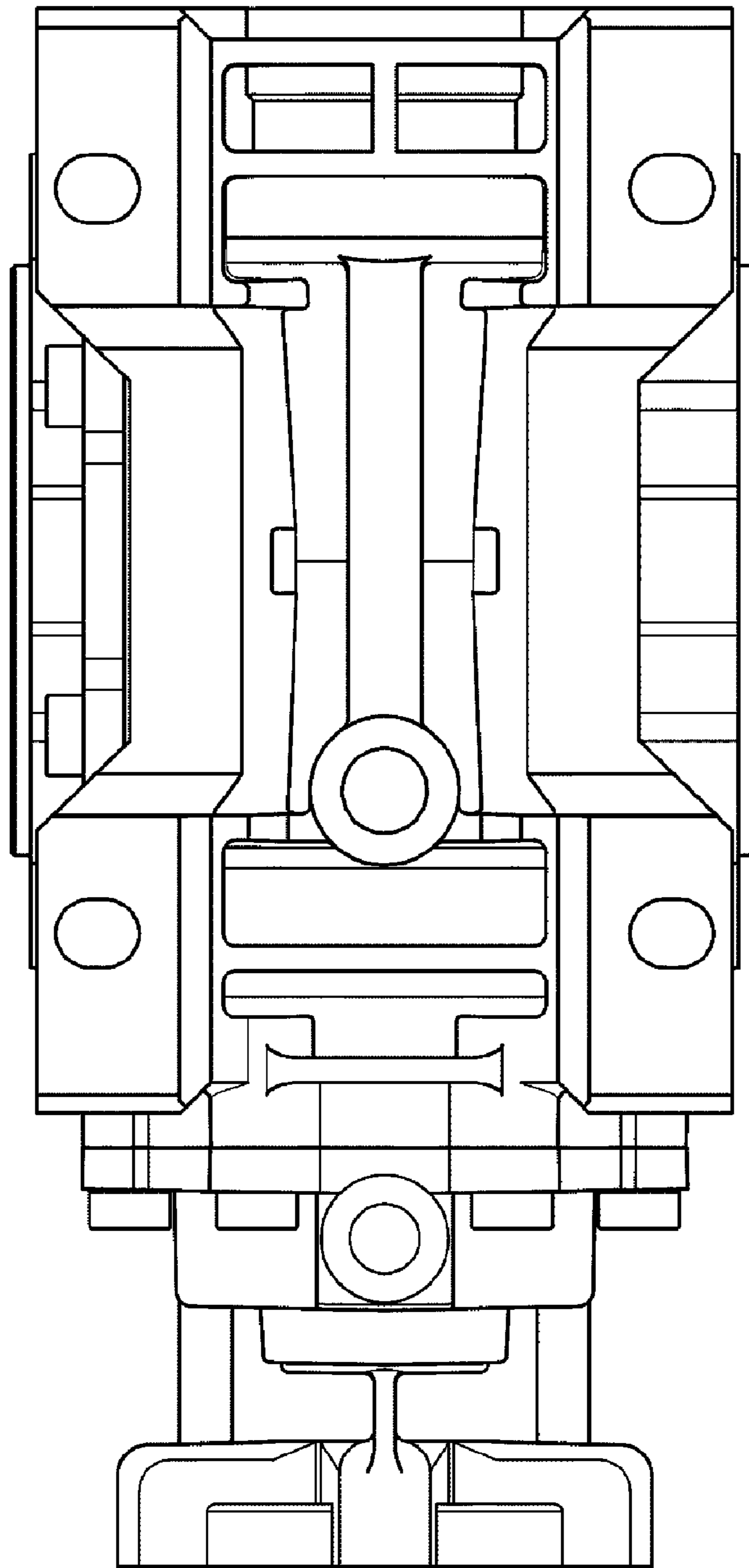


FIG.6

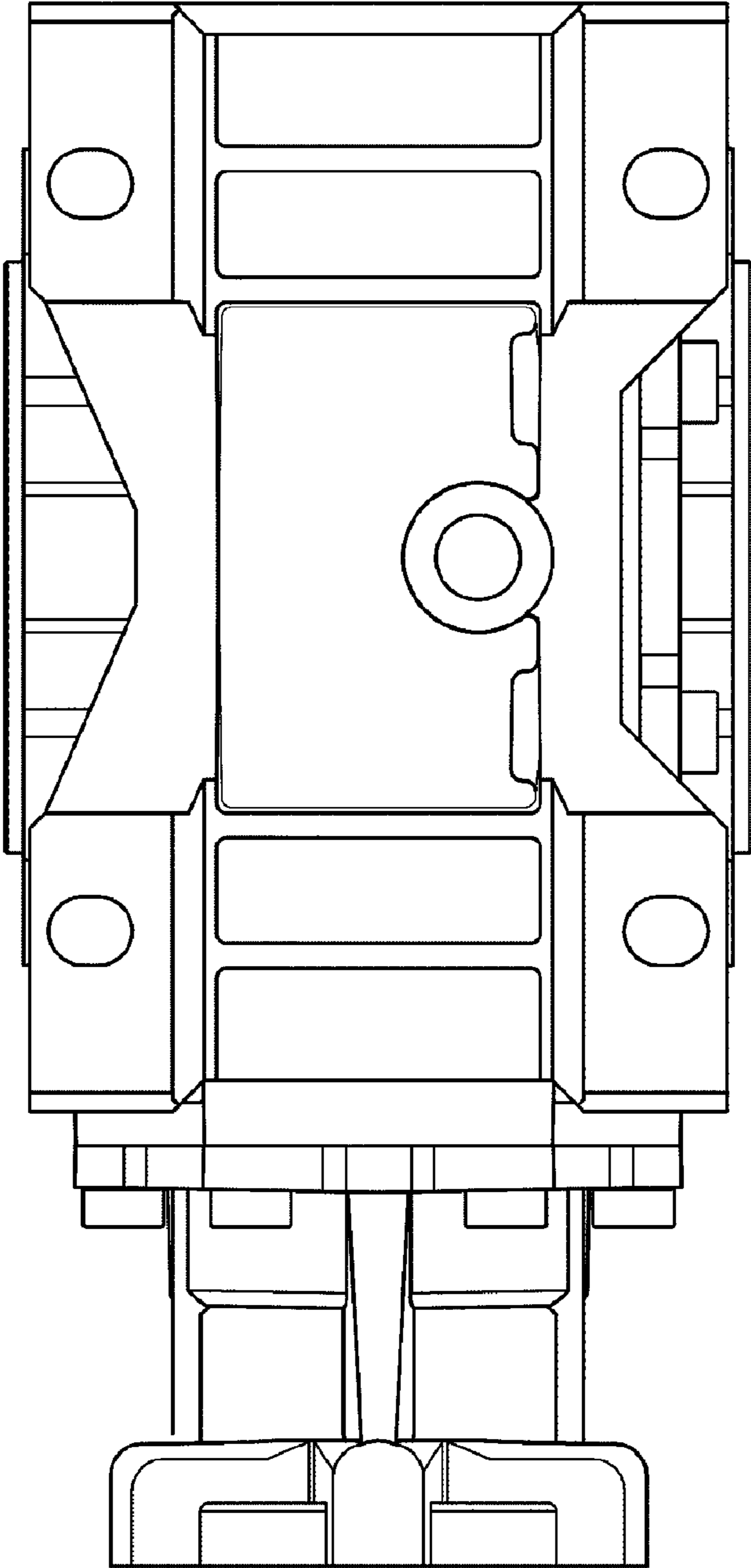


FIG.7

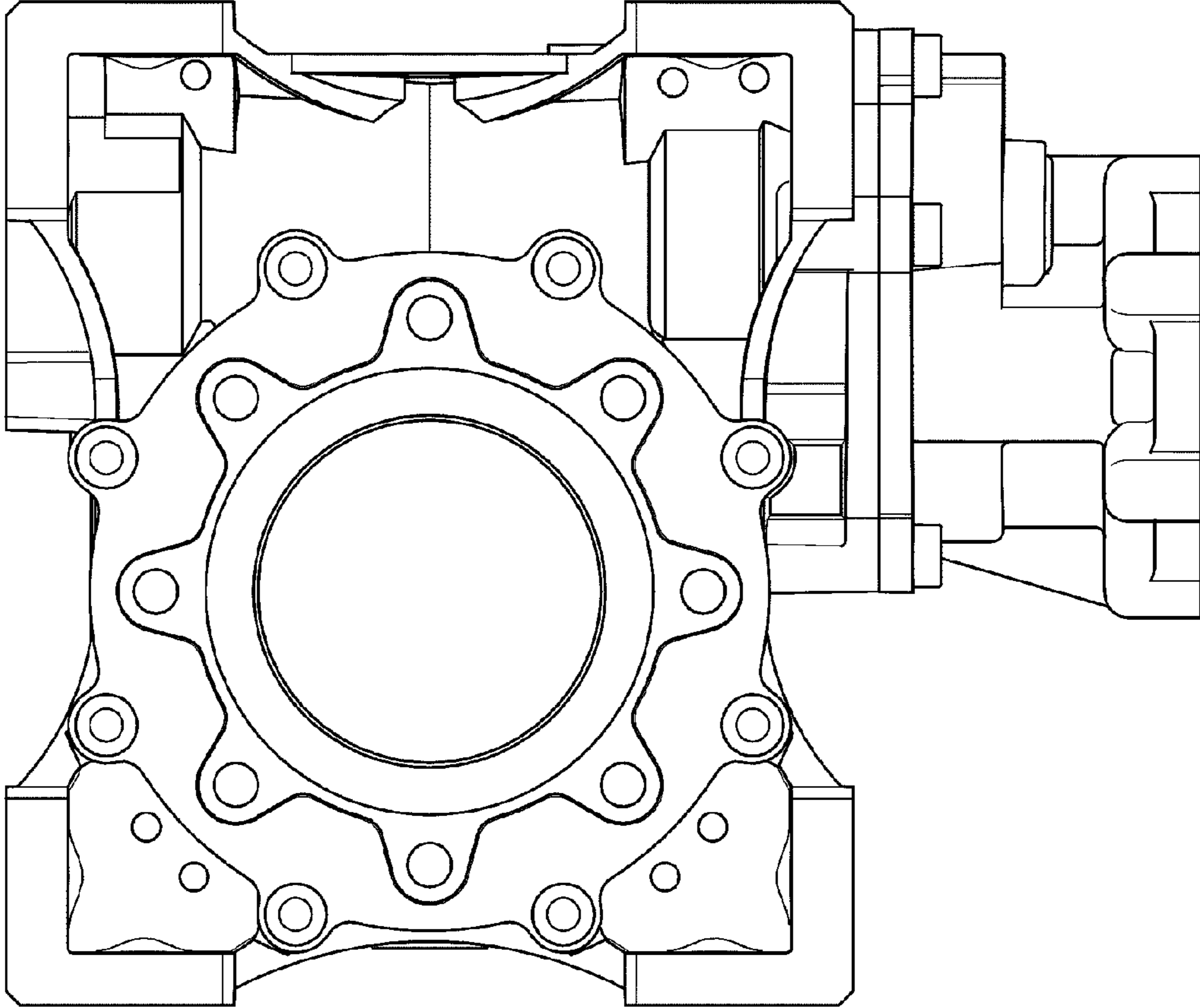


FIG.8

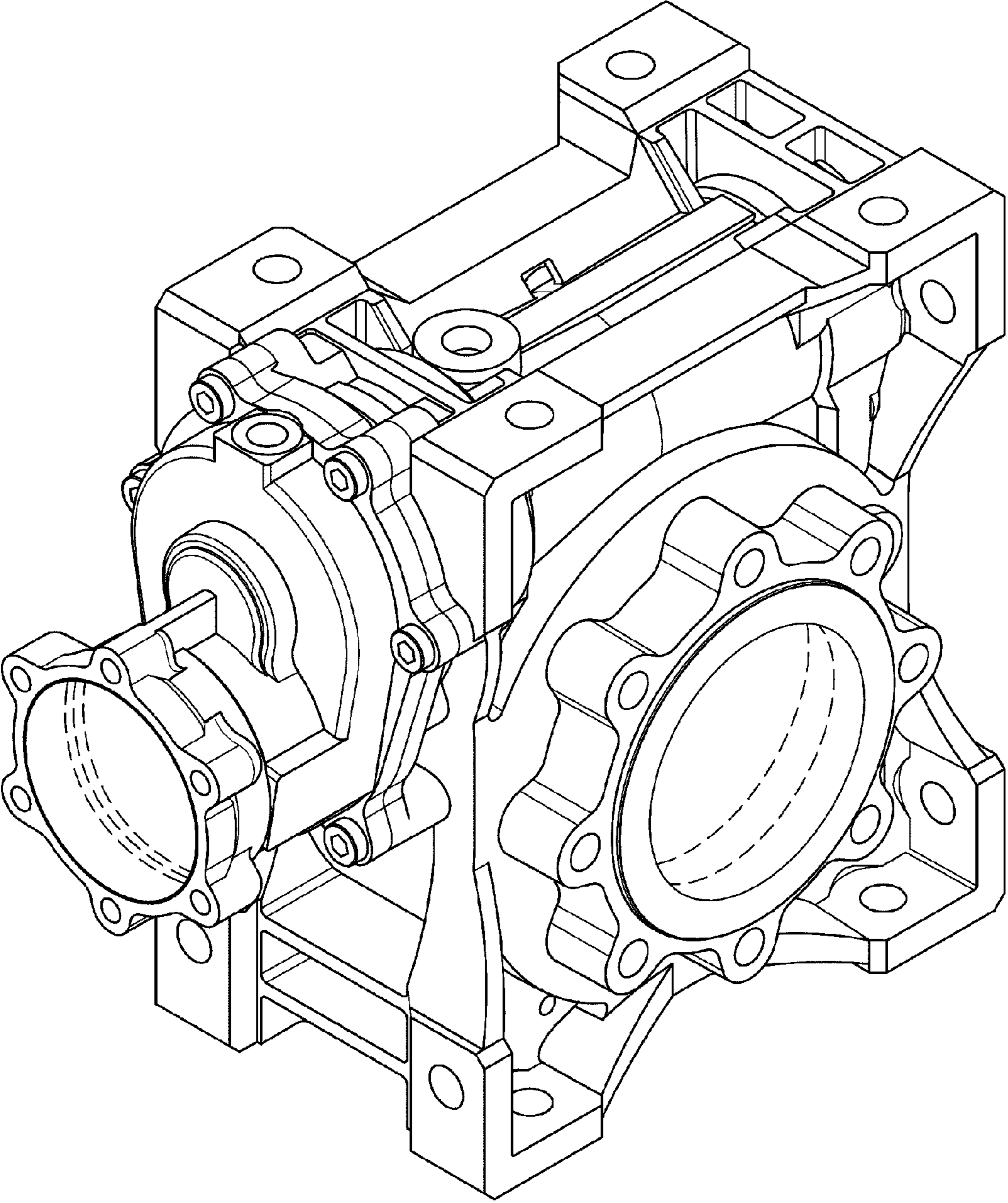


FIG.9

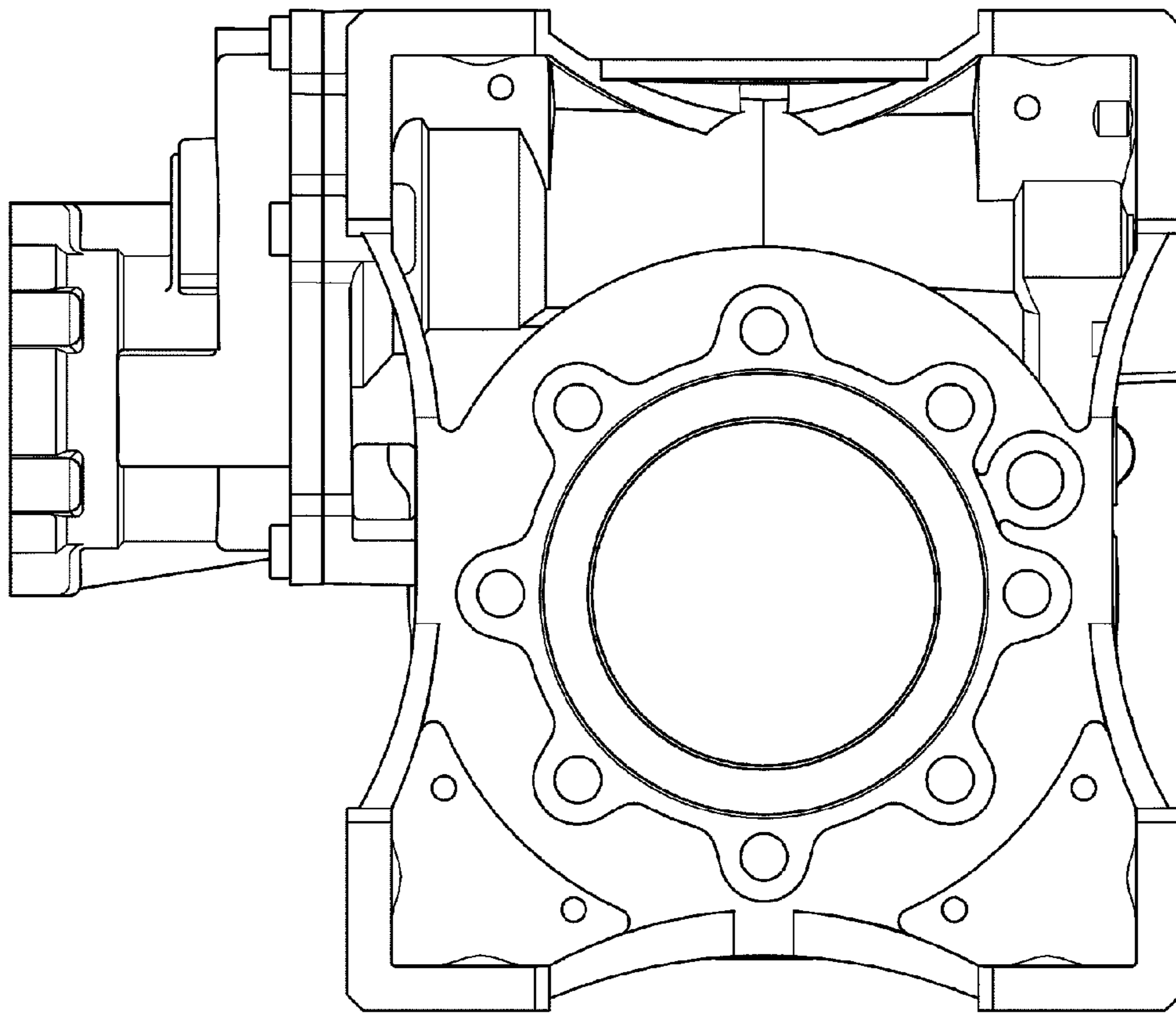


FIG.10

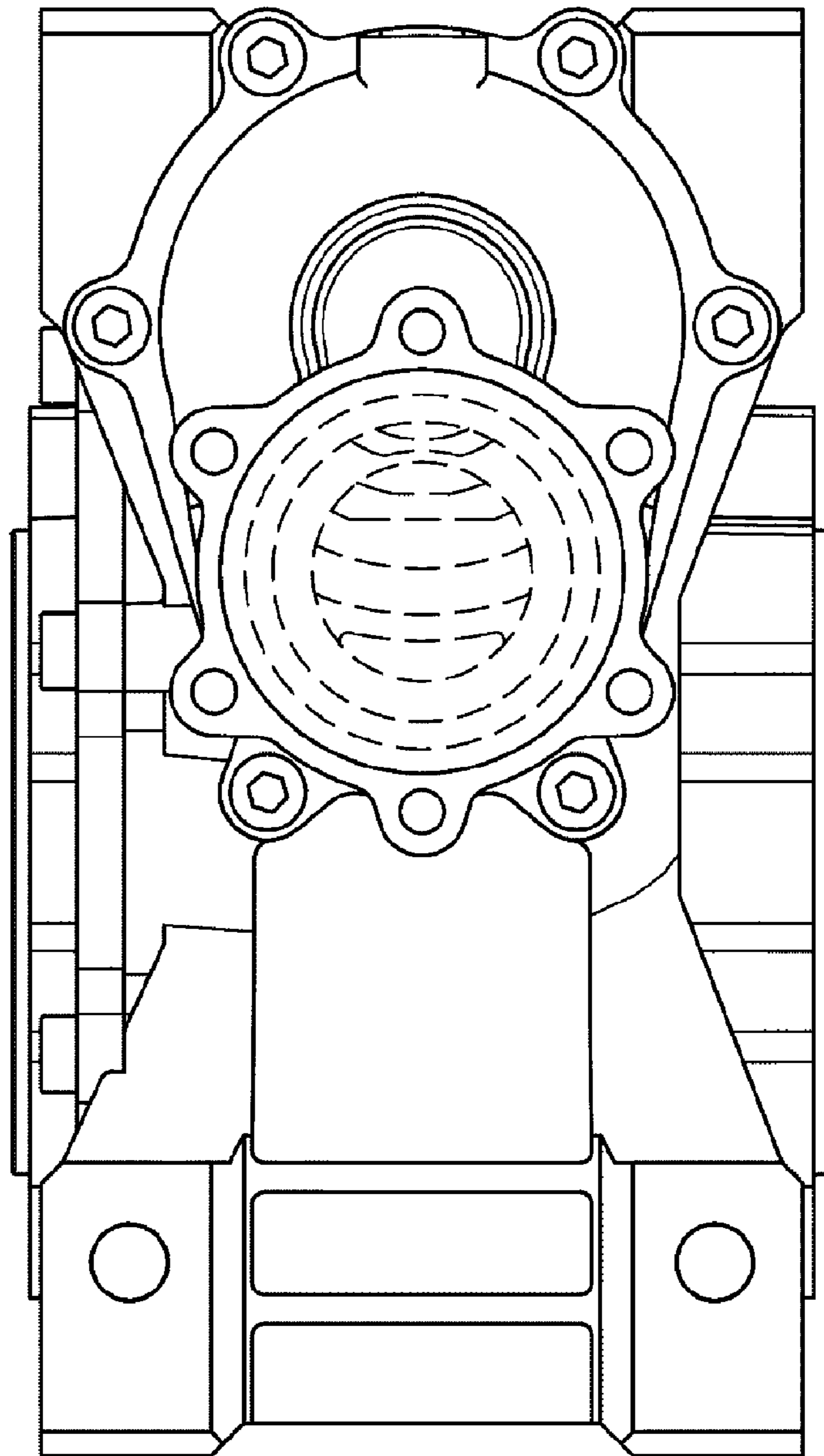


FIG.11

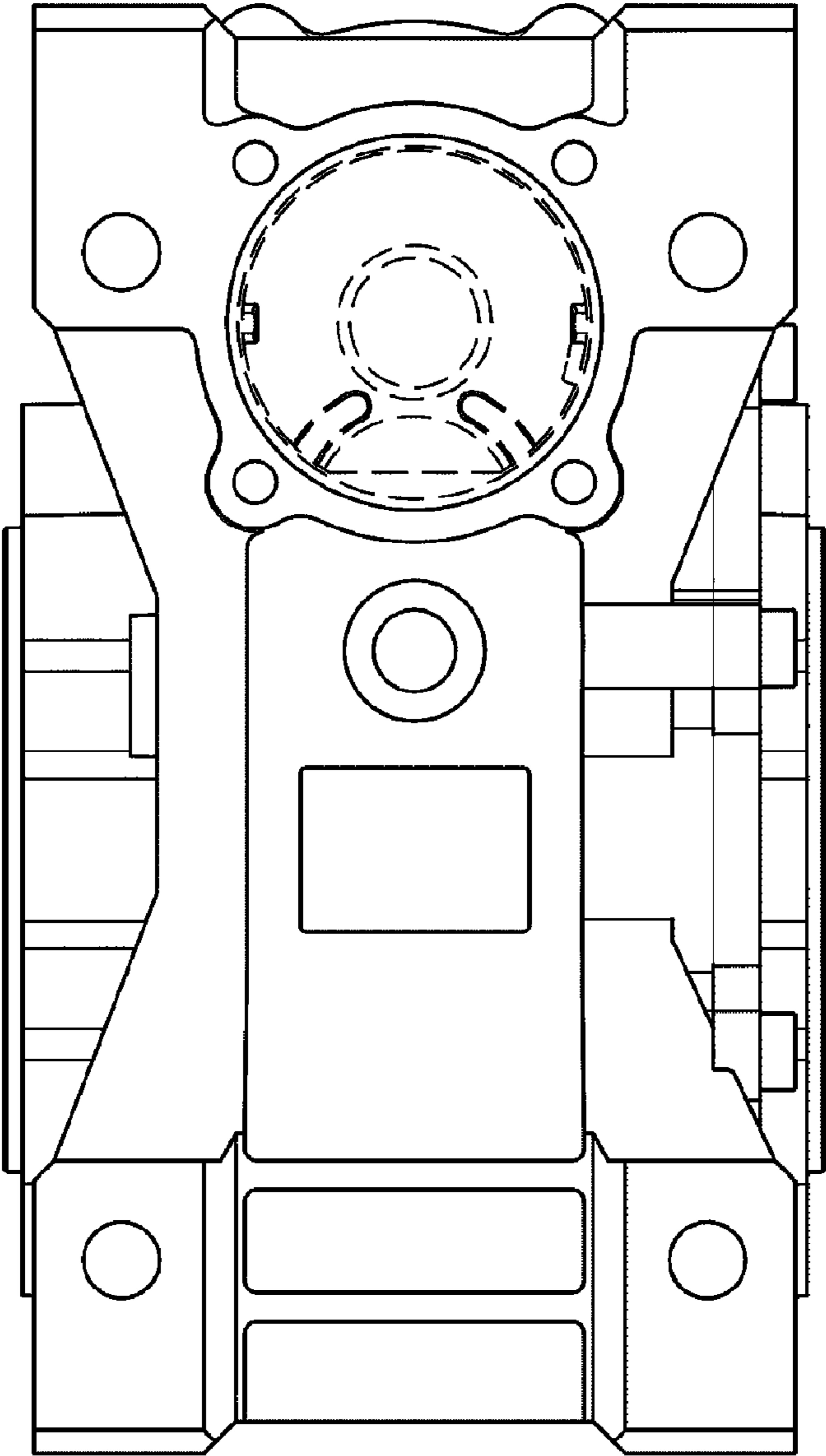


FIG.12

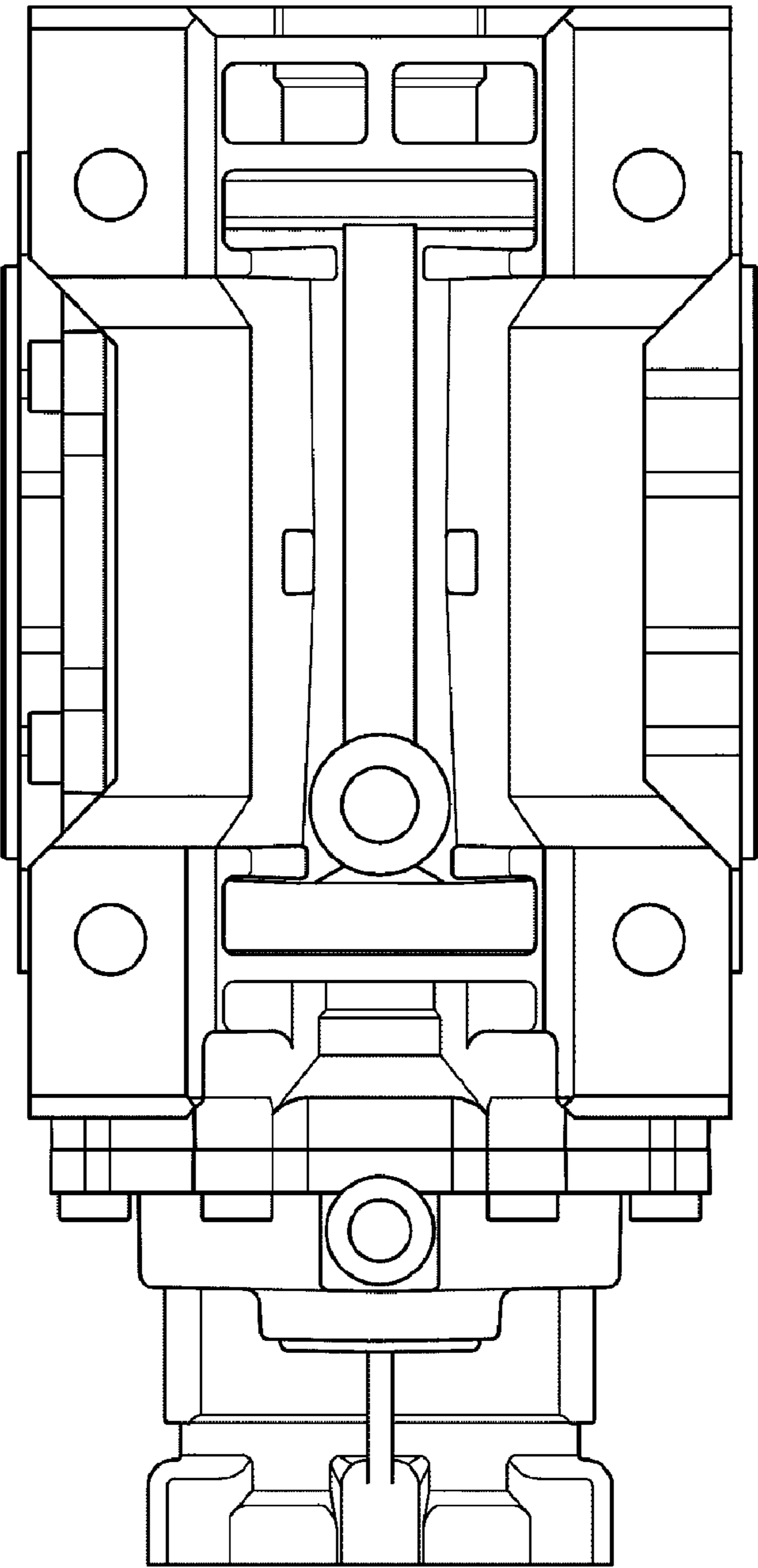


FIG.13

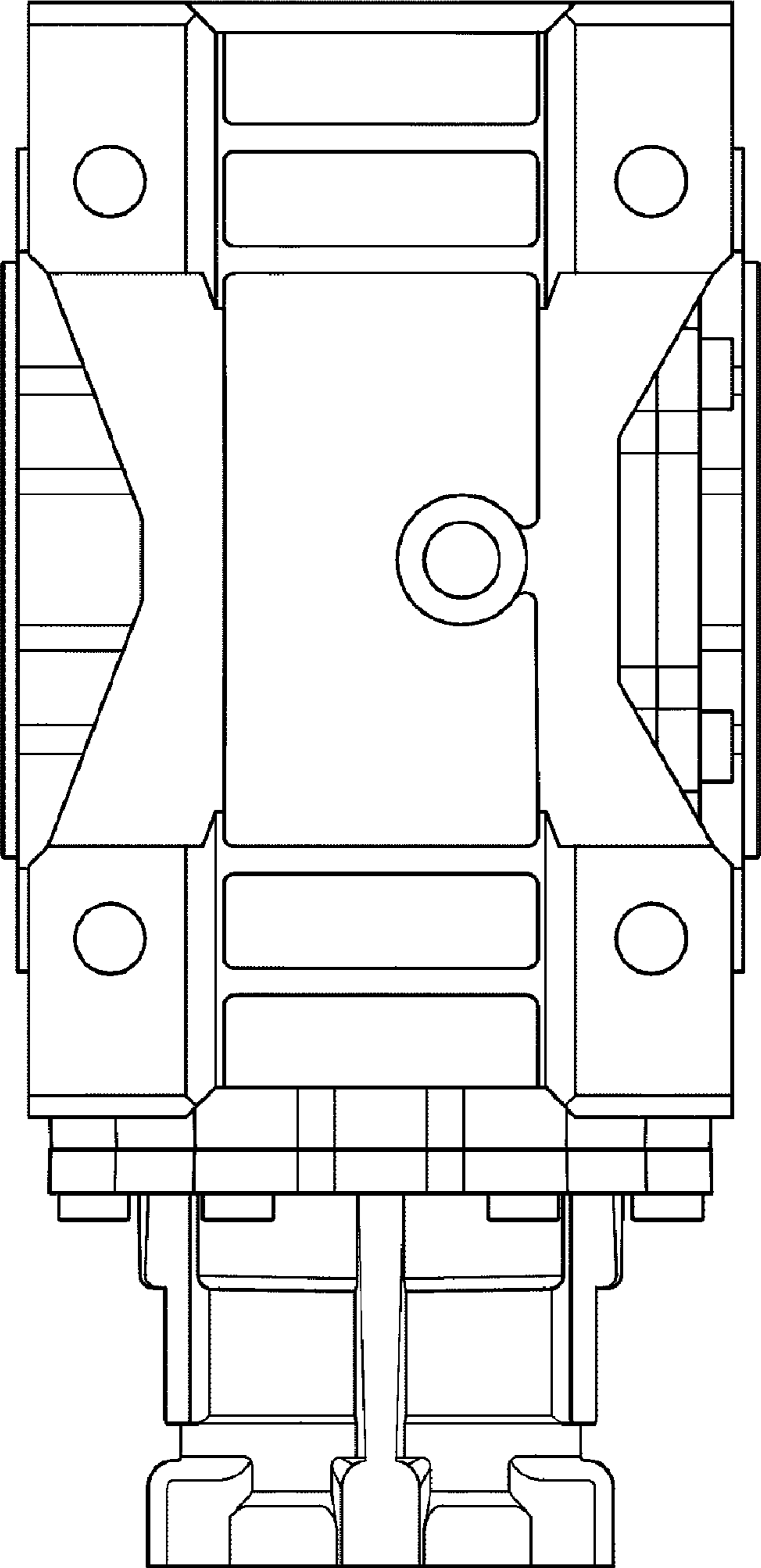
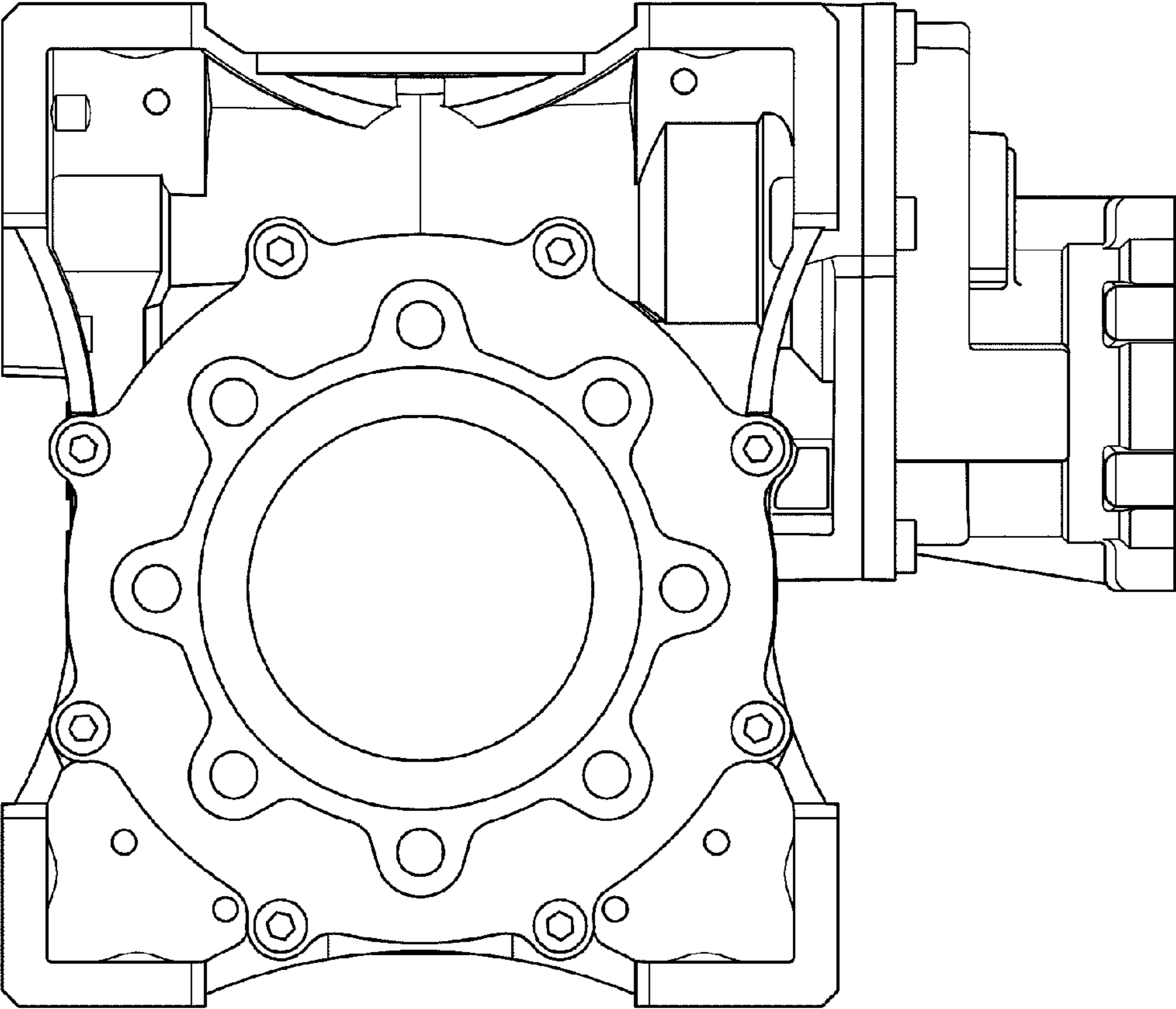


FIG.14



UNITED STATES PATENT AND TRADEMARK OFFICE
CERTIFICATE OF CORRECTION

PATENT NO. : D654,092 S
APPLICATION NO. : 29/359786
DATED : February 14, 2012
INVENTOR(S) : Lugli et al.

Page 1 of 5

It is certified that error appears in the above-identified patent and that said Letters Patent is hereby corrected as shown below:

Please delete FIGS. 4, 6, 11 and 13 currently in the case and replace them with FIGS. 4, 6, 11 and 13 attached hereto.

Signed and Sealed this
Twenty-ninth Day of May, 2012

A handwritten signature in black ink that reads "David J. Kappos". The signature is written in a cursive, slightly slanted style.

David J. Kappos
Director of the United States Patent and Trademark Office

FIG.4

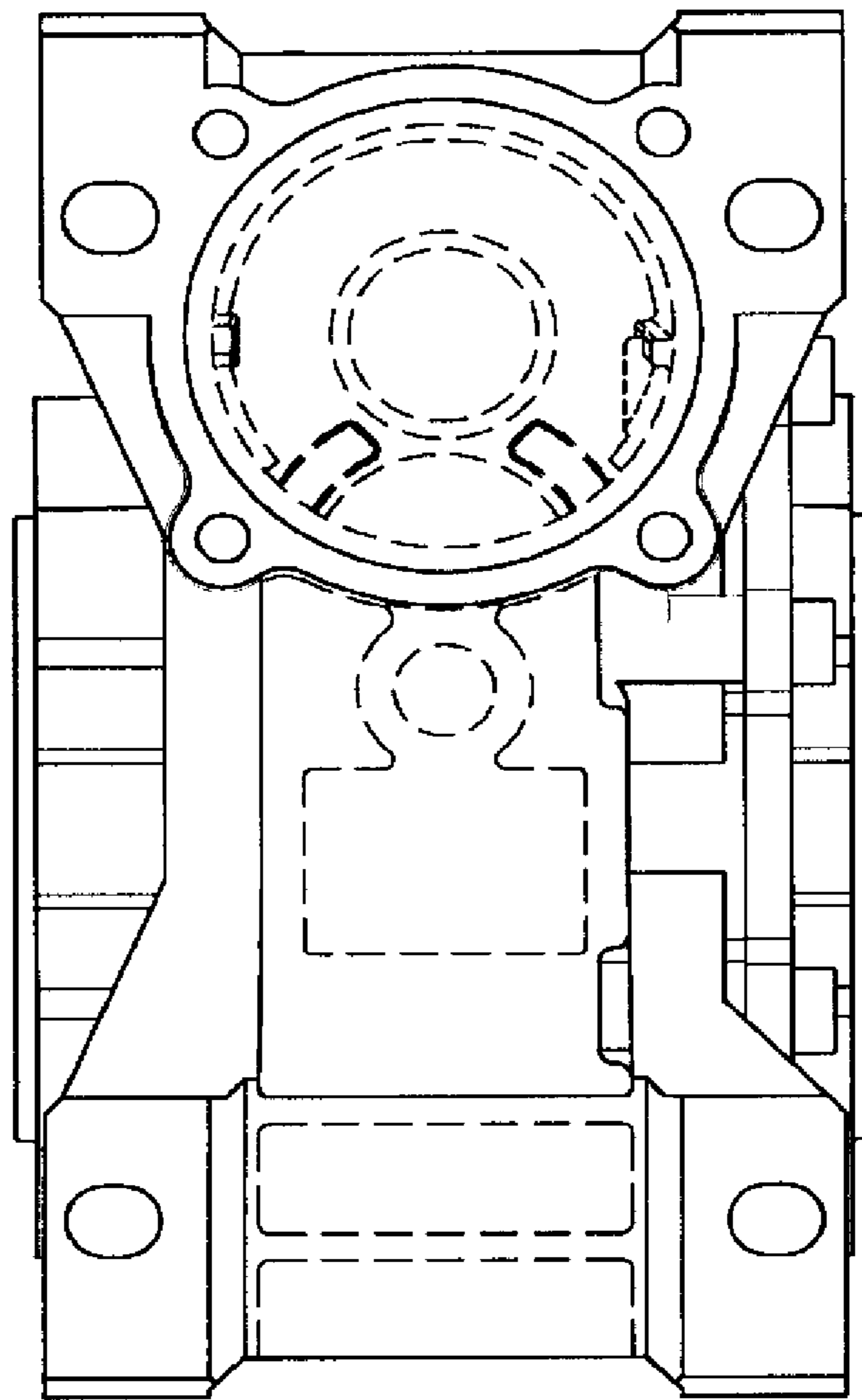


FIG.6

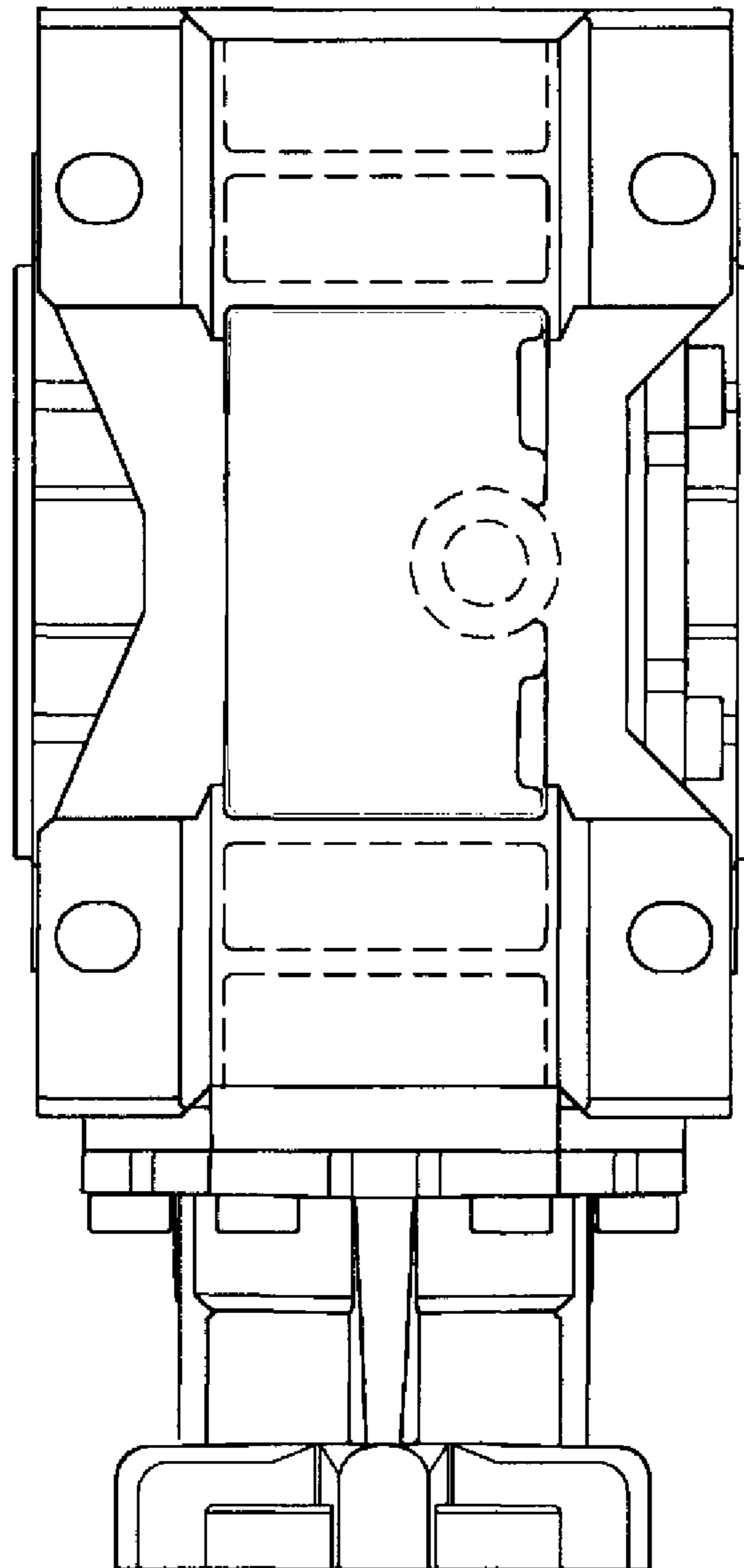


FIG.11

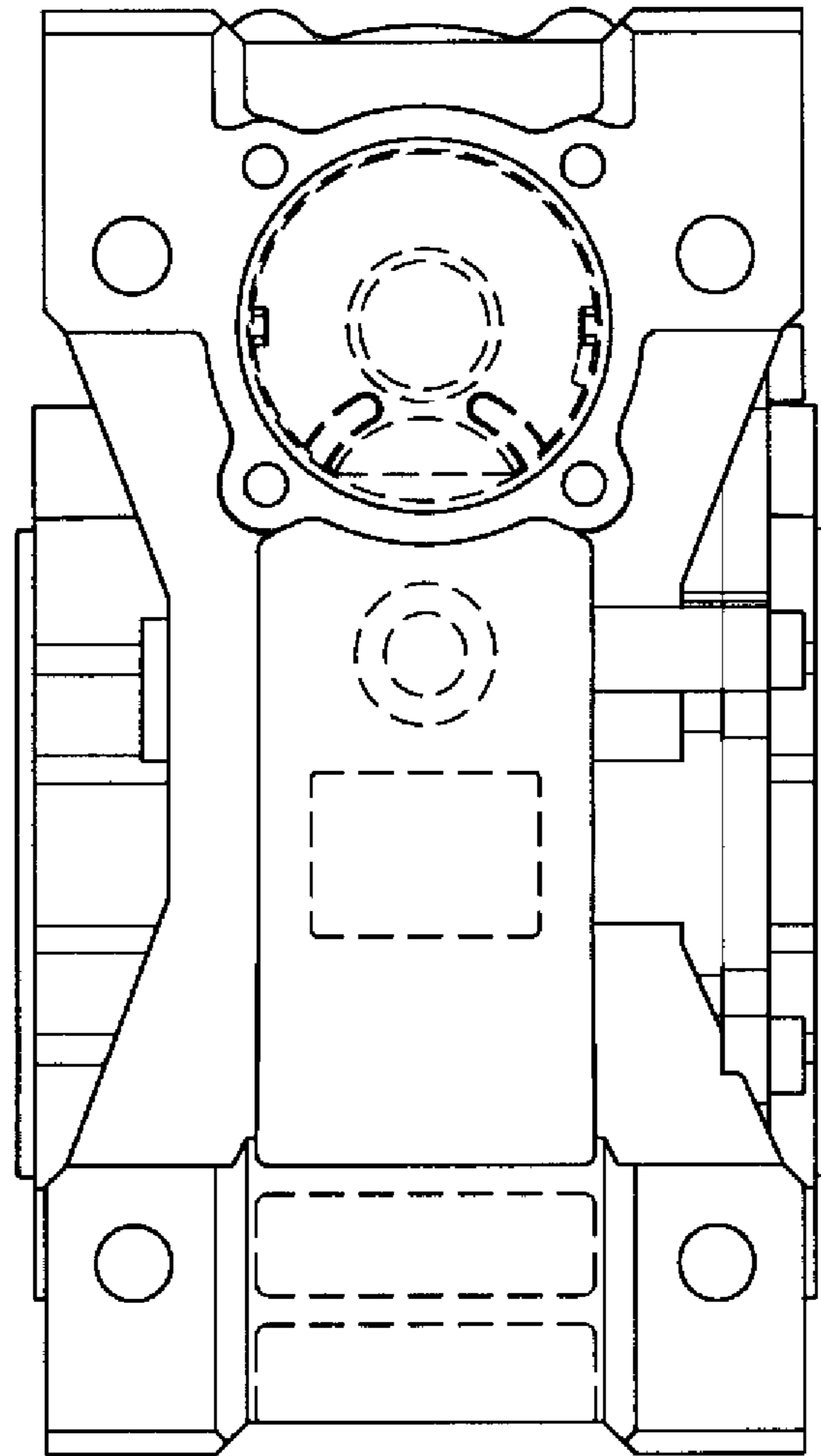


FIG.13

