



US00D654083S

(12) **United States Design Patent**
Lo

(10) **Patent No.:** **US D654,083 S**

(45) **Date of Patent:** **** Feb. 14, 2012**

(54) **FLASH DISK**

(76) Inventor: **Yu-Nan Lo**, Taichung (TW)

(**) Term: **14 Years**

(21) Appl. No.: **29/384,806**

(22) Filed: **Feb. 3, 2011**

(51) **LOC (9) Cl.** **14-02**

(52) **U.S. Cl.** **D14/480.7**

(58) **Field of Classification Search** D14/411,
D14/433, 435.1, 436, 480.1–480.7, 484.1,
D14/137, 155, 203.1–203.8, 240; D13/133,
D13/154; 710/300, 301; 439/131, 135–147;
361/679.31, 679.33, 679.4, 752; 711/100,
711/115

See application file for complete search history.

(56) **References Cited**

U.S. PATENT DOCUMENTS

D501,485	S	*	2/2005	Lian et al.	D14/203.3
D547,311	S	*	7/2007	Chen et al.	D14/480.7
D587,266	S	*	2/2009	Deguchi	D14/480.7
D616,449	S	*	5/2010	Lo	D14/480.7
D620,946	S	*	8/2010	Lo	D14/480.5
7,815,446	B2	*	10/2010	Yang	439/131
D647,100	S	*	10/2011	Huang	D14/480.7
D647,101	S	*	10/2011	Huang	D14/480.7
2010/0124831	A1	*	5/2010	Chou et al.	439/131

OTHER PUBLICATIONS

A-Data Technology—A-Data C905 USB Flash Drive, p. 1 [online], [retrieved on May 25, 2010]. Retrieved from the Internet <URL: http://www.adata.com.tw/en/product_show.php?ProductNo=AS95ZZZRS>.*

CellMate Single-Slt Multi-Card Reader Manufacturer, p. 1 [online], [retrieved on Jan. 8, 2007]. Retrieved from the Internet <URL: <http://www.globalsources.com/gsol1/Memory-card/p/bg/1000647651.htm>>.*

* cited by examiner

Primary Examiner — Karen E Kearney

(57) **CLAIM**

The ornamental design for a flash disk, as shown and described.

DESCRIPTION

FIG. 1 is a perspective view of a flash disk showing my new design;

FIG. 2 is a front elevational view thereof;

FIG. 3 is a rear elevational view thereof;

FIG. 4 is a left side elevational view thereof;

FIG. 5 is a right side elevational view thereof;

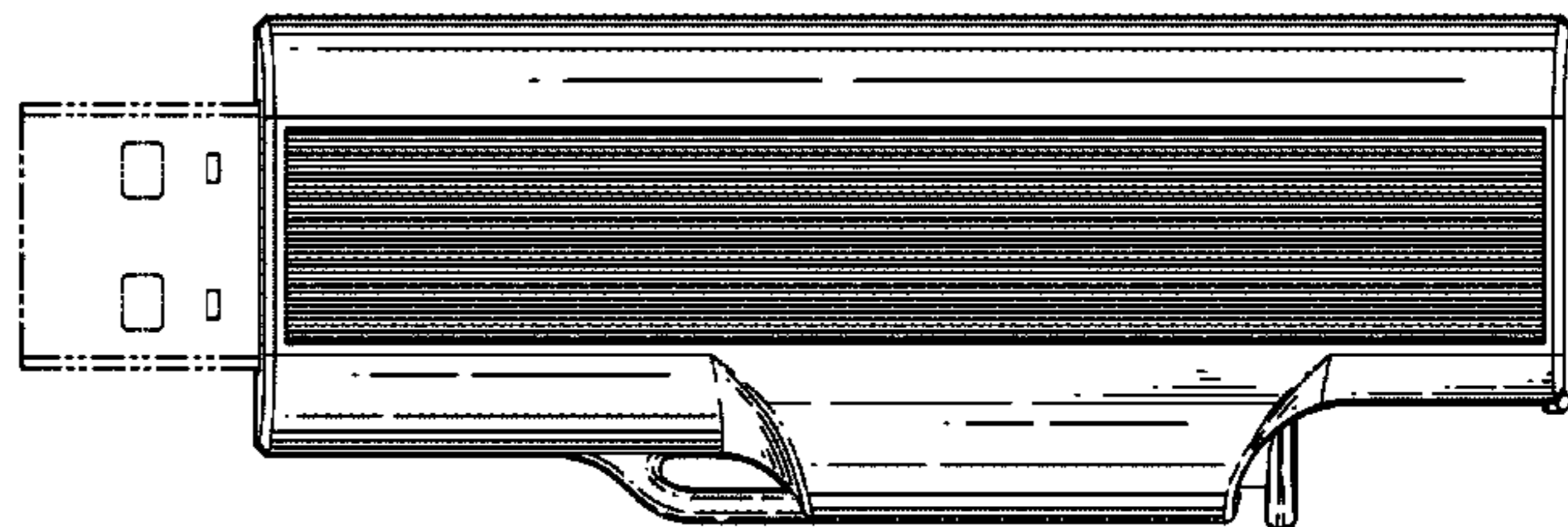
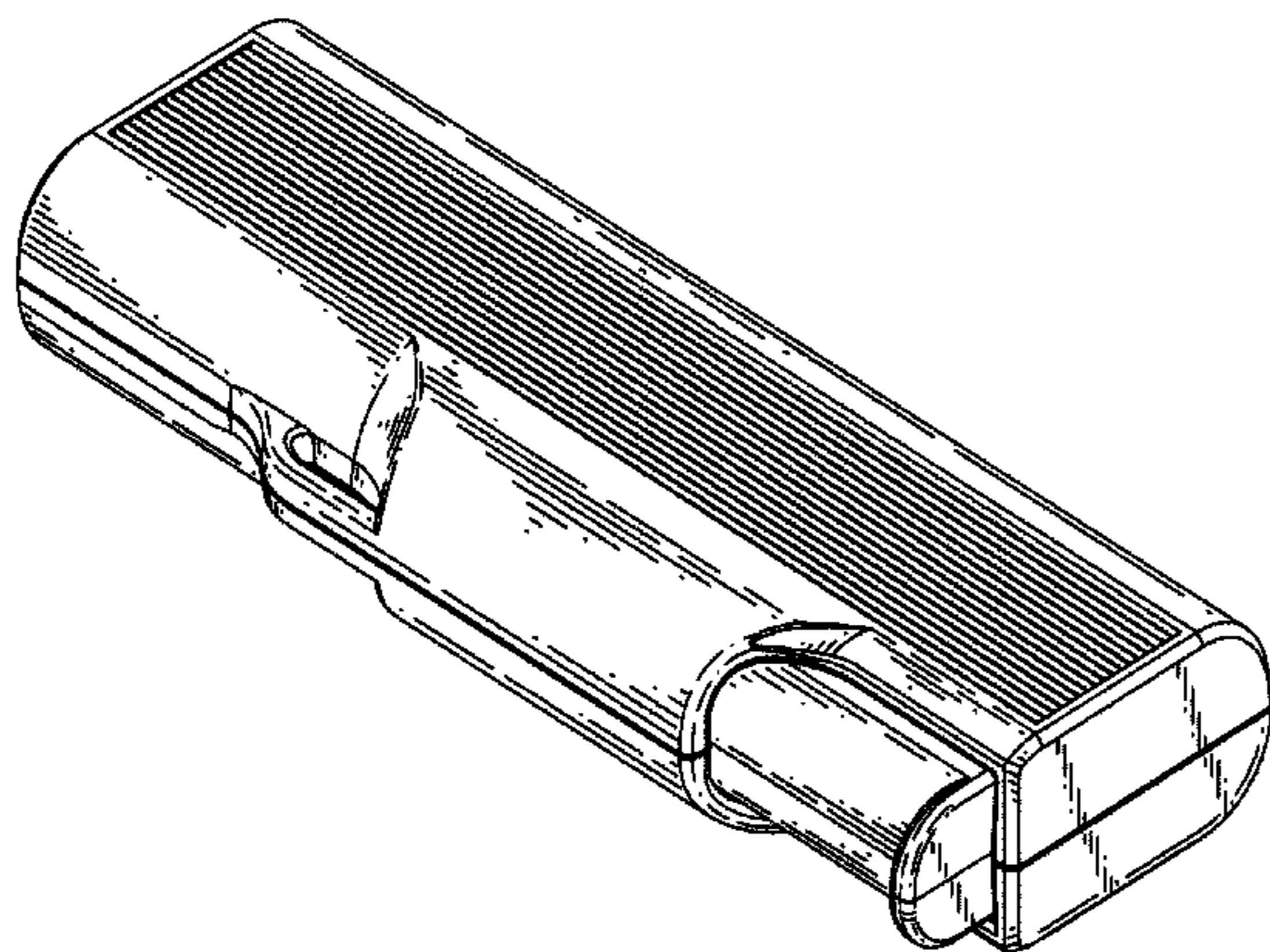
FIG. 6 is a top plan view thereof;

FIG. 7 is a bottom plan view thereof; and,

FIG. 8 is a top view thereof, wherein the USB connector is sliding out showing the design in use.

The broken line showings of the USB connector are for the purpose of illustrating unclaimed portions of the flash disk and form no part of the claimed design.

1 Claim, 7 Drawing Sheets



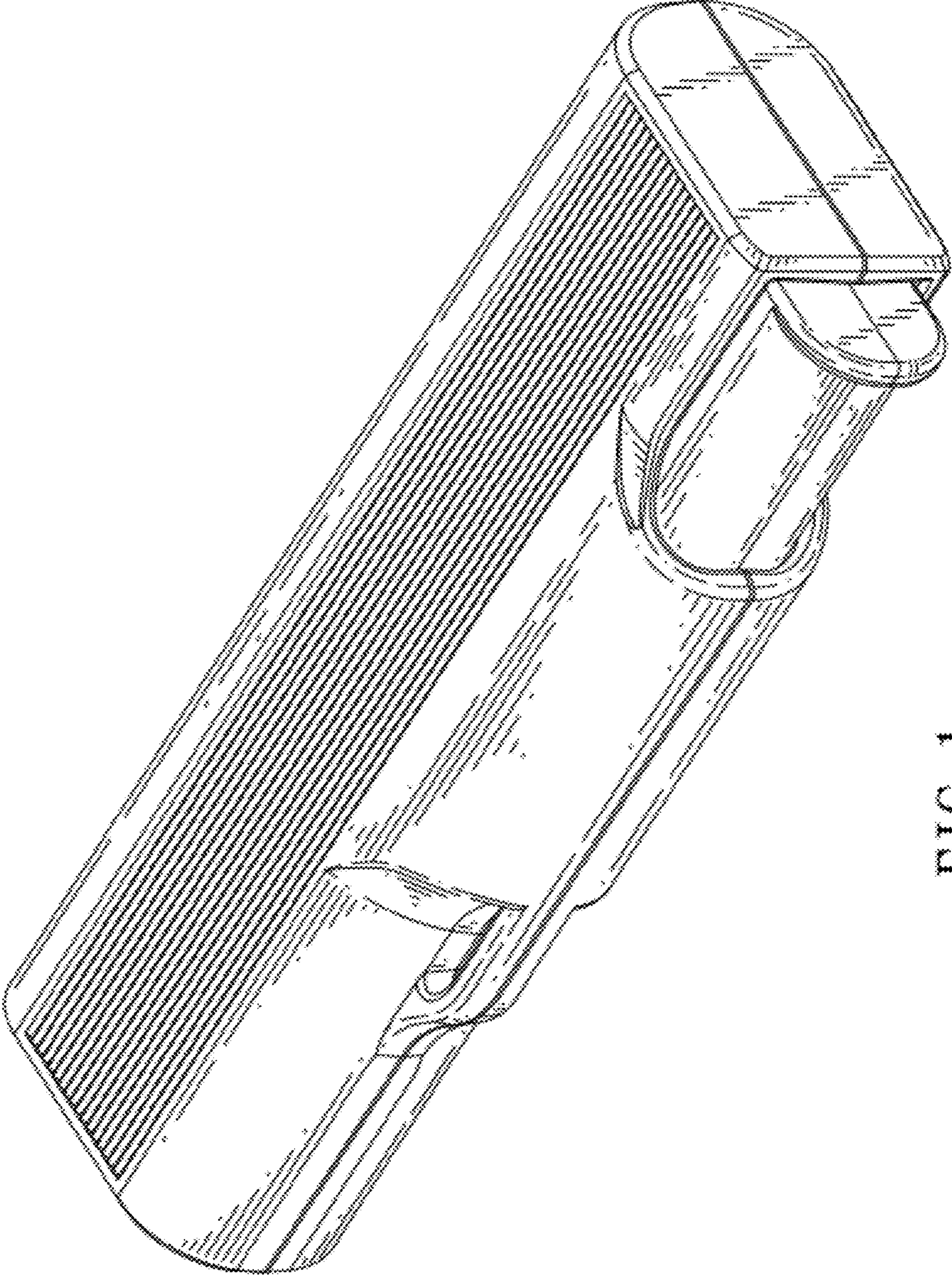


FIG. 1

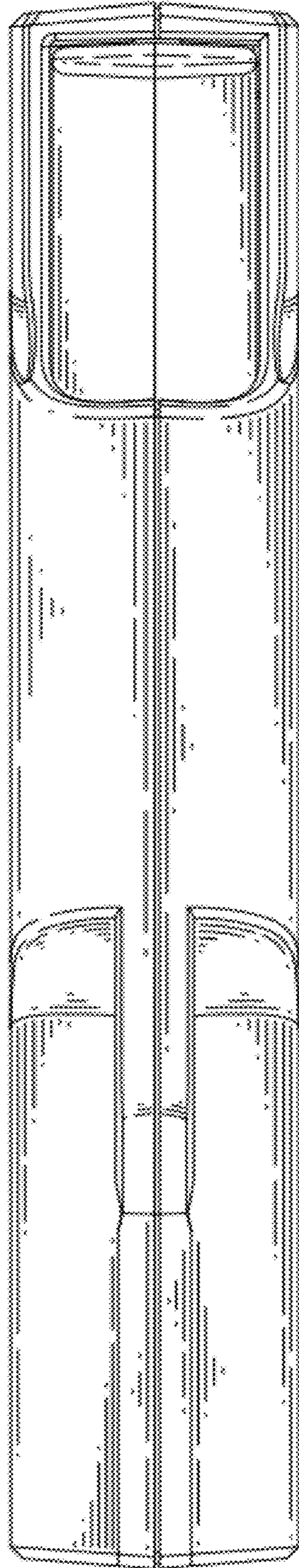


FIG. 2

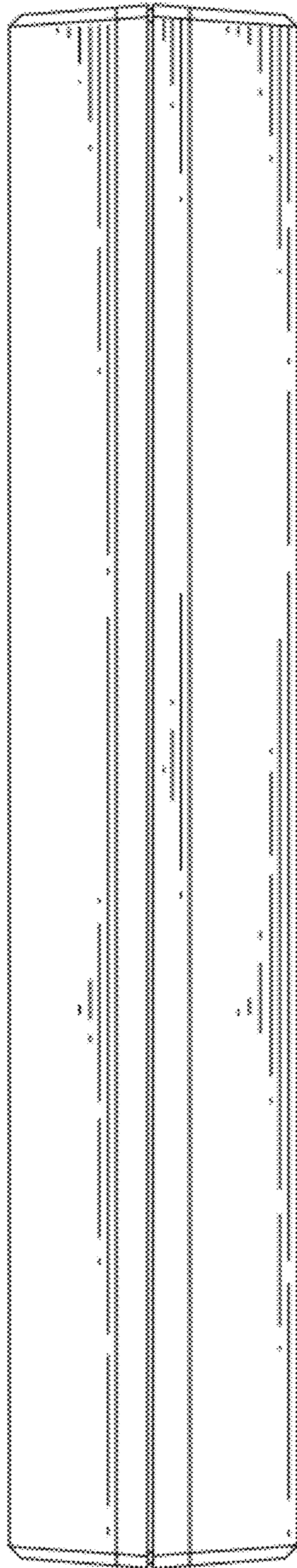


FIG. 3

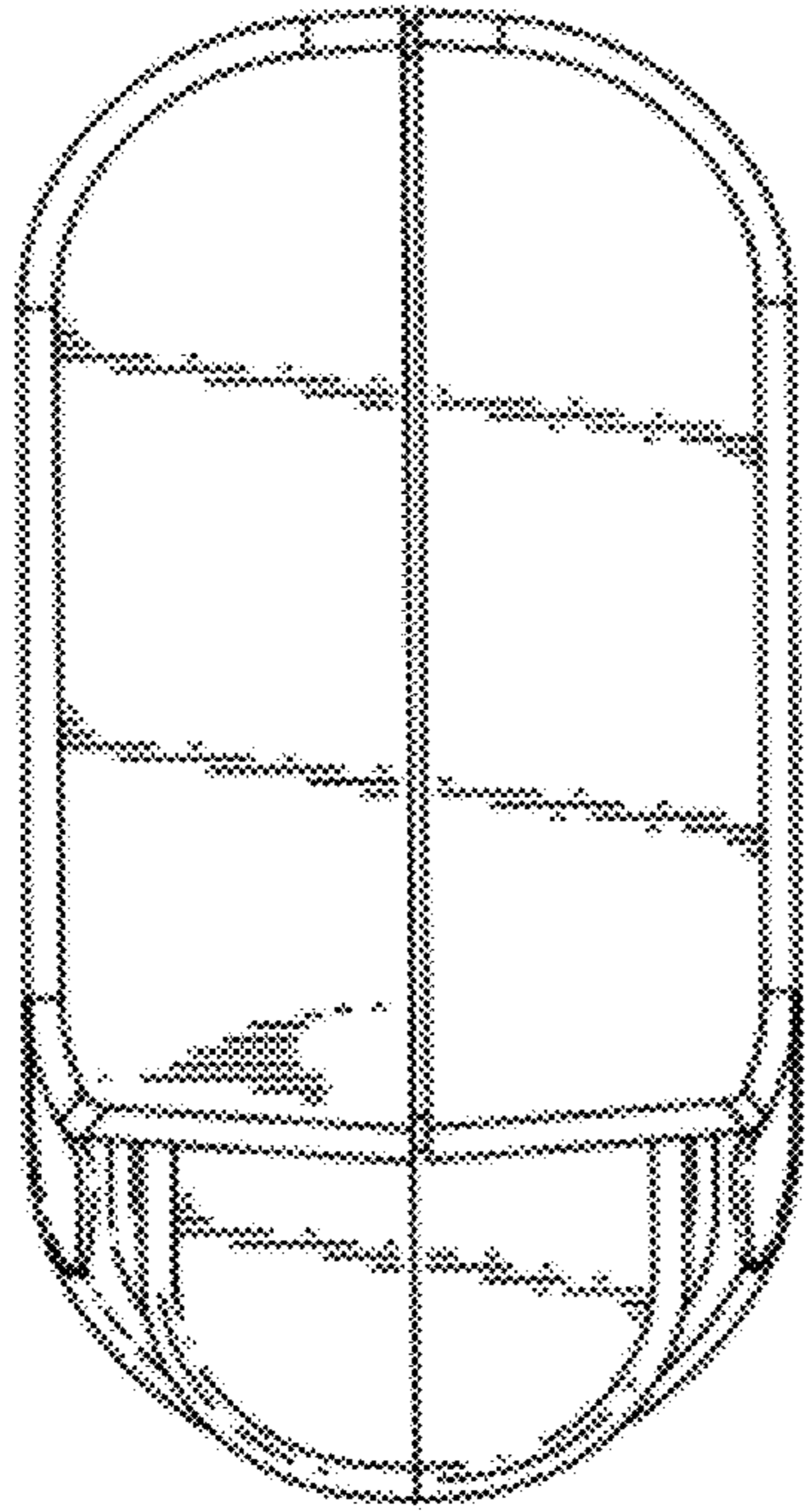


FIG. 5

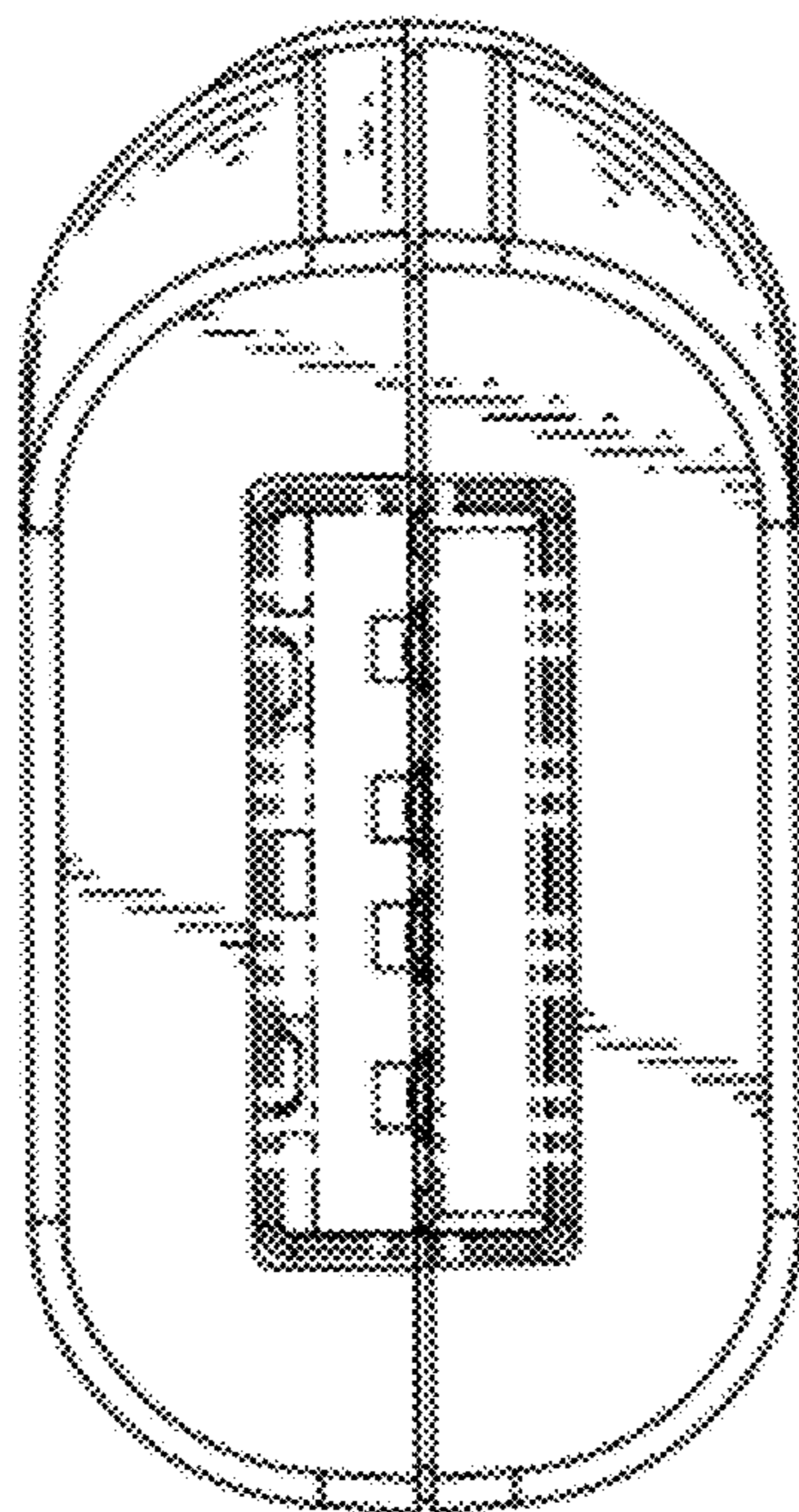


FIG. 4

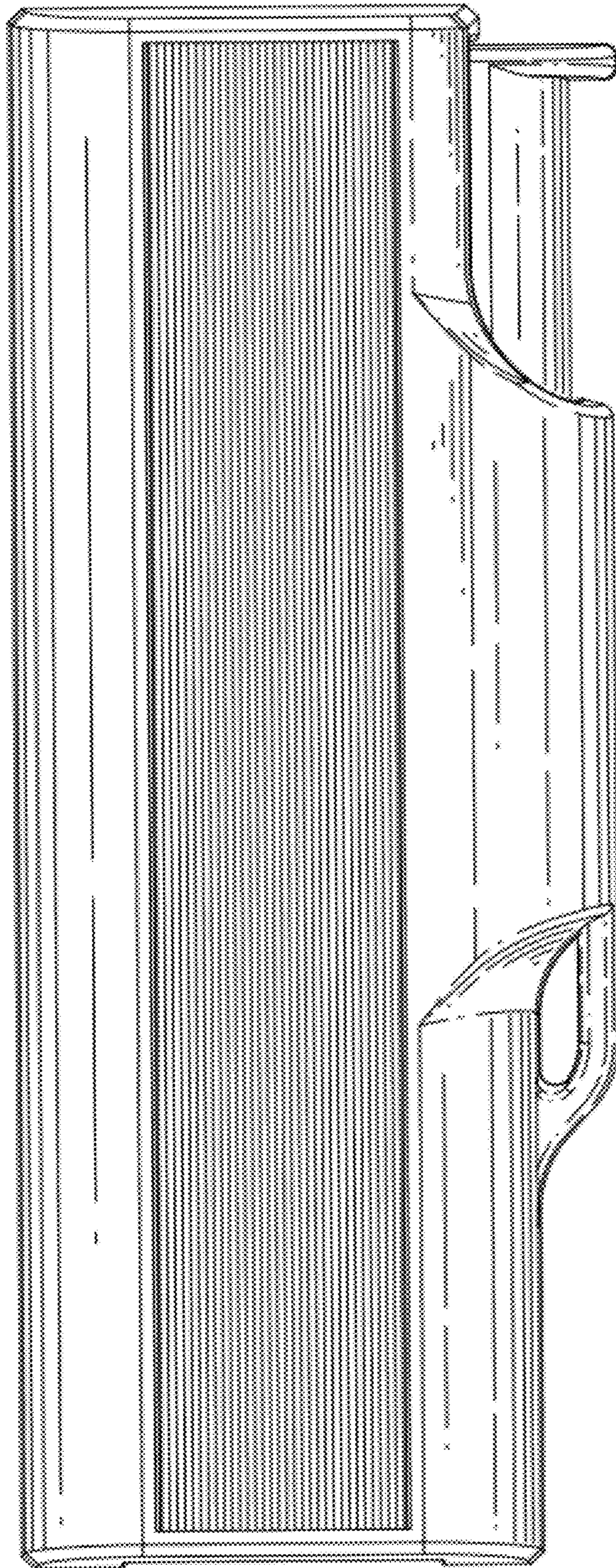


FIG. 6

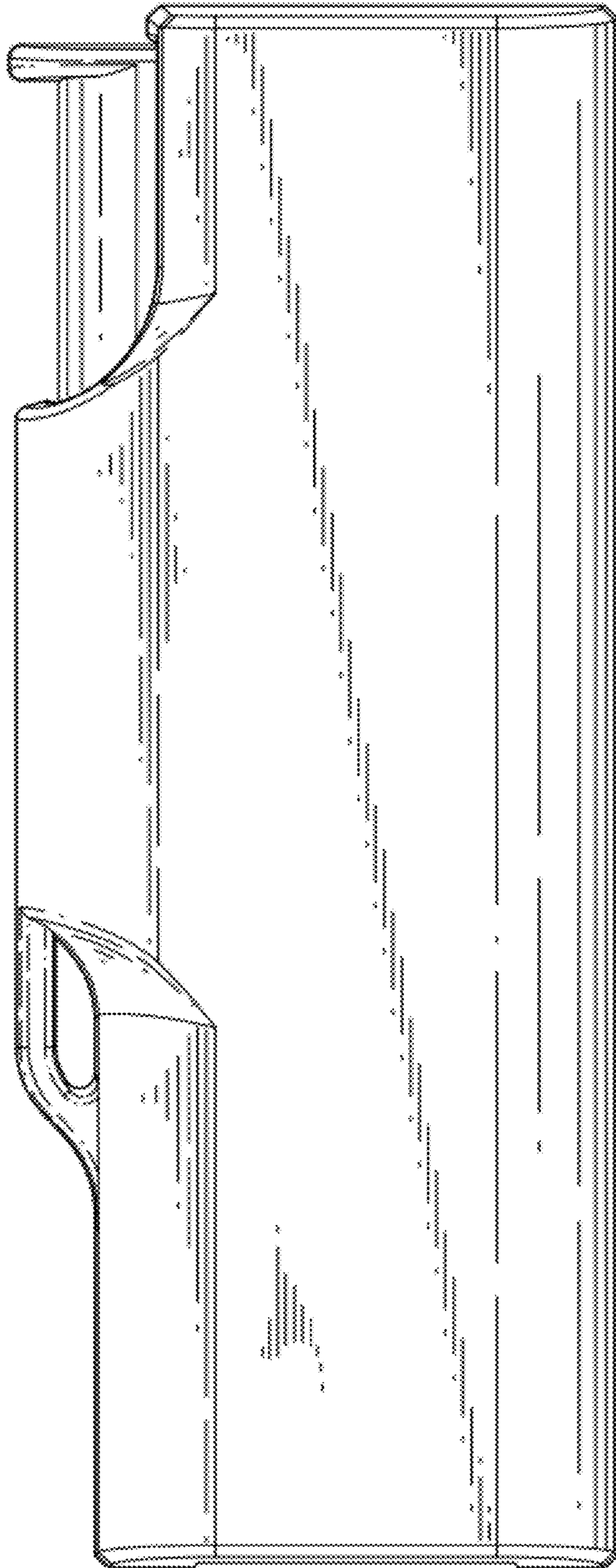


FIG. 7

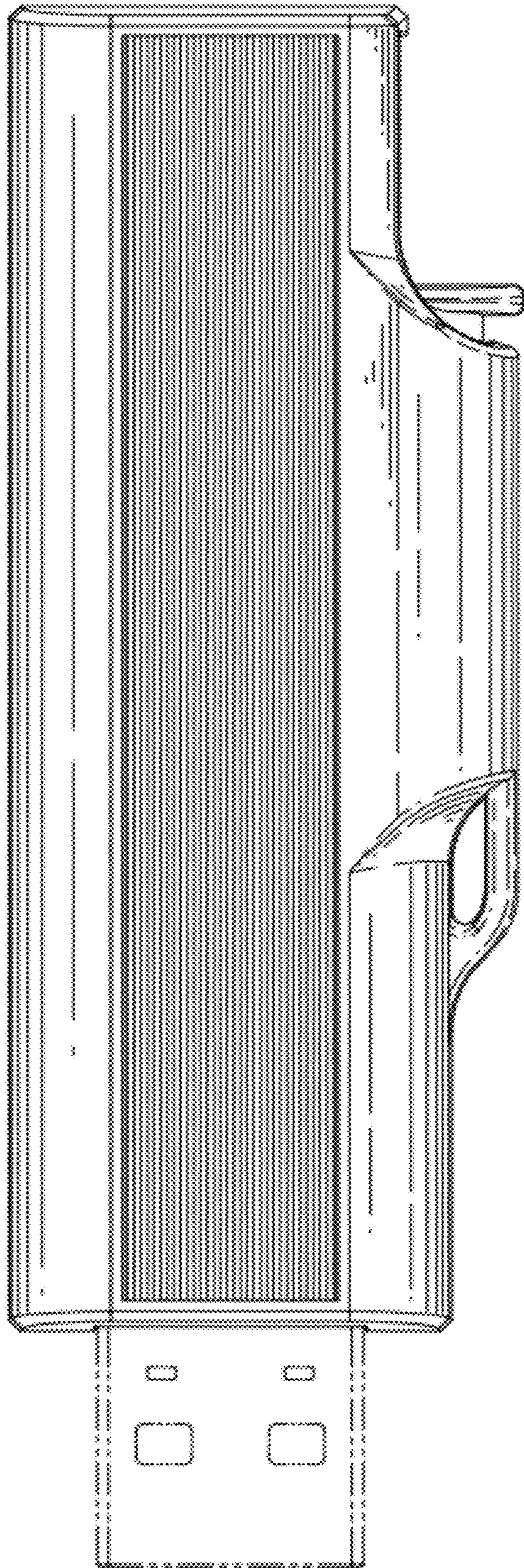


FIG. 8