



US00D654081S

(12) **United States Design Patent**
Richter

(10) **Patent No.:** **US D654,081 S**

(45) **Date of Patent:** **** Feb. 14, 2012**

(54) **UNIVERSAL HOLDER FOR TABLET PCS**

(76) Inventor: **Harald Richter**, Engelbrand (DE)

(**) Term: **14 Years**

(21) Appl. No.: **29/374,421**

(22) Filed: **Aug. 10, 2011**

(51) **LOC (9) Cl.** **14-02**

(52) **U.S. Cl.** **D14/452**

(58) **Field of Classification Search** D14/452,
D14/451, 448, 447, 239, 253; D8/349, 363,
D8/373, 380; 248/917-924, 122.1, 124.1,
248/125.8, 371, 393, 157, 425, 176.1, 186.1;
361/679.02, 679.04, 679.05, 679.06, 679.07,
361/679.21, 679.22

See application file for complete search history.

(56) **References Cited**

U.S. PATENT DOCUMENTS

D545,826 S *	7/2007	Richter	D14/447
D554,137 S *	10/2007	Richter	D14/447
D558,560 S *	1/2008	Ciungan	D8/363
D567,810 S *	4/2008	Yeh	D14/253
D579,854 S *	11/2008	Mo	D12/415
D580,847 S *	11/2008	Mo	D12/415
D590,835 S *	4/2009	Richter	D14/447
D603,322 S *	11/2009	Nicieja	D12/415
D614,631 S *	4/2010	Chiang	D14/447
D619,587 S *	7/2010	Richter	D14/447

D629,405 S *	12/2010	Crysell	D14/447
D630,222 S *	1/2011	Lin	D14/447
2007/0012825 A1 *	1/2007	Yeh	248/122.1

* cited by examiner

Primary Examiner — Angela J Lee

(57) **CLAIM**

The ornamental design for a universal holder for tablet PCs, as shown and described.

DESCRIPTION

FIG. 1 is a perspective side view of a universal holder for tablet PCs;

FIG. 2 is a rear view of the universal holder for tablet PCs shown in FIG. 1,

FIG. 3 is a front view of the universal holder for tablet PCs shown in FIG. 2,

FIG. 4 is a left side view of the universal holder for tablet PCs shown in FIG. 3,

FIG. 5 is a right side view of the universal holder for tablet PCs shown in FIG. 3,

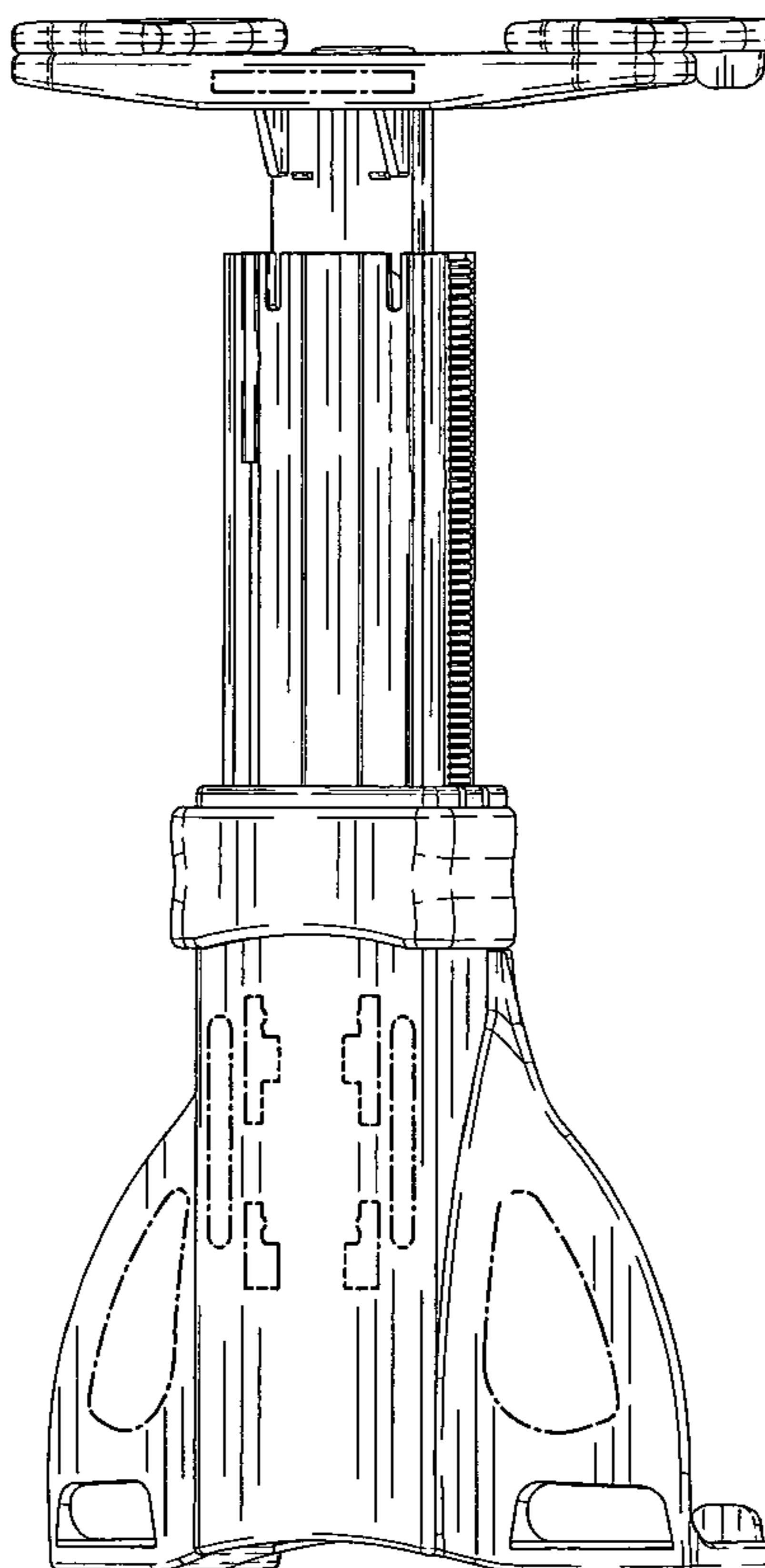
FIG. 6 is a top view of the universal holder for tablet PCs shown in FIG. 3; and,

FIG. 7 is a bottom view of the universal holder for tablet PCs as shown in FIG. 3.

The portions of the universal holder for tablet PCs shown in broken lines form no part of the claimed design.

The universal holder for tablet PCs is used for supporting tablet PCs on a support device.

1 Claim, 5 Drawing Sheets



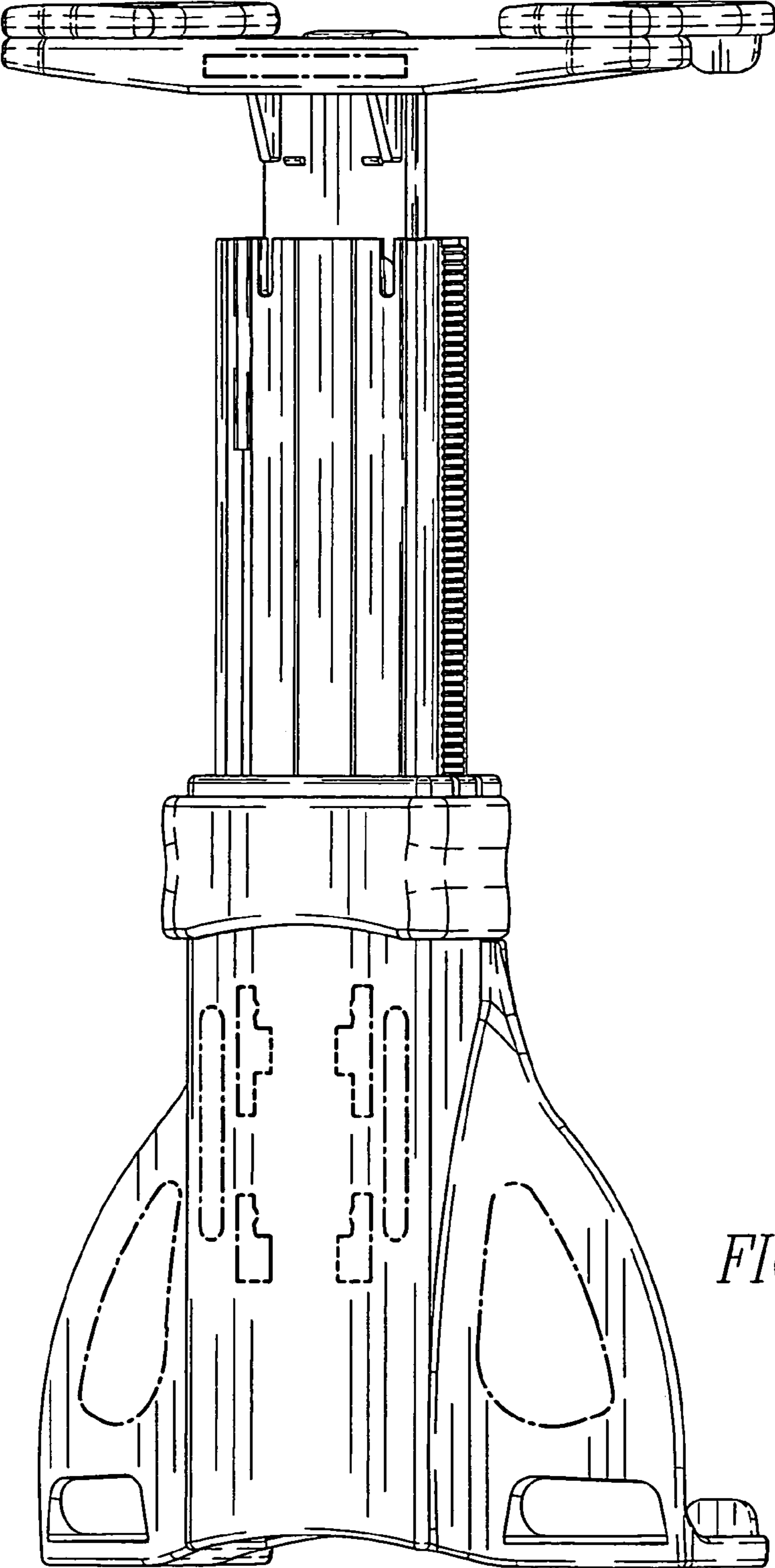


FIG. 1

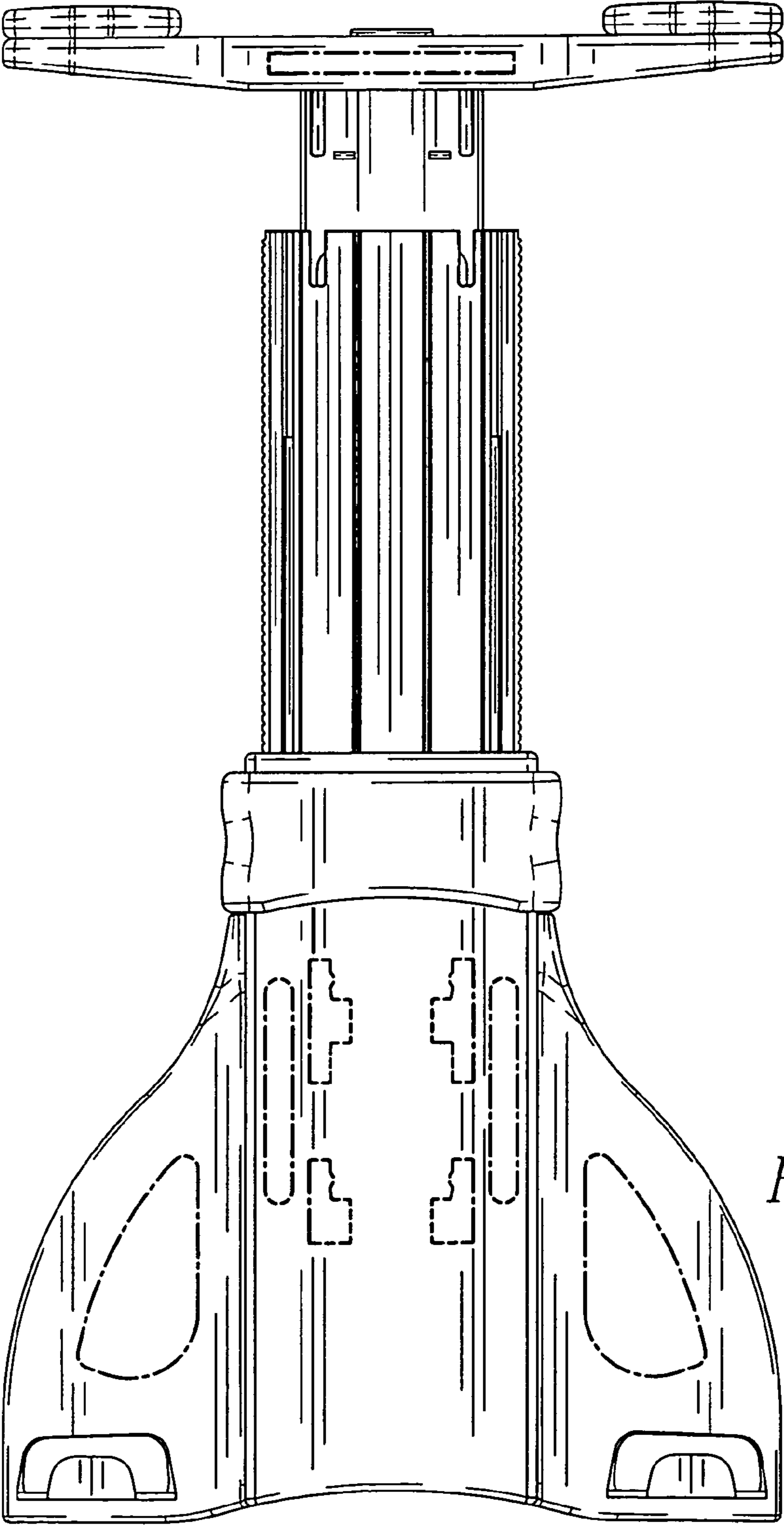


FIG. 2

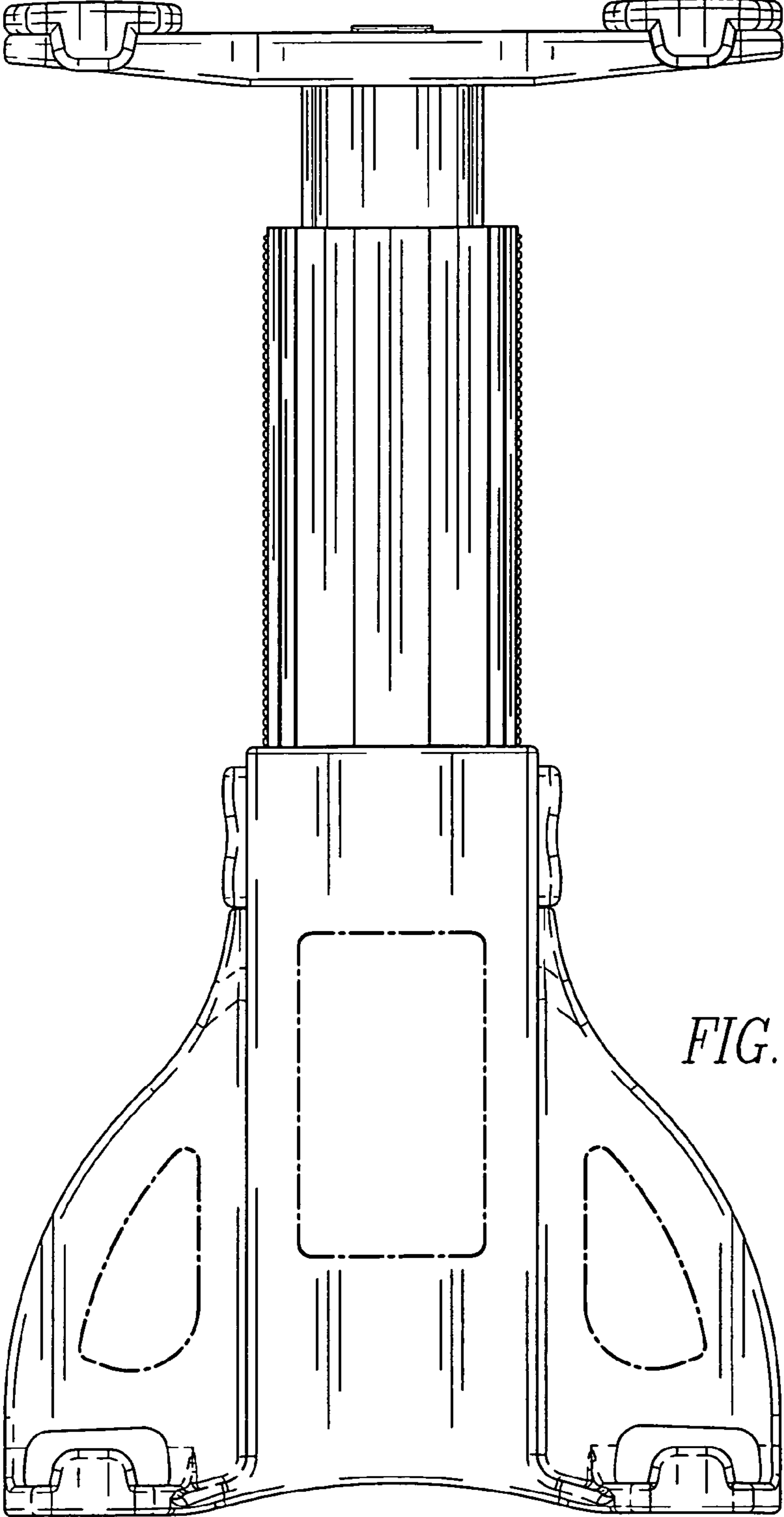


FIG. 3

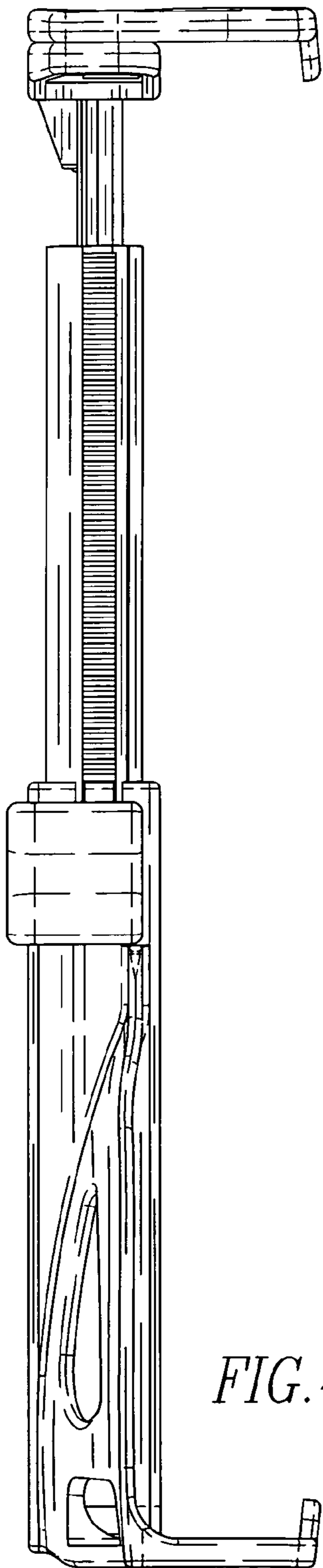


FIG. 4

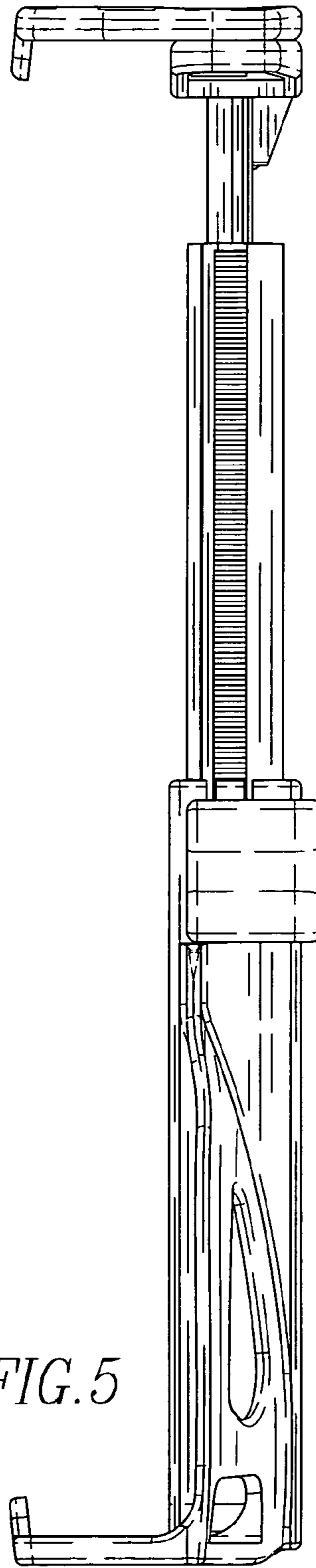


FIG. 5

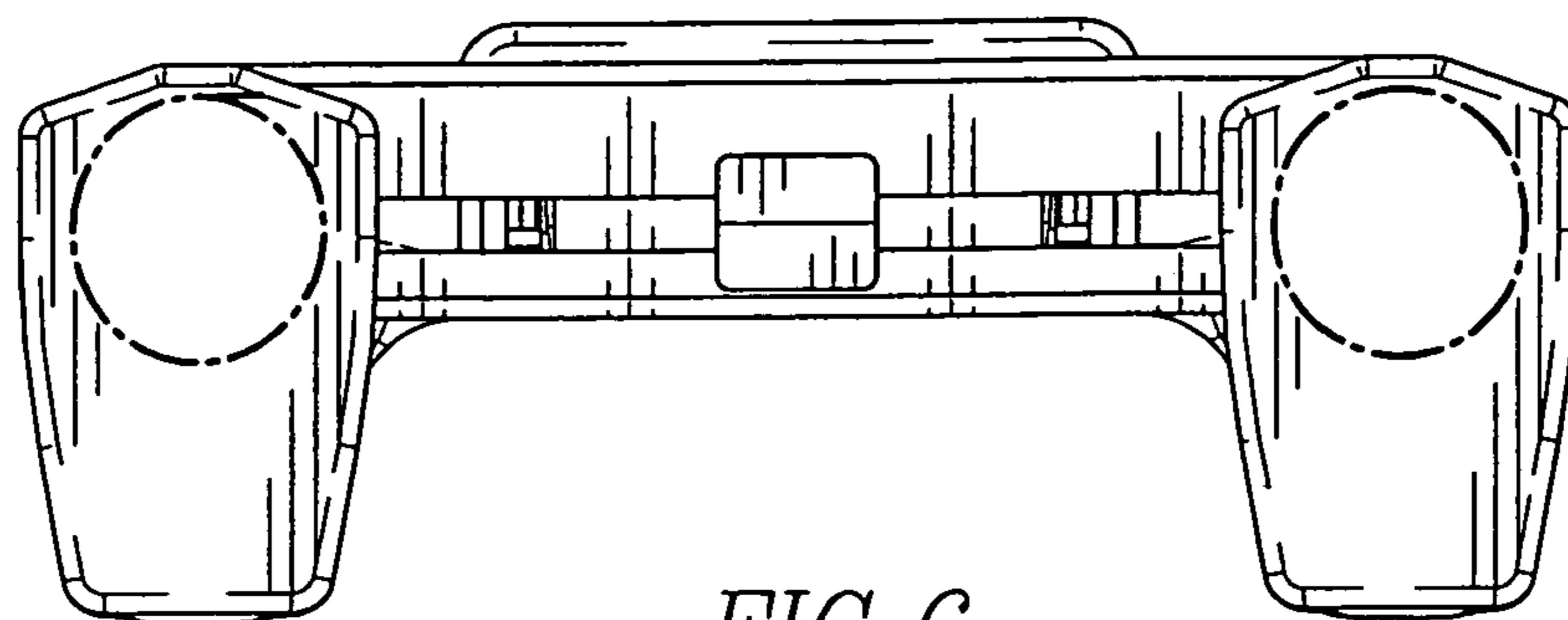


FIG. 6

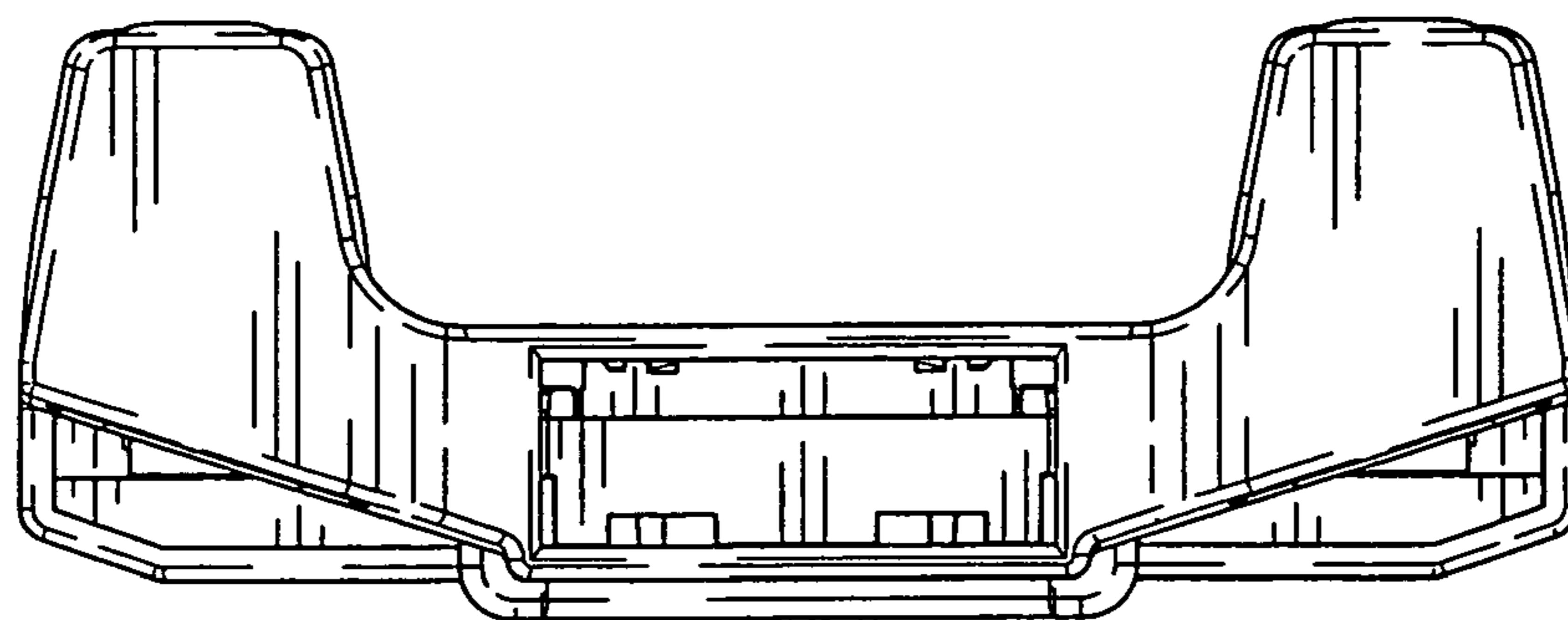


FIG. 7