



US00D654078S

(12) **United States Design Patent**
Zhou et al.

(10) **Patent No.:** **US D654,078 S**
(45) **Date of Patent:** **** Feb. 14, 2012**

(54) **DOCKING STATION**

(75) Inventors: **Cong-Bing Zhou**, Shenzhen (CN);
Chia-Te Yu, New Taipei (TW); **Lin-Lin Pan**,
Shenzhen (CN); **Quan-Chang Cheng**, Shenzhen (CN)

(73) Assignee: **Hon Hai Precision Industry Co., Ltd.**,
Tu-Cheng, New Taipei (TW)

(**) Term: **14 Years**

(21) Appl. No.: **29/396,648**

(22) Filed: **Jul. 5, 2011**

(51) **LOC (9) Cl.** **14-02**

(52) **U.S. Cl.** **D14/434**

(58) **Field of Classification Search** D14/432-434,
D14/314, 204, 420, 421, 447, 217, 358; D13/107,
D13/108, 146; D8/373; 248/346.03, 176.1;
361/679.41, 679.31, 679.32, 679.4, 679.43,
361/679.55, 679.58, 679.33; 320/109, 112-115;
710/15, 303; 455/557; 439/347, 534
See application file for complete search history.

(56) **References Cited**

U.S. PATENT DOCUMENTS

5,248,264	A *	9/1993	Long et al.	439/347
D411,835	S *	7/1999	Mizusugi et al.	D14/434
6,290,534	B1 *	9/2001	Sadler	439/534
D520,013	S *	5/2006	Yang	D14/434
D540,802	S *	4/2007	Hussaini et al.	D14/434

D601,089	S *	9/2009	Lin	D13/108
7,583,499	B2 *	9/2009	Lin et al.	361/679.58
D607,879	S *	1/2010	Ferber et al.	D14/217
D609,697	S *	2/2010	Legrand et al.	D14/217
D627,785	S *	11/2010	Bouthillier	D14/434

* cited by examiner

Primary Examiner — Freda S Nunn

(74) *Attorney, Agent, or Firm* — Altis Law Group, Inc.

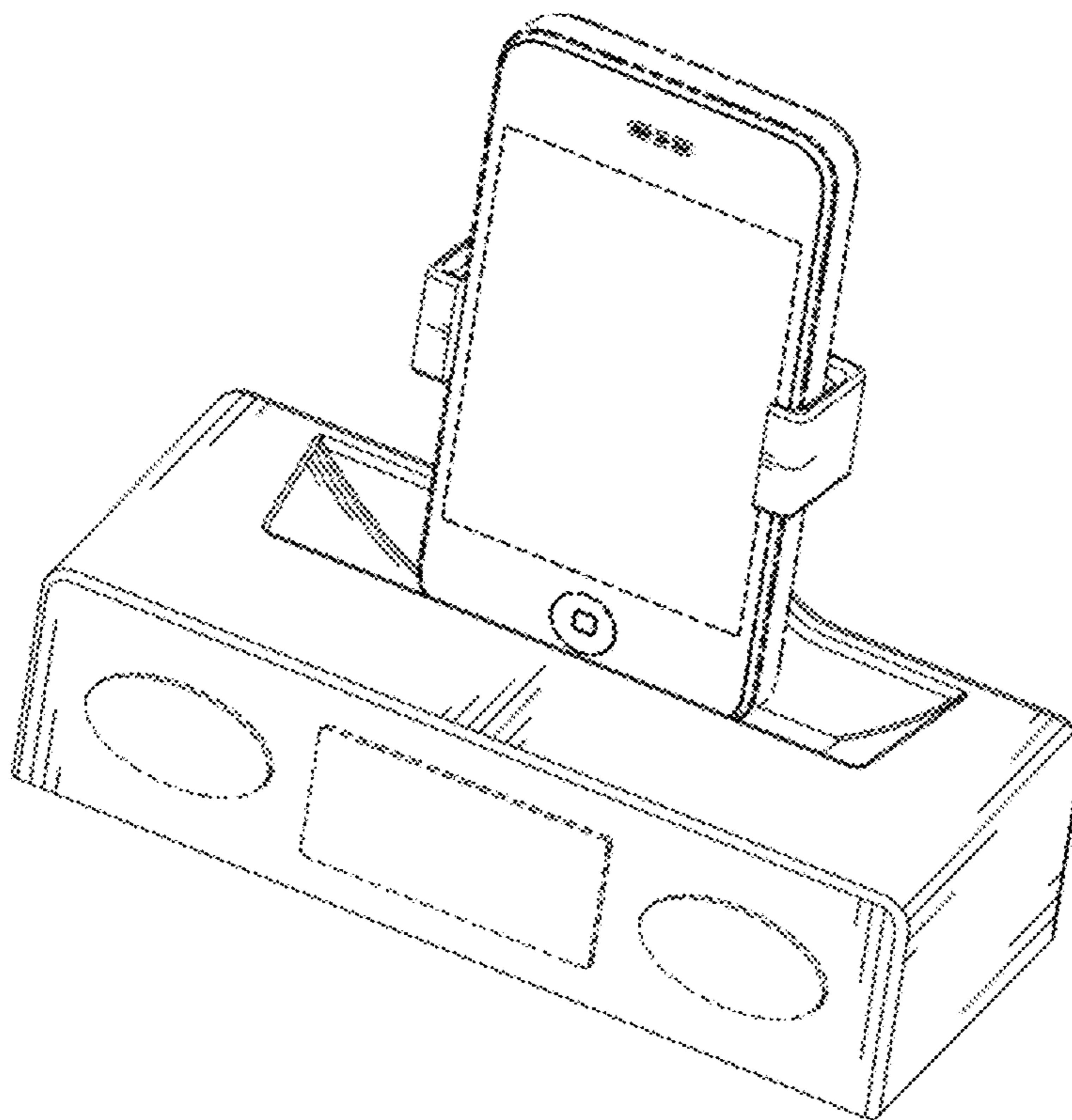
(57) **CLAIM**

The ornamental design for a docking station, as shown and described.

DESCRIPTION

FIG. 1 is a perspective view of a docking station showing our design;
FIG. 2 is a front elevational view thereof;
FIG. 3 is a rear elevational view thereof;
FIG. 4 is a left side, elevational view thereof;
FIG. 5 is a right side, elevational view thereof;
FIG. 6 is a top planar view thereof;
FIG. 7 is a bottom planar view thereof;
FIG. 8 is a perspective view showing the docking station of FIG. 1 supporting an electronic device in a first state; and, FIG. 9 is a perspective view showing the docking station of FIG. 1 supporting the electronic device in a second state. The broken lines of all the figures are for the purpose of illustrating environmental structures and form no part of the claimed design.

1 Claim, 9 Drawing Sheets



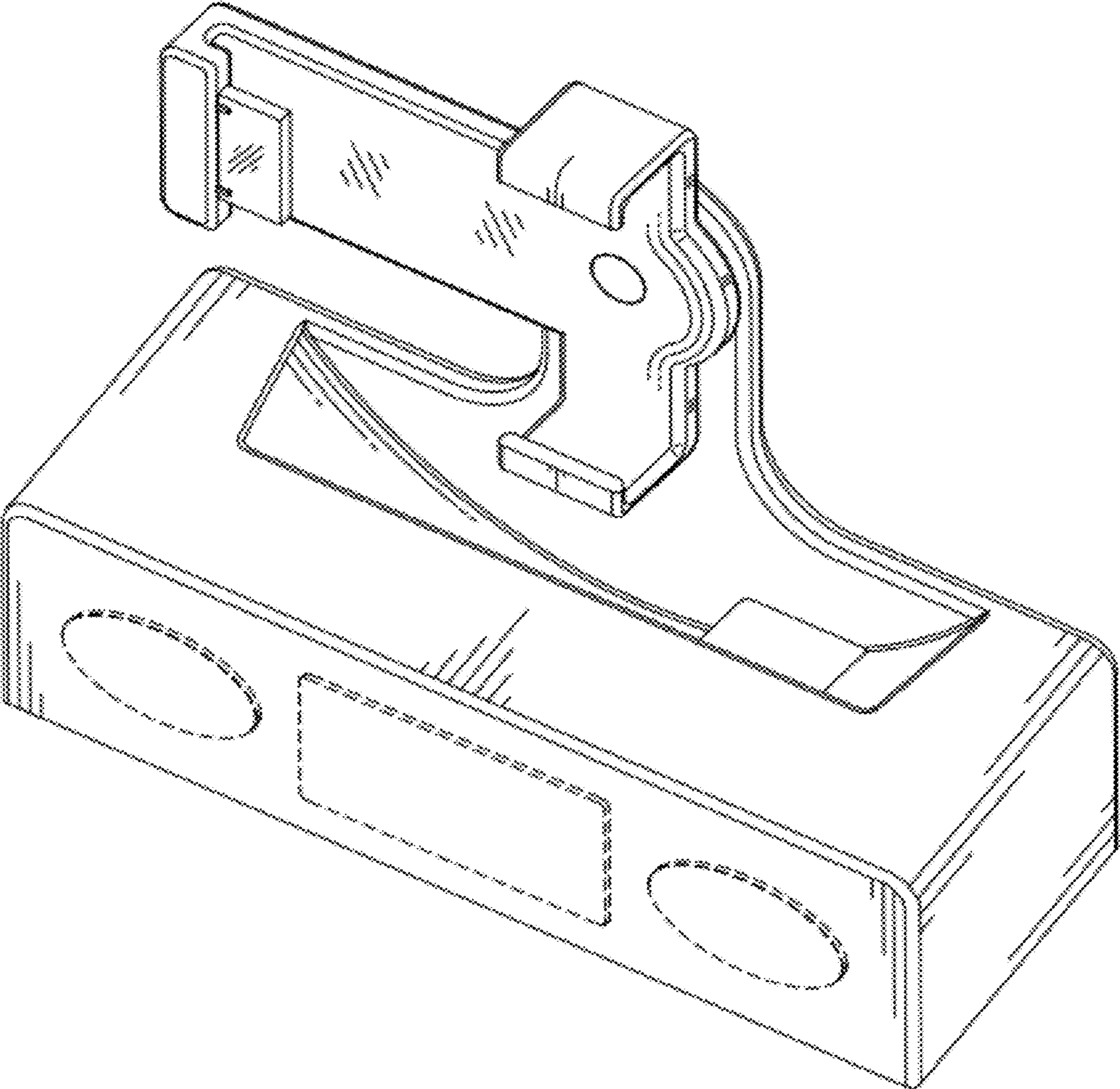


FIG. 1

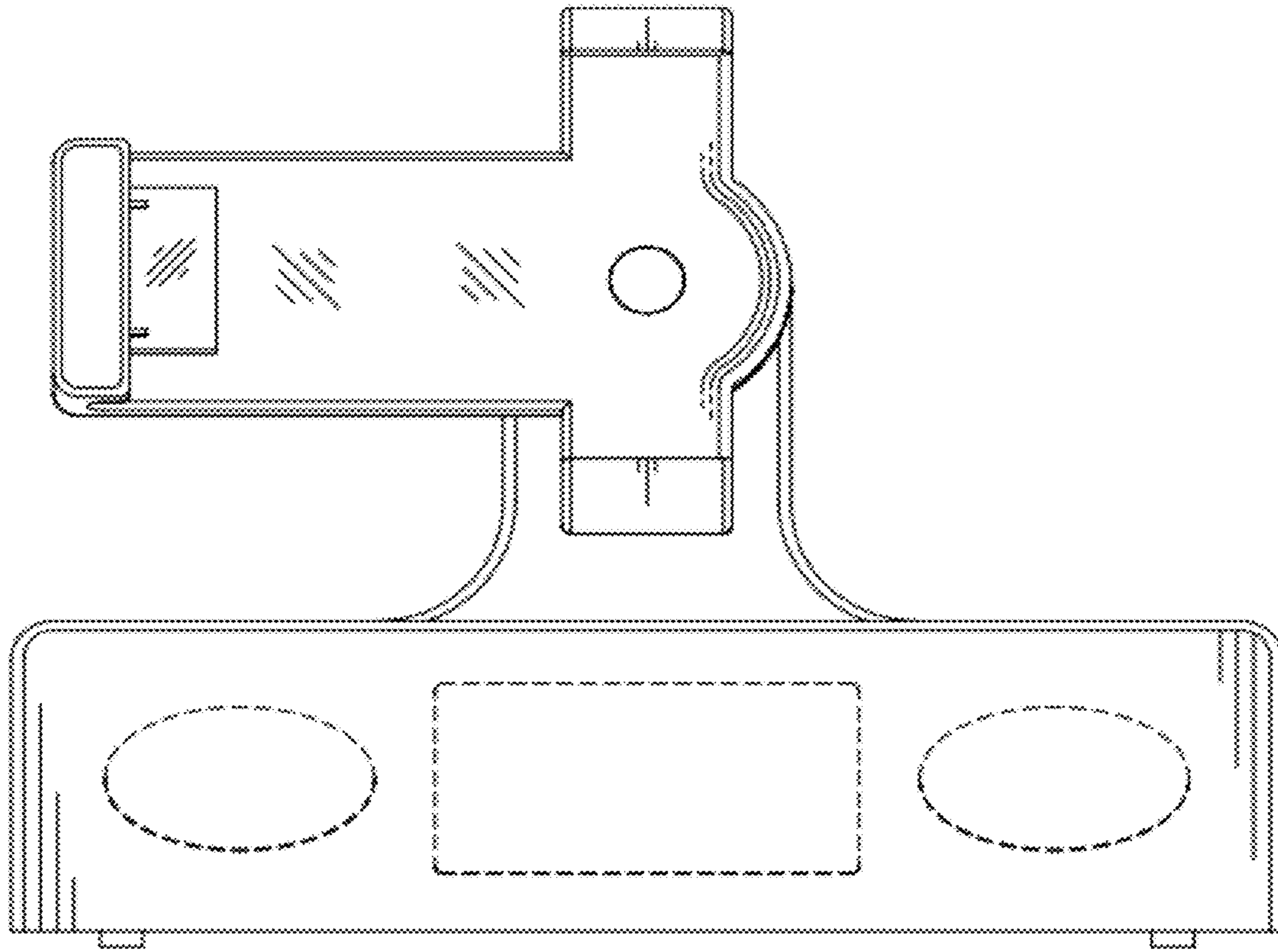


FIG. 2

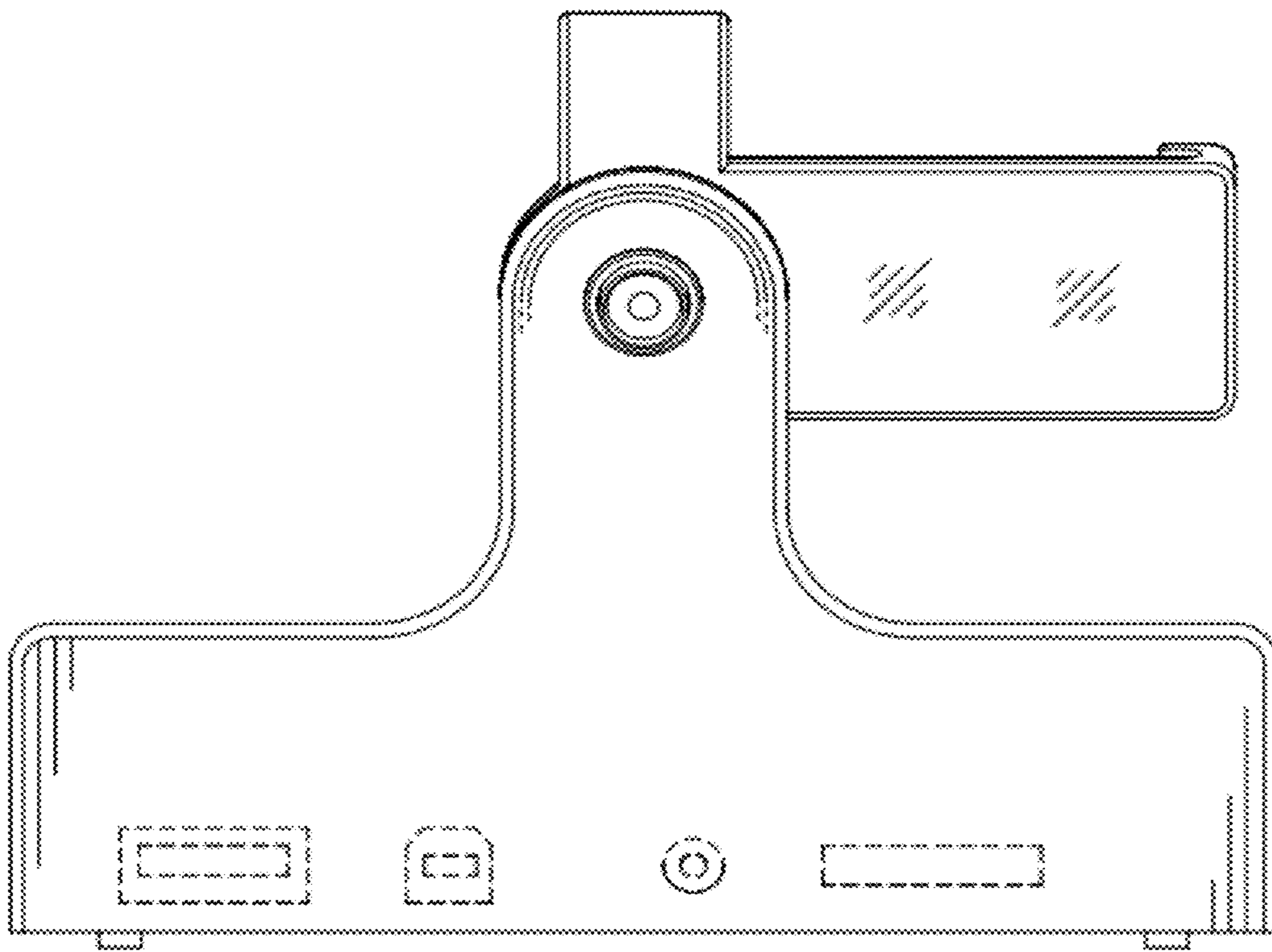


FIG. 3

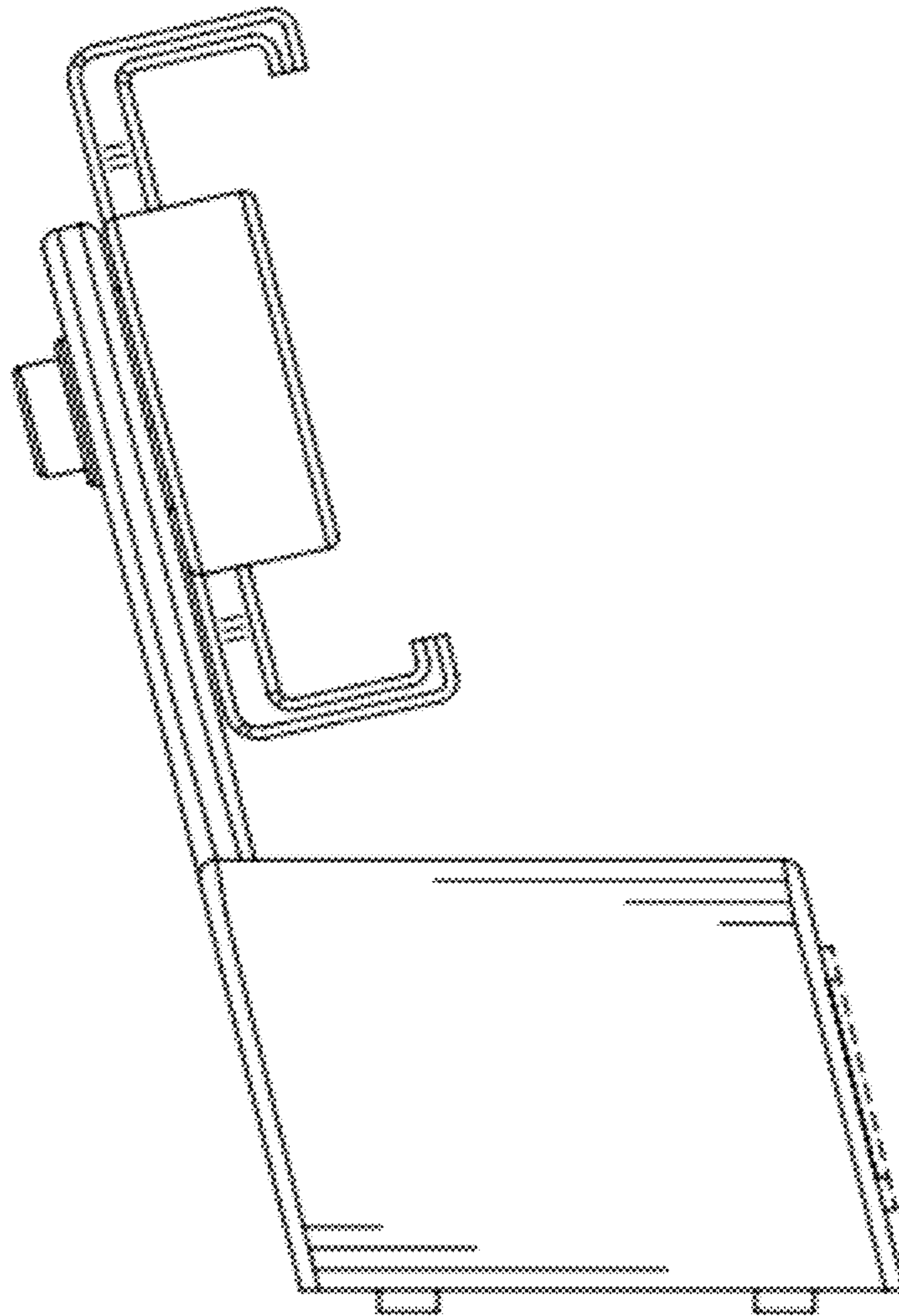


FIG. 4

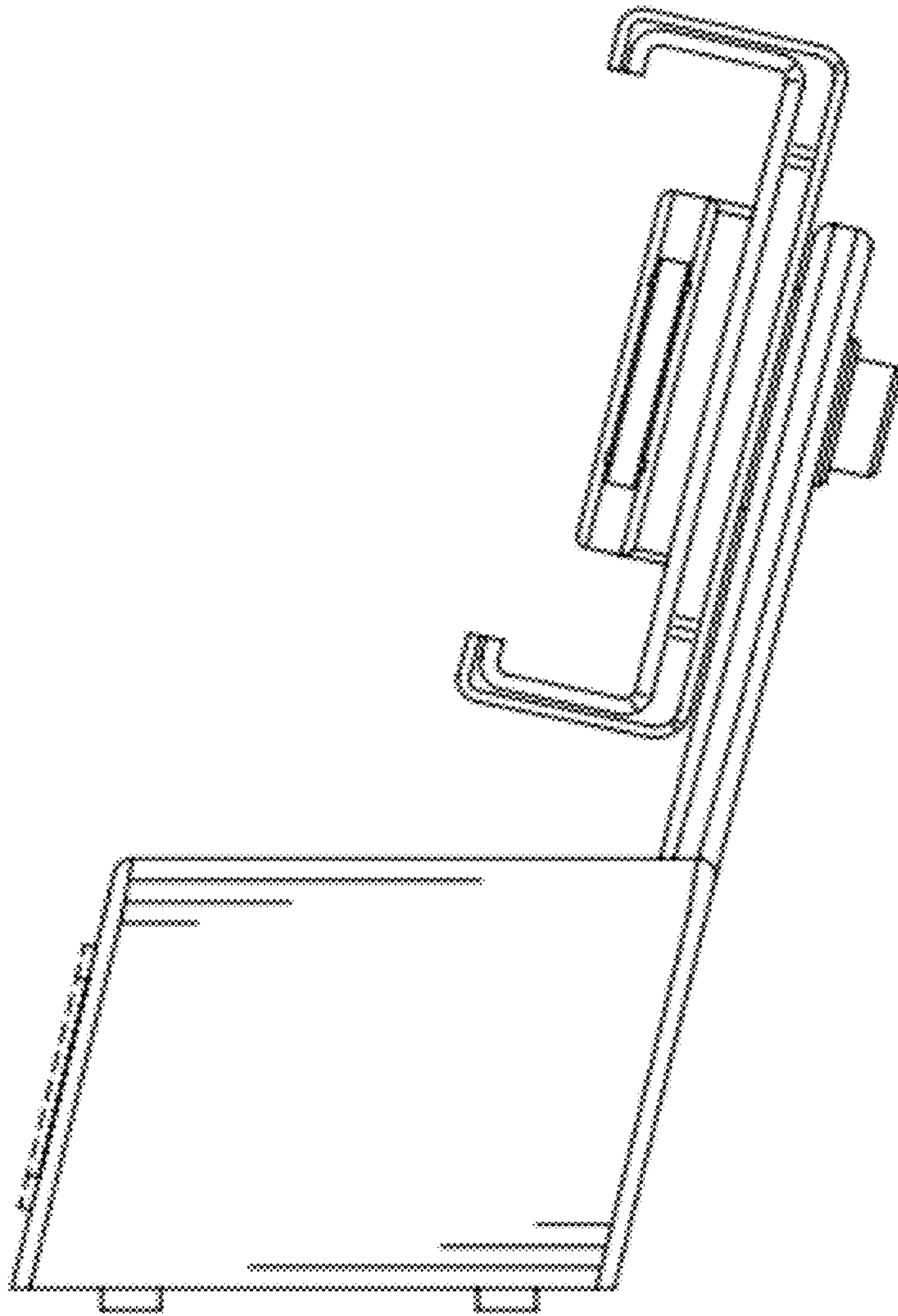


FIG. 5

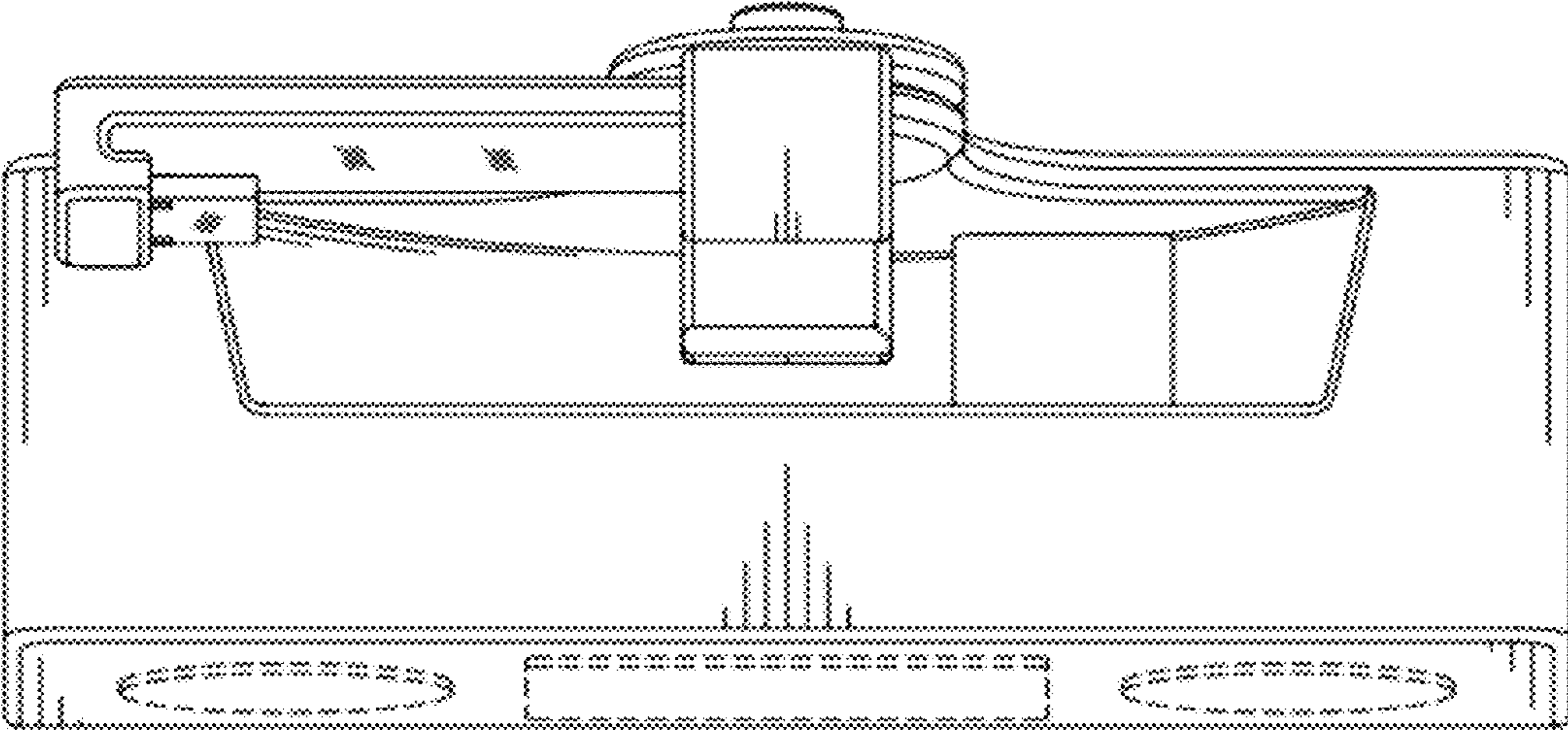


FIG. 6

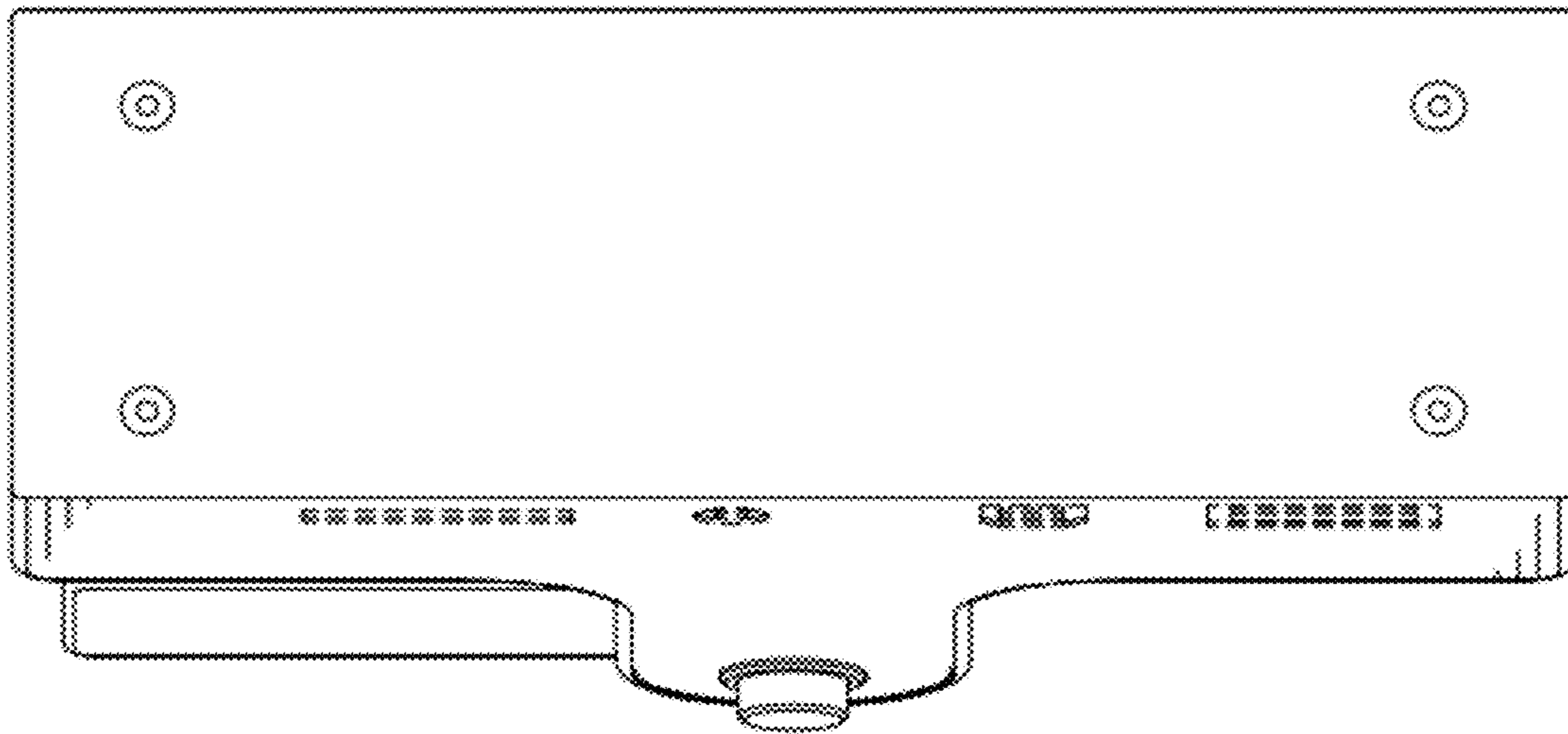


FIG. 7

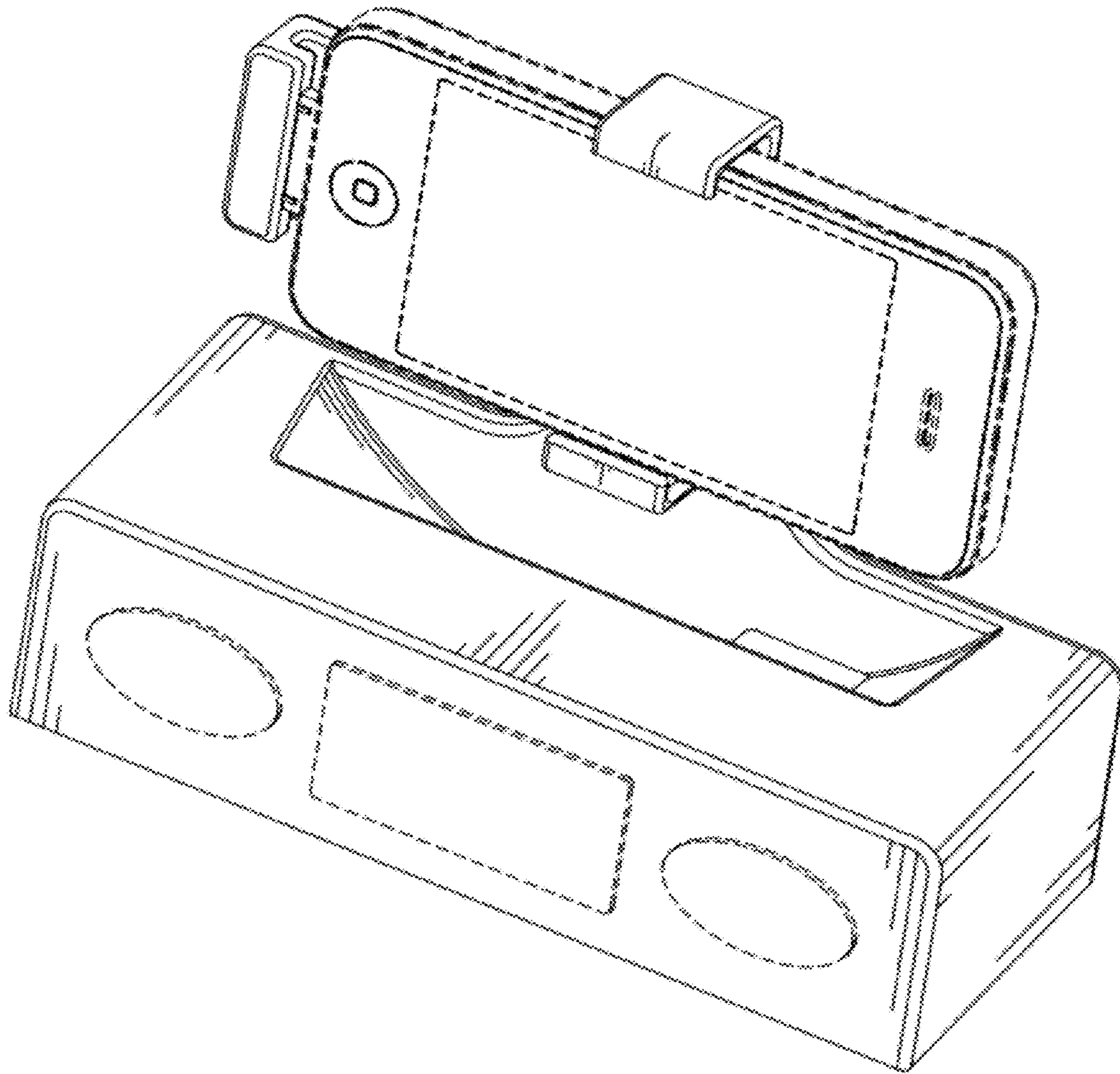


FIG. 8

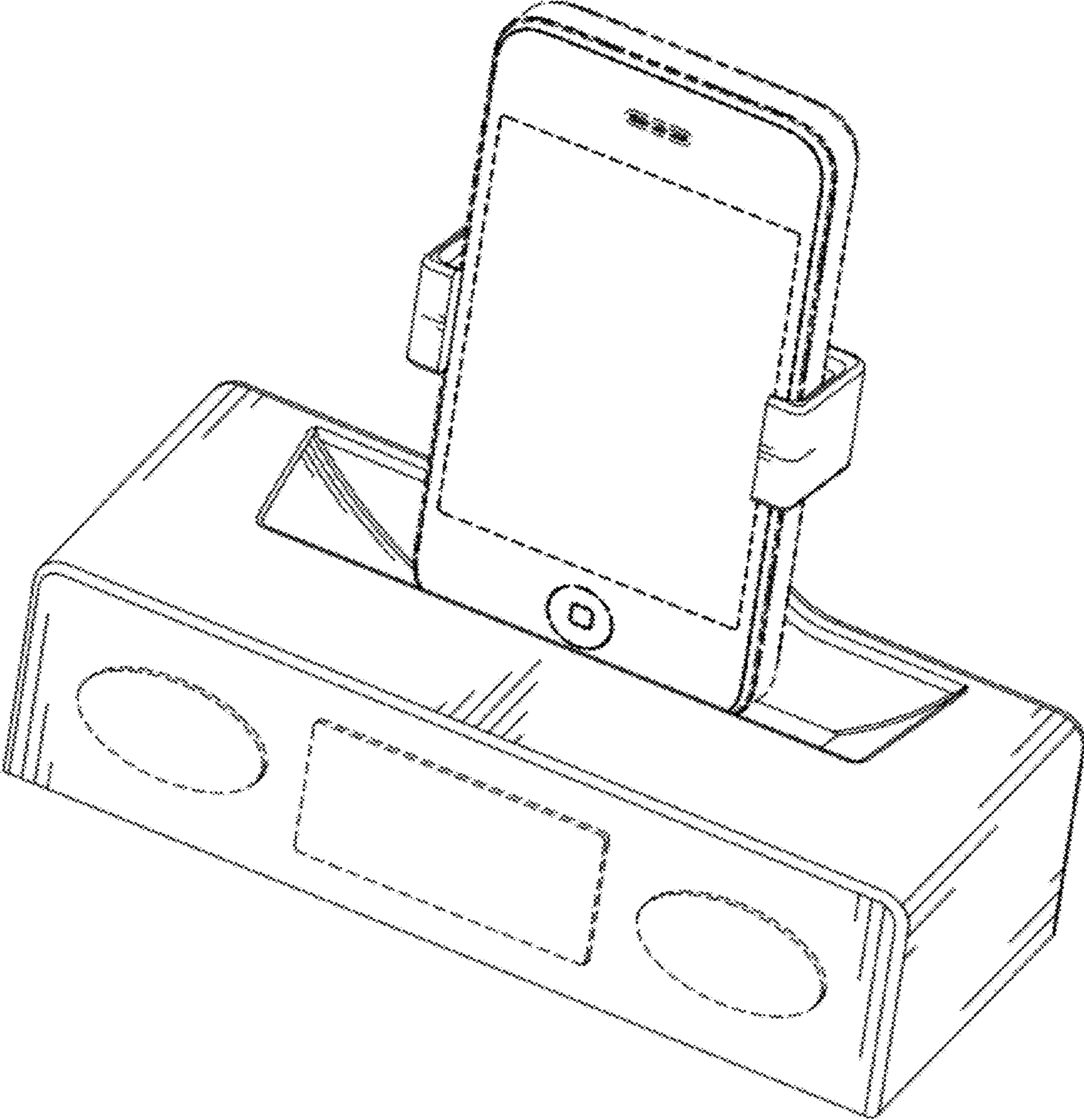


FIG. 9