



US00D654077S

(12) **United States Design Patent**  
**Radin et al.**

(10) **Patent No.:** **US D654,077 S**

(45) **Date of Patent:** **\*\* Feb. 14, 2012**

(54) **AUDIO DOCK FOR A TABLET COMPUTER**

(75) Inventors: **Daniel I. Radin**, Boston, MA (US); **Paul C. Williamson**, Providence, RI (US)

(73) Assignee: **Alesis, L.P.**, Cumberland, RI (US)

(\*\*) Term: **14 Years**

(21) Appl. No.: **29/392,627**

(22) Filed: **May 24, 2011**

(51) **LOC (9) Cl.** ..... **14-02**

(52) **U.S. Cl.** ..... **D14/434**

(58) **Field of Classification Search** ..... D14/432-434,  
D14/314, 204, 420, 421, 447, 217, 358; D13/107,  
D13/108, 146; D8/373; 248/346.03, 176.1;  
361/679.31, 679.32, 679.33, 679.4, 679.41,  
361/679.43, 679.55; 320/109, 112-115;  
341/20, 22, 23; 710/484-489, 492, 303;  
455/557

See application file for complete search history.

(56) **References Cited**

**U.S. PATENT DOCUMENTS**

5,633,782	A *	5/1997	Goodman et al.	.....	361/679.41
5,751,548	A *	5/1998	Hall et al.	.....	361/679.41
5,933,812	A *	8/1999	Meyer et al.	.....	705/15
6,456,492	B1 *	9/2002	Wang et al.	.....	361/679.4
D471,558	S *	3/2003	Wada	.....	D14/434

6,643,127	B1 *	11/2003	Richardson	.....	361/679.4
7,515,408	B2 *	4/2009	Bakker et al.	.....	361/679.33
7,708,240	B2 *	5/2010	Homer et al.	.....	248/130

\* cited by examiner

*Primary Examiner* — Freda S Nunn

(74) *Attorney, Agent, or Firm* — Barlow, Josephs & Holmes, Ltd.

(57) **CLAIM**

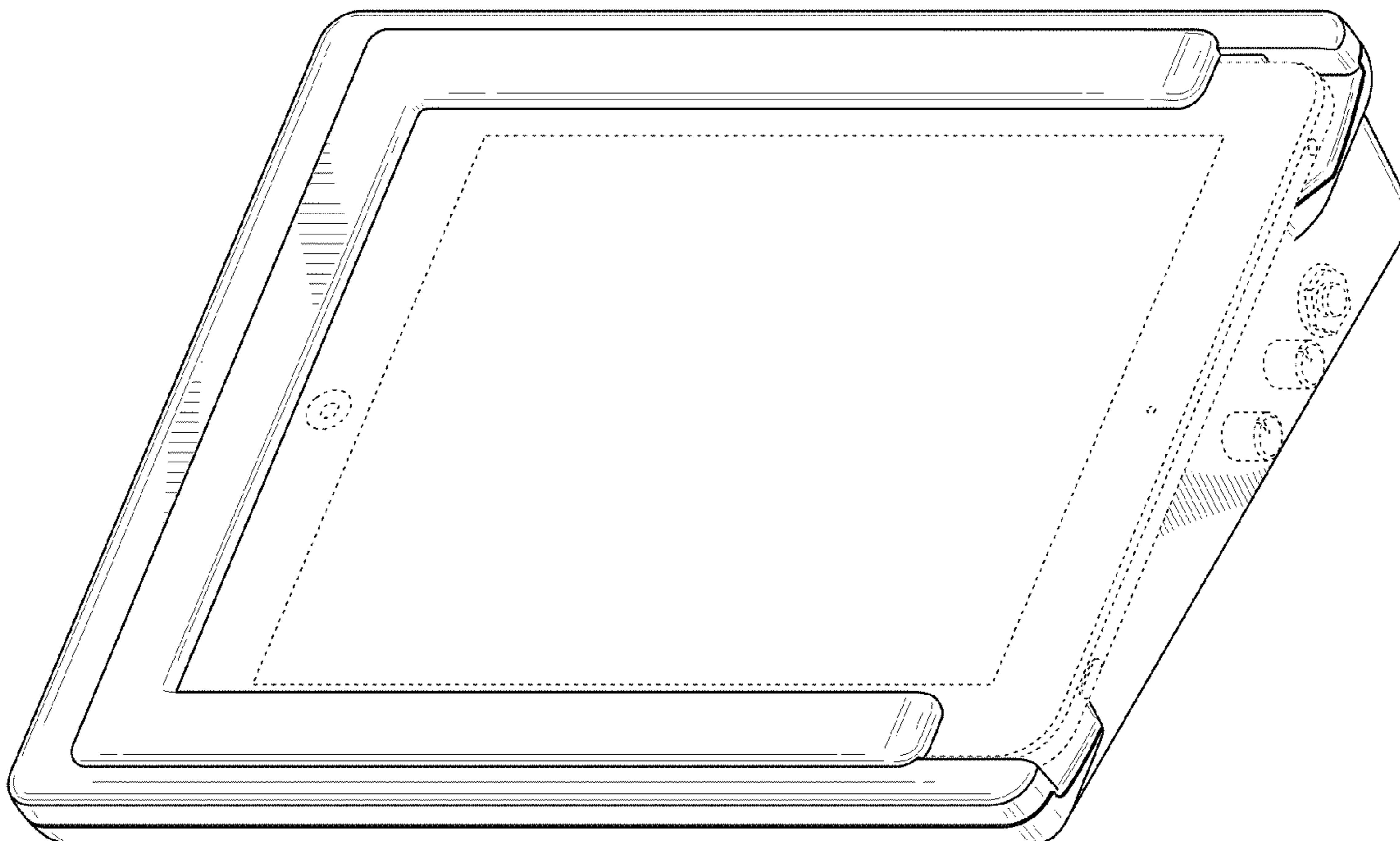
The ornamental design for an audio dock for a tablet computer, as shown and described.

**DESCRIPTION**

FIG. 1 is a front and left side perspective view of an audio dock for a tablet computer showing our new design; FIG. 2 is a top view thereof; FIG. 3 is a bottom view thereof; FIG. 4 is a front elevation view thereof; FIG. 5 is a rear elevation view thereof; FIG. 6 is a right side elevation view thereof; FIG. 7 is a left side elevation view thereof; and, FIG. 8 is a front and left side perspective view thereof wherein the tablet computer is shown in broken lines and seated in the cradle of the audio dock.

The elements depicted in broken lines in the figures are included for environmental purposes only and from no part of the claimed design.

**1 Claim, 6 Drawing Sheets**



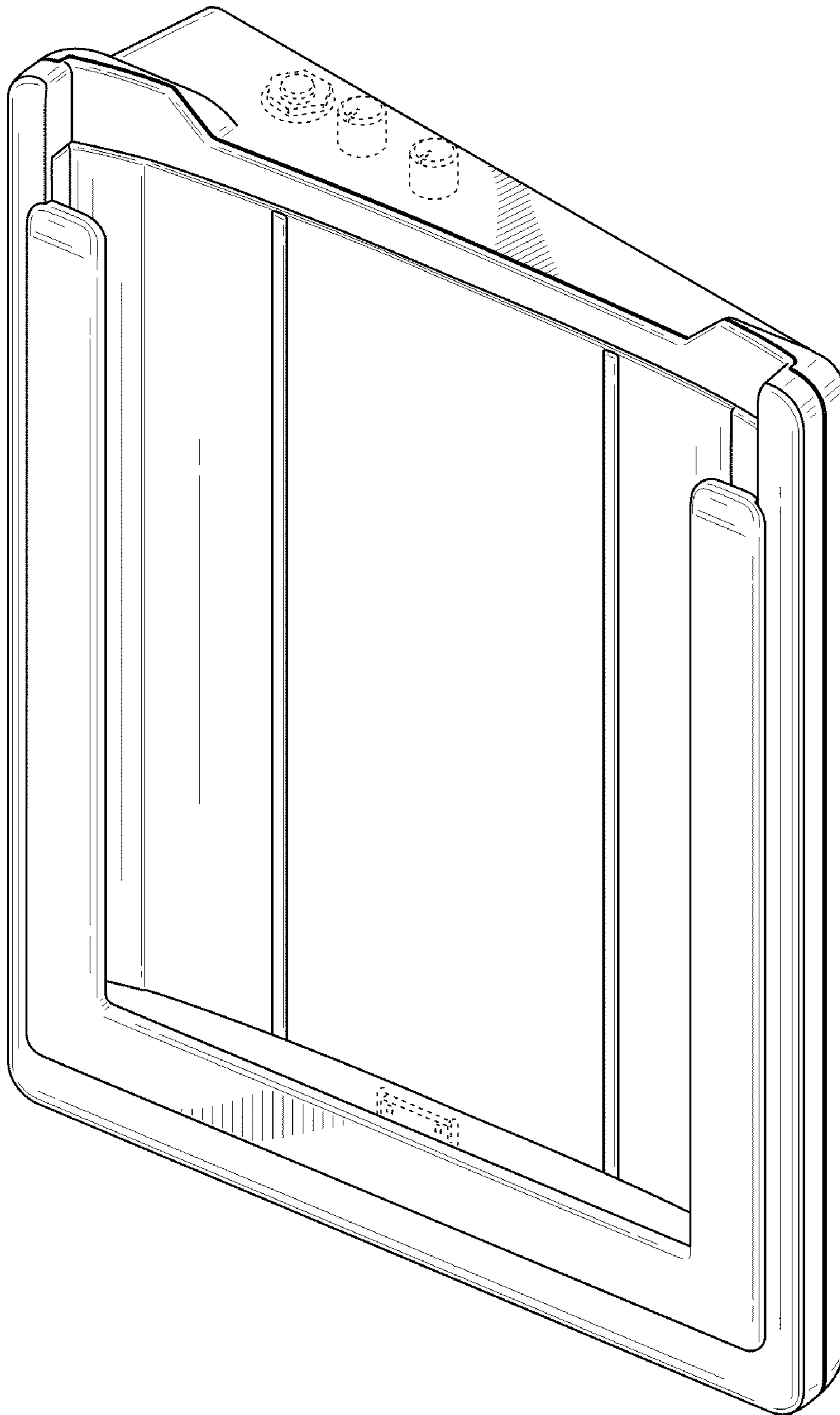
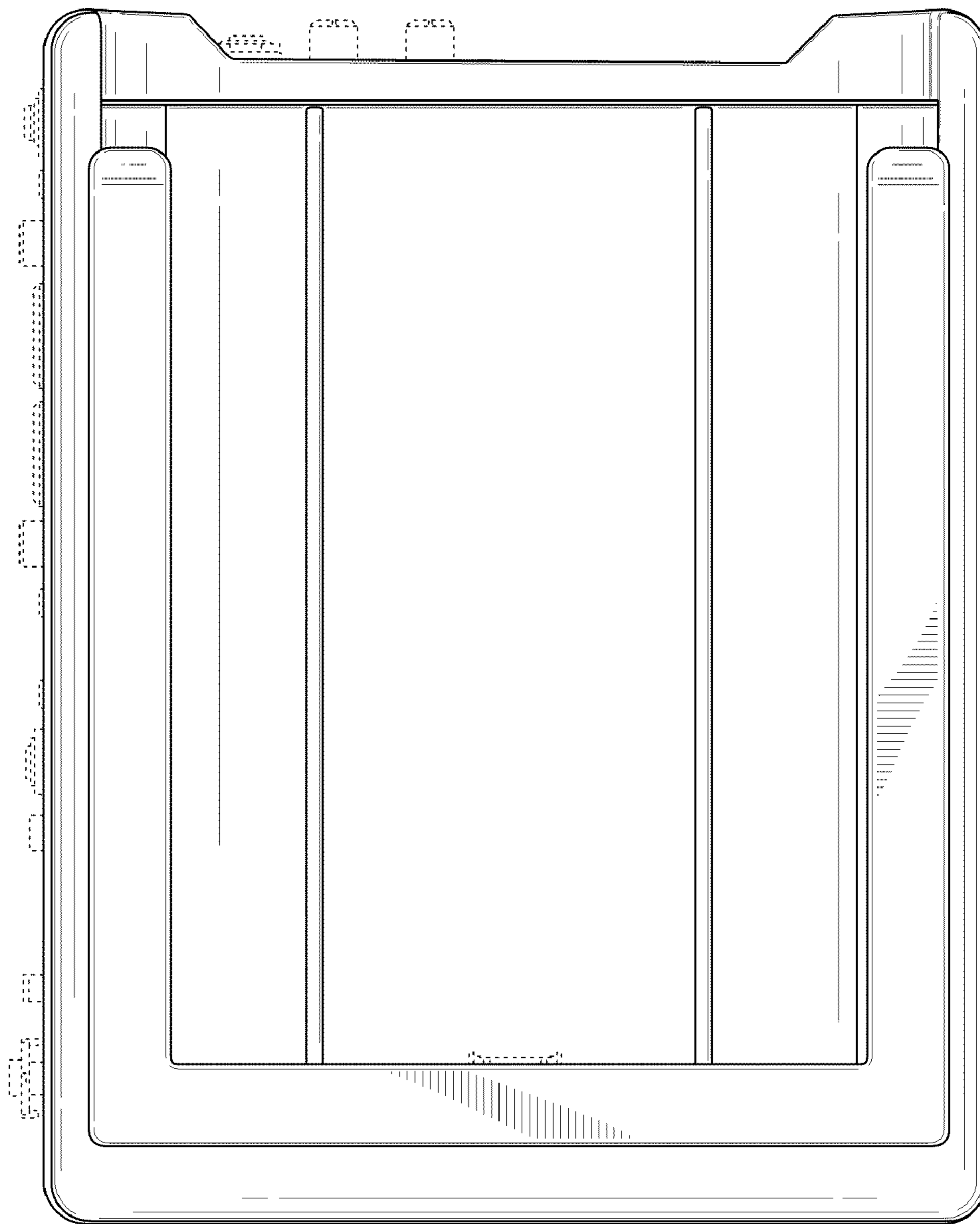


FIG. 1



**FIG. 2**

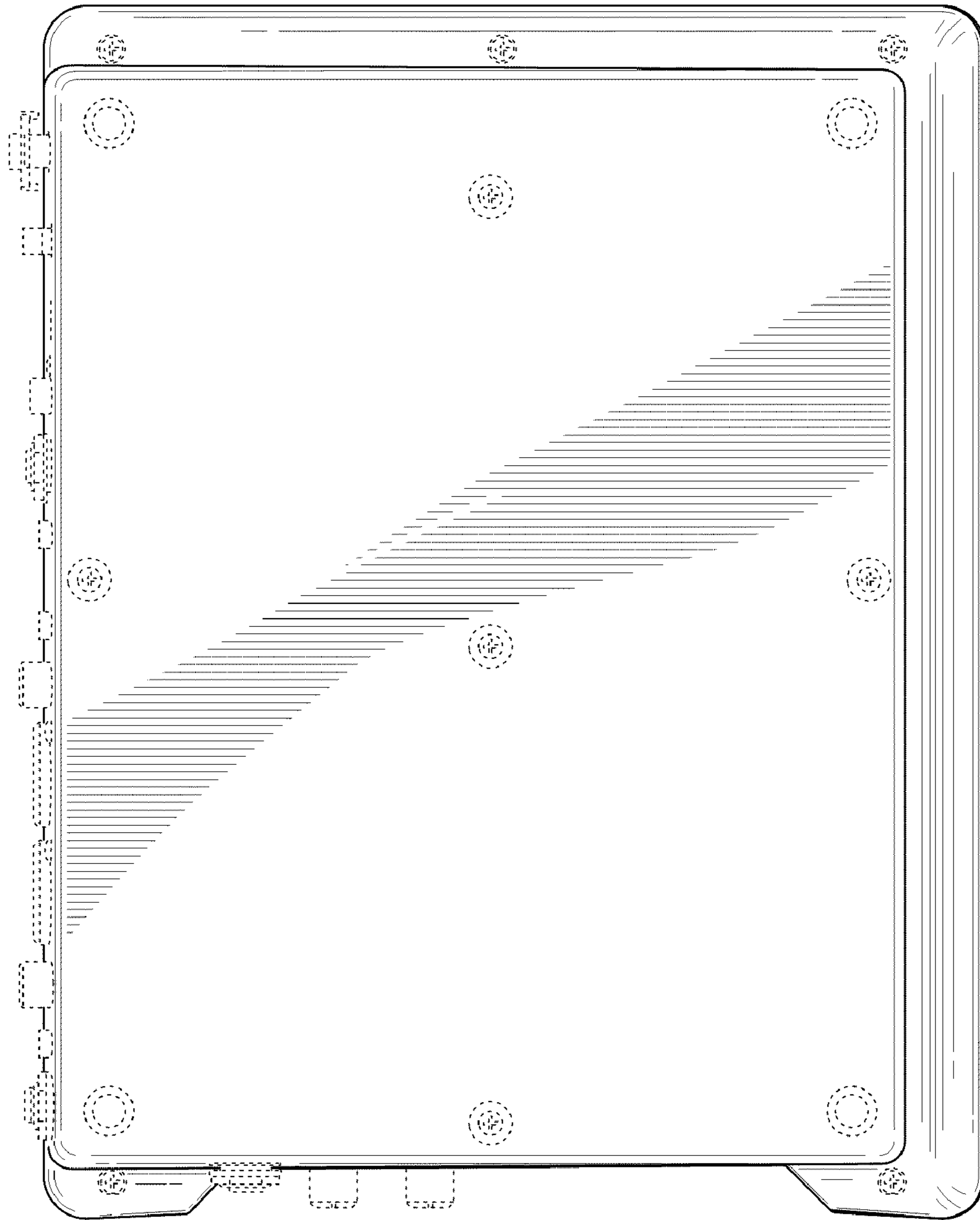


FIG. 3

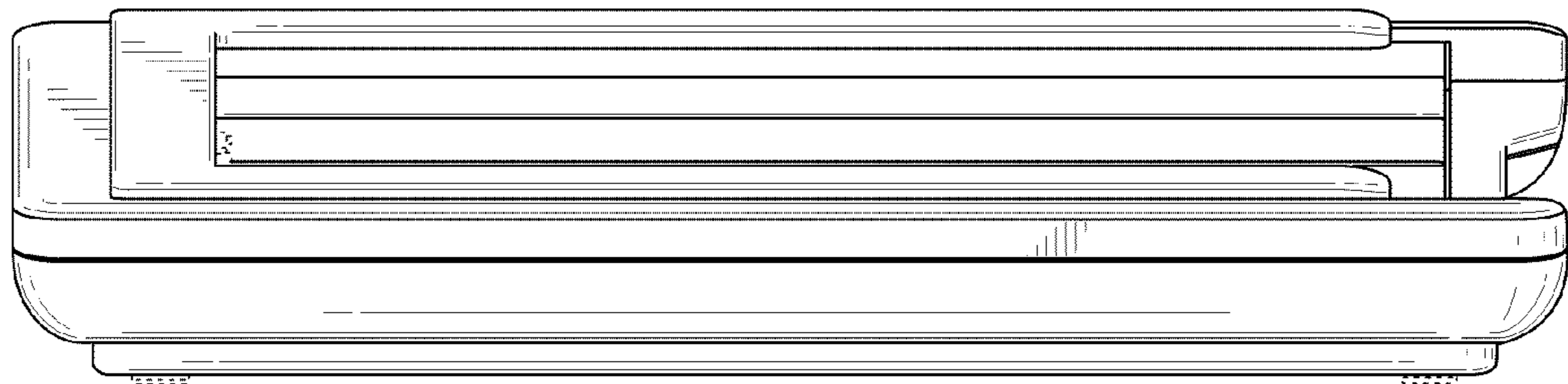


FIG. 4

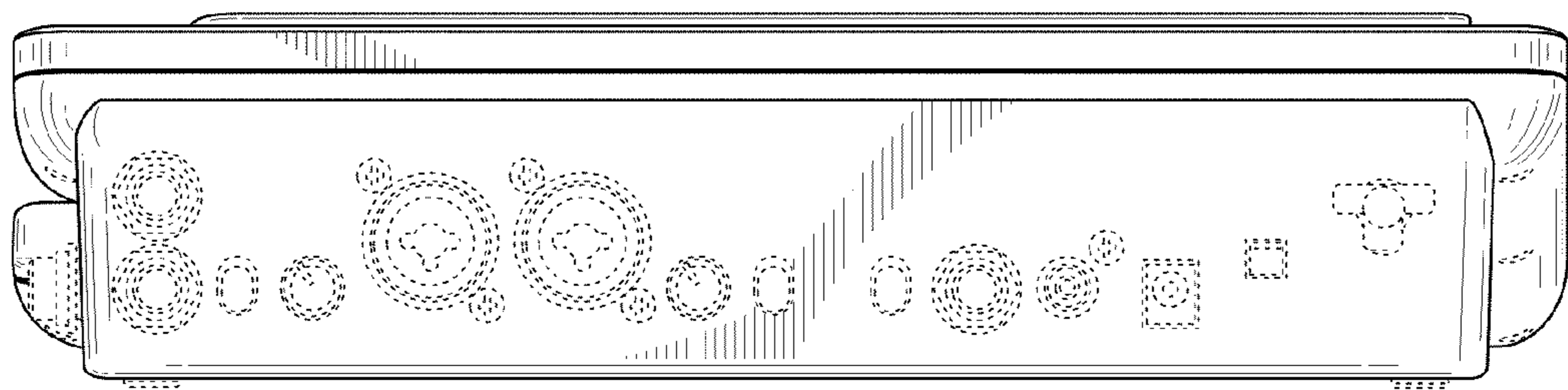
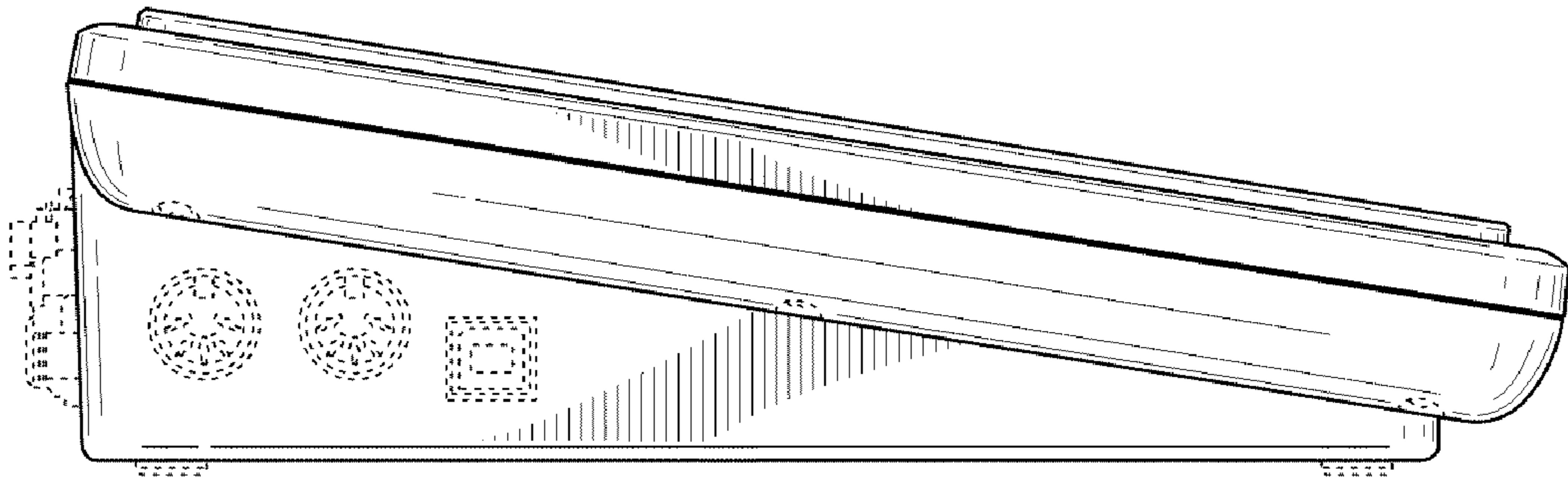
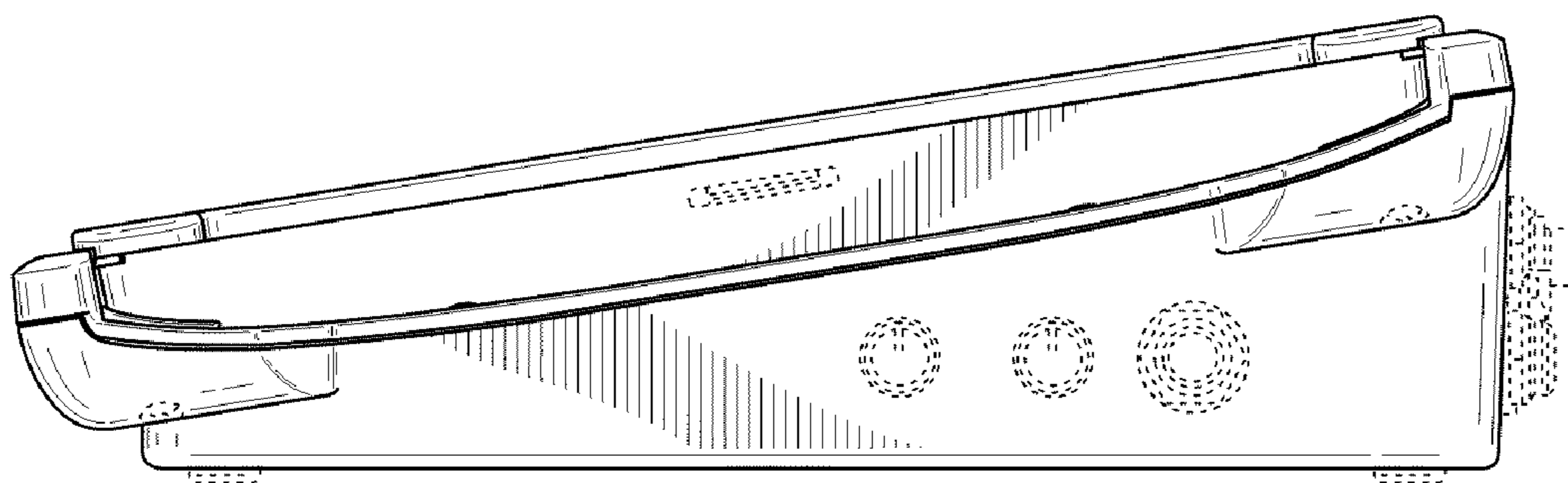


FIG. 5





**FIG. 6**



**FIG. 7**

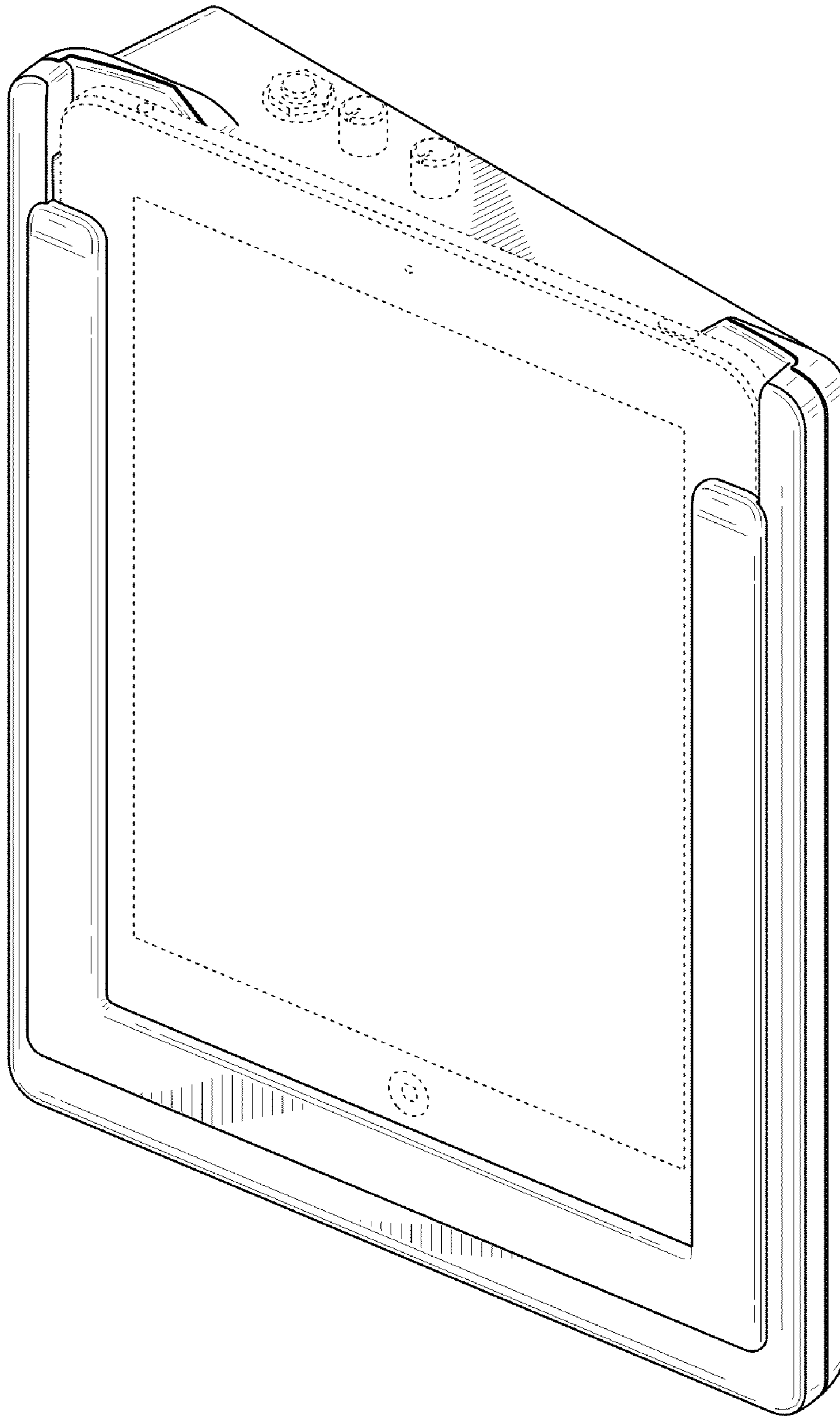


FIG. 8