



US00D654074S

(12) **United States Design Patent**
Wood et al.

(10) **Patent No.:** **US D654,074 S**
(45) **Date of Patent:** **** Feb. 14, 2012**

(54) **PORTABLE ELECTRONIC DEVICE**

(75) Inventors: **Todd Andrew Wood**, Guelph (CA);
Dustin Jonathan Smith, Waterloo (CA);
Brian Dennis Paschke, Toronto (CA);
Anders Fahrenedorff, Ottawa (CA)

(73) Assignee: **Research In Motion Limited**, Waterloo (CA)

(**) Term: **14 Years**

(21) Appl. No.: **29/386,662**

(22) Filed: **Mar. 3, 2011**

Related U.S. Application Data

(63) Continuation of application No. 29/367,673, filed on Aug. 11, 2010, now Pat. No. Des. 636,769.

(51) **LOC (9) Cl.** **14-02**

(52) **U.S. Cl.** **D14/341**

(58) **Field of Classification Search** D14/341-347, D14/137, 138, 138.1, 138 AA, 138 R, 138 AB, D14/138 AC, 138 AD, 138 C, 138 G, 496, D14/203.1, 203.3, 203.4, 203.5, 203.6, 203.7, D14/426, 427, 428, 432, 429, 129, 130, 420, D14/439-441, 448, 125, 147, 156, 218, 247-248, D14/250, 389, 336; D10/65, 104; D18/6-7; D21/29, 686, 33, 324, 329, 330; D19/60; 345/169, 901, 905; 348/169; 361/814; 341/122; 346/173; 379/433.04, 433.07, 433.11, 433.12, 379/433.13, 910, 916, 433.01, 433.06
See application file for complete search history.

(56) **References Cited**

U.S. PATENT DOCUMENTS

D333,574 S * 3/1993 Ackeret D6/300
D337,569 S * 7/1993 Kando D14/341
D444,632 S * 7/2001 Hoodenpyl et al. D6/300
D504,889 S * 5/2005 Andre et al. D14/341
D515,082 S * 2/2006 Moskaluk et al. D14/341
D532,791 S * 11/2006 Kim D14/203.7
D558,460 S * 1/2008 Yu et al. D6/308

D569,629 S * 5/2008 Yu et al. D6/308
D572,023 S * 7/2008 Park D6/300
D577,353 S * 9/2008 Kim et al. D14/138 AD
D577,703 S * 9/2008 Lee et al. D14/138 G
D579,930 S * 11/2008 Maskatia D14/341
D580,431 S * 11/2008 Morita D14/341
D583,342 S * 12/2008 Kim et al. D14/138 G
D584,738 S * 1/2009 Kim et al. D14/496
D585,399 S * 1/2009 Hwang D14/130
D593,059 S * 5/2009 Kim et al. D14/138 G
D595,712 S * 7/2009 Guery et al. D14/341
D600,690 S * 9/2009 Miyaji D14/341
D601,353 S * 10/2009 Sadler et al. D6/308
D602,487 S * 10/2009 Maskatia D14/341
D613,951 S * 4/2010 Tang et al. D6/308
D617,793 S * 6/2010 Chiang et al. D14/341
D622,240 S * 8/2010 Liu et al. D14/126
D622,514 S * 8/2010 Park et al. D6/308
D627,777 S * 11/2010 Akana et al. D14/341
D629,216 S * 12/2010 Stoddard D6/308
D634,318 S * 3/2011 Buckle et al. D14/341

(Continued)

Primary Examiner — Barbara Fox

(74) *Attorney, Agent, or Firm* — Oblon, Spivak, McClelland, Maier & Neustadt, L.L.P.

(57) **CLAIM**

We claim the ornamental design for a portable electronic device, as shown and described.

DESCRIPTION

FIG. 1 is a front perspective view of a portable electronic device;

FIG. 2 is a back perspective view of the portable electronic device;

FIG. 3 is a front elevational view thereof;

FIG. 4 is a back elevational view thereof;

FIG. 5 is a left elevational view thereof;

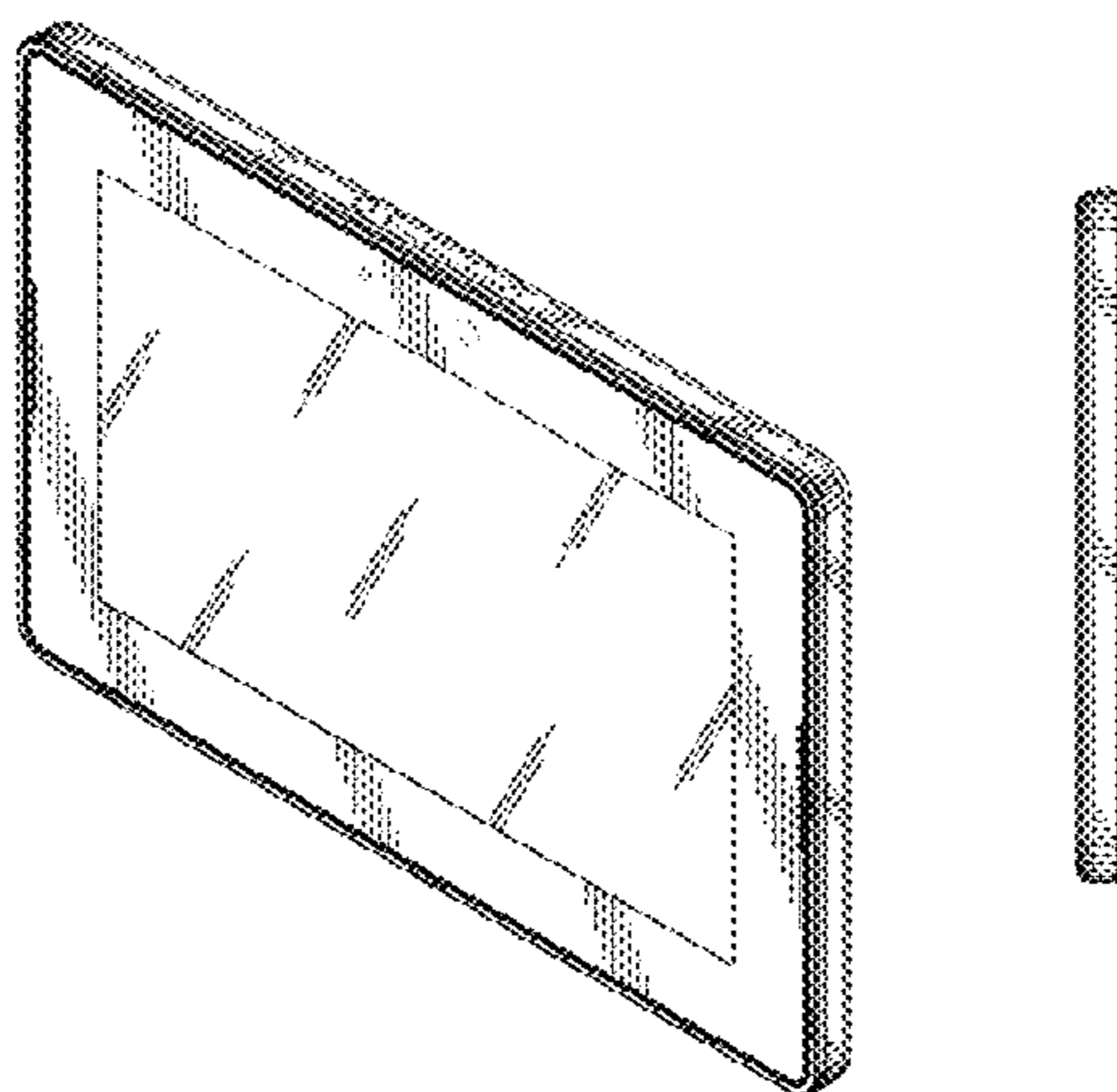
FIG. 6 is a right elevational view thereof;

FIG. 7 is a top plan view thereof; and,

FIG. 8 is a bottom plan view thereof.

The broken lines shown in the drawings of the portable electronic device are for the purpose of illustrating unclaimed portions of the article and form no part of the claimed design.

1 Claim, 6 Drawing Sheets



US D654,074 S

Page 2

U.S. PATENT DOCUMENTS

D635,976 S *	4/2011	Lee et al.	D14/374	D641,018 S *	7/2011	Lee et al.	D14/341
D636,769 S *	4/2011	Wood et al.	D14/341	2005/0156902 A1 *	7/2005	McPherson et al.	345/173
D639,763 S *	6/2011	Kim et al.	D14/138 G	2010/0289760 A1 *	11/2010	Jonoshita et al.	345/173

* cited by examiner

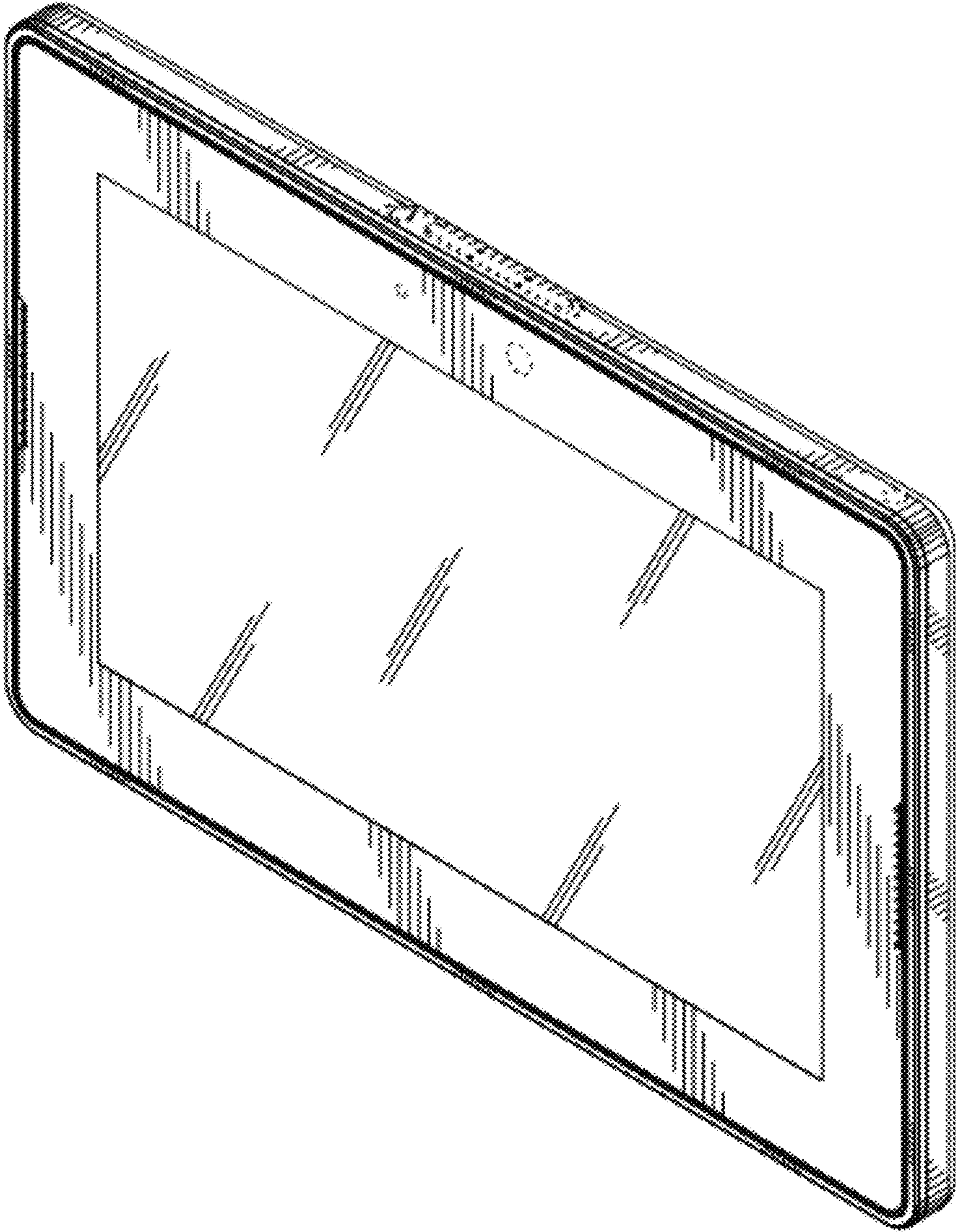


FIG. 1

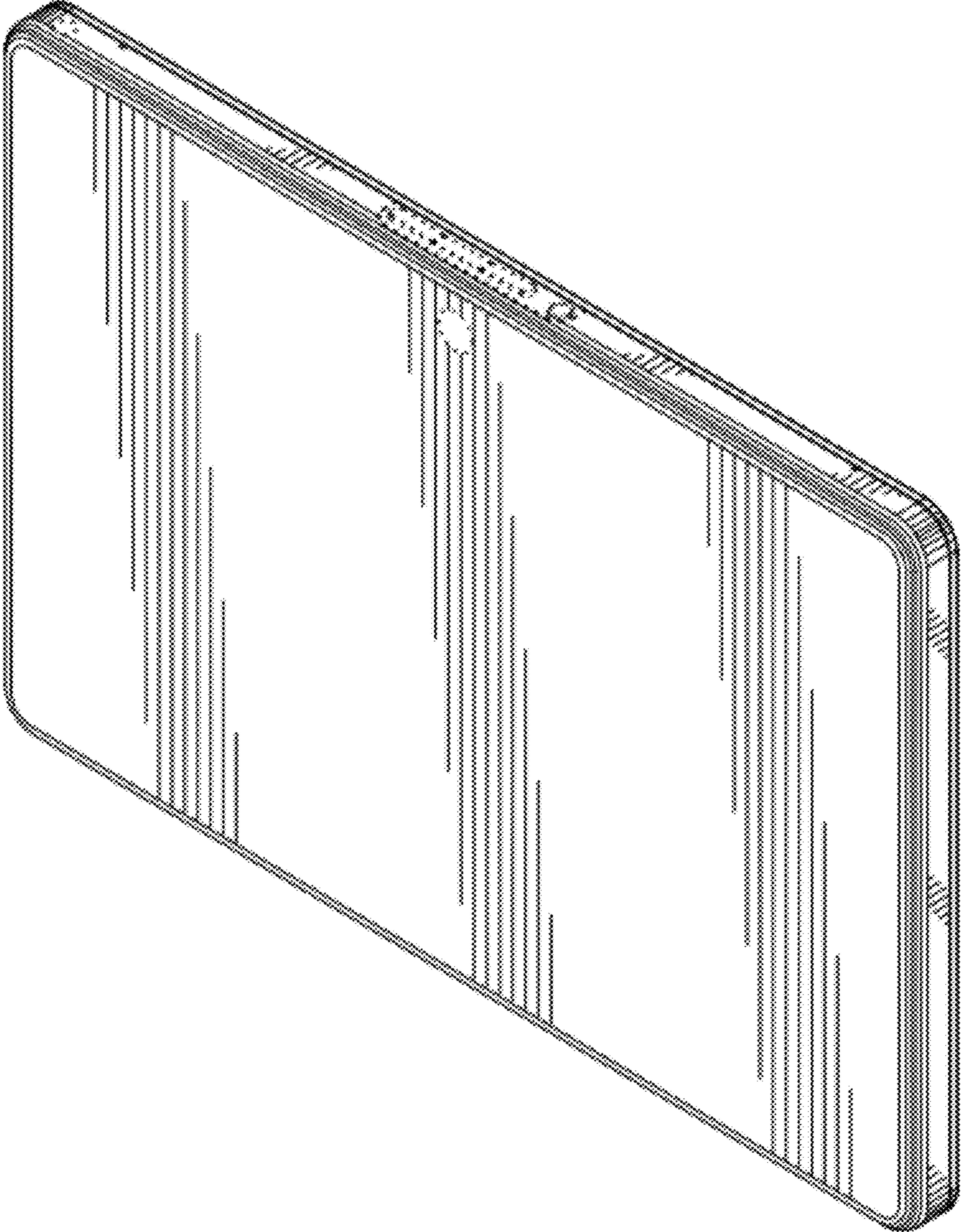


FIG.2

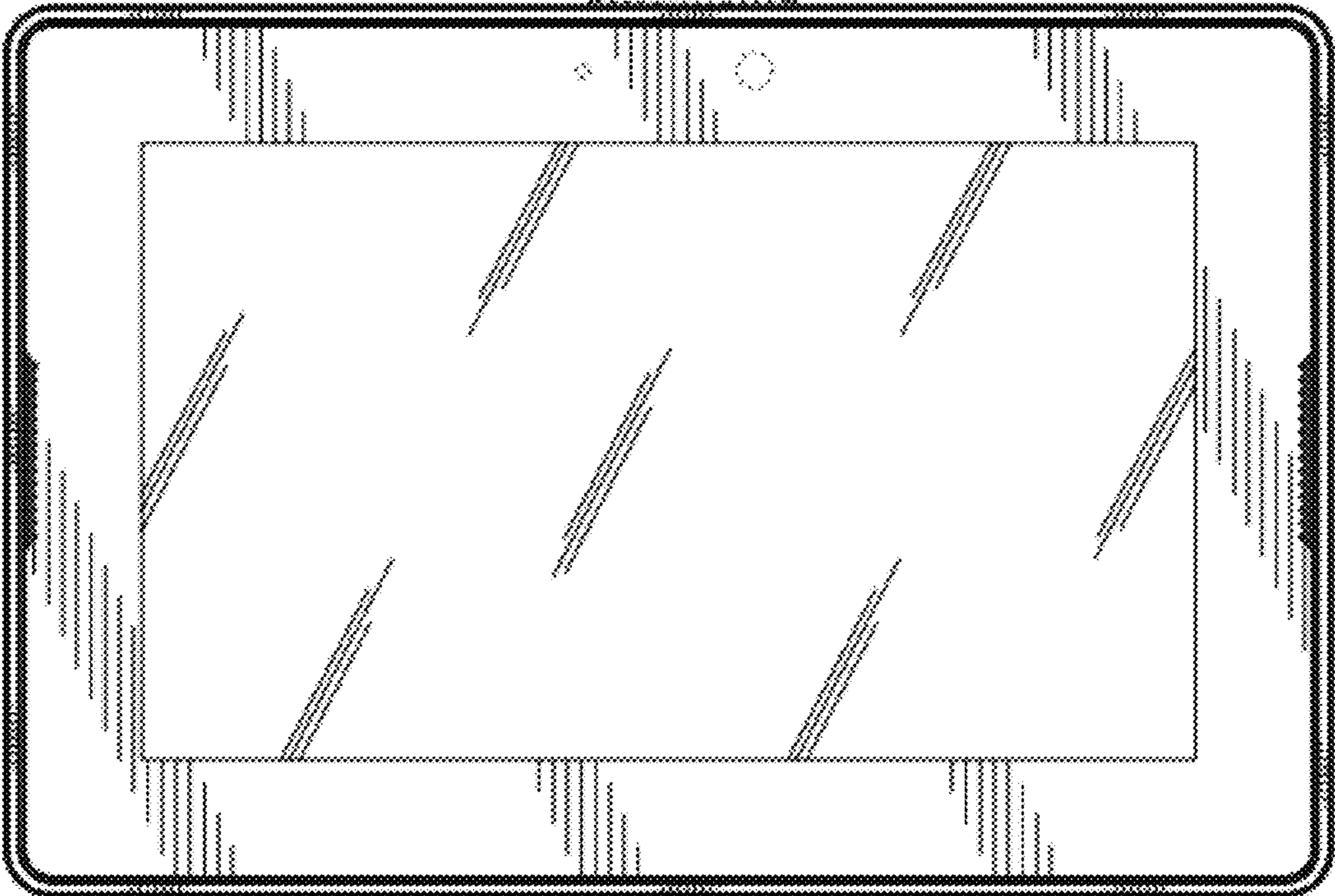


FIG.3

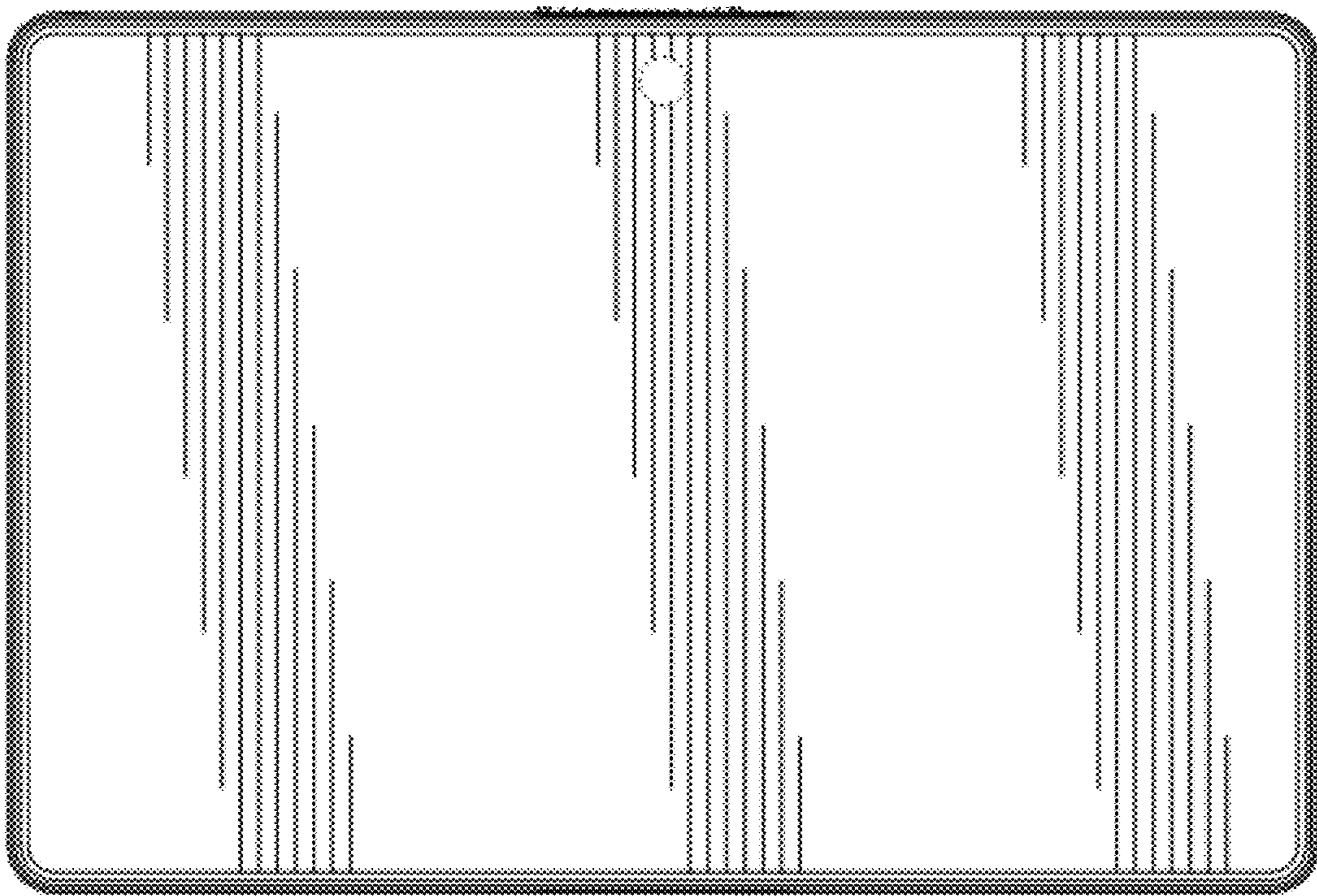


FIG. 4

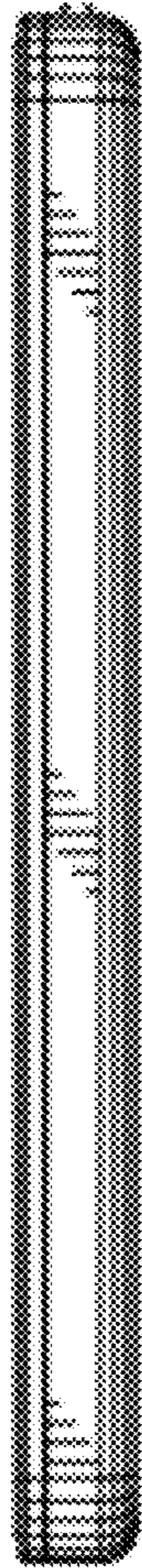


FIG. 5



FIG. 6



FIG. 7



FIG. 8