



US00D654072S

(12) **United States Design Patent**
Andre et al.

(10) **Patent No.:** **US D654,072 S**
(45) **Date of Patent:** **** Feb. 14, 2012**

(54) **ELECTRONIC DEVICE**

(75) Inventors: **Bartley K. Andre**, Menlo Park, CA (US); **Daniel J. Coster**, San Francisco, CA (US); **Daniele De Iullis**, San Francisco, CA (US); **Evans Hankey**, San Francisco, CA (US); **Richard P. Howarth**, San Francisco, CA (US); **Jonathan P. Ive**, San Francisco, CA (US); **Steve Jobs**, Palo Alto, CA (US); **Duncan Robert Kerr**, San Francisco, CA (US); **Shin Nishibori**, Portola Valley, CA (US); **Matthew Dean Rohrbach**, San Francisco, CA (US); **Peter Russell-Clarke**, San Francisco, CA (US); **Douglas B. Satzger**, Menlo Park, CA (US); **Christopher J. Stringer**, Woodside, CA (US); **Eugene Antony Whang**, San Francisco, CA (US); **Rico Zorkendorfer**, San Francisco, CA (US)

(73) Assignee: **Apple Inc.**, Cupertino, CA (US)

(**) Term: **14 Years**

(21) Appl. No.: **29/397,845**

(22) Filed: **Jul. 21, 2011**

Related U.S. Application Data

(60) Continuation of application No. 29/387,659, filed on Mar. 16, 2011, which is a continuation of application No. 29/375,023, filed on Sep. 16, 2010, now Pat. No. Des. 635,566, which is a continuation of application No. 29/345,429, filed on Oct. 15, 2009, now Pat. No. Des. 625,717, which is a division of application No. 29/294,500, filed on Jan. 14, 2008, now Pat. No. Des. 604,294.

(51) **LOC (9) Cl.** **14-02**

(52) **U.S. Cl.** **D14/318**

(58) **Field of Classification Search** D14/315-328;
D18/1, 2, 7, 11; 235/145 A, 145 R; 341/22,
341/23; 345/168, 169, 173, 87, 901-905;
361/679.09, 679.27; 174/50; 248/176.3,
248/188

See application file for complete search history.

(56) **References Cited**

U.S. PATENT DOCUMENTS

D289,415 S 4/1987 Kikuchi et al.

(Continued)

Primary Examiner — Freda S Nunn

(74) *Attorney, Agent, or Firm* — SAIDMAN DesignLaw Group

(57) **CLAIM**

The ornamental design for an electronic device, as shown and described.

DESCRIPTION

This application also incorporates by reference prior application Ser. No. 29/294,335, filed Jan. 4, 2008, now U.S. Pat. No. D600,688, and prior application Ser. No. 29/294,486, filed Jan. 11, 2008, now U.S. Pat. No. D604,289, both of which are incorporated by reference in Ser. No. 29/294,500.

FIG. 1 is a front, top perspective view of a first embodiment of an electronic device showing our new design;

FIG. 2 is a rear, bottom perspective view thereof;

FIG. 3 is a front view thereof;

FIG. 4 is a rear view thereof;

FIG. 5 is a left side view thereof;

FIG. 6 is a right side view thereof;

FIG. 7 is a top view thereof;

FIG. 8 is a bottom view thereof;

FIG. 9 is a front, top perspective view of a second embodiment thereof;

FIG. 10 is a rear, bottom perspective view thereof;

FIG. 11 is a front view thereof;

FIG. 12 is a rear view thereof;

FIG. 13 is a left side view thereof;

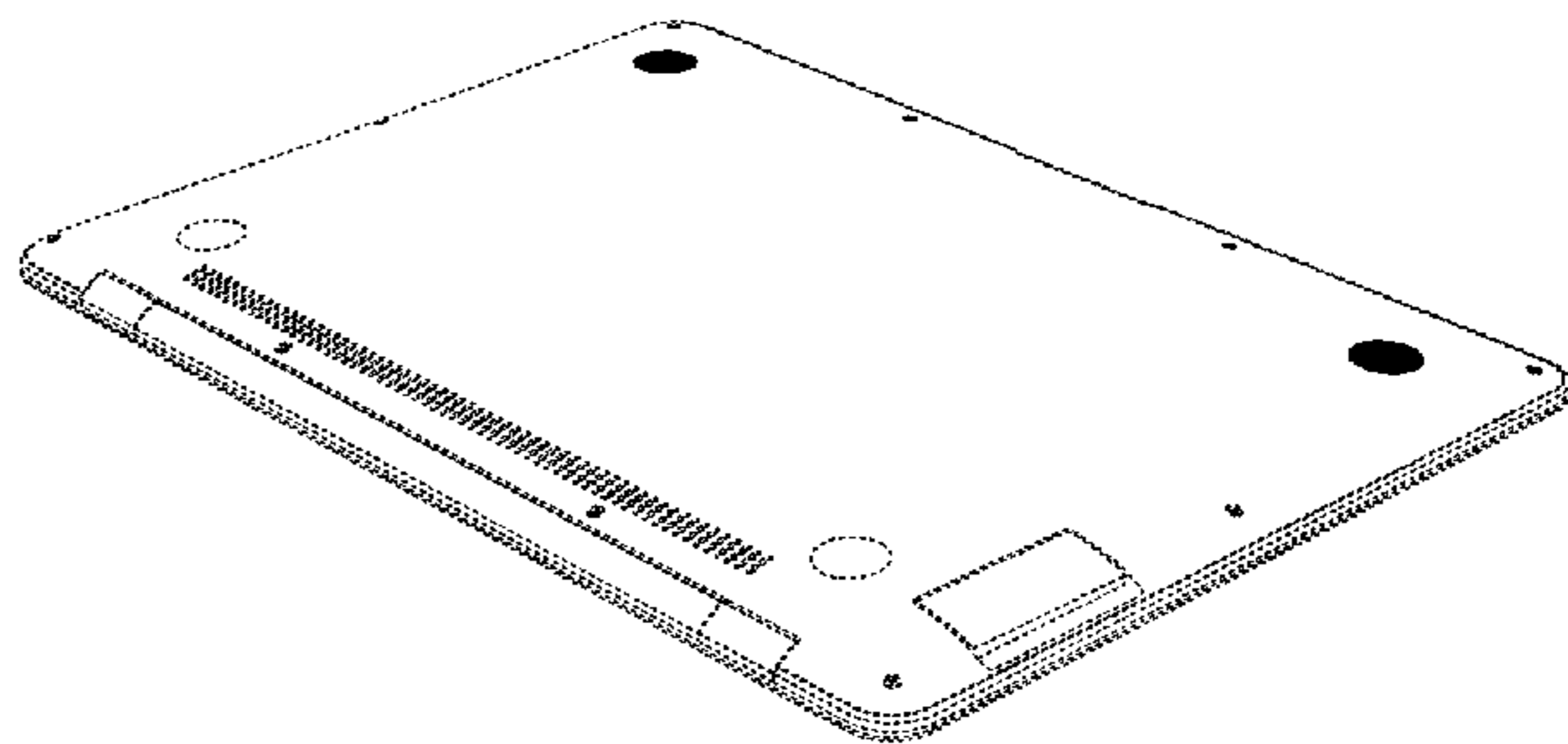
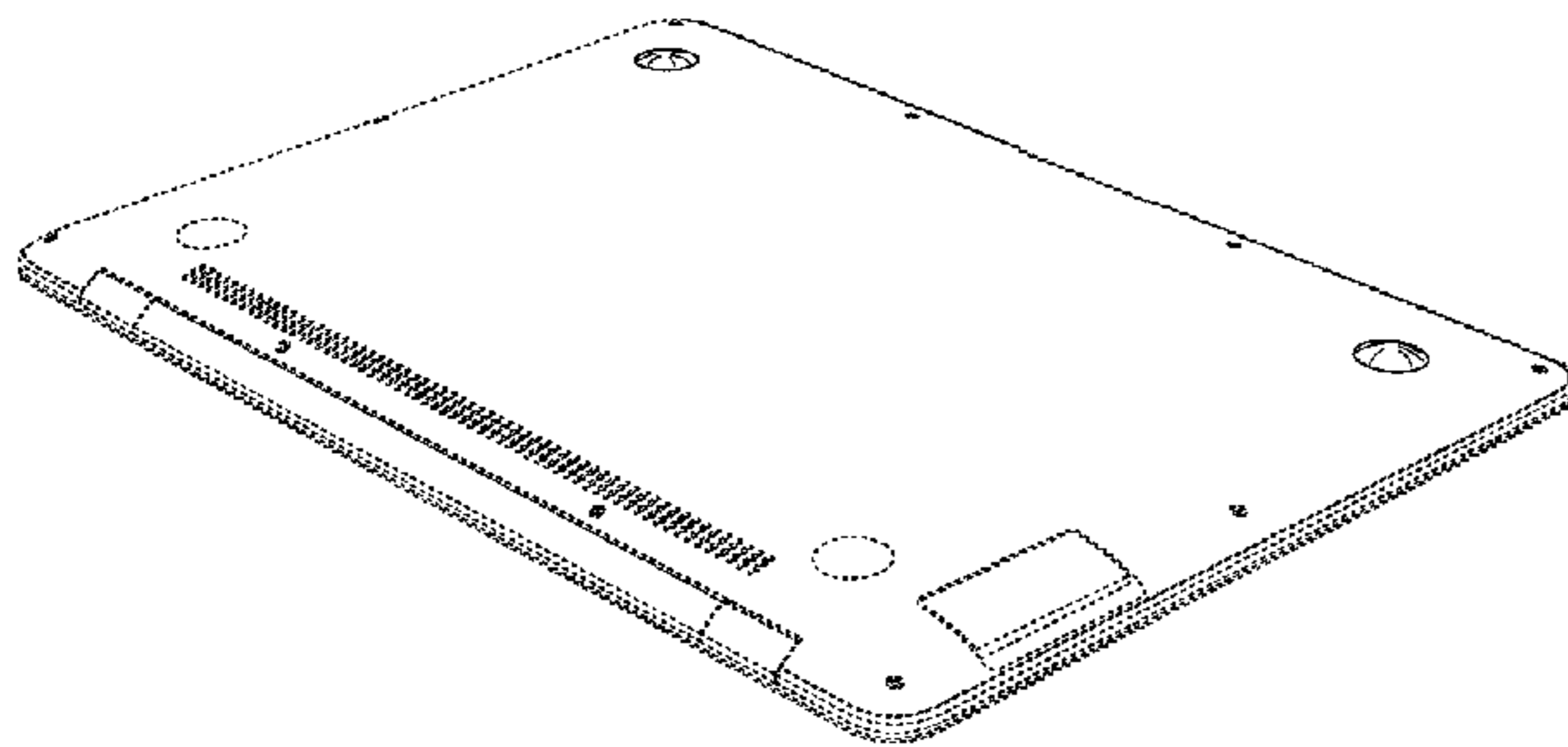
FIG. 14 is a right side view thereof;

FIG. 15 is a top view thereof; and,

FIG. 16 is a bottom view thereof.

The broken lines illustrate portions of the electronic device and form no part of the claimed design. The solid black portions indicate the color black.

1 Claim, 12 Drawing Sheets



US D654,072 S

Page 2

U.S. PATENT DOCUMENTS

D295,176 S	4/1988	Nishimoto et al.	D390,205 S	2/1998	Levy	
D308,535 S	6/1990	Kasprzycki	6,979,778 B2 *	12/2005	Xiong et al.	174/50
D309,895 S	8/1990	Lampe	D519,501 S	4/2006	Yamashiro	
D320,194 S	9/1991	Sakai	7,095,610 B1 *	8/2006	Banko	361/679.55
D335,123 S	4/1993	Smiley	7,245,484 B2 *	7/2007	Langerhans et al.	361/679.27
D370,666 S	6/1996	Bovio et al.	7,293,749 B2 *	11/2007	Banko	248/188
D385,856 S	11/1997	Kawa	7,950,611 B2 *	5/2011	Tracy et al.	248/176.3

* cited by examiner

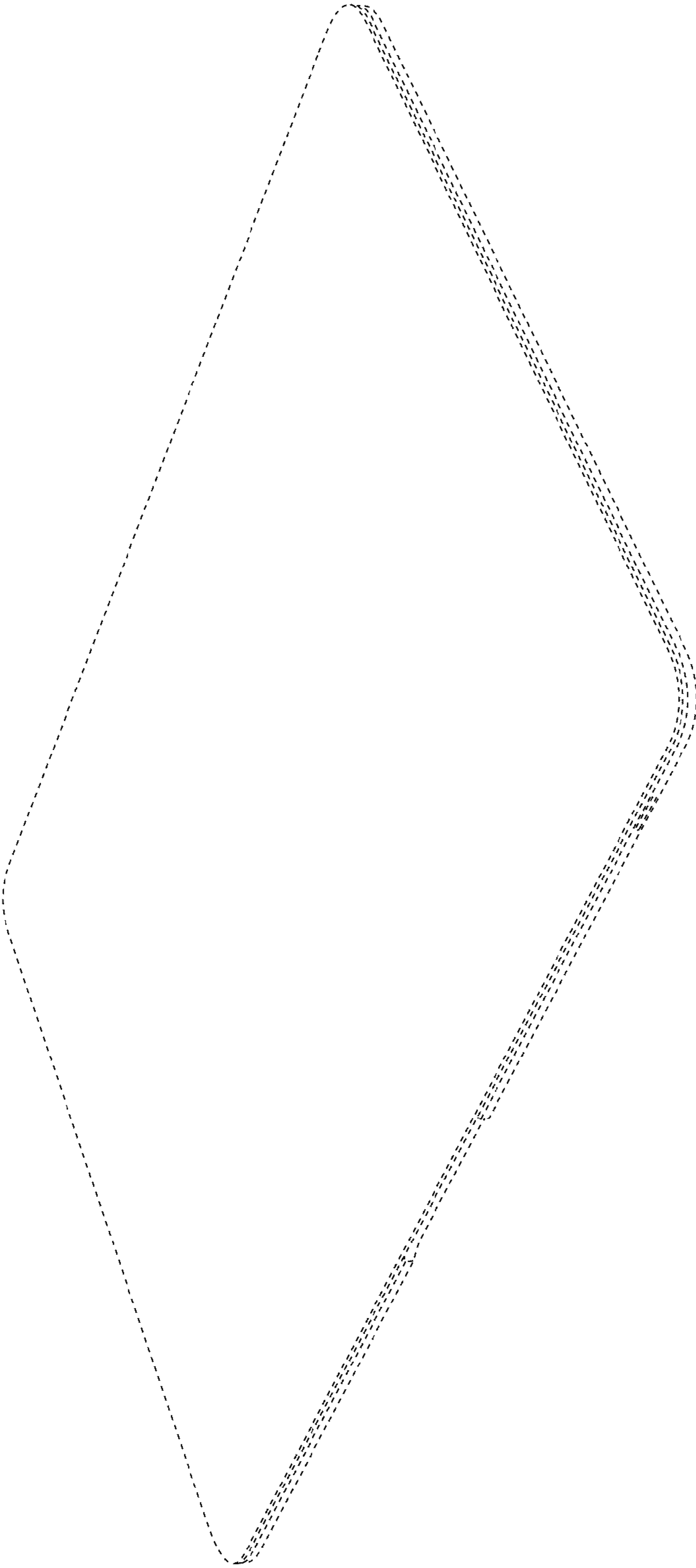


Fig. 1

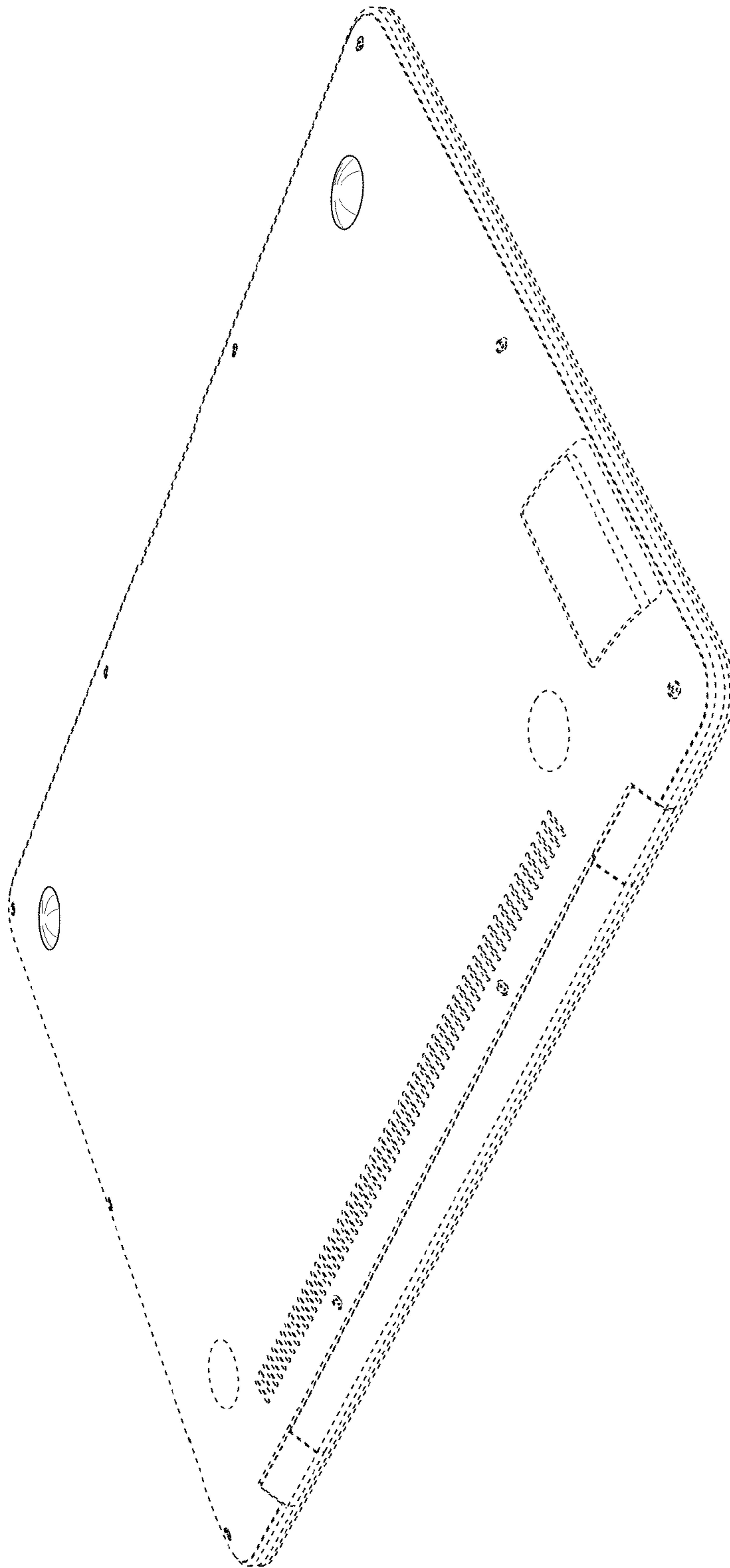


Fig. 2

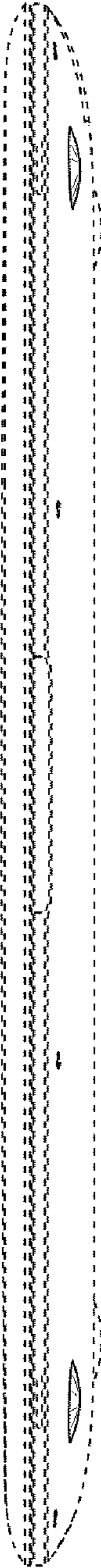


Fig. 3

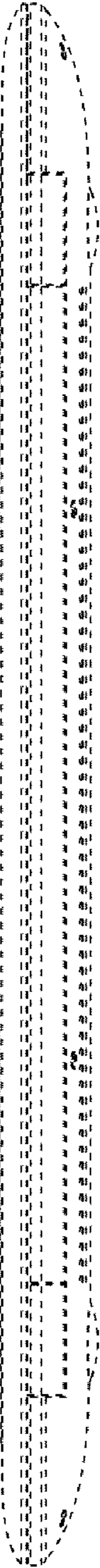


Fig. 4

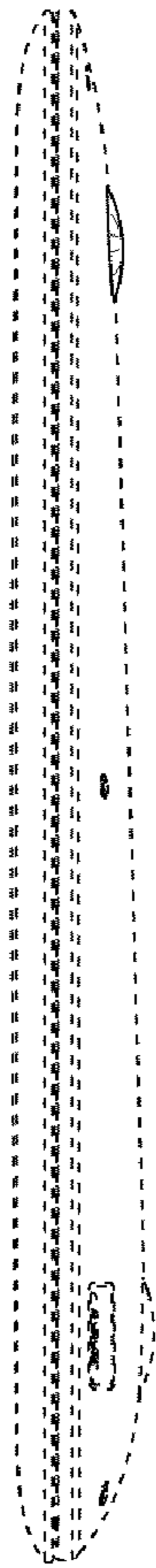


Fig. 5

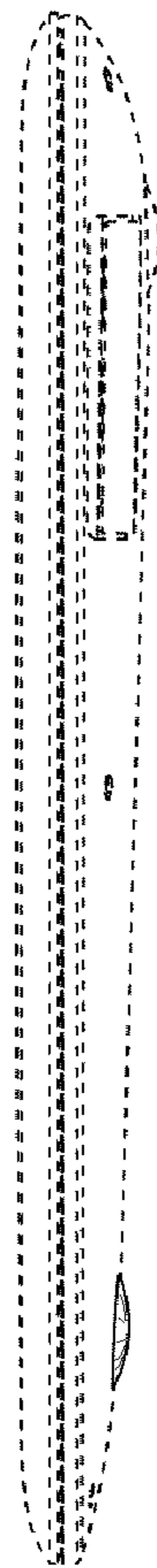


Fig. 6



Fig. 7

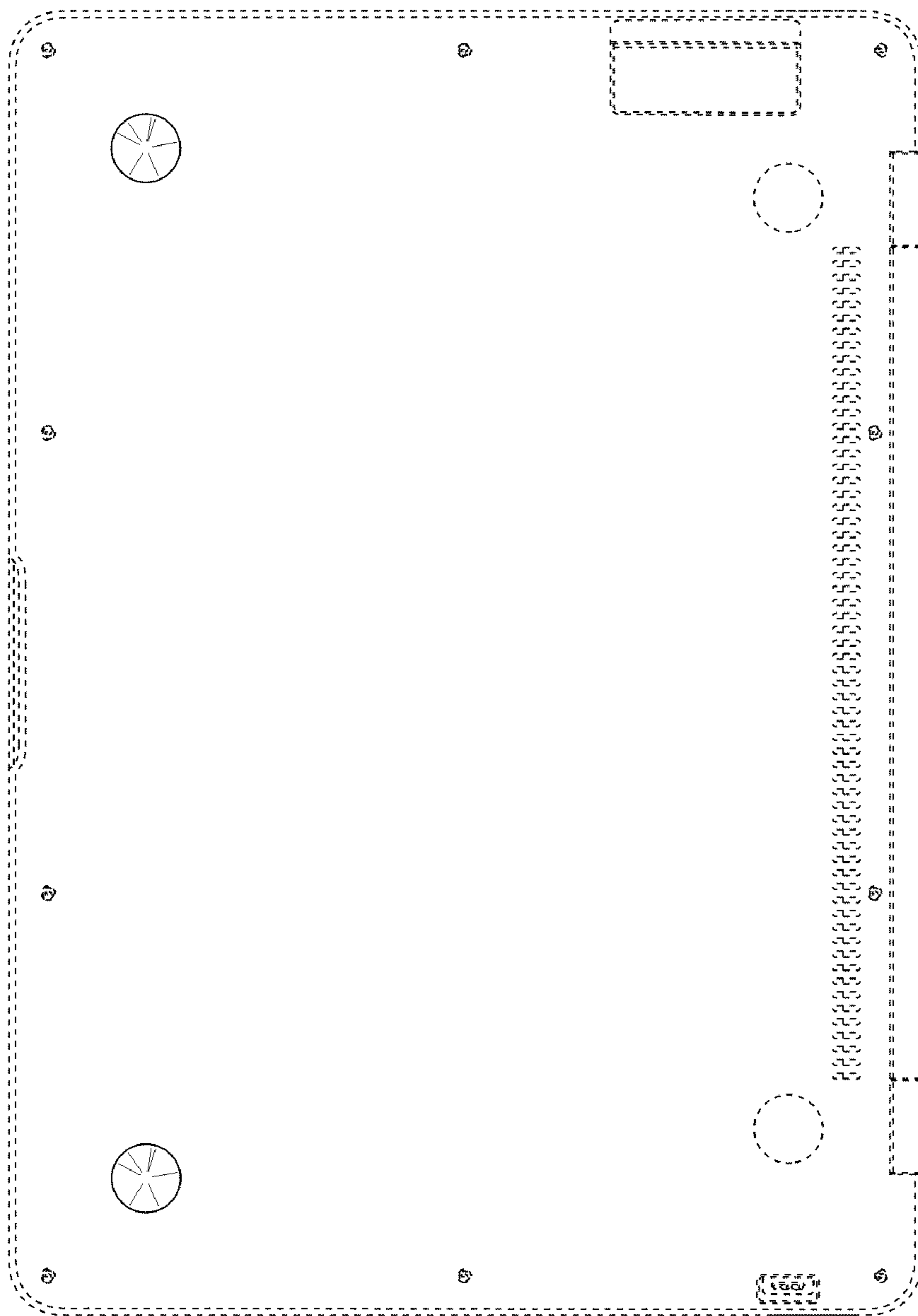


Fig. 8

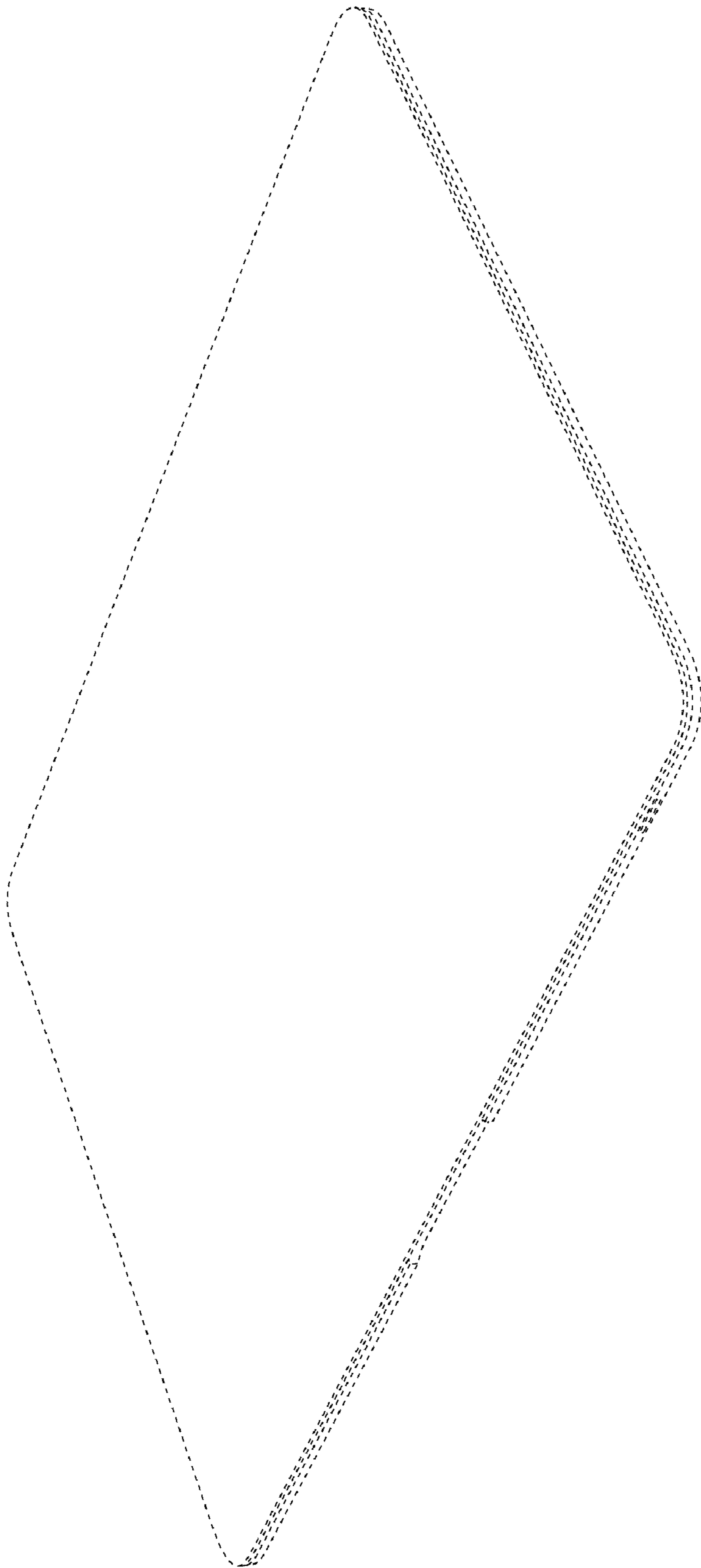


Fig. 9

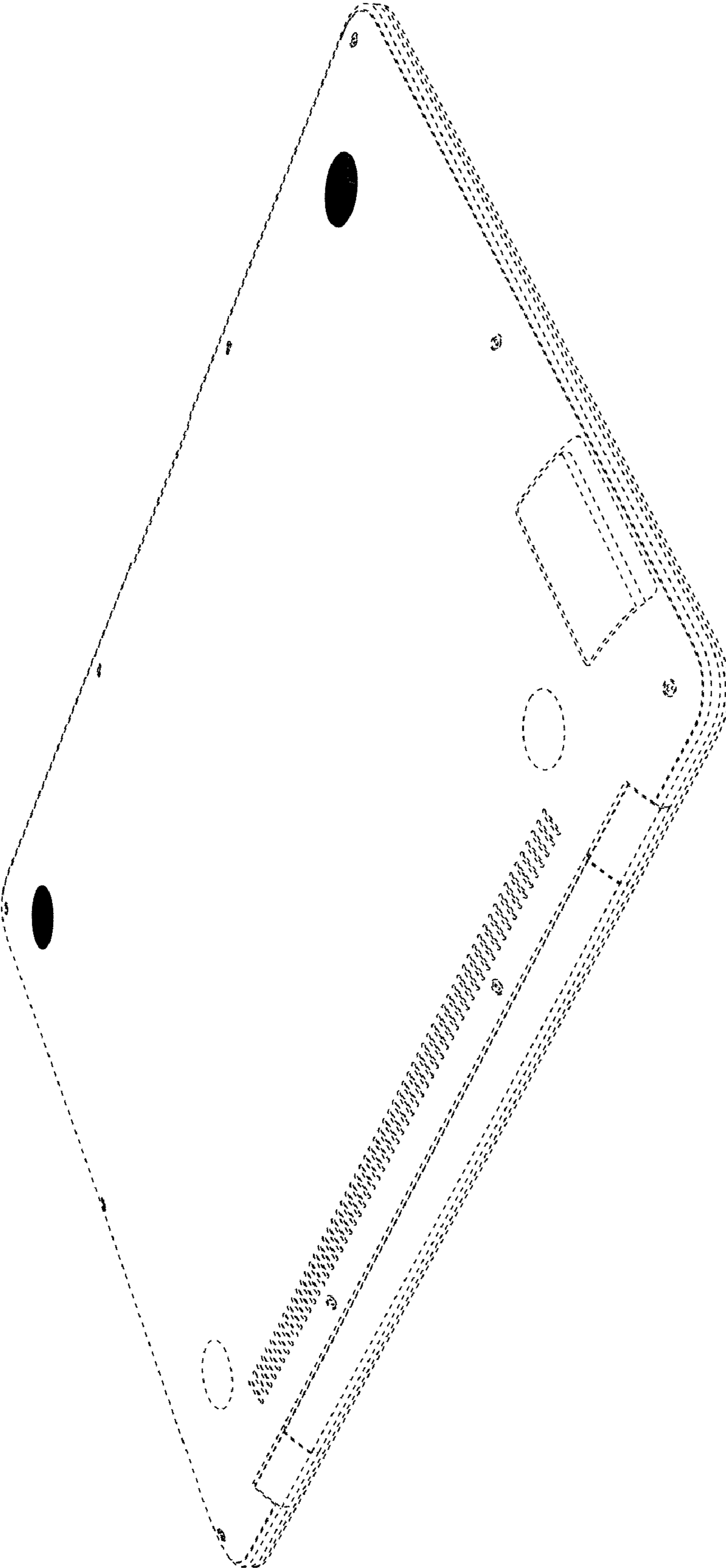


Fig. 10

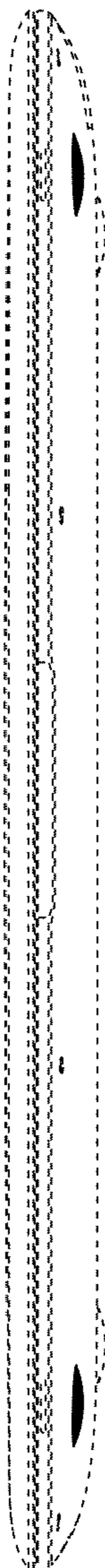


Fig. 11

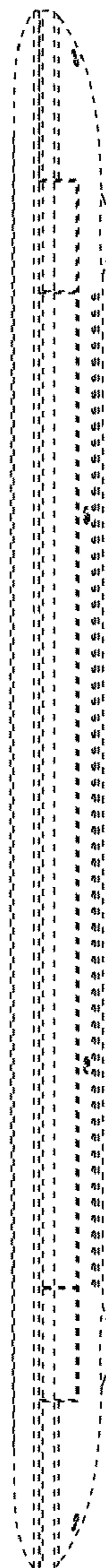


Fig. 12

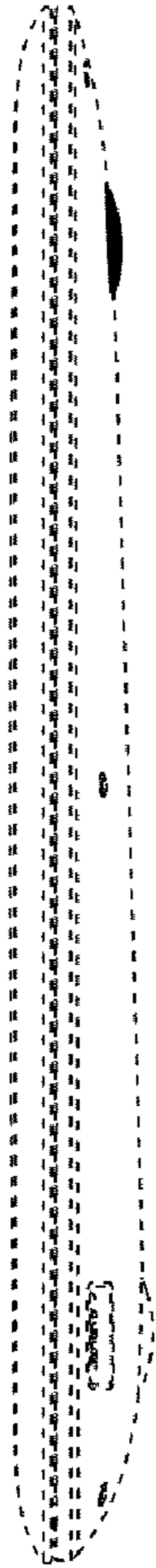


Fig. 13

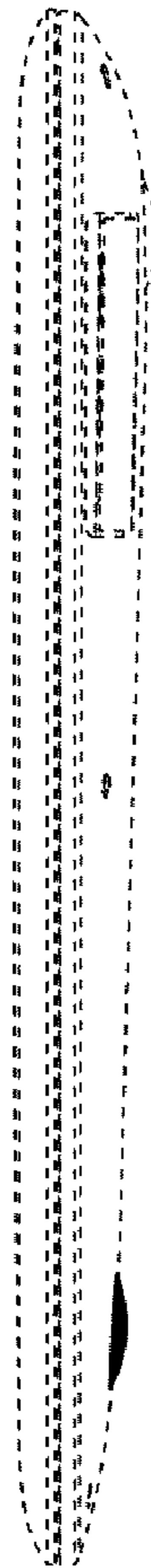


Fig. 14



Fig. 15

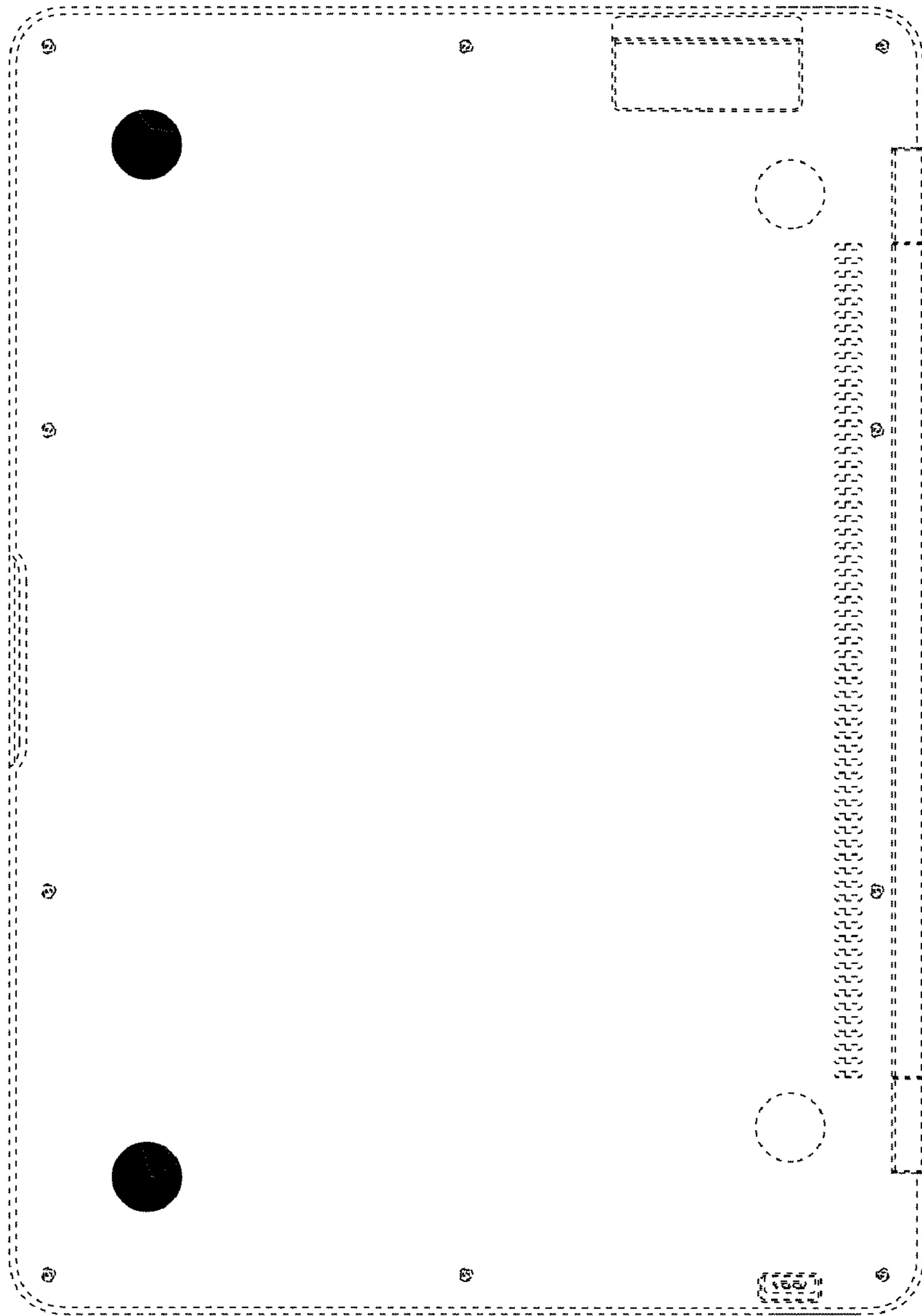


Fig. 16