



US00D654071S

(12) **United States Design Patent**
Cheng

(10) **Patent No.:** **US D654,071 S**

(45) **Date of Patent:** **** Feb. 14, 2012**

(54) **ELECTRONIC DEVICE**

(76) Inventor: **Jeff Cheng**, Chicago, IL (US)

(**) Term: **14 Years**

(21) Appl. No.: **29/377,052**

(22) Filed: **Oct. 15, 2010**

(51) **LOC (9) Cl.** **14-02**

(52) **U.S. Cl.** **D14/318**

(58) **Field of Classification Search** D14/315–328;
D18/1, 2, 7, 11; 235/145 A, 145 R; 341/22,
341/23; 345/104, 156, 168, 169, 173, 174,
345/87, 901–905; 361/679.08–679.18, 679.27;
400/486, 489; 178/18.05

See application file for complete search history.

(56) **References Cited**

U.S. PATENT DOCUMENTS

4,990,900	A *	2/1991	Kikuchi	345/174
5,008,497	A *	4/1991	Asher	178/18.05
6,067,224	A *	5/2000	Nobuchi	361/679.27
D434,031	S *	11/2000	Koike et al.	D14/318
D479,840	S *	9/2003	Lu	D14/318
D480,079	S *	9/2003	Miao et al.	D14/315
D494,161	S *	8/2004	Sawauchi	D14/318
D495,326	S *	8/2004	Horiki	D14/318
D517,063	S *	3/2006	Nakajima et al.	D14/318
2005/0041378	A1 *	2/2005	Hamada et al.	361/680
2008/0198542	A1 *	8/2008	Kim	361/683

OTHER PUBLICATIONS

Koninklijke Philips Electronics N.V., Enjoy your videos from iPod, DVD and SD card; DCP850, DCP850/37, Issue Date Nov. 22, 2010, 3 pages.

<http://liliputing.com/2010/04/elonex-idock-xl-doesnt-quite-turn-your-iphone-into-an-ipad.html>, 8 pages, date unknown.
<http://www.last100.com/2010/04/16/the-gadget-show-live-forget-ipad-supersize-your-iphone-says-elonex>, 4 pages, date unknown.

* cited by examiner

Primary Examiner — Freda S Nunn

(74) *Attorney, Agent, or Firm* — McAndrews, Held & Malloy, Ltd.

(57) **CLAIM**

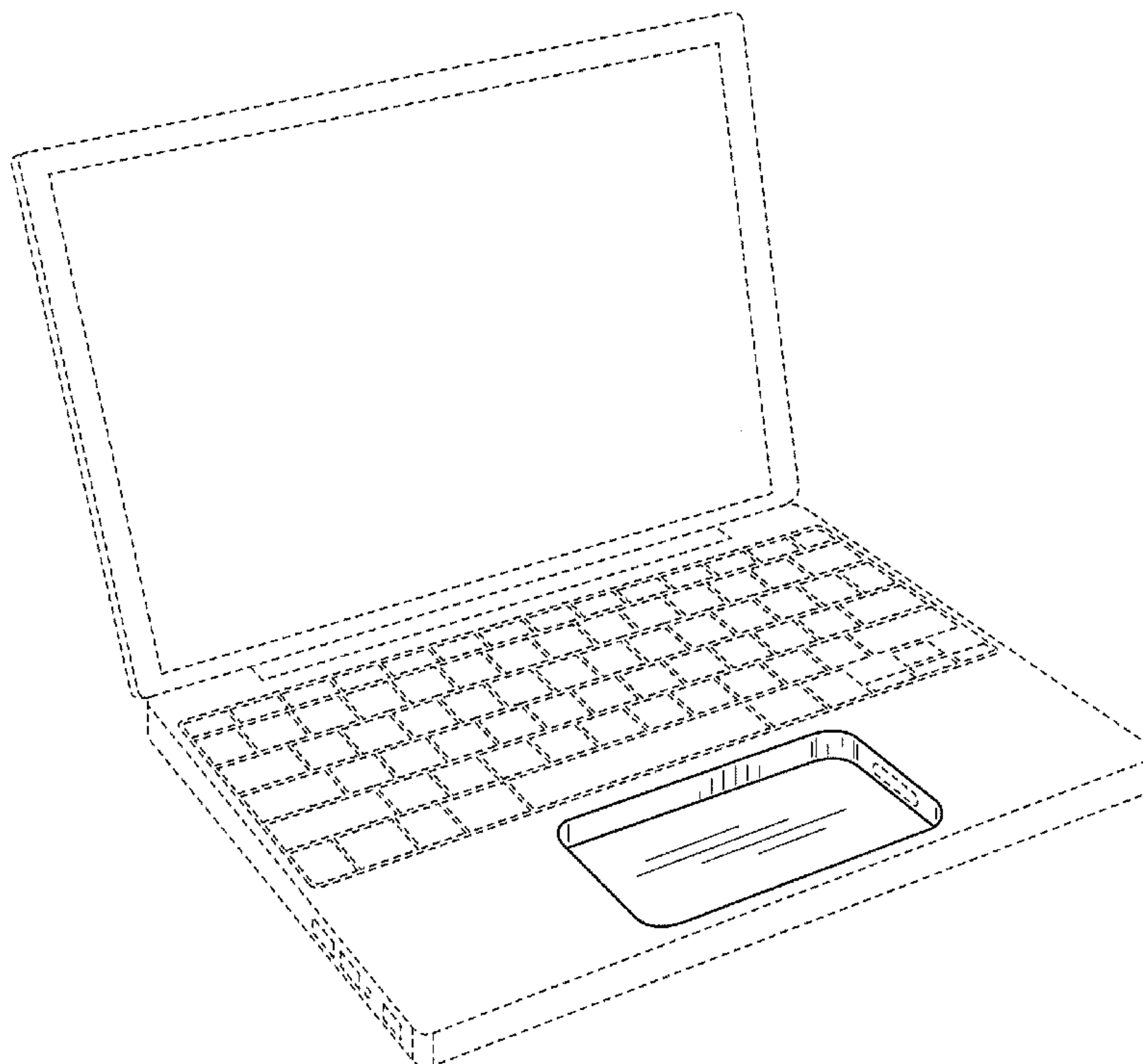
The ornamental design for an electronic device, as shown and described.

DESCRIPTION

FIG. 1 is a front, left, top perspective view of an electronic device showing my new design;
FIG. 2 is a front, left, top perspective view thereof;
FIG. 3 is a front, right, top perspective view thereof;
FIG. 4 is a rear, left, top perspective view thereof;
FIG. 5 is a rear, right, top perspective view thereof;
FIG. 6 is a top plan view thereof;
FIG. 7 is a front, left, top perspective view of a second embodiment thereof;
FIG. 8 is a front, right, top perspective view thereof;
FIG. 9 is a rear, left, top perspective view thereof;
FIG. 10 is a rear, right, top perspective view thereof; and,
FIG. 11 is a top plan view thereof.

The broken lines in the drawings represent environmental subject matter and form no part of the claimed design.

1 Claim, 11 Drawing Sheets



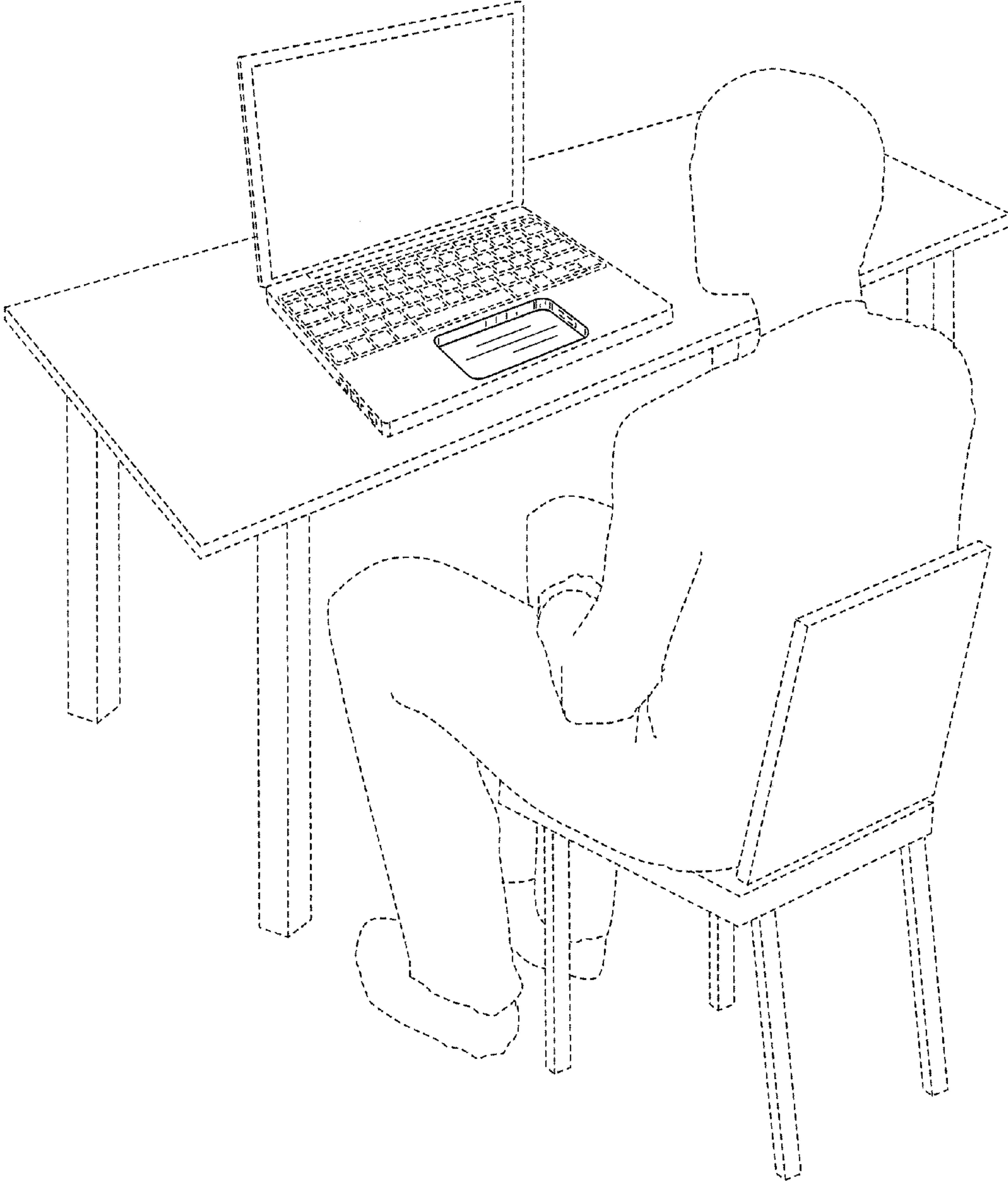


FIG. 1

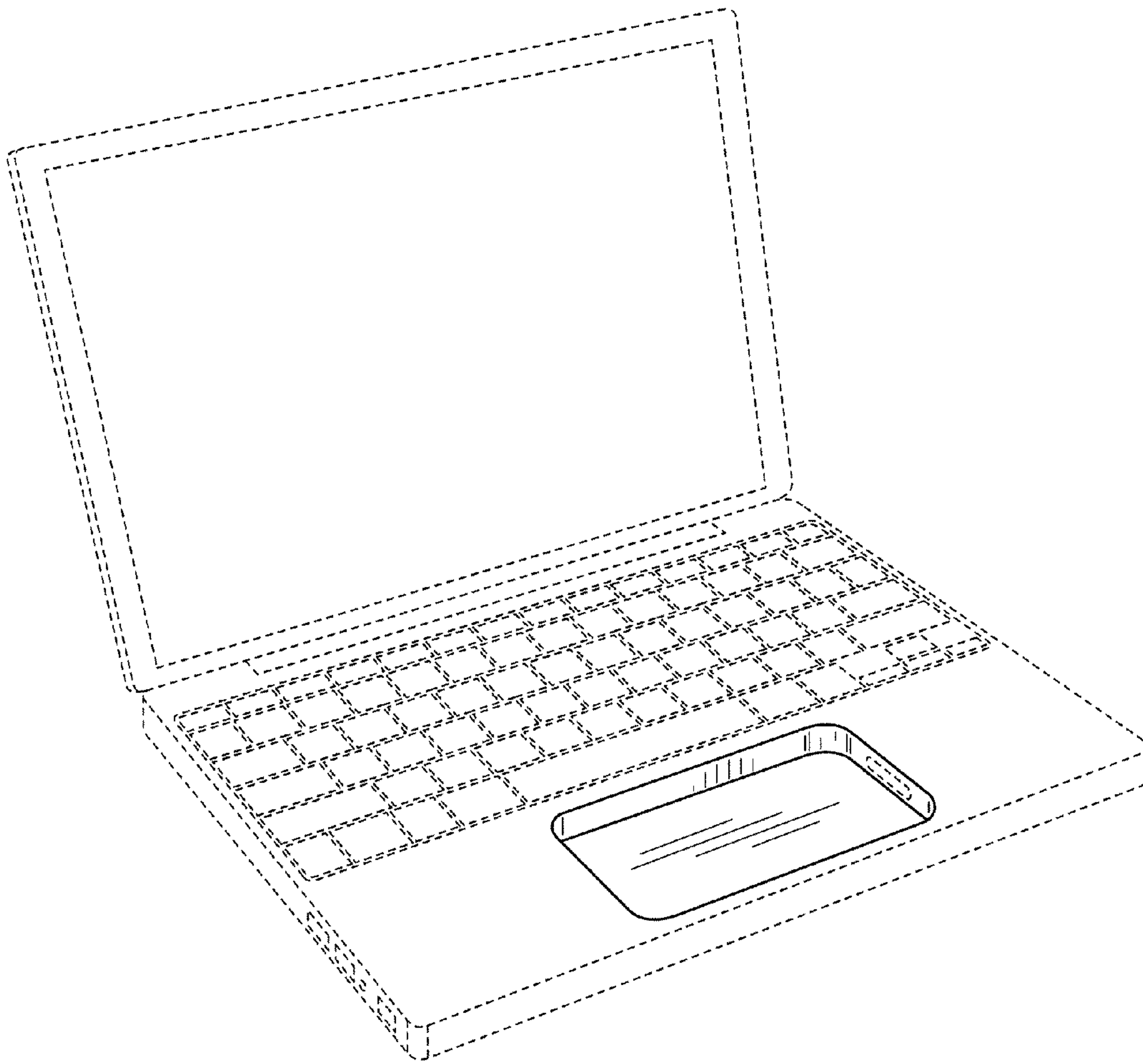


FIG. 2

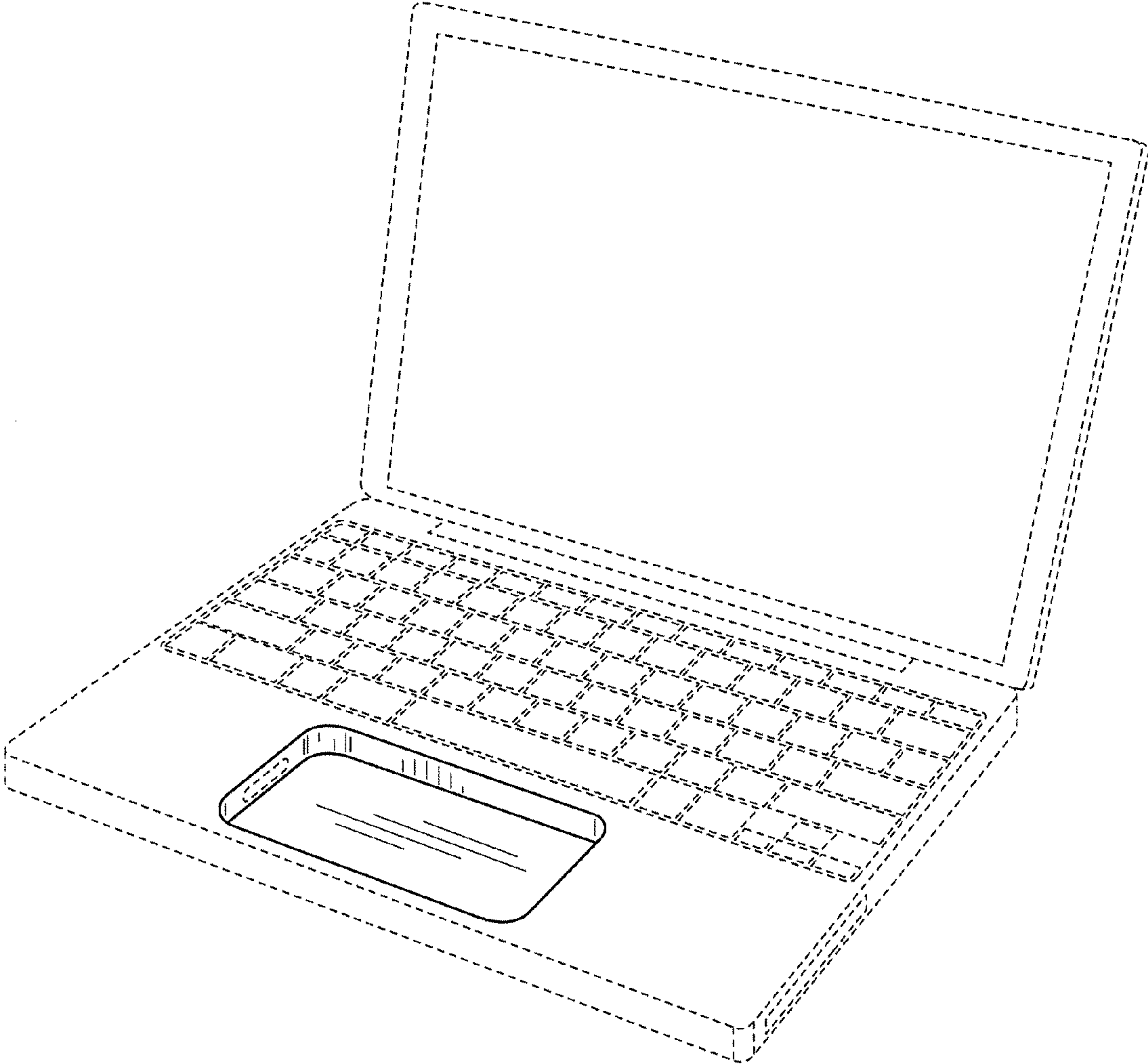


FIG. 3

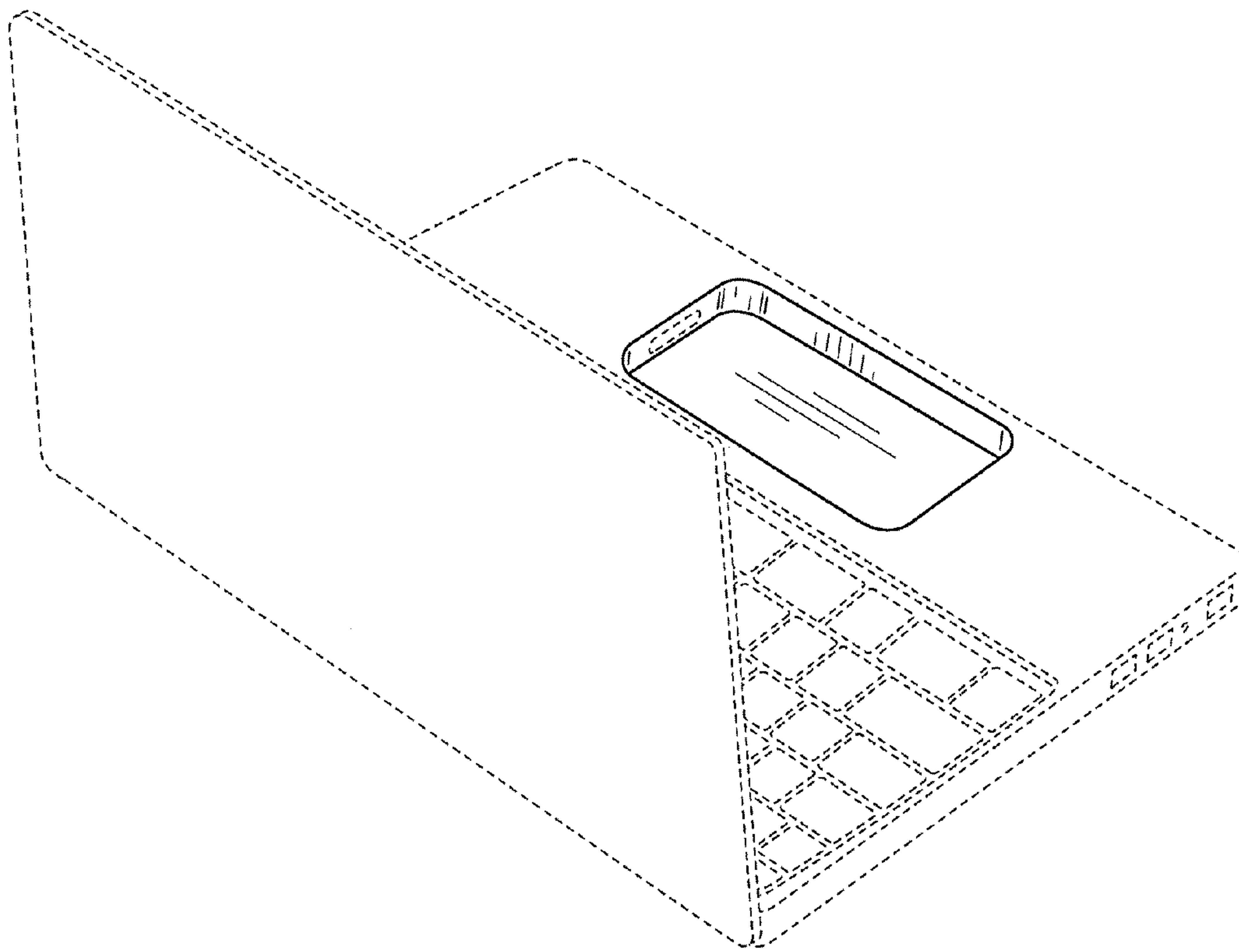


FIG. 4

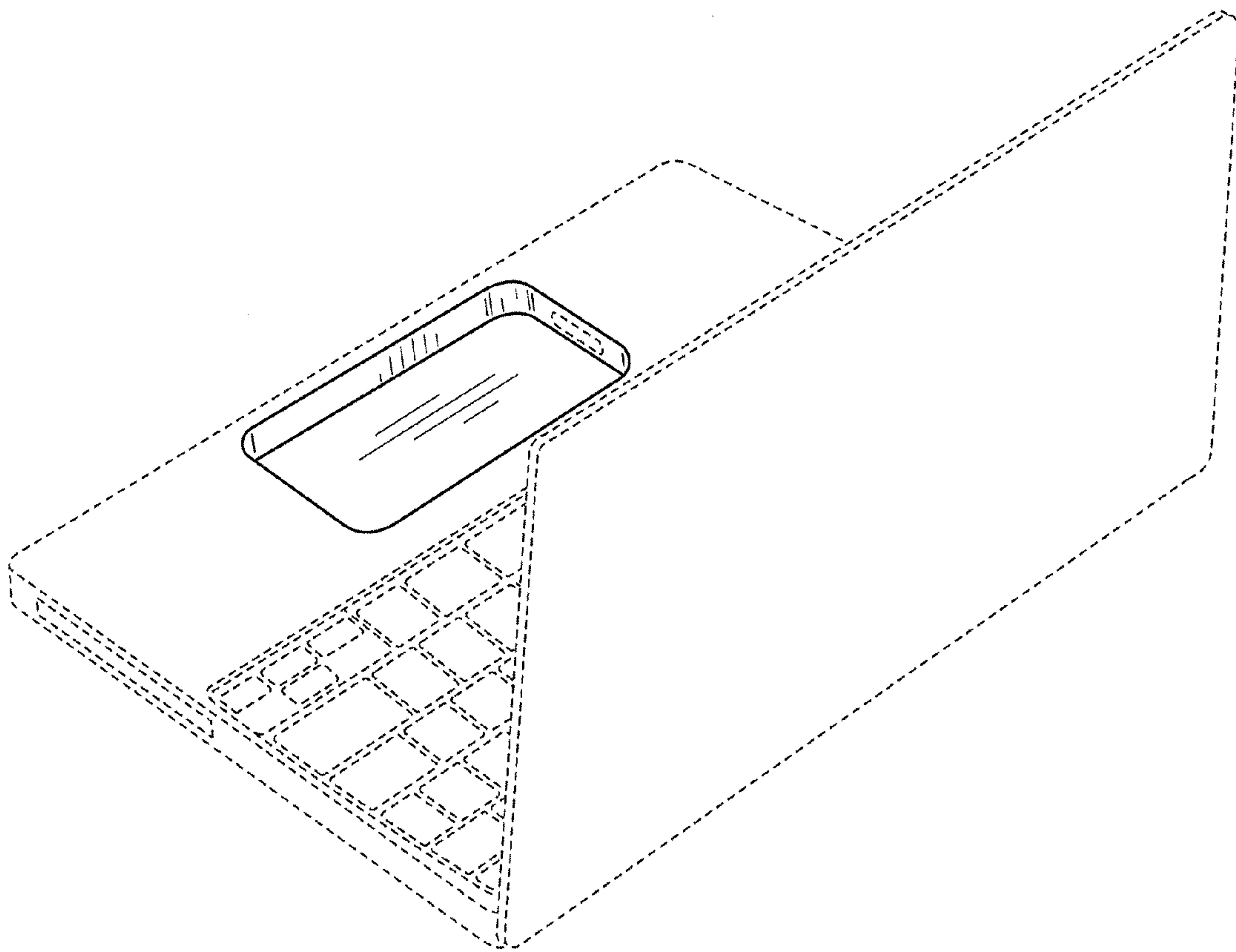


FIG. 5

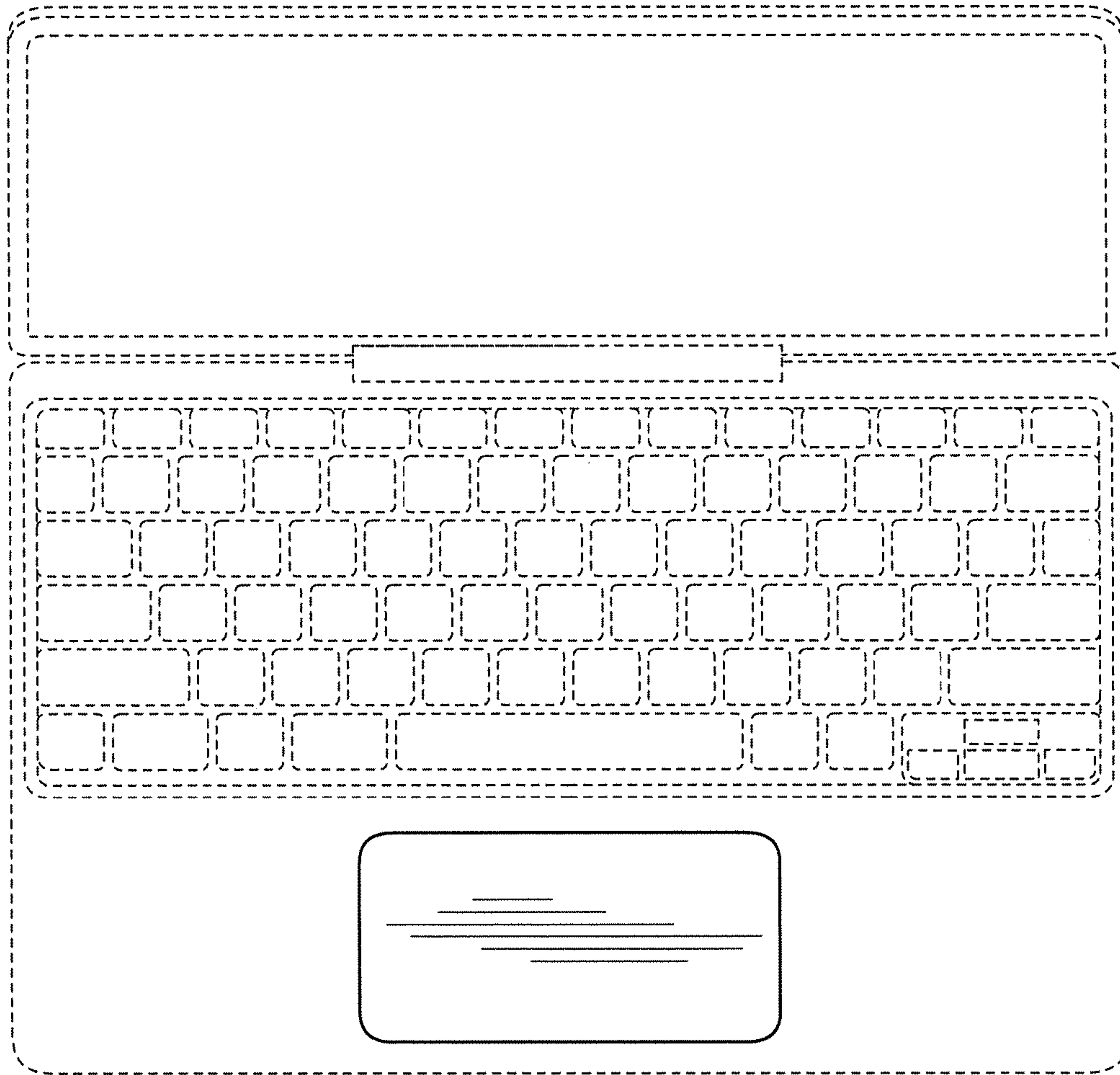


FIG. 6

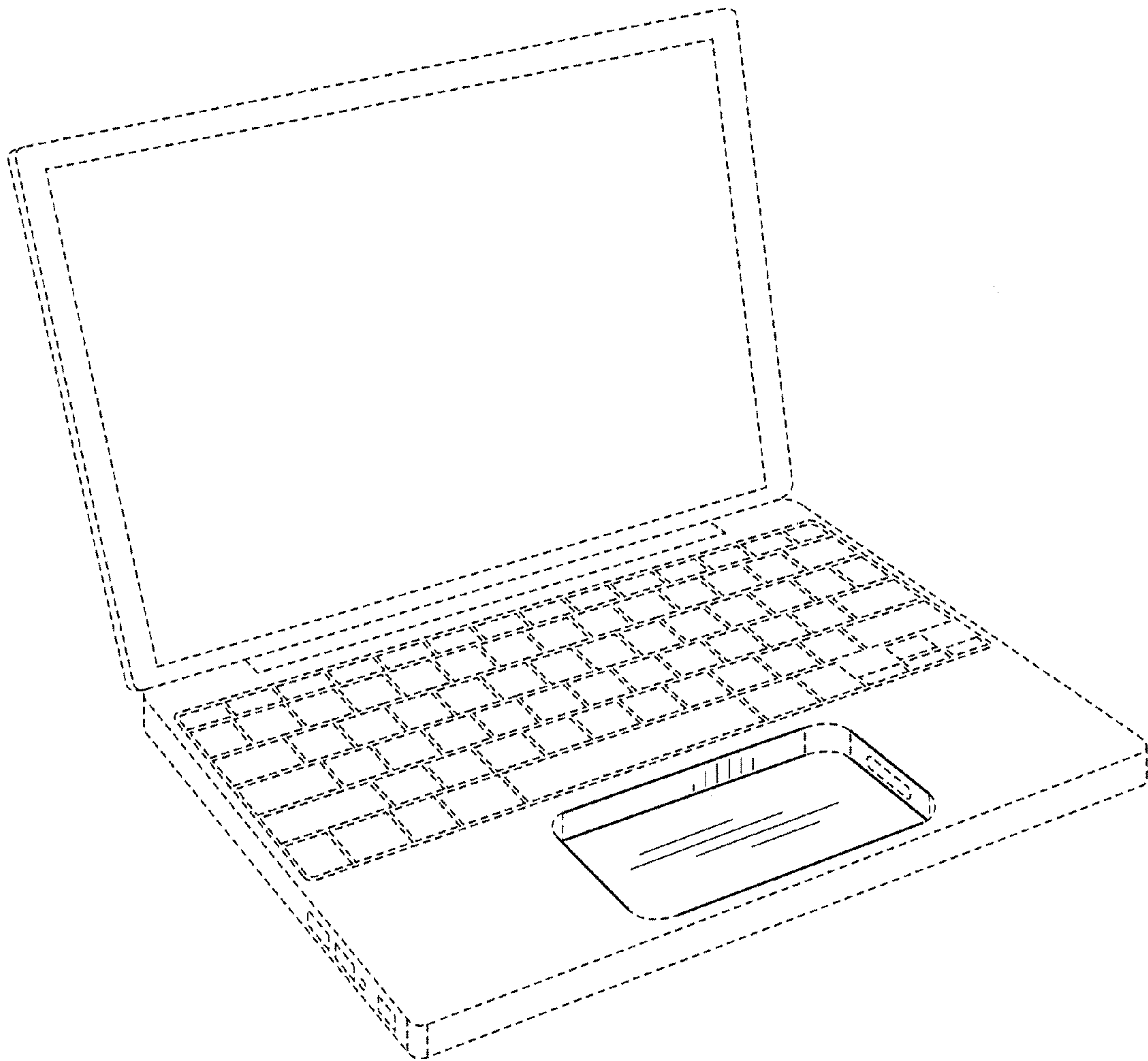


FIG. 7

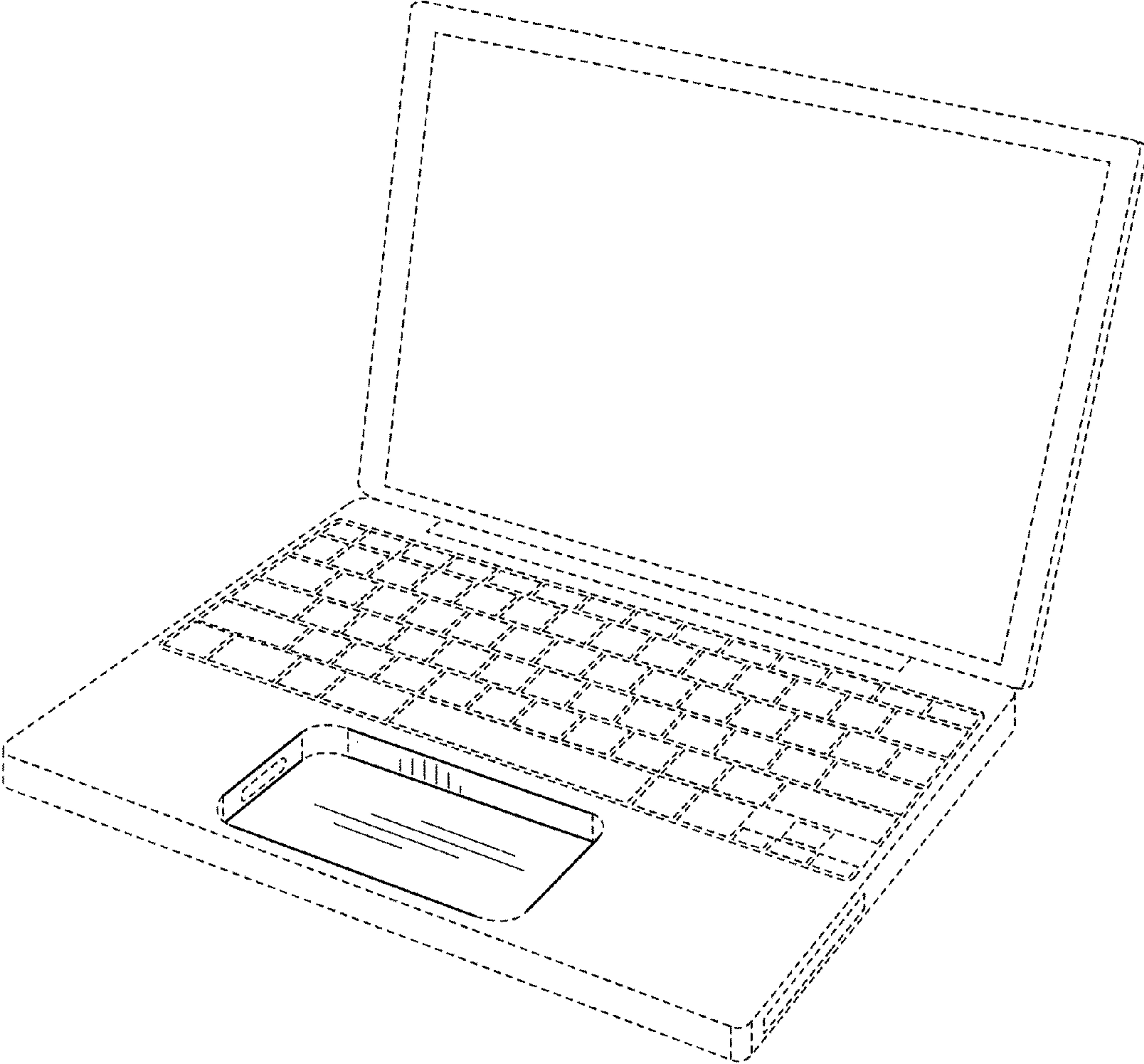


FIG. 8

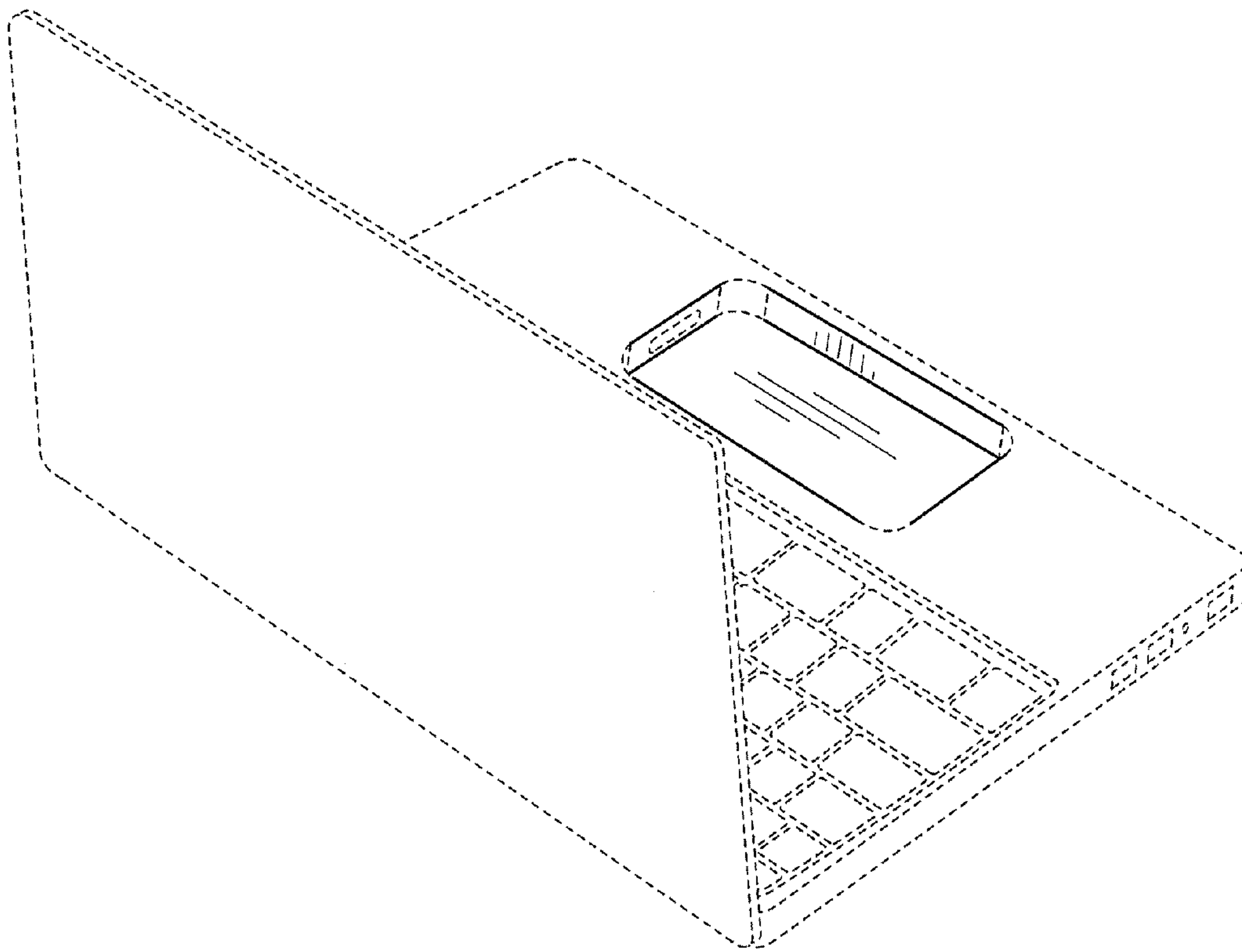


FIG. 9

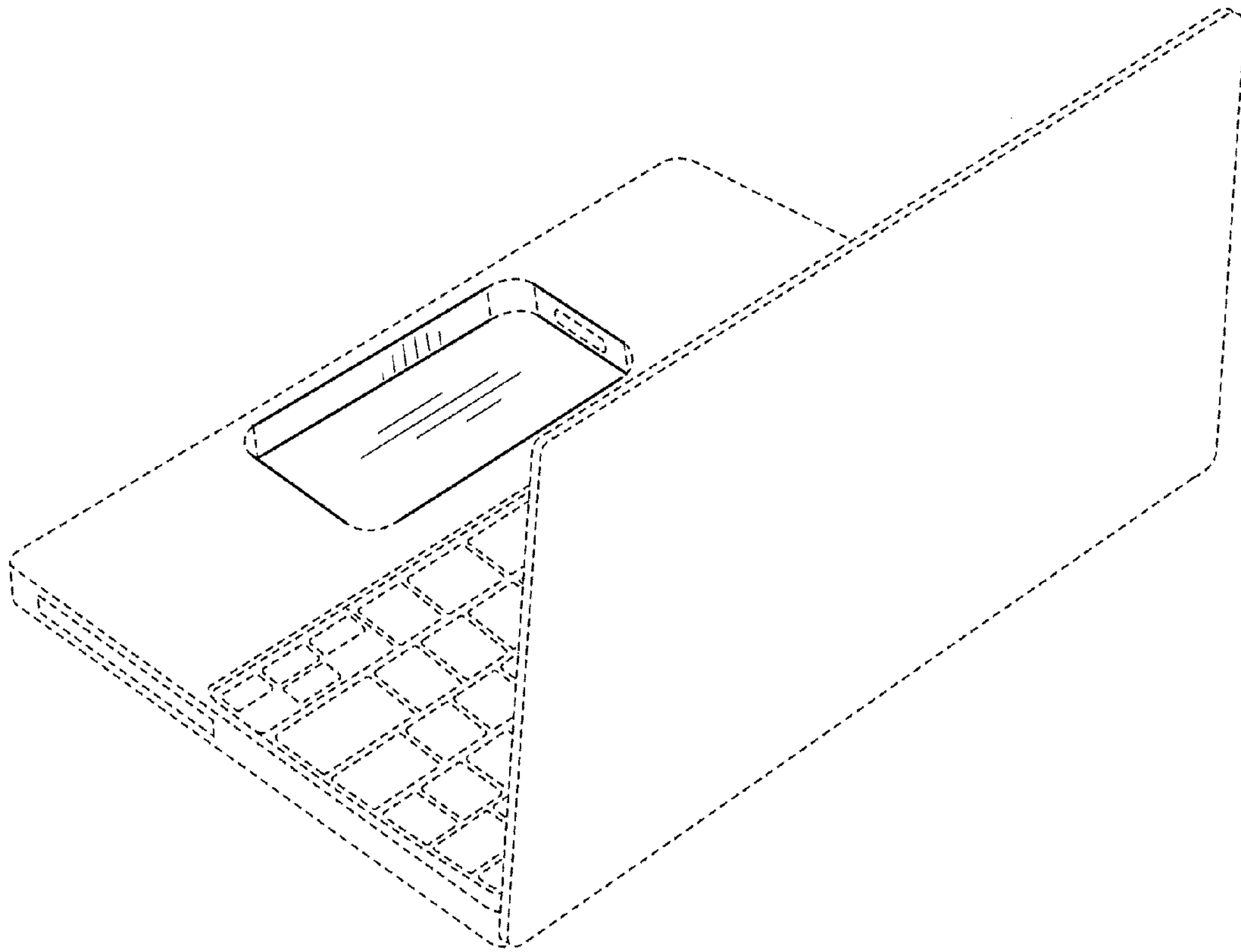


FIG. 10

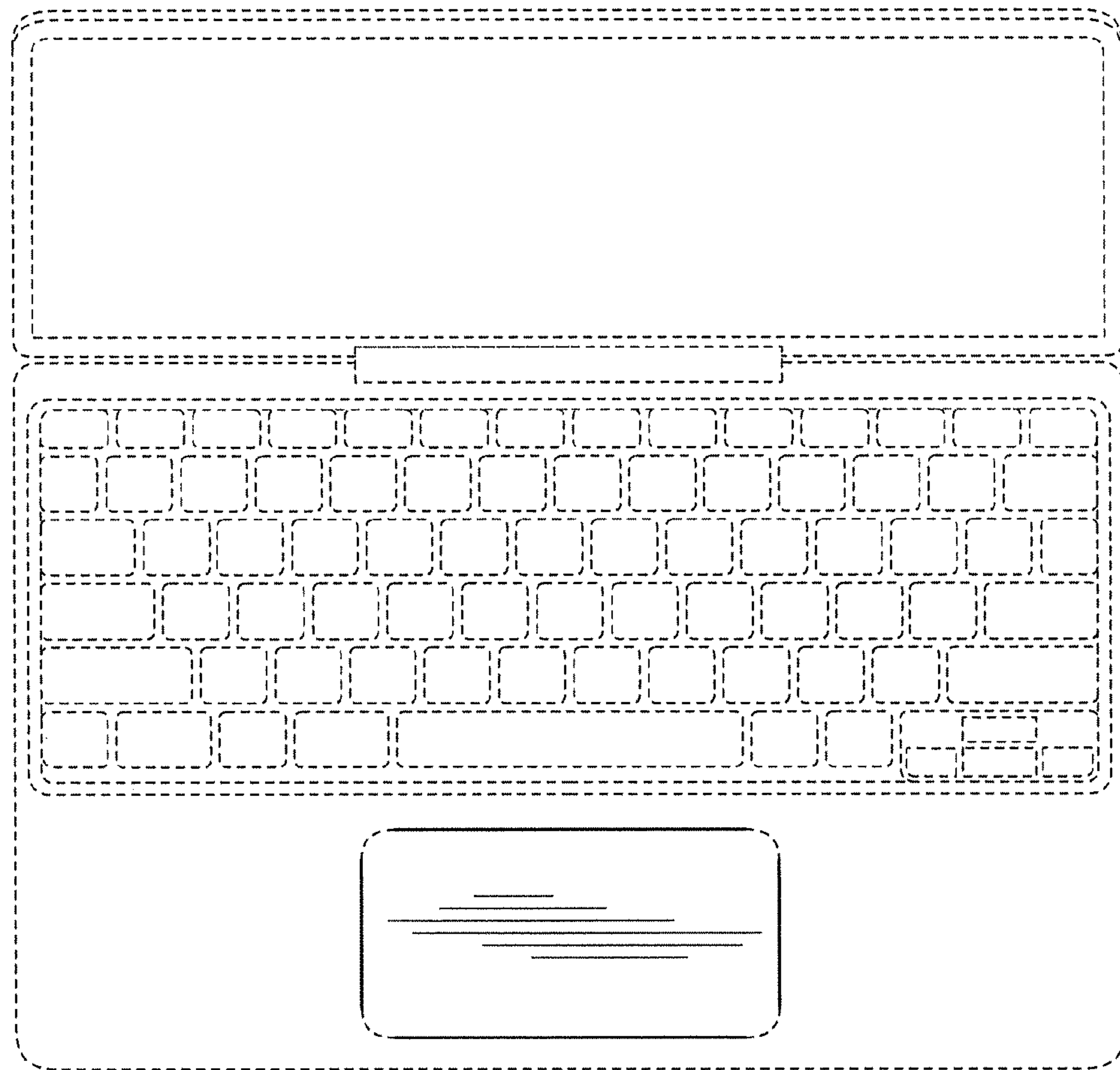


FIG. 11