



US00D654069S

(12) **United States Design Patent**
Kwon et al.

(10) **Patent No.:** **US D654,069 S**
(45) **Date of Patent:** **** Feb. 14, 2012**

(54) **MOBILE PHONE CASE**

(75) Inventors: **Jong-Chan Kwon**, Yongin-Si (KR);
Jun-Won Bae, Yongin-Si (KR); **Sang-Il Park**,
Namyangjoo-Si (KR); **Hae-Jin Kim**, Seoul (KR);
Dae-Kyung Ahn, Seoul (KR)

(73) Assignee: **Samsung Electronics Co., Ltd.** (KR)

(**) Term: **14 Years**

(21) Appl. No.: **29/390,798**

(22) Filed: **Apr. 29, 2011**

(30) **Foreign Application Priority Data**

Mar. 3, 2011 (KR) 30-2011-0008502

(51) **LOC (9) Cl.** **14-03**

(52) **U.S. Cl.** **D14/250**

(58) **Field of Classification Search** D14/250–253,
D14/440, 203.3–203.7, 217, 496, 248; D3/201,
D3/218, 269, 301, 273, 303; D13/103, 107–108;
220/4.02; 248/309.1; 361/679.56; 379/426,
379/433.11, 455; 455/575.1, 575.8; 190/100;
206/305, 320

See application file for complete search history.

(56) **References Cited**

U.S. PATENT DOCUMENTS

D487,453 S * 3/2004 Ribeiro et al. D14/240
D543,541 S * 5/2007 Chung et al. D3/269
D556,681 S * 12/2007 Kim D13/103
D565,290 S * 4/2008 Brandenburg et al. D3/218
D575,056 S * 8/2008 Tan D3/218
D593,750 S * 6/2009 Song D3/269
D602,913 S * 10/2009 Han et al. D14/217
D603,603 S * 11/2009 Laine et al. D3/218

D609,226 S * 2/2010 Hofer et al. D14/248
D609,463 S * 2/2010 Bullen D3/218
D610,135 S * 2/2010 Hofer et al. D14/248
D614,179 S * 4/2010 Behar et al. D14/248
D619,361 S * 7/2010 Andre et al. D3/269
D619,574 S * 7/2010 Richardson et al. D14/250
D620,931 S * 8/2010 Opman D14/250
D624,910 S * 10/2010 Richardson et al. D14/250
D625,303 S * 10/2010 Kim D14/250
D626,538 S * 11/2010 Brown et al. D14/250
7,859,222 B2 * 12/2010 Woud 320/115

(Continued)

OTHER PUBLICATIONS

Samsung Galaxy S t959 Cover, <URL:http://www.samsung.com/us/mobile/cell-phones-accessories/ET-T959PCFGSHC>, retrieved from internet Oct. 1, 2011.*

(Continued)

Primary Examiner — Robert M Spear

Assistant Examiner — Carla Wright

(74) *Attorney, Agent, or Firm* — NSIP Law

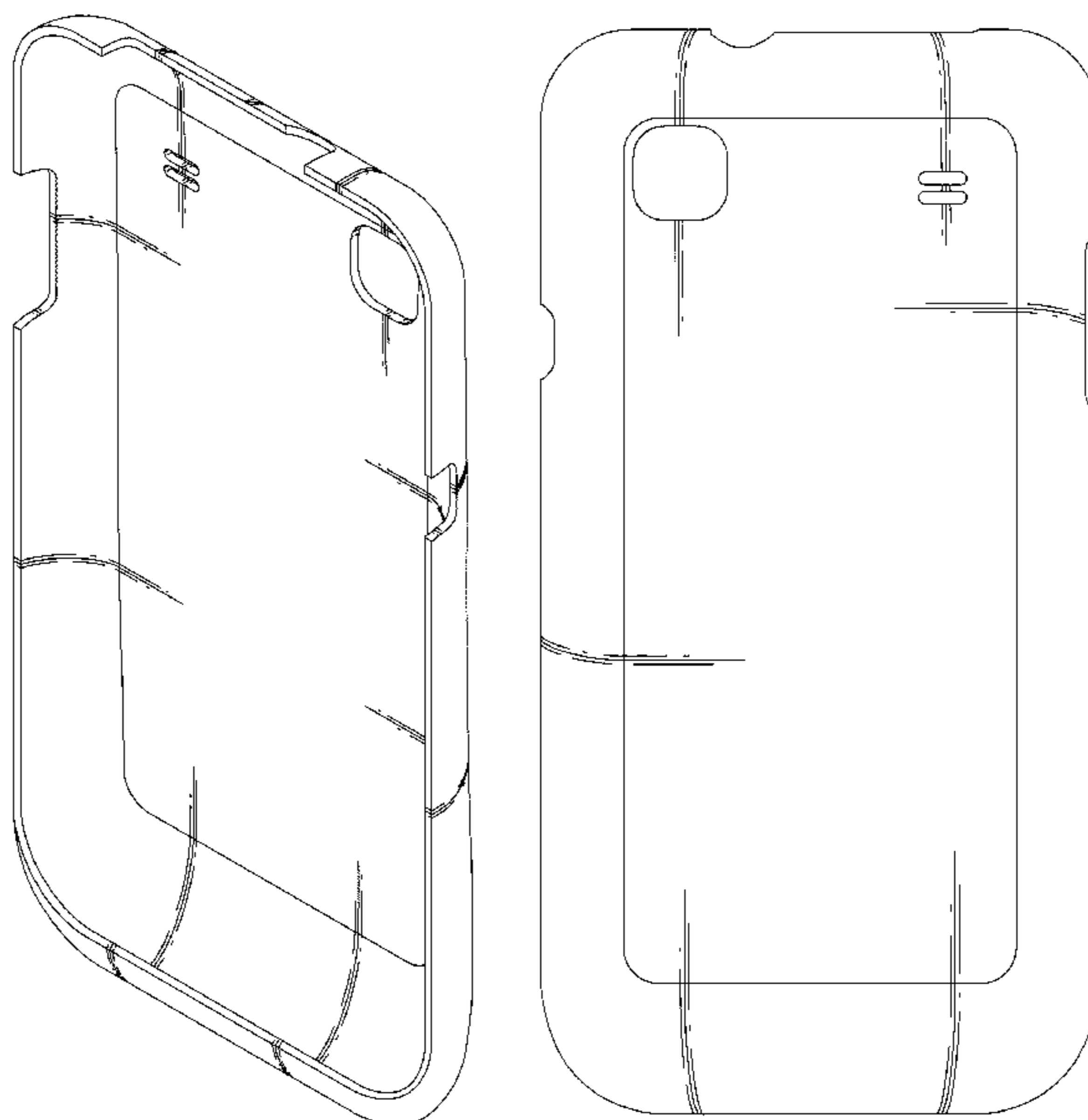
(57) **CLAIM**

The ornamental design for a mobile phone case, as shown and described.

DESCRIPTION

FIG. 1 is a perspective view of a mobile phone case; FIG. 2 is a front view of the mobile phone case of FIG. 1; FIG. 3 is a rear view of the mobile phone case of FIG. 1; FIG. 4 is a left-side view of the mobile phone case of FIG. 1; FIG. 5 is a right-side view of the mobile phone case of FIG. 1; FIG. 6 is a top plan view of the mobile phone case of FIG. 1; and, FIG. 7 is a bottom plan view of the mobile phone case of FIG. 1.

1 Claim, 5 Drawing Sheets



US D654,069 S

Page 2

U.S. PATENT DOCUMENTS

D635,555 S * 4/2011 Giles D14/217
2009/0036174 A1 * 2/2009 Brandenburg et al. 455/575.1
2010/0224519 A1 * 9/2010 Kao 206/320

OTHER PUBLICATIONS

Samsung Galaxy S 4G/Vibrant 4G/T959/Vibrant/I9000 Hybrid Pro-
tector Case, <URL:<http://www.gzcellphonecase.com/pid10054832/>

Samsung+Galaxy+S+4G%2FVibrant+4G%2FT959%2FVibrant%
2FI9000+Hybrid+Protector+Case.htm>, retrieved from internet Oct.
1, 2011.*

Samsung Galaxy S T959 Vibrant Teal Ultra Slim PC Case,
<URL:<http://www.ebay.com/itm/Samsung-Galaxy-S-T959-Vi-brant-Teal-Ultra-Slim-PC-Case-/170601124486>>, retrieved from
internet Oct. 1, 2011.*

* cited by examiner

FIG. 1

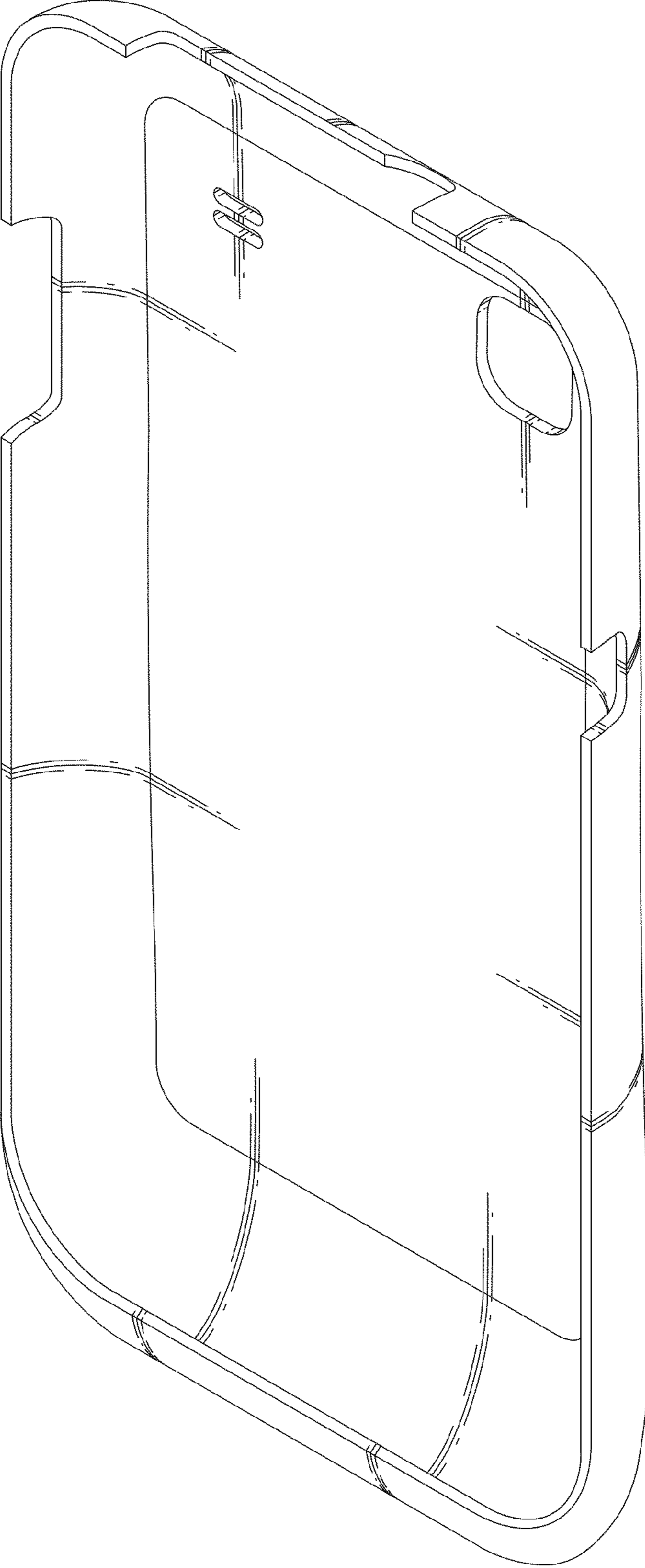


FIG. 2

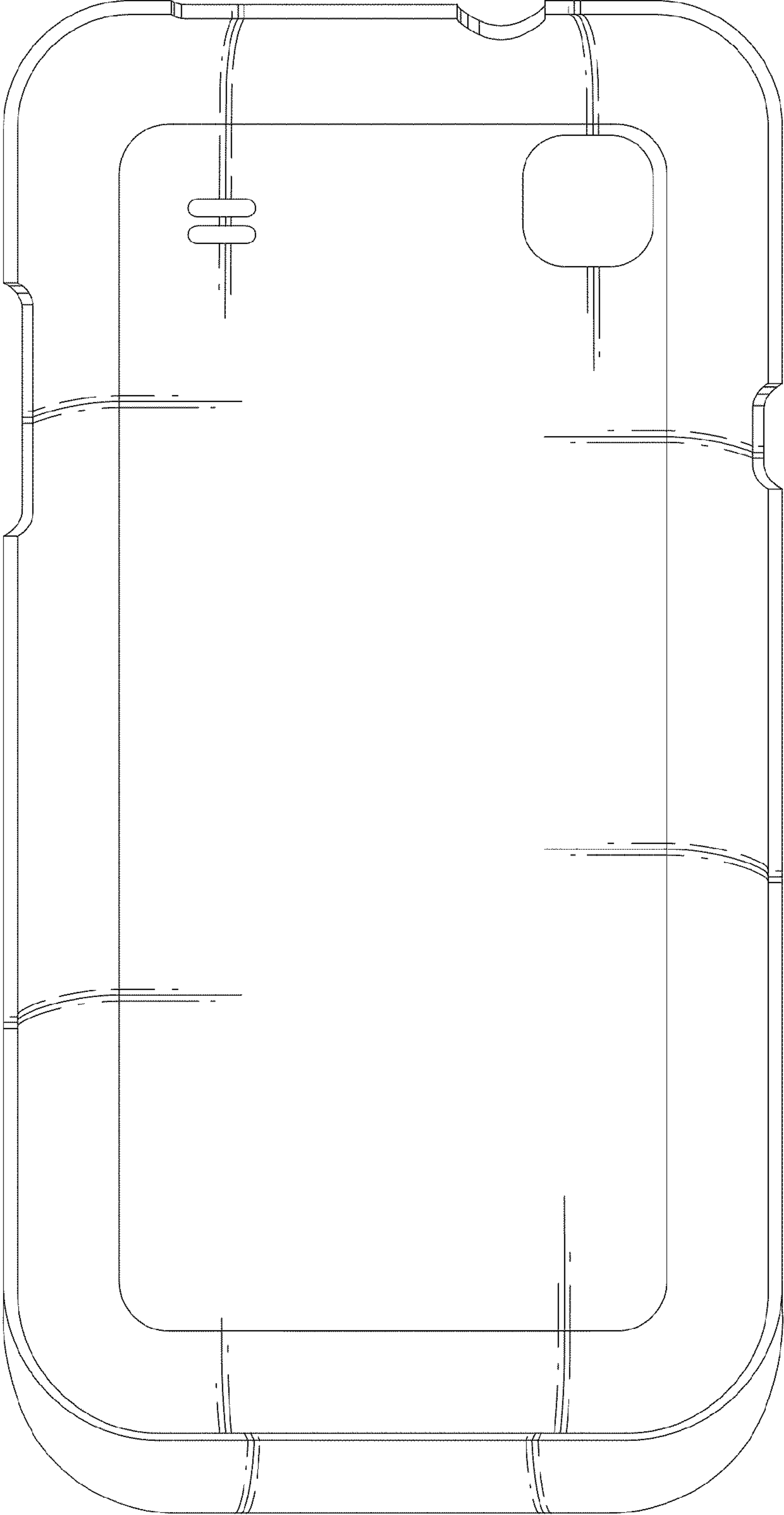


FIG. 3

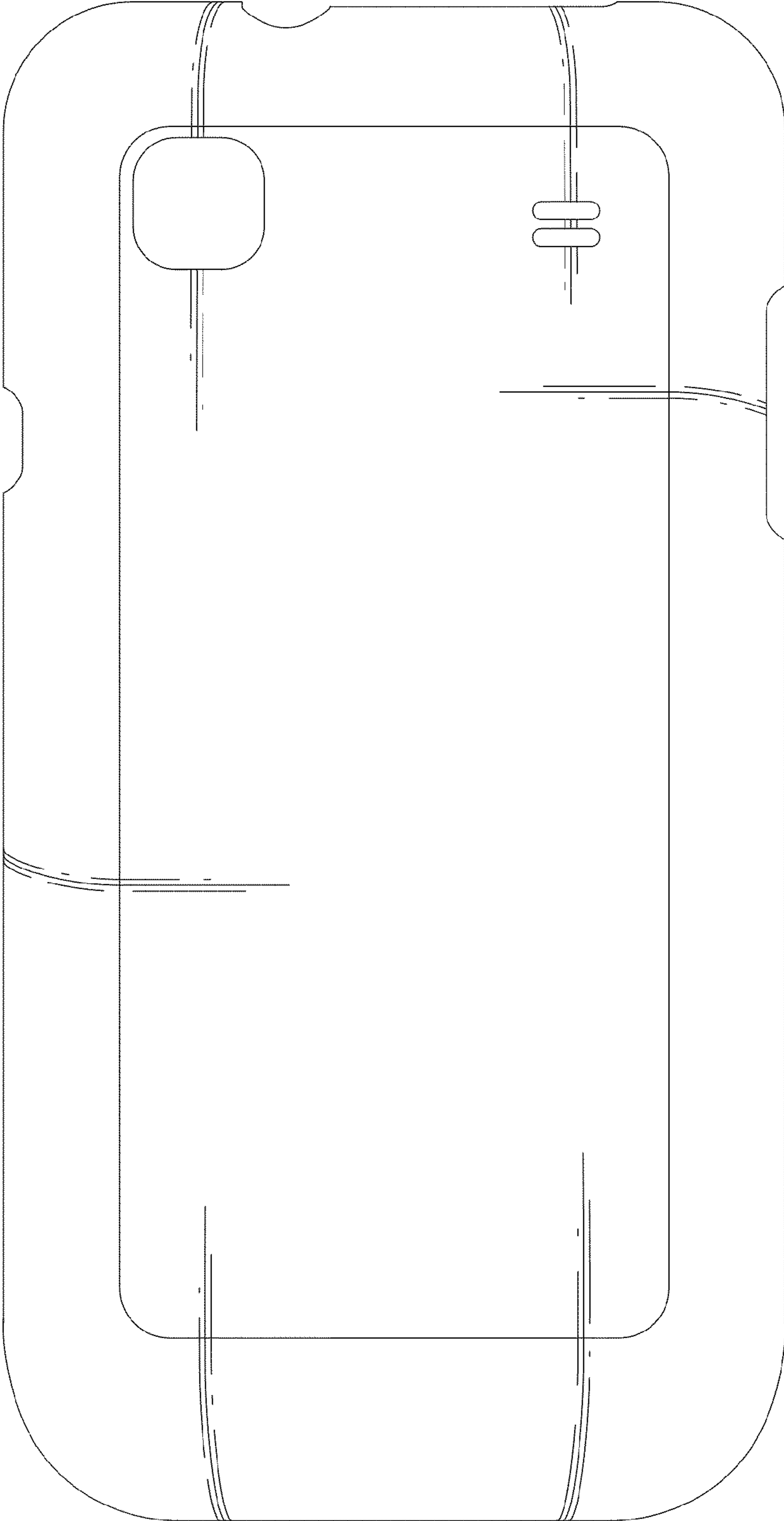


FIG. 4

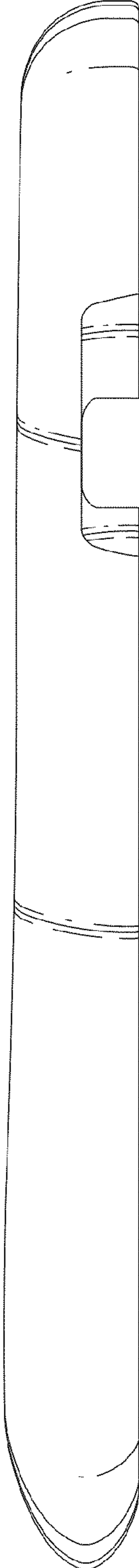


FIG. 5

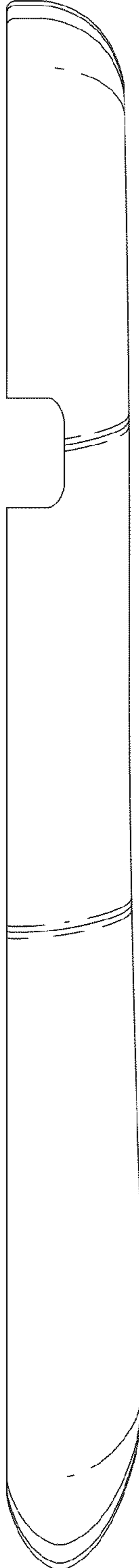


FIG. 6

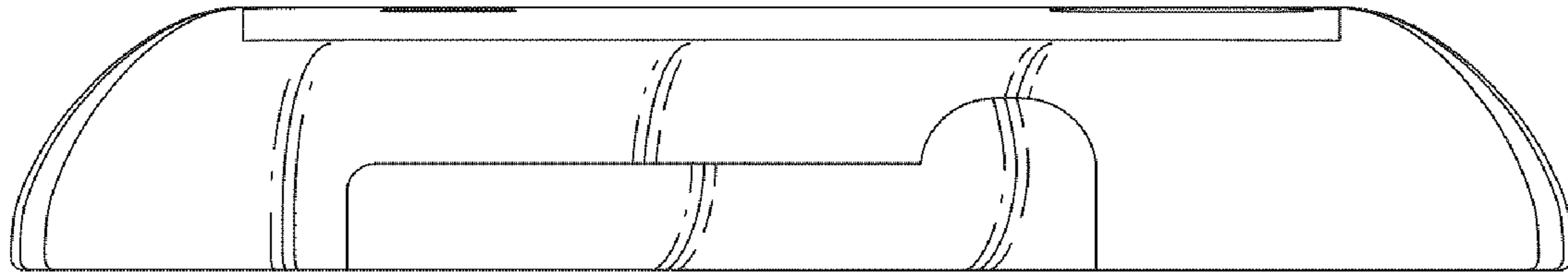


FIG. 7

