



US00D654065S

(12) **United States Design Patent**
Stemple

(10) **Patent No.:** **US D654,065 S**
(45) **Date of Patent:** **** Feb. 14, 2012**

(54) **ARM FOR USE WITH MOUNTING SYSTEMS FOR MOUNTING A FLAT PANEL TELEVISIONS OR THE LIKE**

D488,708 S 4/2004 Lam et al.
D489,599 S 5/2004 Lam
D496,367 S 9/2004 Pfister
D505,858 S 6/2005 O'Keene
6,905,101 B1 6/2005 Dittmer

(Continued)

(75) Inventor: **James Michael Stemple**, Marengo, IL (US)

(73) Assignee: **Peerless Industries, Inc.**, Aurora, IL (US)

FOREIGN PATENT DOCUMENTS

DE 202006013179 U1 1/2007

(Continued)

(**) Term: **14 Years**

(21) Appl. No.: **29/399,889**

(22) Filed: **Aug. 19, 2011**

OTHER PUBLICATIONS

“CR4—Thread: Wall Mount for TV,” CR4 Globalspec Forums, <http://cr4.globalspec.com/thread/59003>, Aug. 16, 2011.

Primary Examiner — Robert M Spear

Assistant Examiner — Randall Gholson

(74) *Attorney, Agent, or Firm* — Foley & Lardner LLP

Related U.S. Application Data

(63) Continuation of application No. 12/637,018, filed on Dec. 14, 2009.

(51) **LOC (9) Cl.** **14-03**

(52) **U.S. Cl.** **D14/239**

(58) **Field of Classification Search** D14/125–134, D14/239, 371, 136, 374–377; D8/363, 373, D8/349, 394; 248/465, 917–924, 123.11; 348/825, 827, 836, 837, 838, 180, 184, 325, 348/739; 600/443; D6/477–479, 407, 474, D6/460, 461, 468; 312/7.2; 341/12; 345/87, 345/104, 133, 156, 168, 169, 173; 720/605, 720/669, 600, 655; 369/99, 197; 455/344–347; 349/1, 2, 11, 62; 108/59, 91, 92, 96; 211/40, 211/41.12, 42, 49.1, 50, 85.2, 90.04, 187, 211/190, 119.003, 134.153, 87.01, 71.01

See application file for complete search history.

(57) **CLAIM**

I claim the ornamental design for a arm for use with mounting systems for mounting flat panel televisions or the like, as shown and described.

DESCRIPTION

FIG. 1 is a front perspective view of a arm for use with mounting systems for mounting flat panel televisions or the like showing my new design;

FIG. 2 is a rear perspective view thereof;

FIG. 3 is a right side elevational view thereof;

FIG. 4 is a left side elevational view thereof;

FIG. 5 is a top plan view thereof;

FIG. 6 is a front elevational view thereof; and,

FIG. 7 is a rear elevational view thereof.

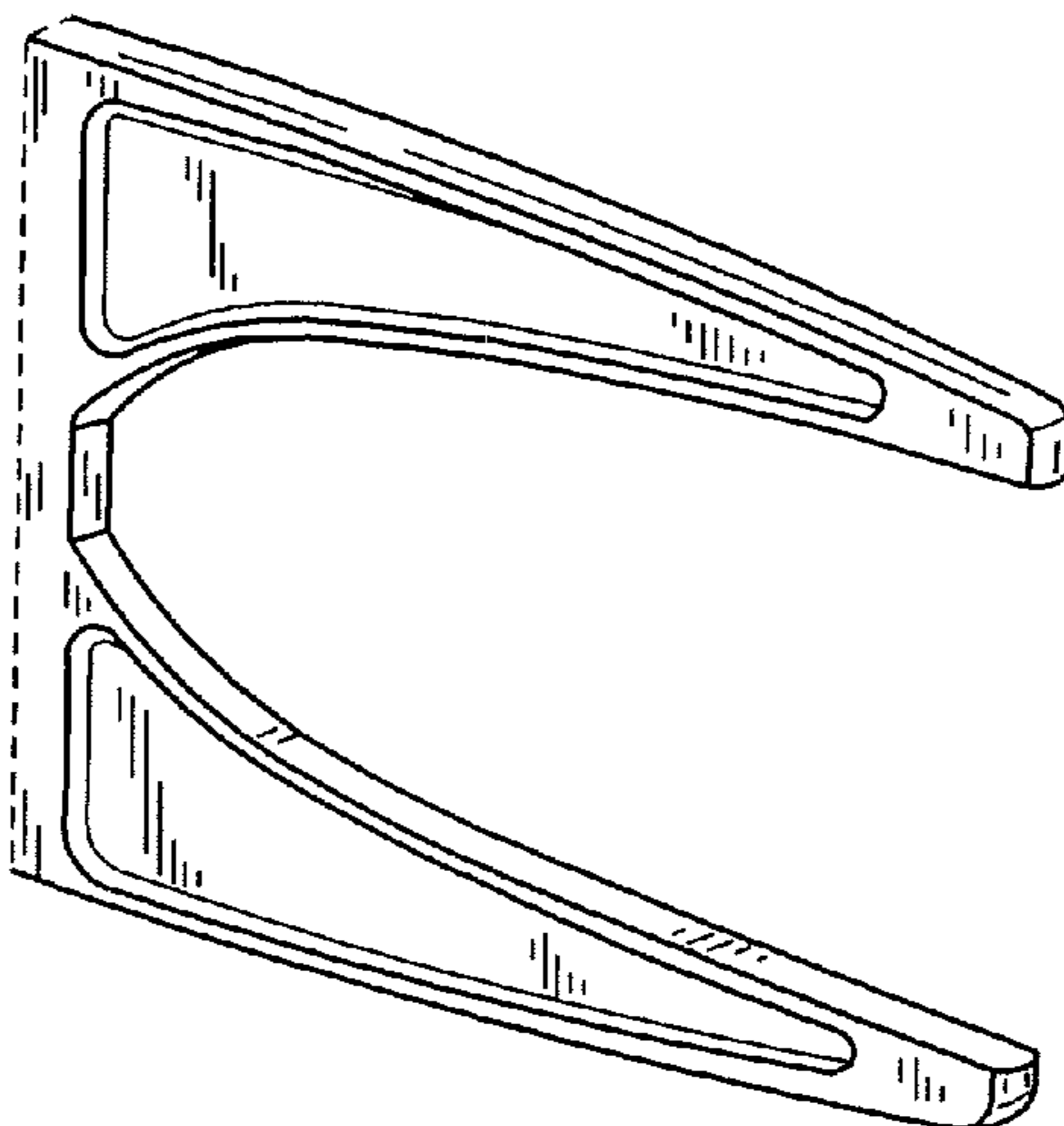
The ornamental design which is claimed is shown in solid lines in the drawings. The broken lines in the drawings are used herein to define the bounds of the claimed design. The bottom surface of the design is devoid of claimed surface ornamentation.

(56) **References Cited**

U.S. PATENT DOCUMENTS

3,656,246 A * 4/1972 Lord 38/144
D377,897 S 2/1997 Vogels
D388,646 S 1/1998 Canton Gongora et al.
D395,226 S 6/1998 Maher et al.
6,102,348 A 8/2000 O'Neill
6,256,837 B1 7/2001 Lan et al.

1 Claim, 3 Drawing Sheets



US D654,065 S

Page 2

U.S. PATENT DOCUMENTS

D507,477	S	7/2005	Pfister	
D508,917	S	8/2005	Wills et al.	
6,987,666	B2	1/2006	Medica et al.	
7,028,961	B1	4/2006	Dittmer et al.	
D529,033	S	9/2006	Hung	
D530,595	S	10/2006	Lam et al.	
7,152,836	B2	12/2006	Pfister et al.	
7,178,775	B2	2/2007	Pfister et al.	
D537,706	S	3/2007	Ly Hau et al.	
D538,633	S	3/2007	Ly Hau et al.	
D539,123	S	3/2007	Ly Hau et al.	
D539,127	S	3/2007	Ly Hau et al.	
D540,154	S	4/2007	Bremmon	
D540,332	S	4/2007	Dittmer et al.	
D543,439	S	5/2007	Brassard	
D543,548	S	5/2007	Muday et al.	
7,243,892	B2	7/2007	Pfister	
D549,558	S	8/2007	Dittmer et al.	
7,264,212	B2	9/2007	Hung	
D552,974	S	10/2007	Petrick et al.	
D553,135	S	10/2007	Muday et al.	
D556,205	S	11/2007	Wohlford et al.	
D558,560	S	1/2008	Ciungan	
D558,561	S	1/2008	Ciungan	
D558,562	S	1/2008	Ciungan	
D558,563	S	1/2008	Ciungan	
D558,564	S	1/2008	Ciungan	
D559,087	S	1/2008	Ciungan	
D559,088	S	1/2008	Ciungan	
D562,113	S	2/2008	Ciungan et al.	
D565,938	S	4/2008	Massoumi et al.	
D566,531	S	4/2008	Massoumi et al.	
D567,560	S	4/2008	Byers	
D568,325	S	5/2008	Muday et al.	
D568,890	S	5/2008	Sculler et al.	
7,380,760	B2	6/2008	Dittmer	
7,387,286	B2	6/2008	Dittmer et al.	
7,395,996	B2	7/2008	Dittmer	
D577,730	S	9/2008	Rutten	
7,438,269	B2	10/2008	Pfister et al.	
D580,743	S	11/2008	Short	
7,487,943	B1	2/2009	Gillespie	
D587,504	S *	3/2009	Russell et al.	D6/570
D587,716	S	3/2009	Hau et al.	

D590,835	S	4/2009	Richter	
7,513,469	B1	4/2009	Ciungan	
D593,080	S	5/2009	Russell et al.	
D595,723	S	7/2009	Bures et al.	
D596,189	S	7/2009	Bures et al.	
D605,185	S	12/2009	Russell et al.	
7,641,163	B2	1/2010	O'Keene	
D611,480	S	3/2010	Hau et al.	
7,753,332	B2	7/2010	O'Keene	
D623,654	S *	9/2010	Hau et al.	D14/452
D627,767	S *	11/2010	Molter et al.	D14/239
7,832,700	B2	11/2010	Ciungan	
7,866,621	B1	1/2011	Walters	
D638,023	S	5/2011	Skull et al.	
7,950,613	B2	5/2011	Anderson et al.	
D641,369	S	7/2011	Skull et al.	
D646,685	S *	10/2011	Skull et al.	D14/452
2002/0011544	A1 *	1/2002	Bosson	248/121
2002/0033436	A1 *	3/2002	Peng et al.	248/284.1
2003/0154673	A1	8/2003	MacGregor et al.	
2004/0000031	A1	1/2004	Hsu	
2005/0127261	A1 *	6/2005	Lin	248/288.51
2005/0152102	A1	7/2005	Shin	
2006/0284037	A1	12/2006	Dittmer et al.	
2007/0194196	A1	8/2007	Pfister et al.	
2008/0035816	A1	2/2008	Ciungan	
2008/0105633	A1	5/2008	Dozier et al.	
2008/0237424	A1	10/2008	Clary	
2008/0258029	A1	10/2008	Zhang	
2009/0050763	A1	2/2009	Dittmer	
2009/0173860	A1	7/2009	Remy	
2009/0194655	A1	8/2009	Huang	
2009/0289159	A1	11/2009	O'Keene	
2010/0172072	A1	7/2010	Monaco	
2010/0213334	A1 *	8/2010	Davenport	248/220.21

FOREIGN PATENT DOCUMENTS

DE	202008001895	U1	7/2008
DE	202009000975	U1	5/2009
EP	1837583	A2	9/2007
WO	WO2007/035770	A1	3/2007
WO	WO2008/083396	A1	7/2008
WO	WO2008/123852	A1	10/2008

* cited by examiner

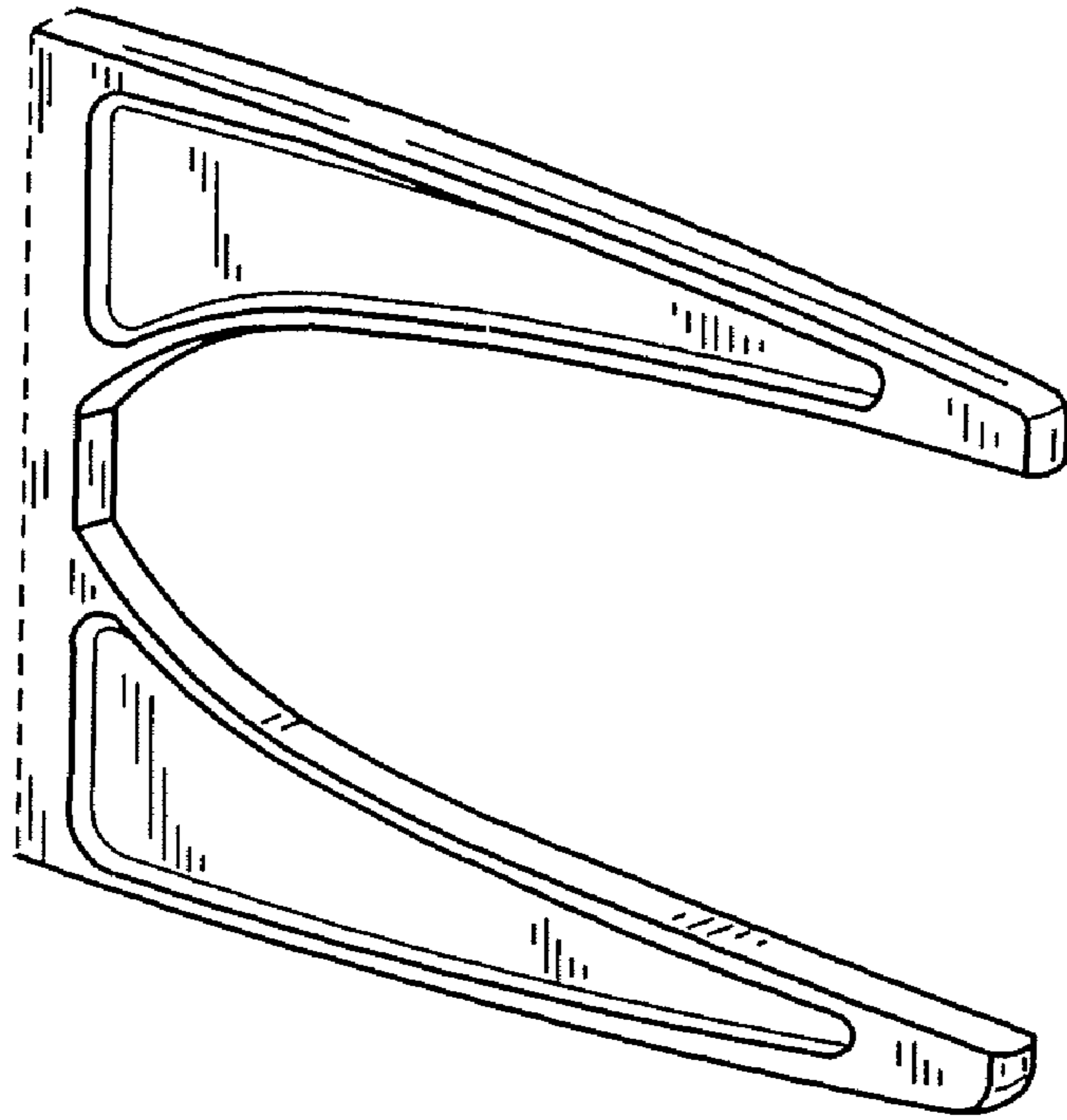


FIG. 1

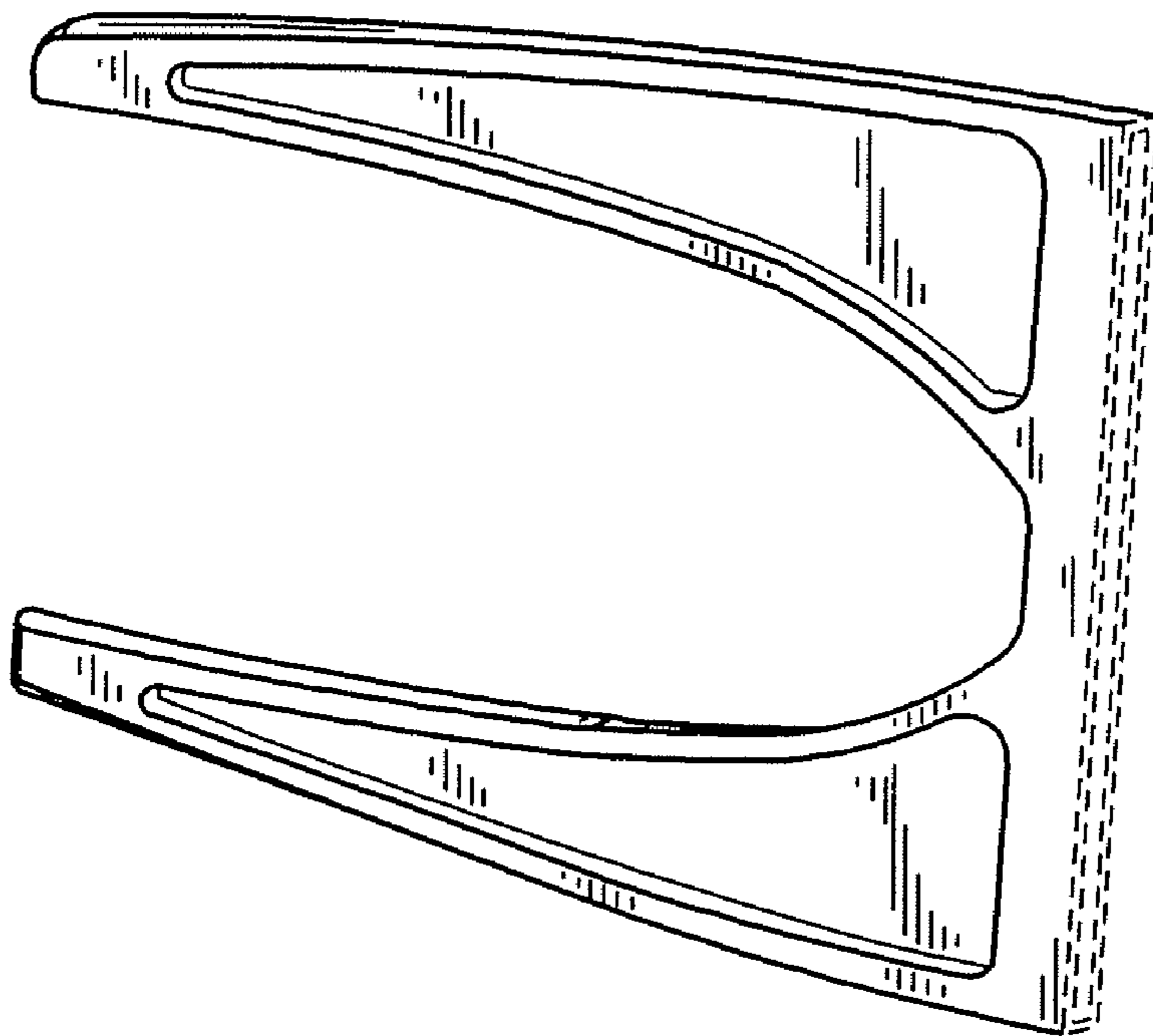


FIG. 2

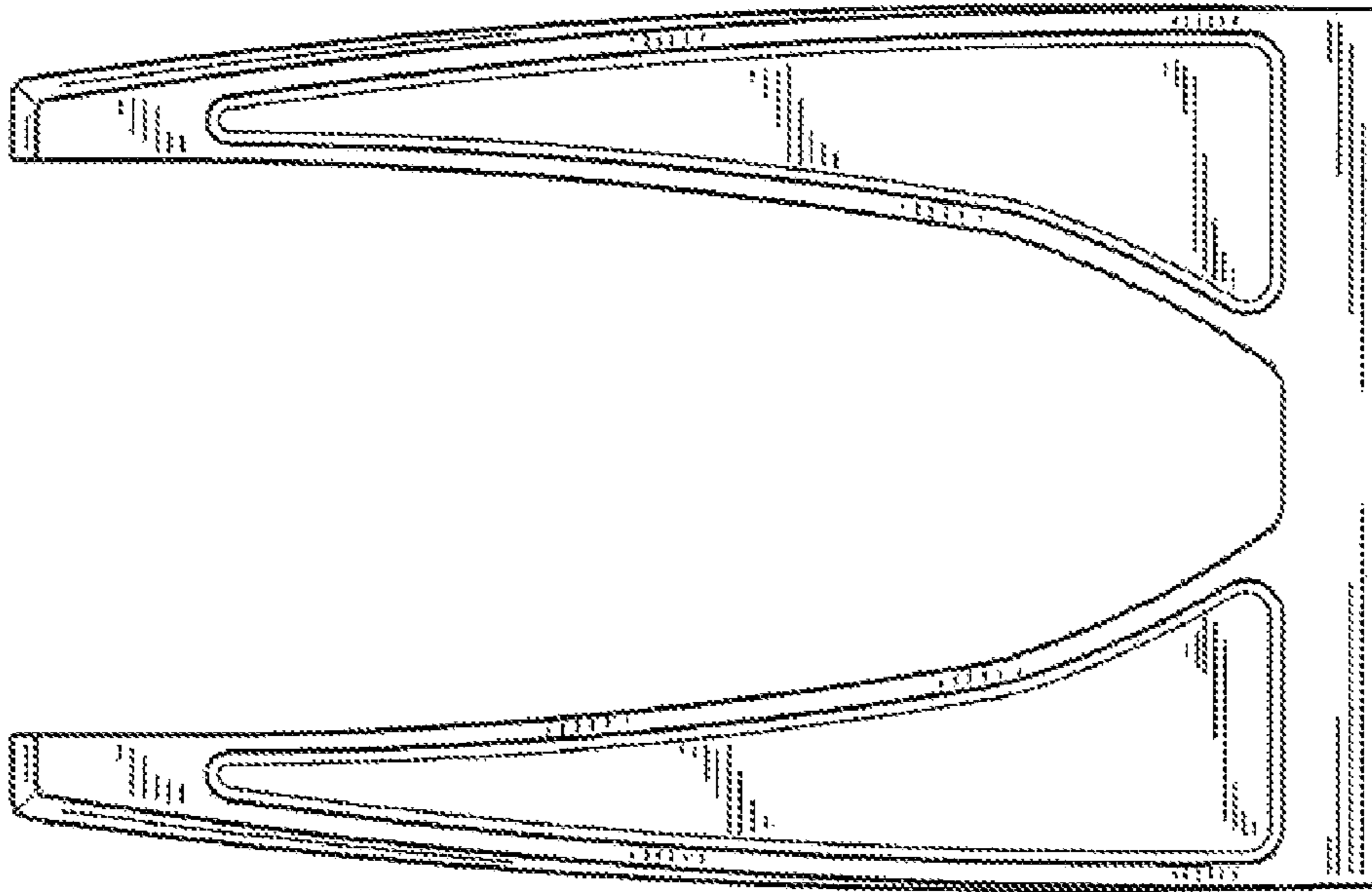


FIG. 3

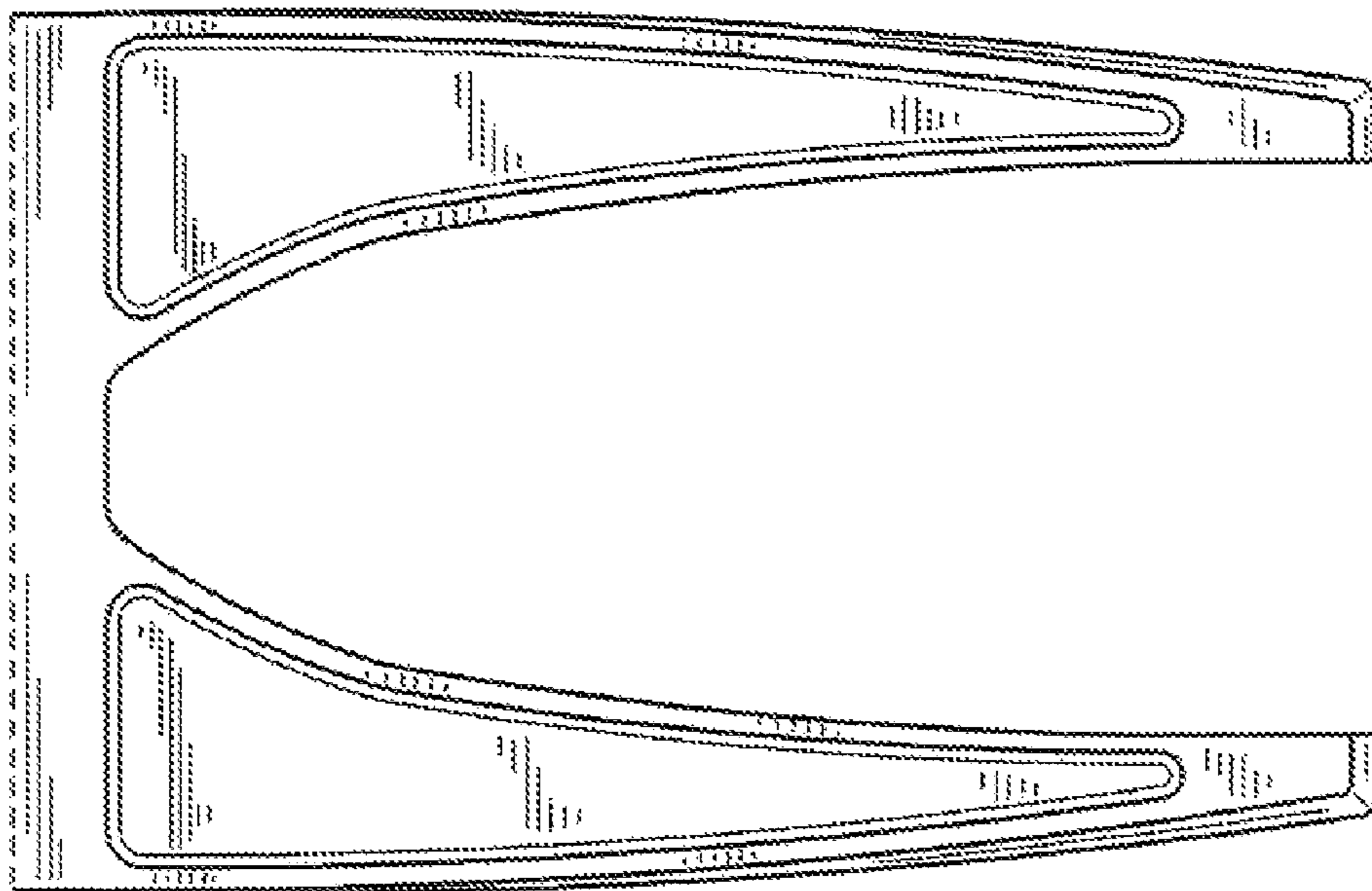


FIG. 4

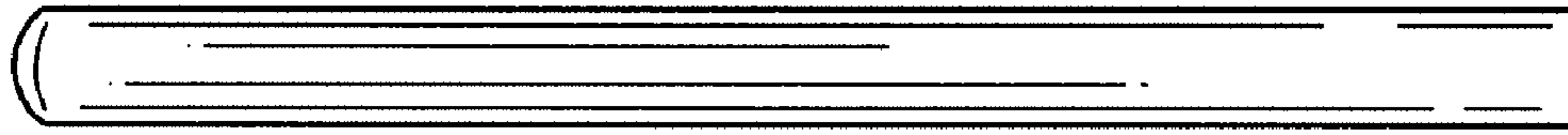


FIG. 5

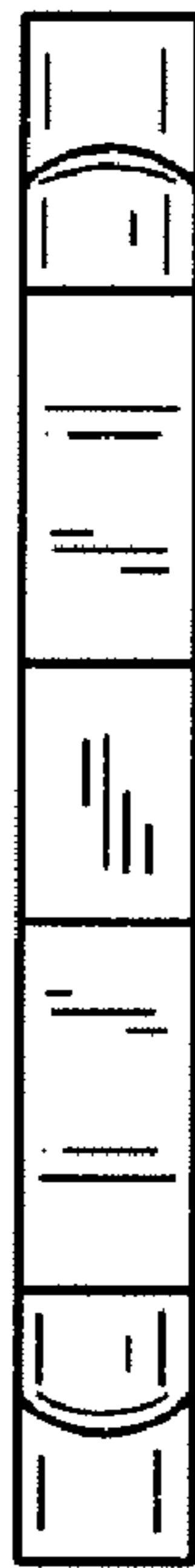


FIG. 6

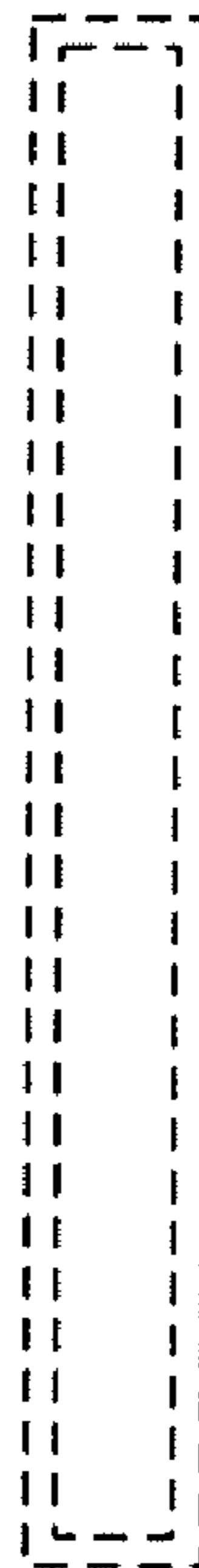


FIG. 7