



US00D654063S

(12) **United States Design Patent**
Sergi

(10) **Patent No.:** **US D654,063 S**

(45) **Date of Patent:** **** Feb. 14, 2012**

- (54) **BRACKET FOR AN ANTENNA MAST**
- (76) Inventor: **Paul D. Sergi**, Peninsula, OH (US)
- (**) Term: **14 Years**
- (21) Appl. No.: **29/391,880**
- (22) Filed: **May 13, 2011**
- (51) **LOC (9) Cl.** **14-03**
- (52) **U.S. Cl.** **D14/238**
- (58) **Field of Classification Search** D14/230–238,
D14/354, 299, 358; D6/495; D16/242; 343/700 R,
343/878–892; 455/561; D8/354
See application file for complete search history.

- D557,116 S * 12/2007 Zakowski D8/354
- 7,432,875 B1 10/2008 Sergi
- D605,930 S * 12/2009 Piersant D8/381
- D608,183 S * 1/2010 Meyer et al. D8/354

* cited by examiner

Primary Examiner — Celia A. Murphy
Assistant Examiner — John Windmuller
 (74) *Attorney, Agent, or Firm* — Renner, Kenner, Geive,
 Bobak, Taylor & Weber

(57) **CLAIM**
 The ornamental design for a bracket for an antenna mast, as
 shown and described.

DESCRIPTION

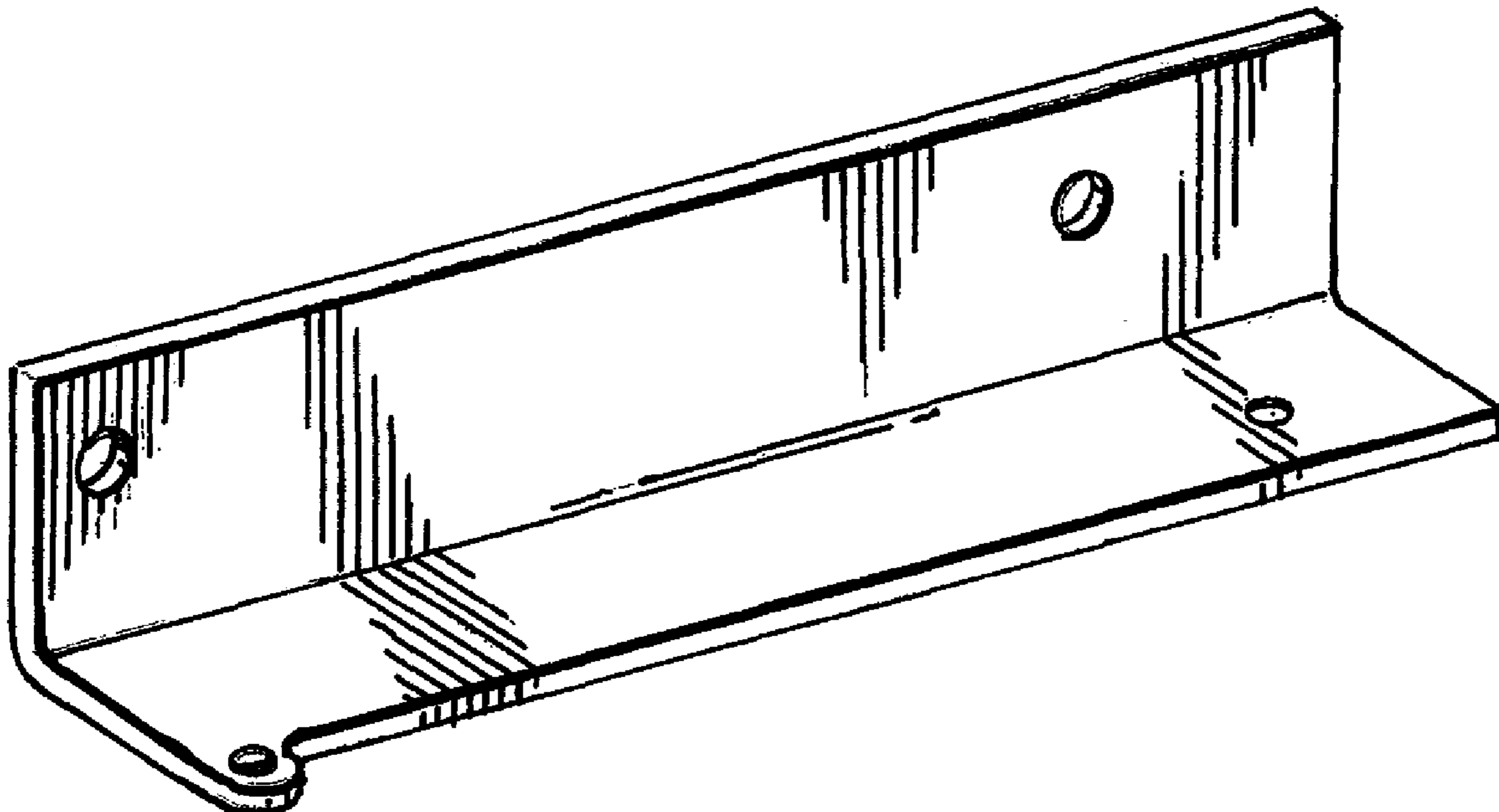
FIG. 1 is a top, front, left side perspective view of a bracket for
 an antenna mast showing my new design;
 FIG. 2 is a top plan view thereof;
 FIG. 3 is a bottom plan view thereof;
 FIG. 4 is a front elevational view thereof;
 FIG. 5 is a rear elevational view thereof;
 FIG. 6 is a left side elevational view thereof; and,
 FIG. 7 is a right side elevational view thereof; showing my
 new design.

1 Claim, 2 Drawing Sheets

(56) **References Cited**

U.S. PATENT DOCUMENTS

- D248,274 S * 6/1978 Kingston et al. D8/354
- D337,042 S * 7/1993 Lin et al. D8/349
- 5,240,216 A * 8/1993 Lin et al. 248/300
- D408,716 S * 4/1999 Vesledahl D8/354
- D422,483 S * 4/2000 Shea D8/354
- D431,770 S * 10/2000 Willet D8/354
- D434,304 S * 11/2000 Willett D8/354
- D442,471 S * 5/2001 Willett D8/354
- D500,667 S * 1/2005 Murphy et al. D8/354
- D535,985 S * 1/2007 Sergi D14/238



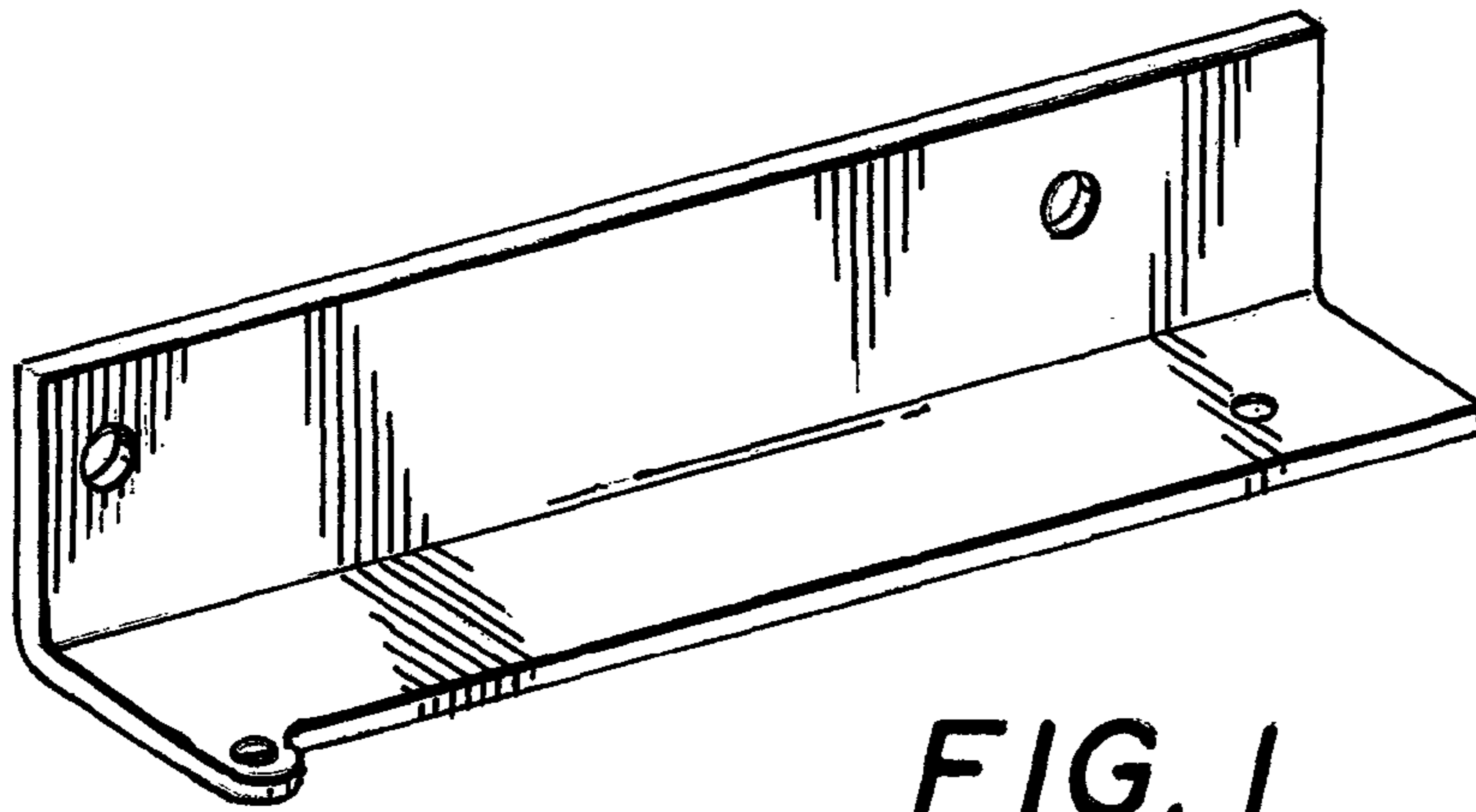


FIG. 1

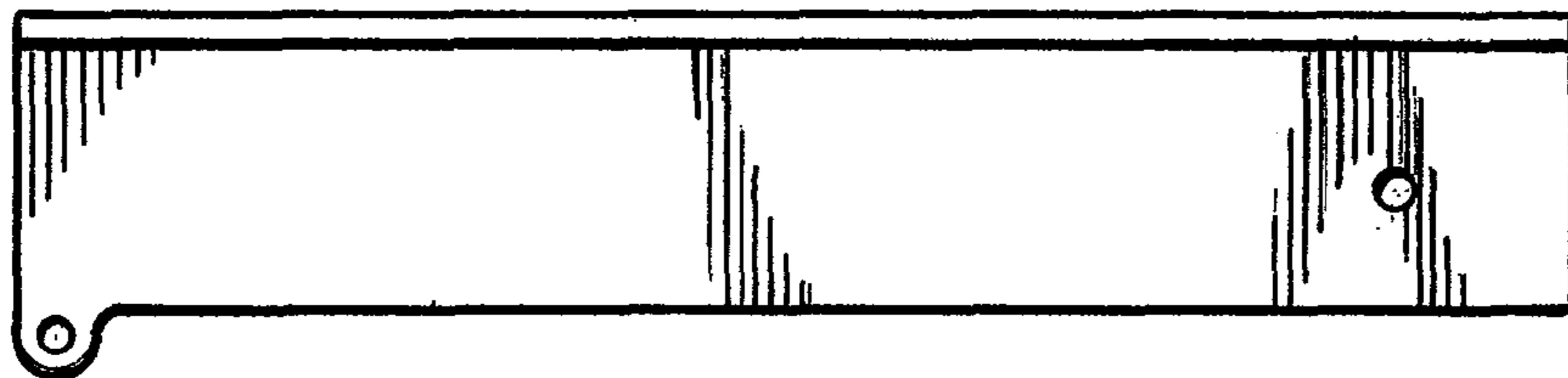


FIG. 2

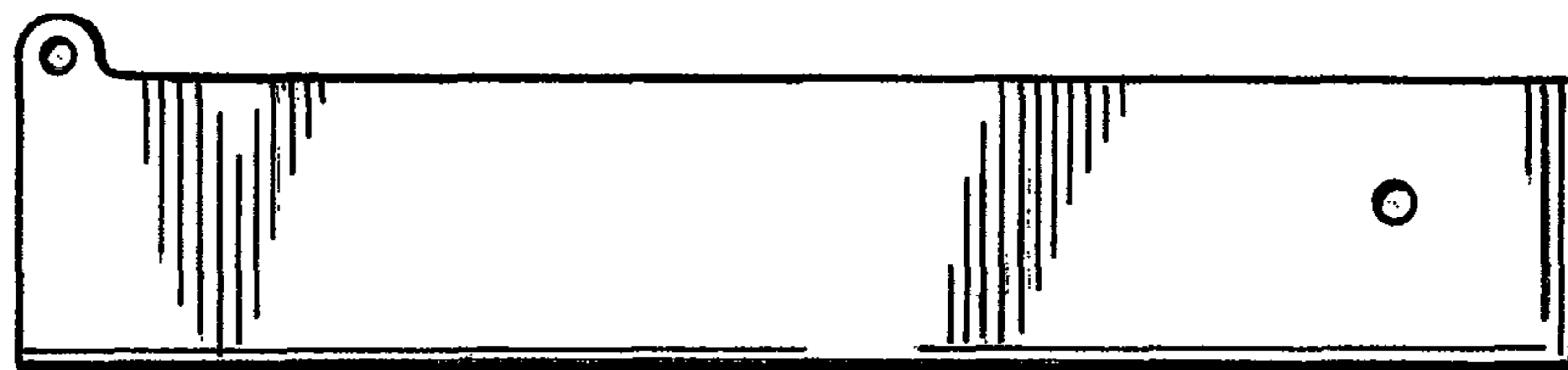


FIG. 3

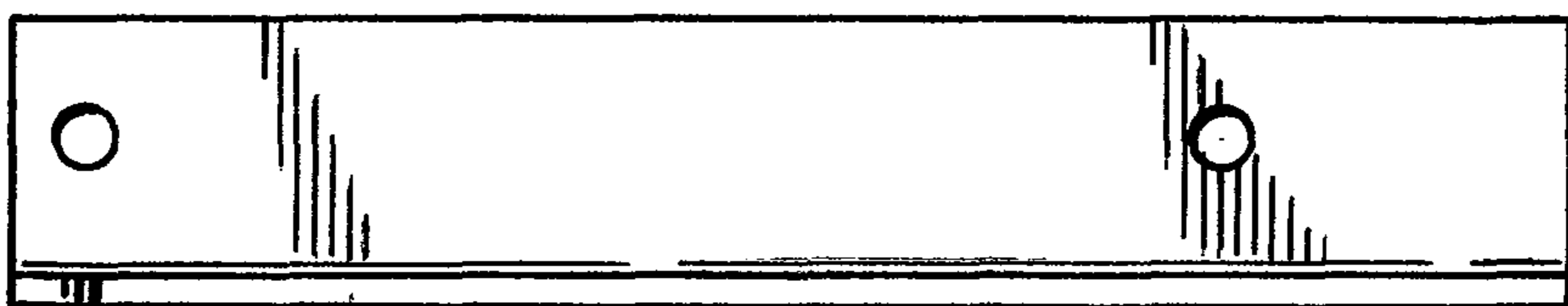


FIG. 4



FIG. 5

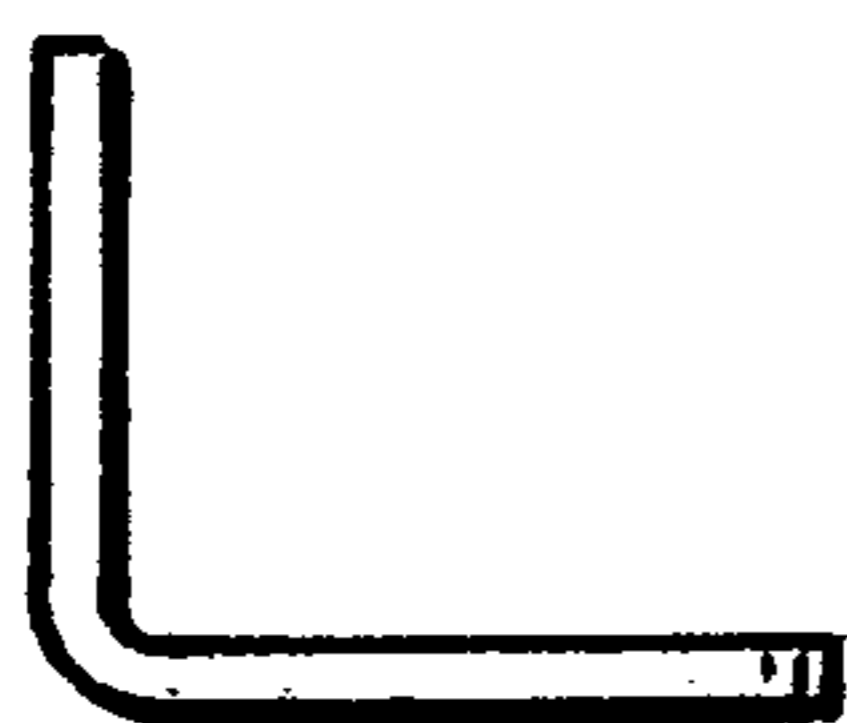


FIG. 6

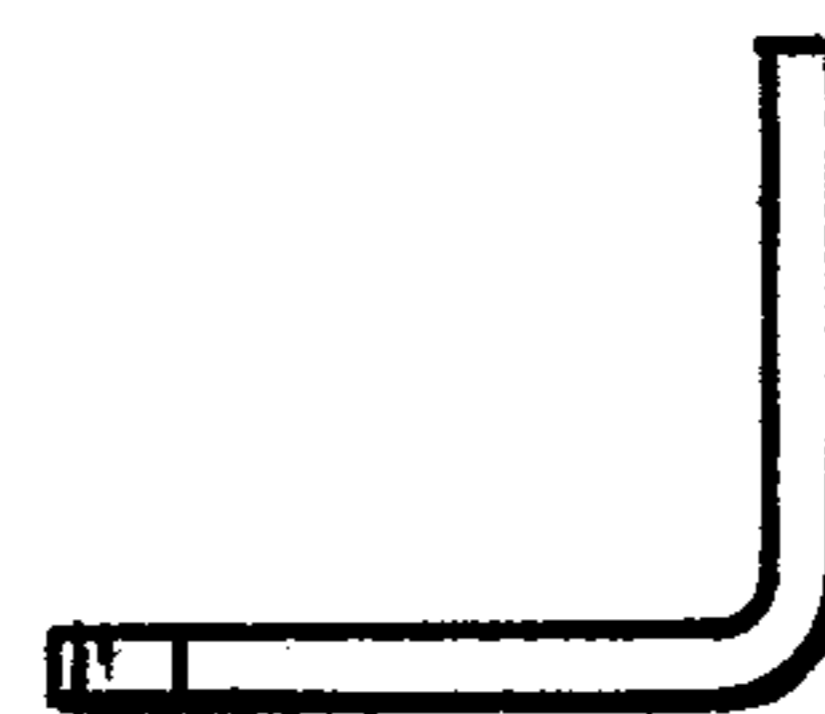


FIG. 7