

US00D654055S

(12) **United States Design Patent**  
**Won et al.**

(10) **Patent No.:** **US D654,055 S**  
(45) **Date of Patent:** **\*\* Feb. 14, 2012**

(54) **TELEVISION RECEIVER REMOTE CONTROLLER**

(75) Inventors: **Hyo Jin Won**, Seoul (KR); **Myung Whoon Lee**, Seoul (KR); **Yoon Kyeong Lee**, Seoul (KR)

(73) Assignee: **LG Electronics Inc.**, Seoul (KR)

(\*\*) Term: **14 Years**

(21) Appl. No.: **29/354,672**

(22) Filed: **Jan. 27, 2010**

(30) **Foreign Application Priority Data**

Jul. 28, 2009 (KR) ..... 30-2009-0033582

(51) **LOC (9) Cl.** ..... **14-03**

(52) **U.S. Cl.** ..... **D14/218**

(58) **Field of Classification Search** ..... D14/218,  
D14/455; D13/168; D21/566; D10/104,  
D10/106; 345/169; 348/14.05, 114, 211.99,  
348/734; 340/825.24; 341/22; 455/92, 95,  
455/128, 151.1-151.4, 352, 355, FOR. 121;  
700/65

See application file for complete search history.

(56) **References Cited**

**U.S. PATENT DOCUMENTS**

D515,041 S \* 2/2006 Yun et al. .... D13/168  
D520,495 S \* 5/2006 Dukerschein et al. .... D14/218  
D532,779 S \* 11/2006 Kim et al. .... D14/218  
D534,900 S \* 1/2007 Weitgasser et al. .... D14/218

D546,800 S \* 7/2007 Lee ..... D14/138 AA  
D559,231 S \* 1/2008 Krzyzanowski et al. .... D14/218  
D568,299 S \* 5/2008 Tuli ..... D14/218  
D602,474 S \* 10/2009 Hansen et al. .... D14/218  
D606,982 S \* 12/2009 Kaneko ..... D14/218  
D607,846 S \* 1/2010 Daniels ..... D13/168  
D609,222 S \* 2/2010 Shin ..... D14/218  
D626,531 S \* 11/2010 Farmer et al. .... D14/218  
D630,188 S \* 1/2011 Daniels ..... D14/218  
D634,734 S \* 3/2011 Cho ..... D14/218  
D636,761 S \* 4/2011 Hansen et al. .... D14/218  
D639,278 S \* 6/2011 Chai et al. .... D14/218  
D641,734 S \* 7/2011 Chou et al. .... D14/218

\* cited by examiner

*Primary Examiner* — Celila A. Murphy

*Assistant Examiner* — John Windmuller

(74) *Attorney, Agent, or Firm* — Birch, Stewart, Kolasch & Birch, LLP

(57) **CLAIM**

We claim the ornamental design for a television receiver remote controller, as shown and described.

**DESCRIPTION**

FIG. 1 is a perspective view of a television receiver remote controller showing our new design;

FIG. 2 is a front elevation view thereof;

FIG. 3 is a rear elevation view thereof;

FIG. 4 is a left-side elevation view thereof;

FIG. 5 is a right-side elevation view thereof;

FIG. 6 is a top plan view thereof; and,

FIG. 7 is a bottom plan view thereof.

**1 Claim, 4 Drawing Sheets**

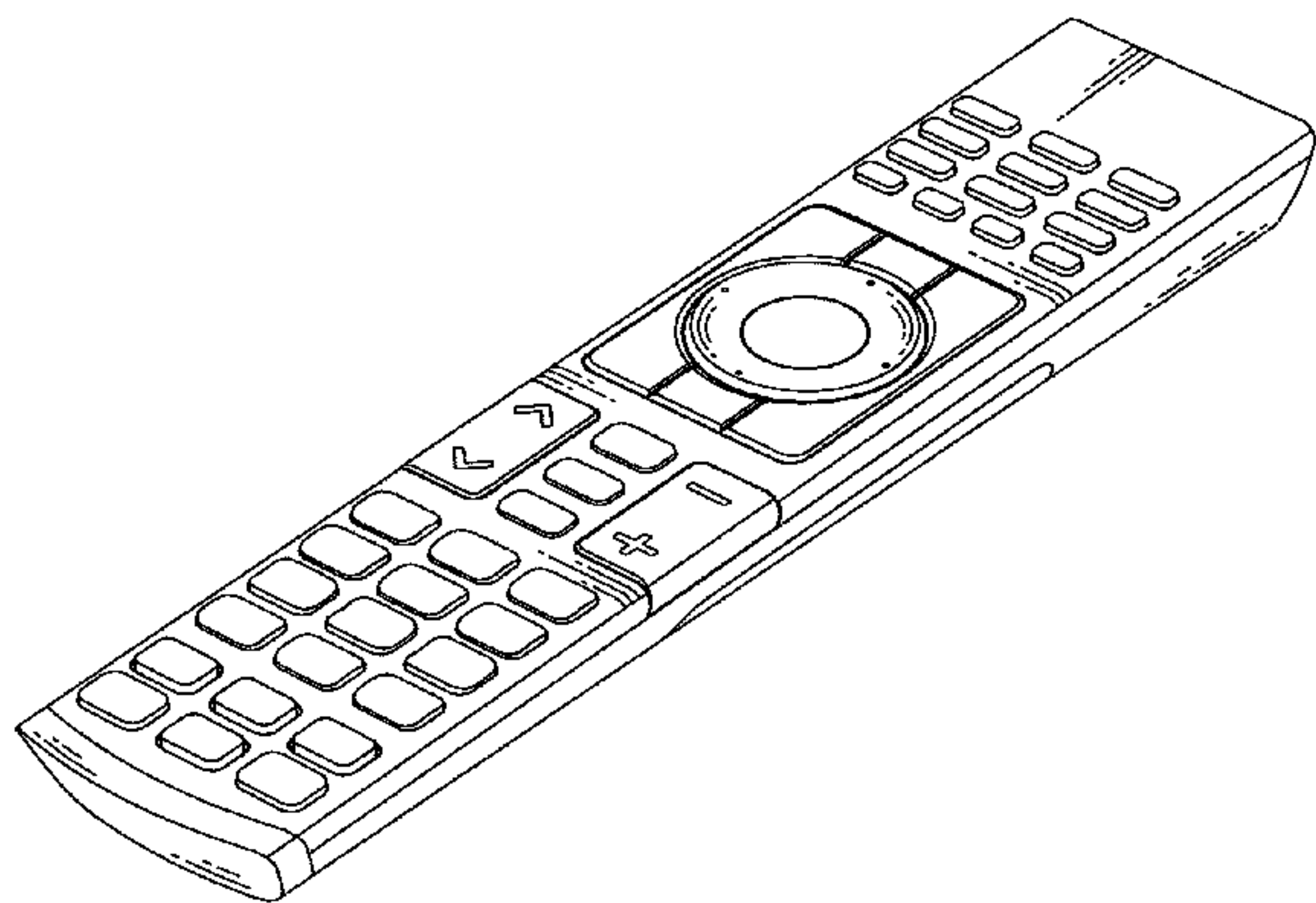


FIG. 1

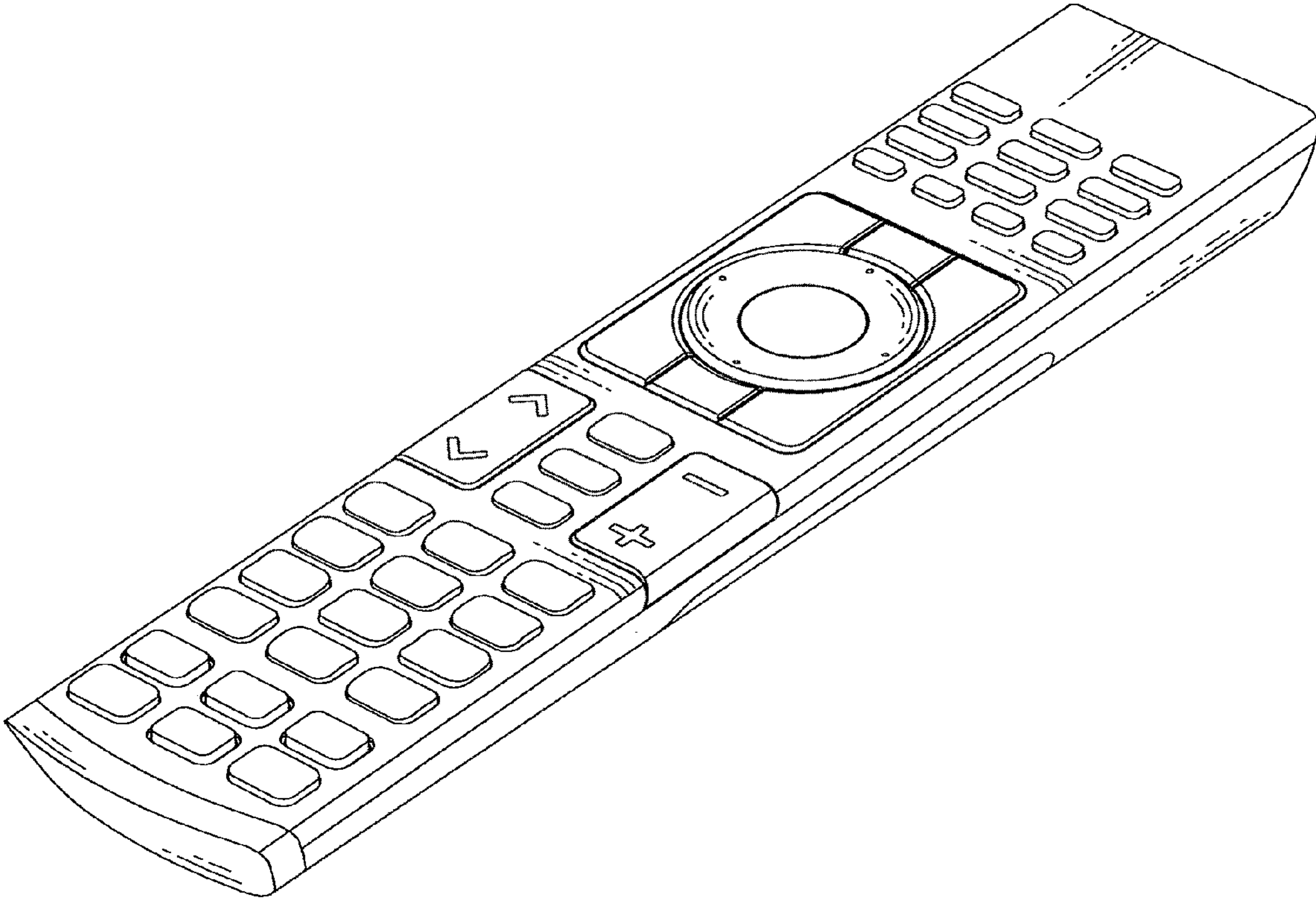


FIG. 2

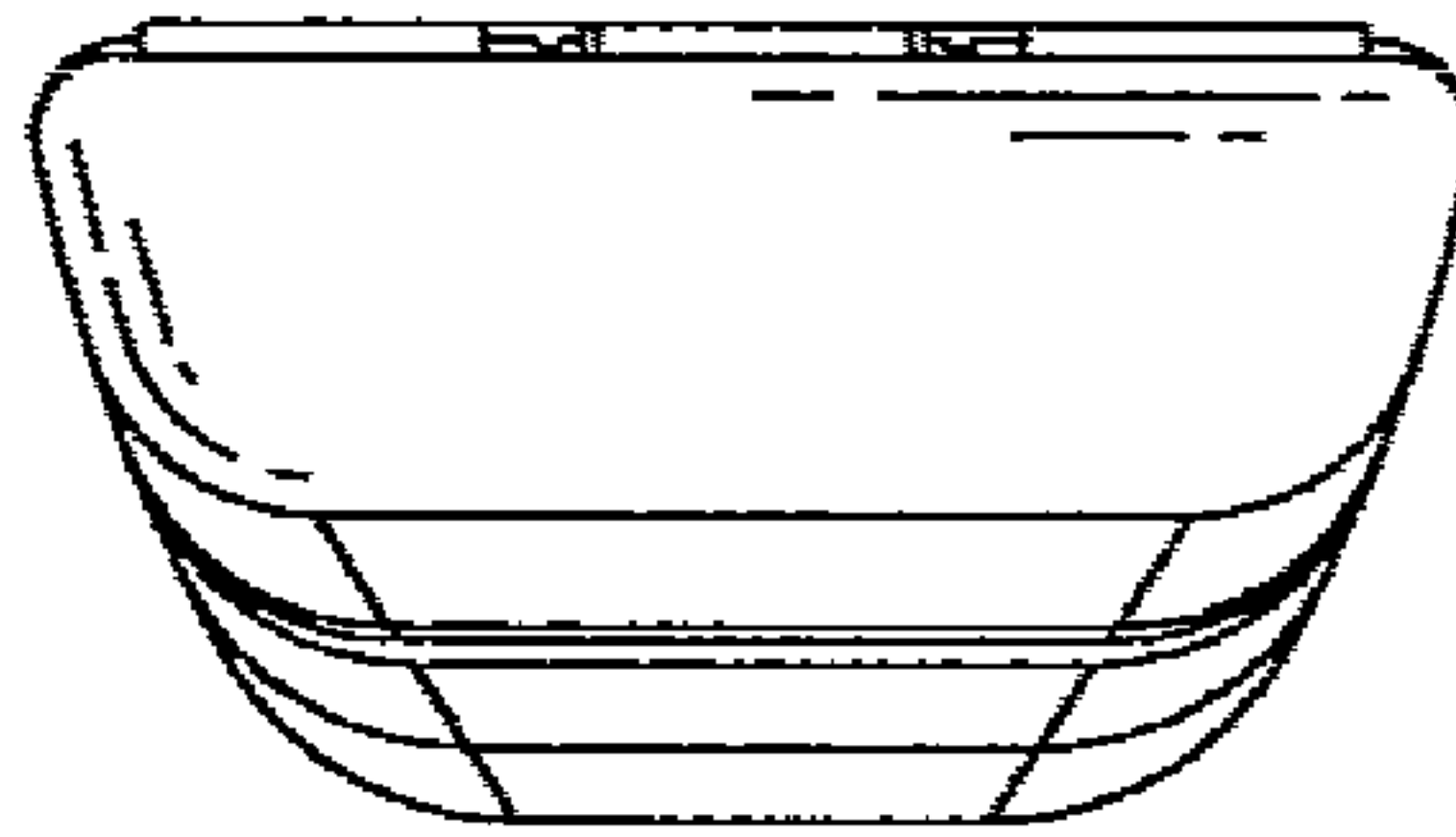


FIG. 3

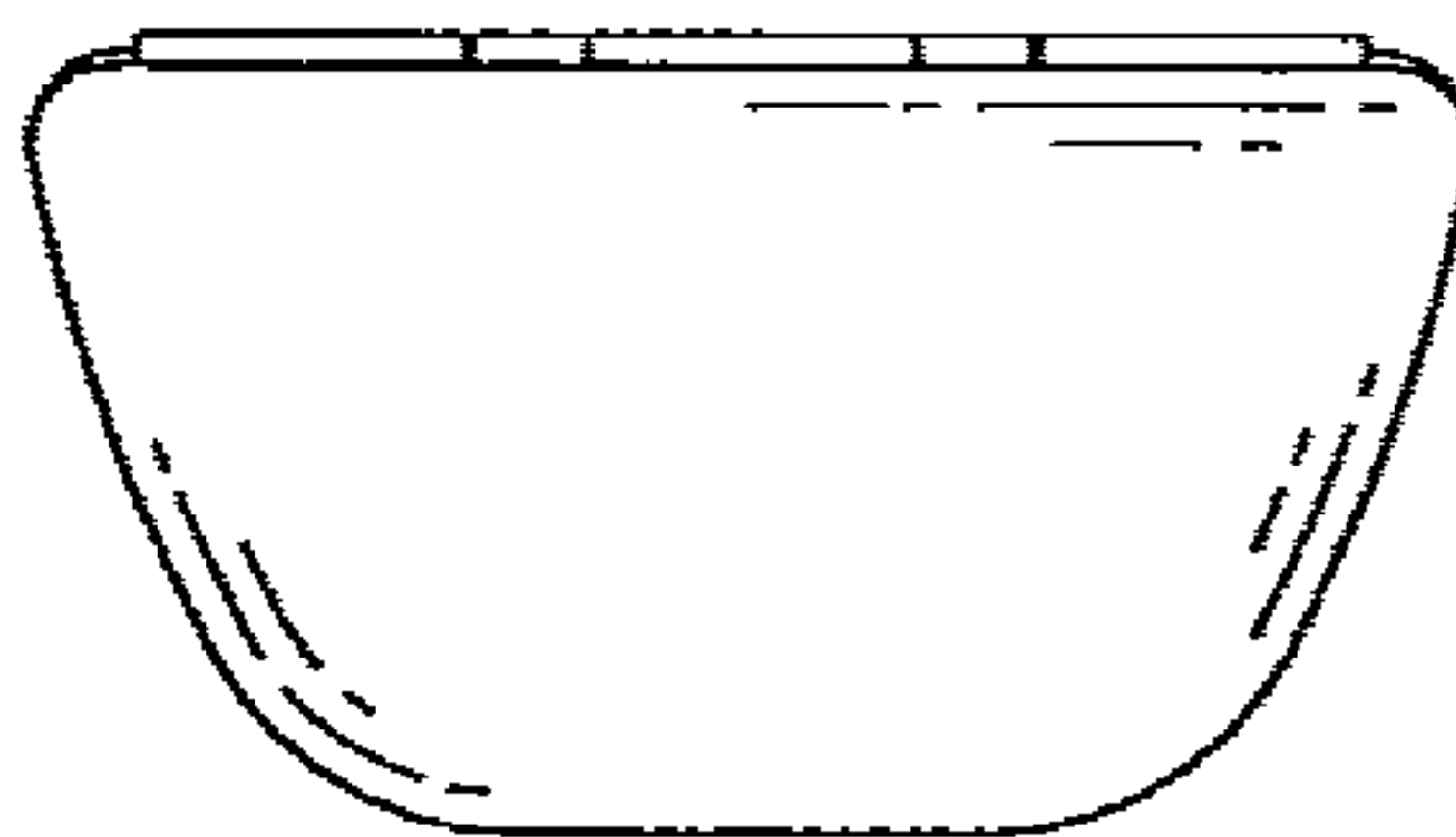


FIG. 4

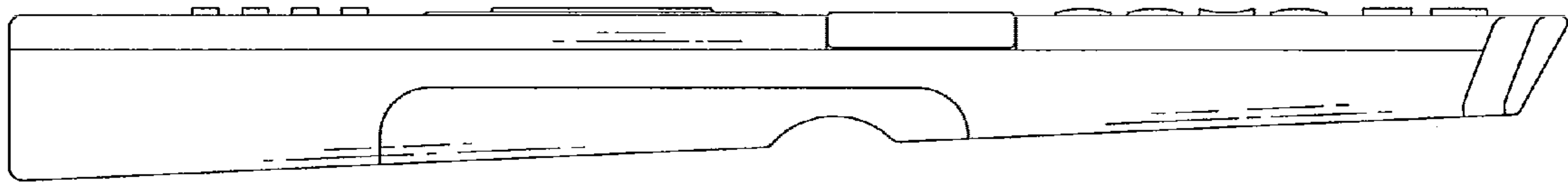


FIG. 5

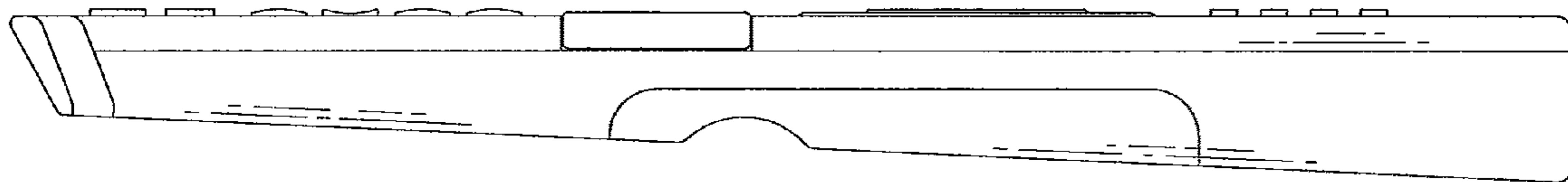


FIG. 6

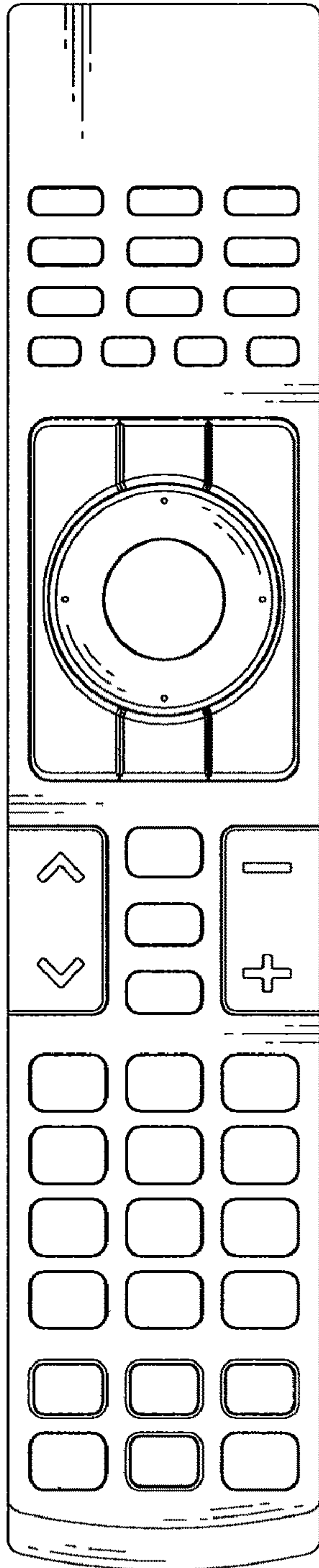


FIG. 7

