



US00D654054S

(12) **United States Design Patent**
Kohte et al.

(10) **Patent No.:** **US D654,054 S**
(45) **Date of Patent:** **** Feb. 14, 2012**

(54) **PORTABLE VIDEO MEDIA DEVICE HOLDER**

(76) Inventors: **Hans H. Kohte**, Danville, CA (US);
Marion R. Kohle, Danville, CA (US)

(**) Term: **14 Years**

(21) Appl. No.: **29/387,173**

(22) Filed: **Mar. 9, 2011**

Related U.S. Application Data

(62) Division of application No. 12/136,691, filed on Jun. 10, 2008, now abandoned.

(51) **LOC (9) Cl.** **14-03**

(52) **U.S. Cl.** **D14/217**; D14/238.1; D14/239;
D14/254

(58) **Field of Classification Search** D14/140,
D14/142, 149, 155, 157, 188, 191–193, 203.1–203.8,
D14/217, 240, 243, 251, 253, 432–435.1,
D14/447, 451, 496, 474, 480.1–480.7; D13/107,
D13/118; D3/218; 248/221.11, 309.1; 320/107,
320/110, 113–115; 361/600; 439/529, 534;
455/556.1–556.2, 557

See application file for complete search history.

(56) **References Cited**

U.S. PATENT DOCUMENTS

2,481,271	A *	9/1949	Willey	379/455
2,784,261	A *	3/1957	Anklesaria	379/455
5,988,572	A *	11/1999	Chivallier et al.	248/176.1
D438,318	S *	2/2001	Lo	D26/60
D498,322	S *	11/2004	Schnell	D26/60
D522,843	S *	6/2006	Richter	D8/363
D529,651	S *	10/2006	Chan	D26/60
D544,124	S *	6/2007	Chan	D26/60

D564,220	S *	3/2008	Dixon	D3/218
D581,344	S *	11/2008	Richter	D12/415
D592,188	S *	5/2009	Huang	D14/217
D602,913	S *	10/2009	Han et al.	D14/217
D614,613	S *	4/2010	Kim et al.	D14/253
D626,541	S *	11/2010	Kim et al.	D14/253
D634,315	S *	3/2011	Nousiainen	D14/253
D636,917	S *	4/2011	Nelson et al.	D26/60

OTHER PUBLICATIONS

iLounge.com, LC Angell, “iSnake hands-free iPod holder announced”, <http://www.ilounge.com/index.php/news/comments/isnakes-hands-free-ipod-holder-announced/>, dated Nov. 14, 2006, accessed Oct. 18, 2011, 1p.*

(Continued)

Primary Examiner — Stella Reid

Assistant Examiner — Keli L Hill

(74) *Attorney, Agent, or Firm* — Jones Waldo Holbrook & McDonough

(57) **CLAIM**

The ornamental design for a portable video media device holder, as shown and described.

DESCRIPTION

FIG. 1 is a front perspective view of the presently claimed design.

FIG. 2 is a side view of the presently claimed design.

FIG. 3 is an opposite side view of the presently claimed design.

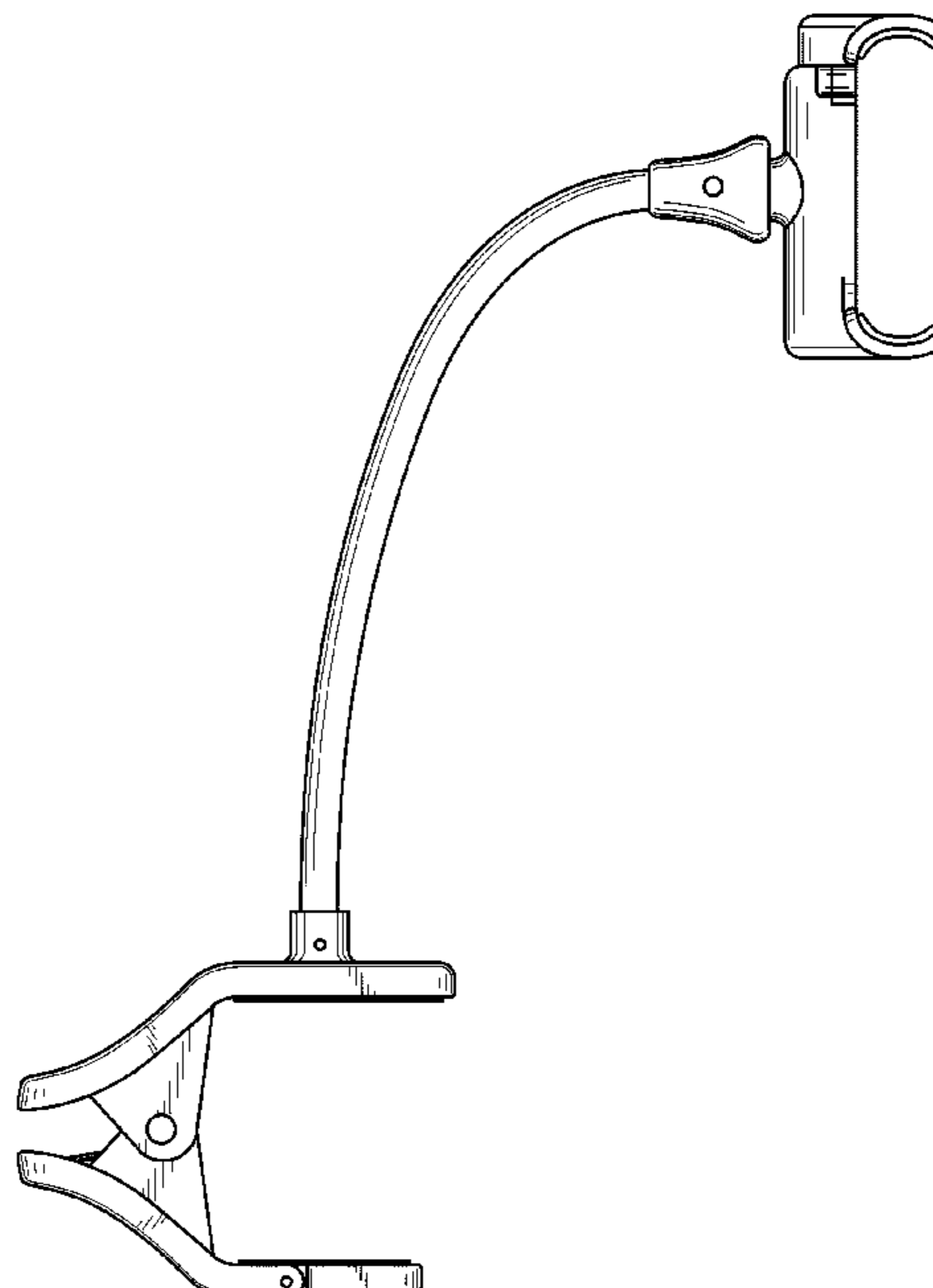
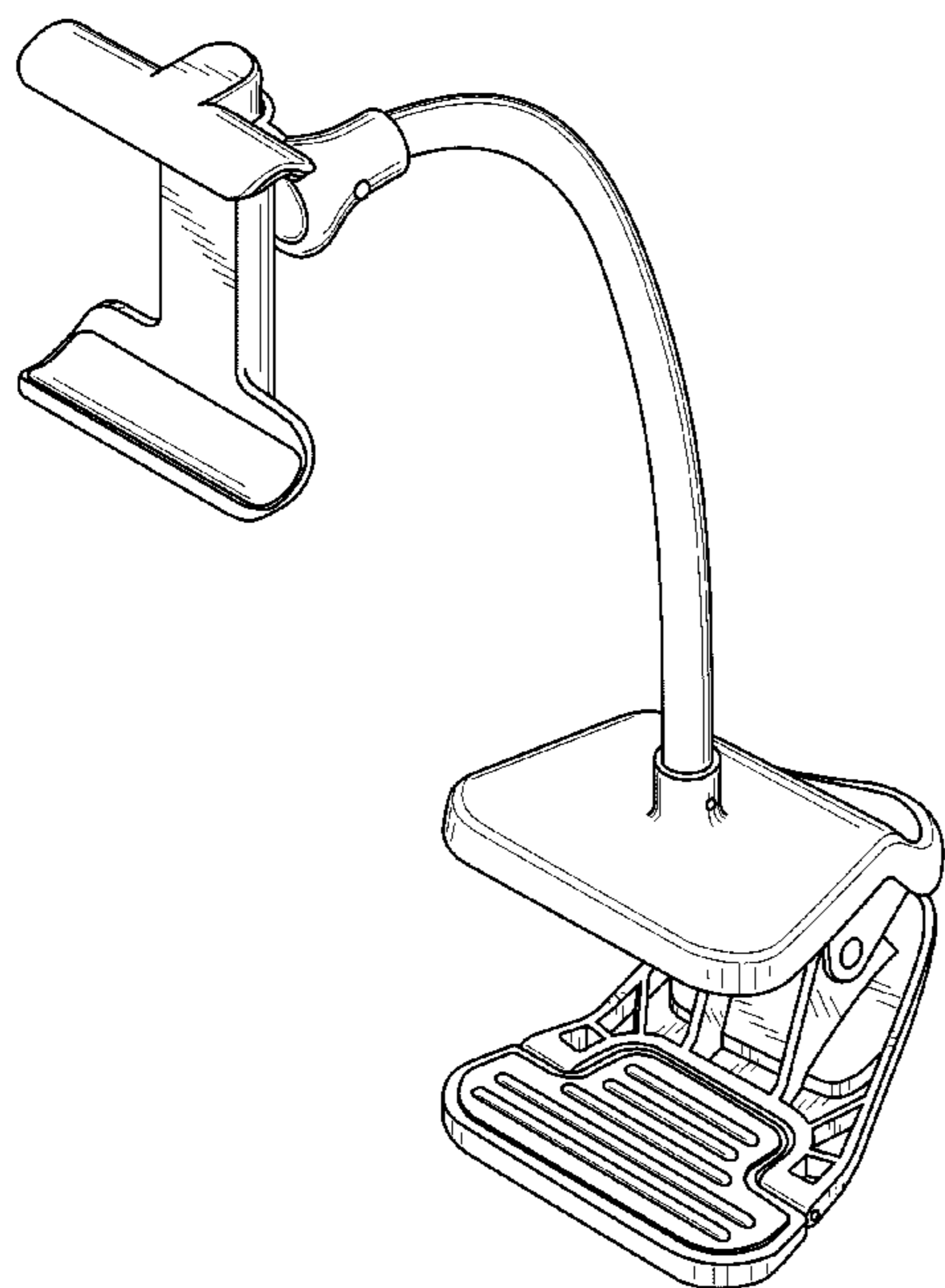
FIG. 4 is a front view of the presently claimed design.

FIG. 5 is a rear view of the presently claimed design.

FIG. 6 is a top view of the presently claimed design; and,

FIG. 7 is a bottom view of the presently claimed design.

1 Claim, 5 Drawing Sheets



OTHER PUBLICATIONS

The Gadgeteer.com, Mark Adkins, "iLevel Device Holder Review", <http://the-gadgeteer.com/2010/07/23/ilevel-device-holder-review>, dated Jul. 23, 2010, accessed Oct. 18, 2011, 3p.*
MacLife.com—"In Your Face Viewbase", "http://www.maclife.com/article/reviews/your_face_viewbase", dated Nov. 12, 2009, accessed Dec. 9, 2011, 1 p.*

TheGadgeteer.com; Rees,Dave; "In Your Face iPhone/Touch Stand Review", "<http://thegadgeteer.com/2009/11/18/in-your-face-iphonetouch-stand-review/>", dated Nov. 18, 2009, accessed Dec. 9, 2011, 1p.*

* cited by examiner

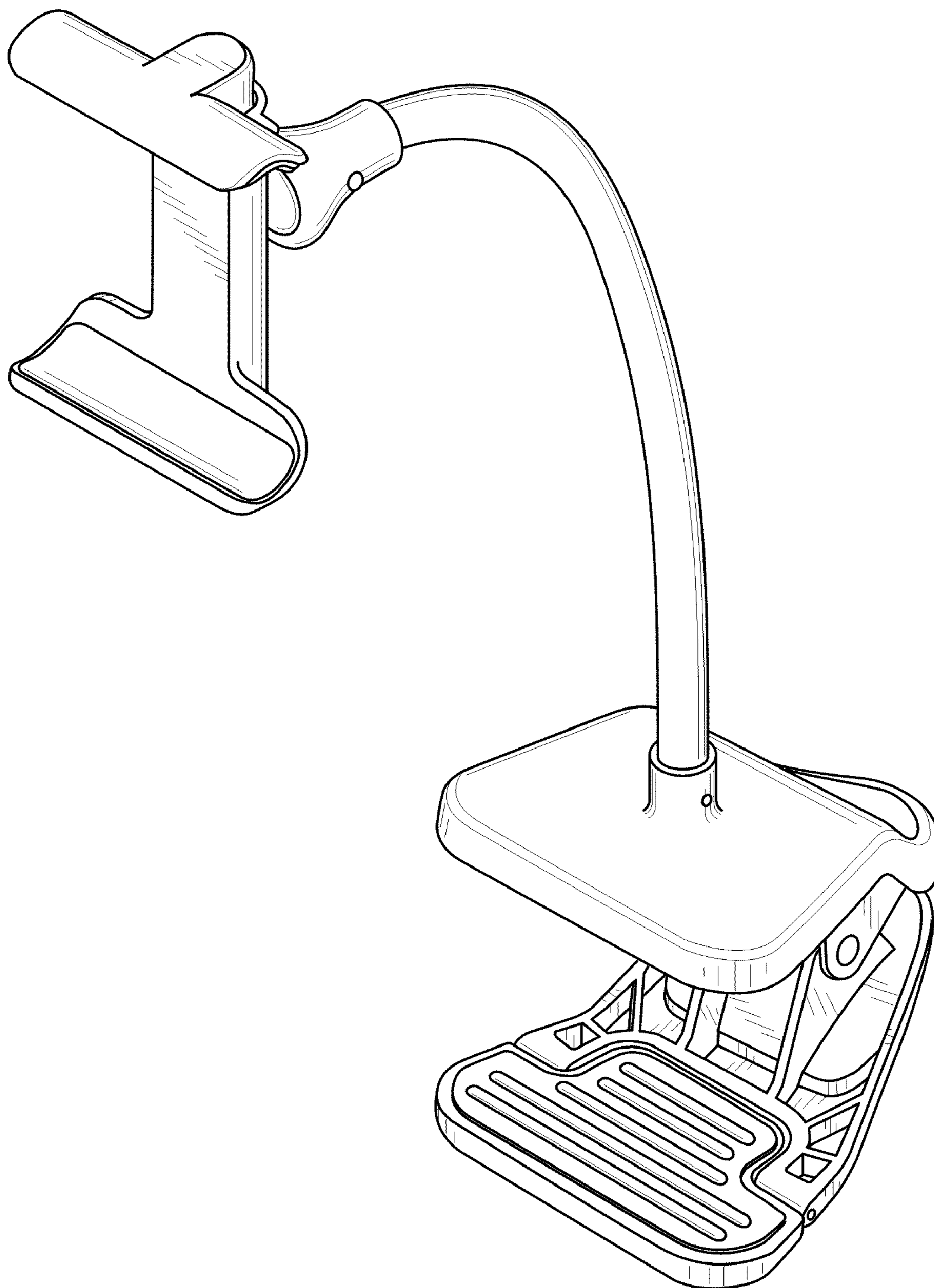


FIG. 1

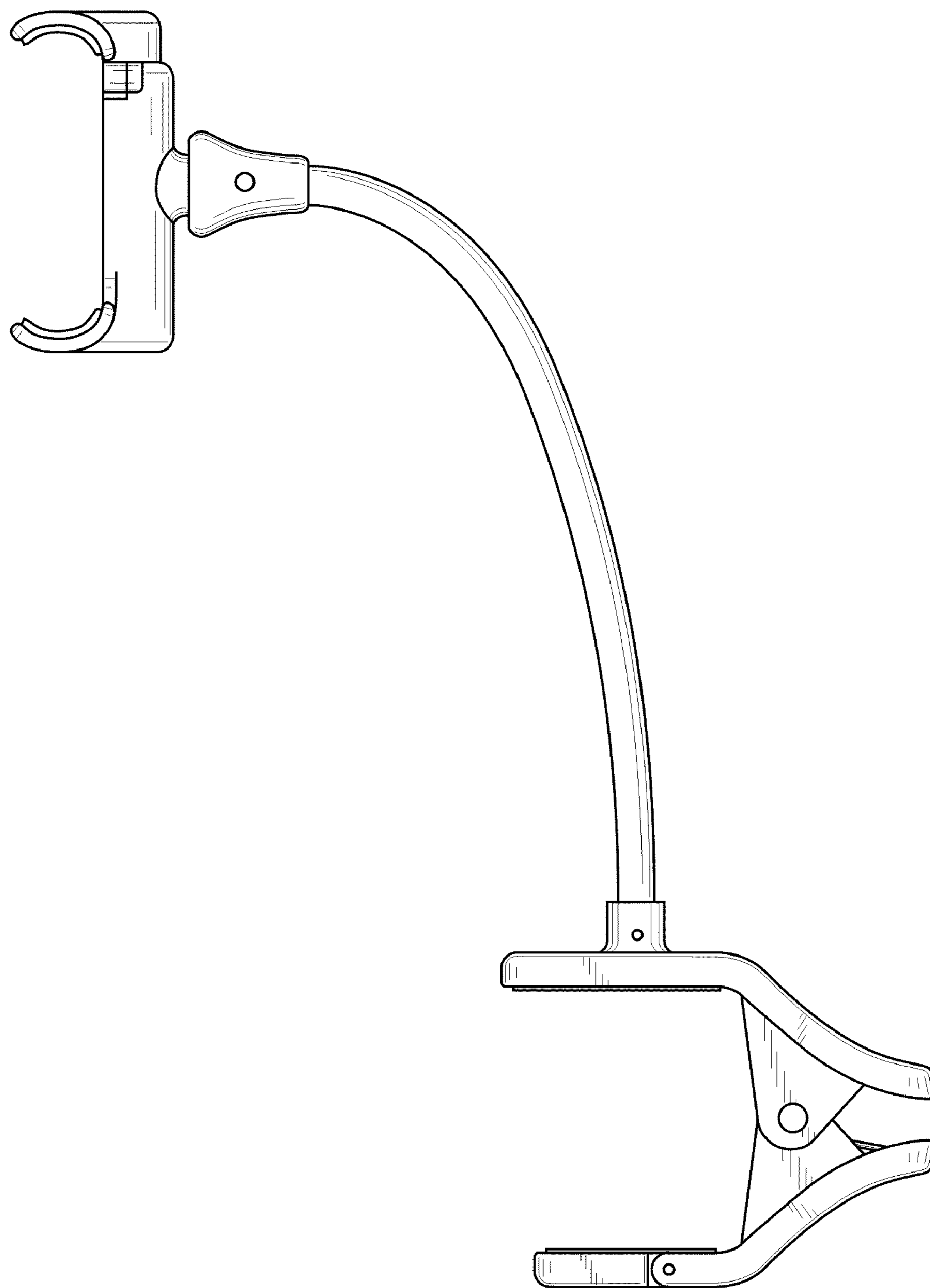


FIG. 2

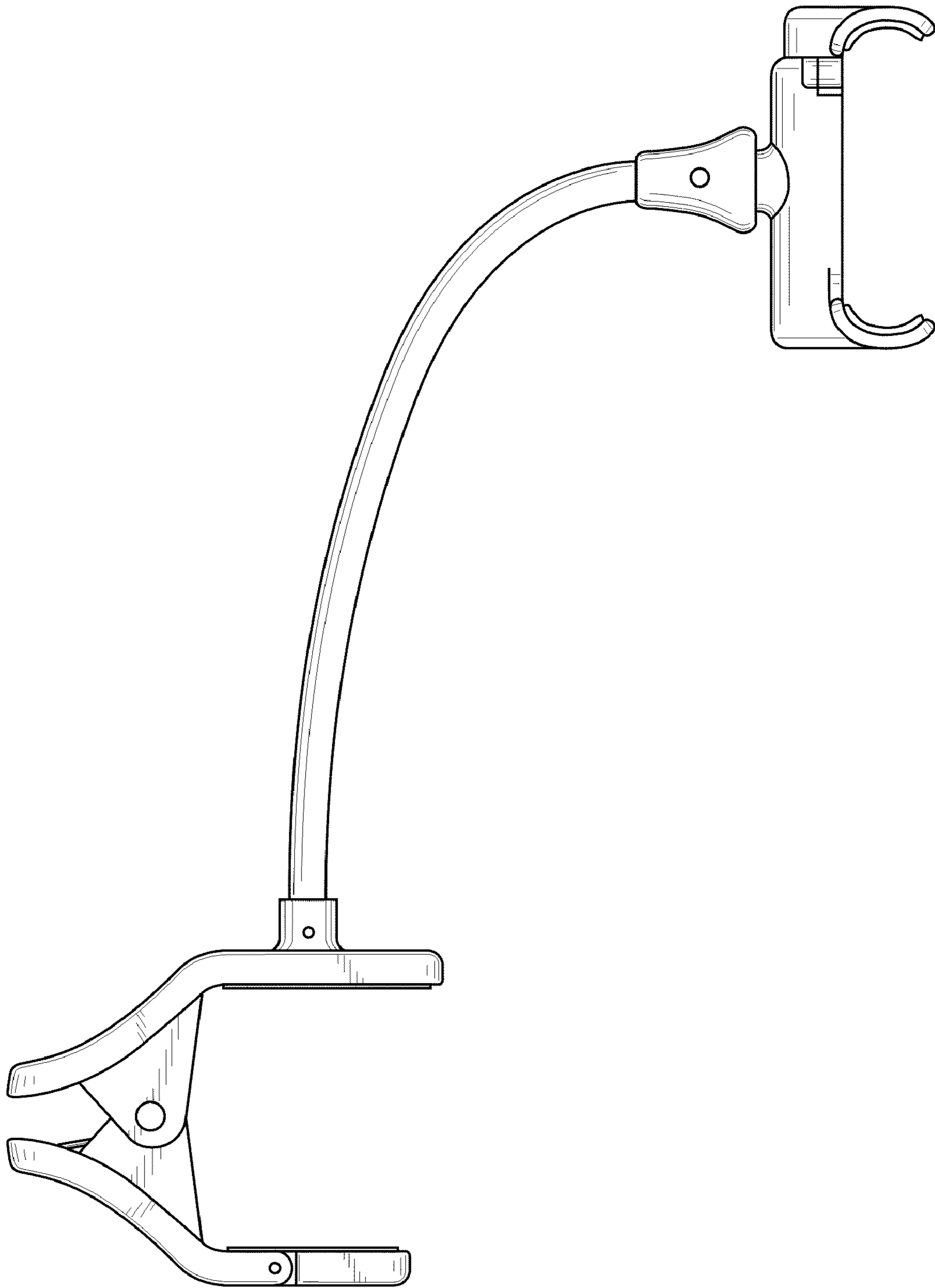


FIG. 3

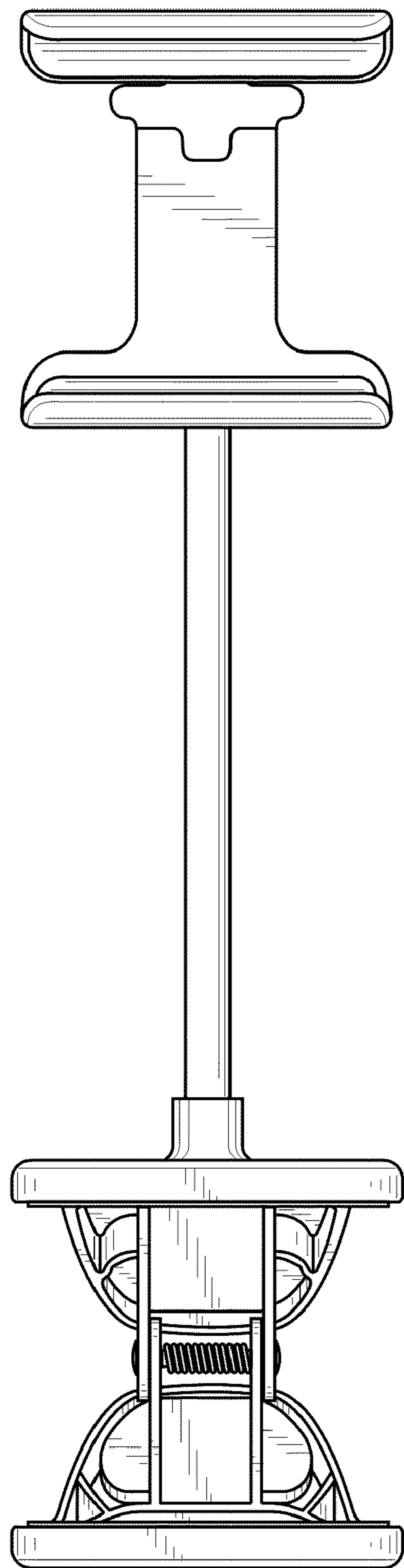


FIG. 4

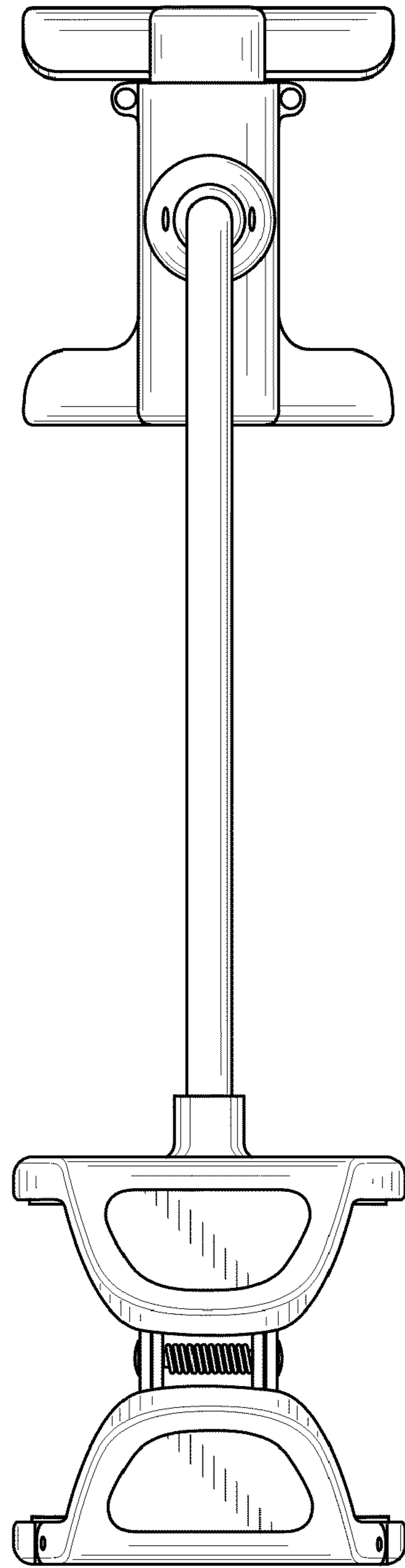


FIG. 5

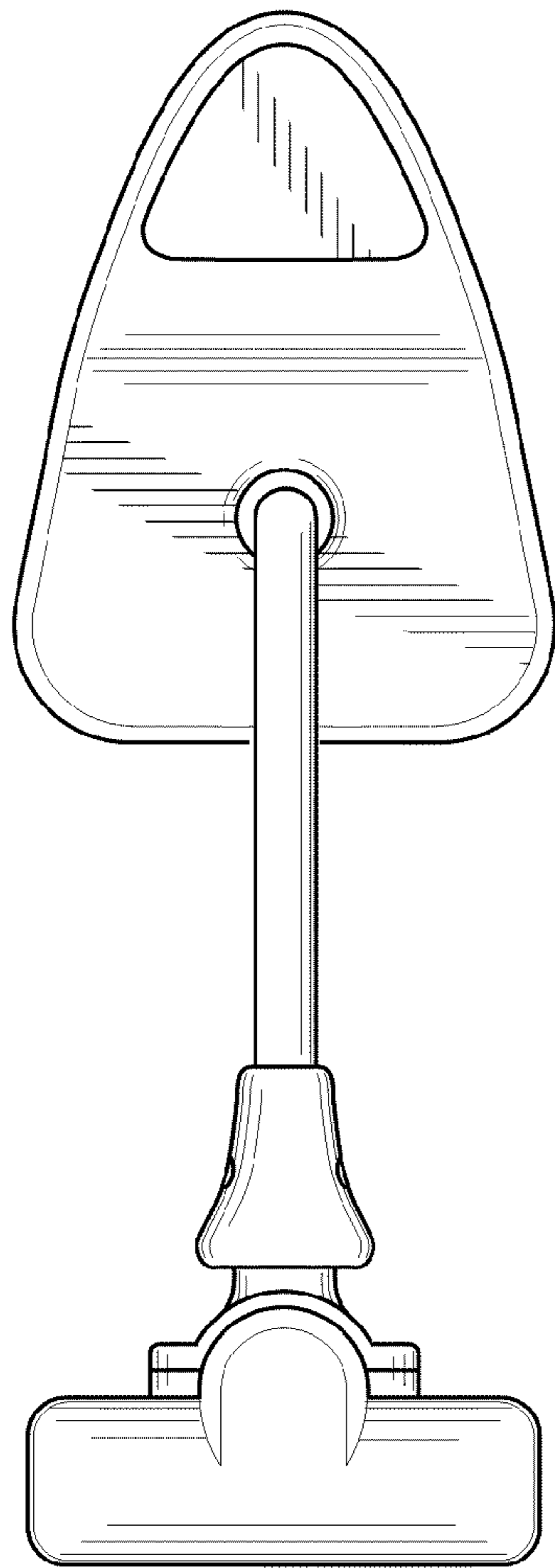


FIG. 6

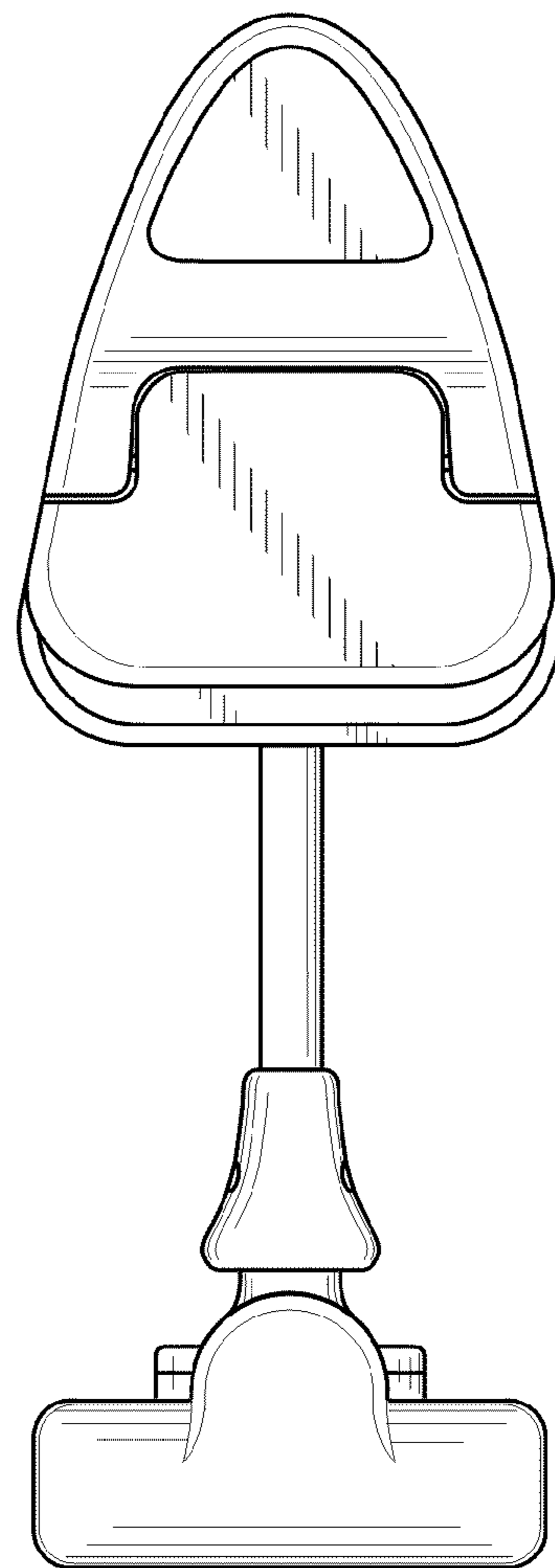


FIG. 7