



US00D654050S

(12) **United States Design Patent**
Duan et al.

(10) **Patent No.:** **US D654,050 S**

(45) **Date of Patent:** **** Feb. 14, 2012**

(54) **MOBILE PHONE**

(75) Inventors: **Chao Duan**, Shenzhen (CN); **Chia-Hua Chen**, Shindian (TW)

(73) Assignee: **FIH (Hong Kong) Limited**, Kowloon (HK)

(**) Term: **14 Years**

(21) Appl. No.: **29/402,830**

(22) Filed: **Sep. 28, 2011**

(51) **LOC (9) Cl.** **14-03**

(52) **U.S. Cl.** **D14/138 AB; D14/138 G**

(58) **Field of Classification Search** D14/138 AD, D14/138 G, 138 R, 138 AC, 496, 341, 345, D14/346, 203.7, 203.4, 203.3, 203.1, 248, D14/218, 138 AB, 191; 455/575.1, 556.2, 455/556.1, 575.4, 566, 575.3; D10/65; 379/433.01, 379/433.04, 433.11, 433.12, 433.13; D21/329-331, D21/517

See application file for complete search history.

(56) **References Cited**

U.S. PATENT DOCUMENTS

D297,734 S *	9/1988	Soren et al.	D14/147
D326,091 S *	5/1992	Kikuchi	D14/138 G
D379,810 S *	6/1997	Giordano et al.	D14/138 R
D383,127 S *	9/1997	Giordano et al.	D14/138 R
D460,058 S *	7/2002	Suzuki et al.	D14/138 AB
7,085,596 B2 *	8/2006	Yu et al.	455/575.1

(Continued)

OTHER PUBLICATIONS

Samsung Galaxy S WiFi 5.0 telephone, announced Feb. 2011, [online], [site visited Dec. 16, 2011]. Available from Internet, <URL: <http://www.gsmarena.com>>.*

(Continued)

Primary Examiner — Jeffrey D Asch

(74) *Attorney, Agent, or Firm* — Altis Law Group, Inc.

(57) **CLAIM**

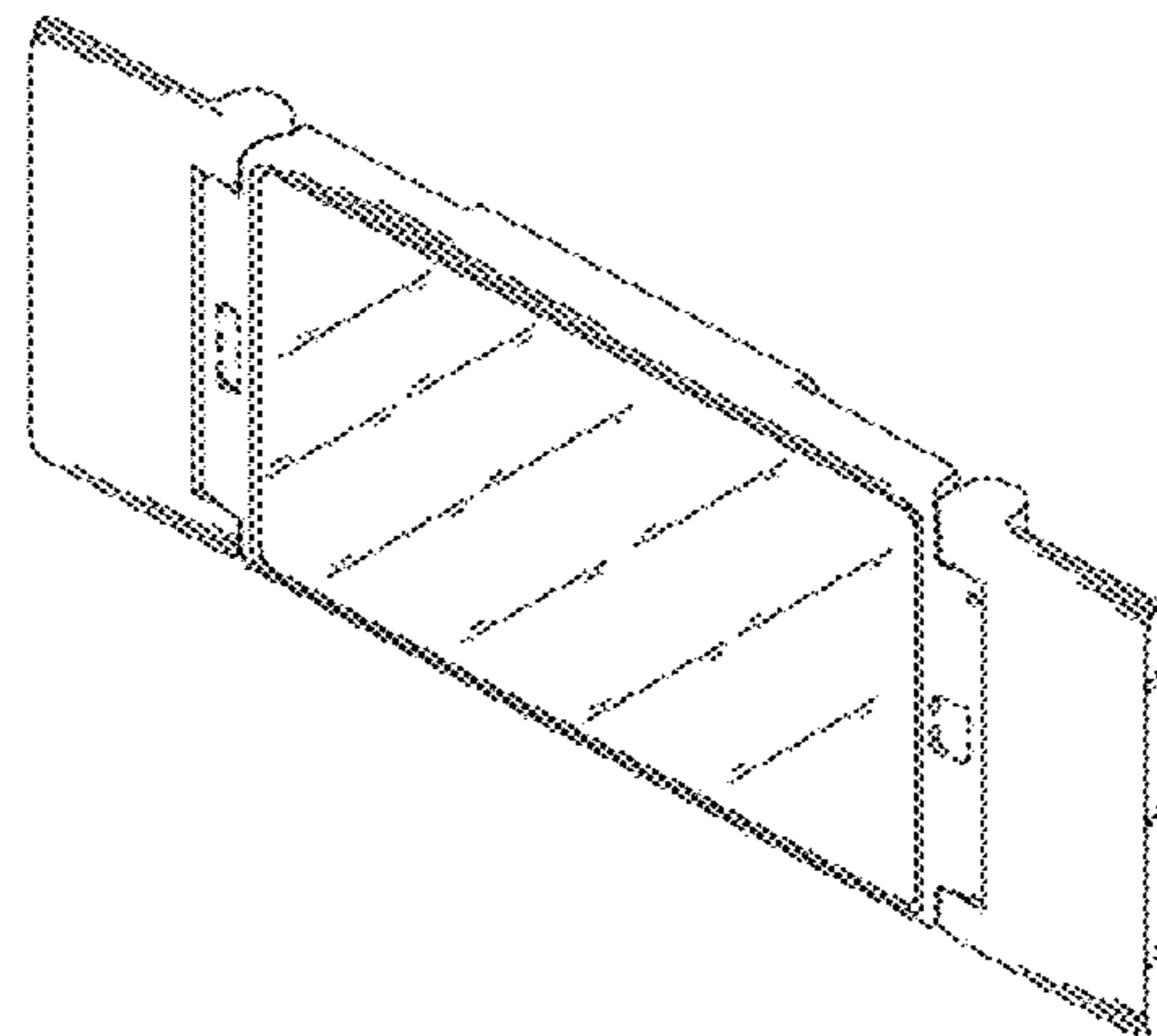
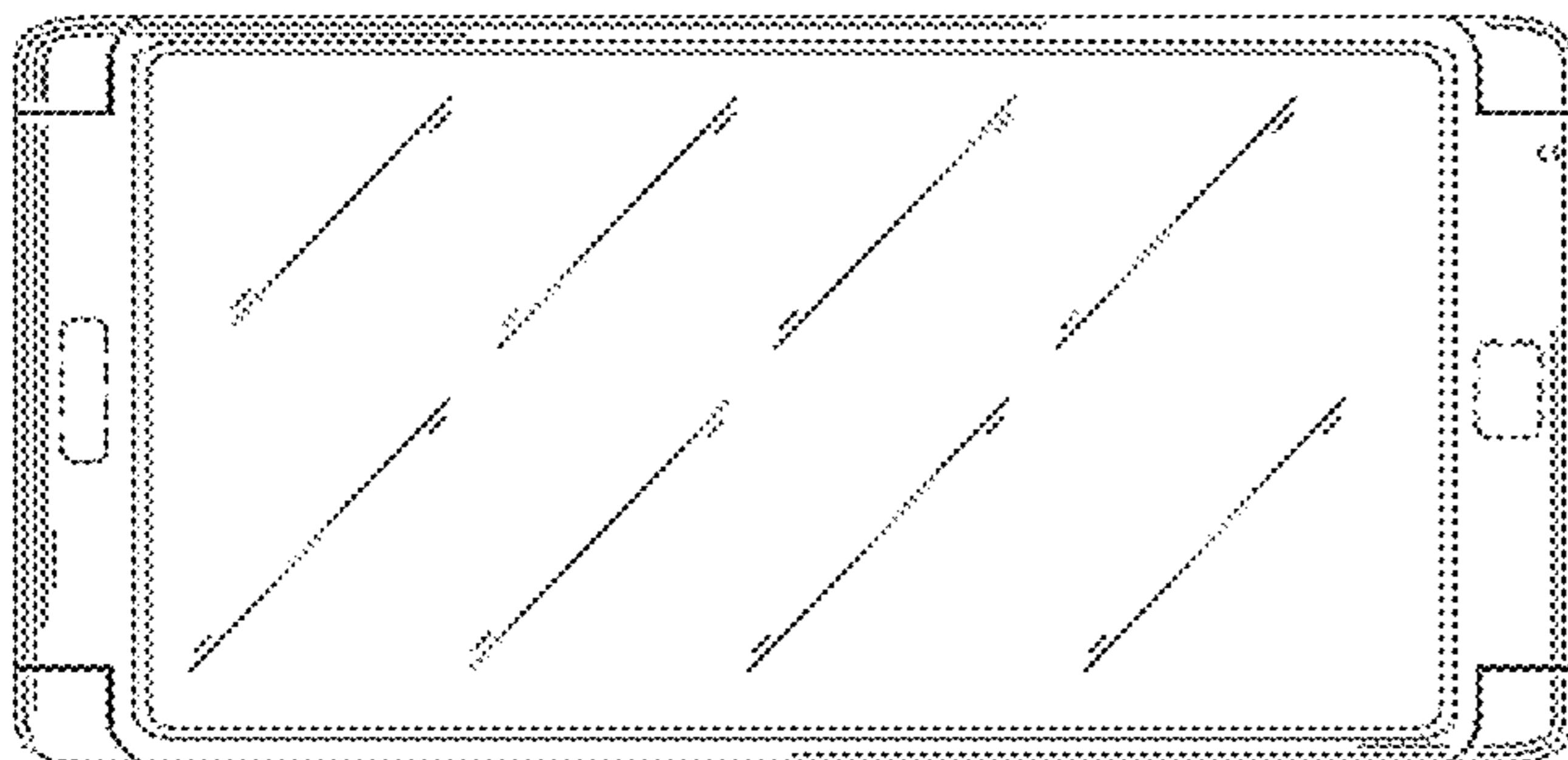
The ornamental design for a mobile phone, as shown and described.

DESCRIPTION

FIG. 1 is a perspective view of a Mobile Phone showing our new design and in a first configuration;
 FIG. 2 is a front elevational view of the new design and in the first configuration;
 FIG. 3 is a rear elevational view of the new design and in the first configuration;
 FIG. 4 is a right side elevational view of the new design and in the first configuration;
 FIG. 5 is a left side elevational view of the new design and in the first configuration;
 FIG. 6 is a top plan view of the new design and in the first configuration;
 FIG. 7 is a bottom plan view of the new design and in the first configuration;
 FIG. 8 is a perspective view of the mobile phone of FIG. 1 in a second configuration;
 FIG. 9 is a front elevational view of the new design and in the second configuration;
 FIG. 10 is a rear elevational view of the new design and in the second configuration;
 FIG. 11 is a right side elevational view of the new design and in the second configuration;
 FIG. 12 is a left side elevational view of the new design and in the second configuration;
 FIG. 13 is a top plan view of the new design and in the second configuration; and,
 FIG. 14 is a bottom plan view of the new design and in the second configuration.

The broken lines shown throughout the views, which are immediately adjacent to the shaded areas and define unshaded regions, represent the bounds of the claimed design, while all other broken lines are directed to environment and are for illustrative purposes only; the broken lines form no part of the claimed design.

1 Claim, 14 Drawing Sheets



U.S. PATENT DOCUMENTS

7,283,847 B2 * 10/2007 Kim 455/566
 D554,610 S * 11/2007 Kim et al. D14/138 AB
 D567,819 S * 4/2008 Devericks et al. D14/496
 D583,810 S * 12/2008 Chen D14/345
 D597,092 S * 7/2009 Wang et al. D14/346
 D615,059 S * 5/2010 Price et al. D14/138 G
 D619,989 S * 7/2010 Huang D14/138 G
 D619,990 S * 7/2010 Lai D14/138 G
 7,831,286 B2 * 11/2010 Cho et al. 455/575.4
 D630,607 S * 1/2011 Li D14/138 AB
 7,872,861 B2 * 1/2011 Ou et al. 361/679.27
 D633,888 S * 3/2011 Eguchi D14/138 AD
 D641,724 S * 7/2011 Roka D14/138 AD
 D645,437 S * 9/2011 Tzeng D14/138 AD
 D646,255 S * 10/2011 Kim D14/138 G
 D646,661 S * 10/2011 Kim D14/138 AD
 8,032,193 B2 * 10/2011 Xin et al. 455/575.4
 D650,351 S * 12/2011 Tsai et al. D14/138 G
 D650,352 S * 12/2011 Cho D14/138 G
 2006/0056141 A1 * 3/2006 Pihlaja et al. 361/683
 2009/0170566 A1 * 7/2009 Kwon et al. 455/566
 2010/0079938 A1 * 4/2010 Paschke et al. 361/679.14
 2011/0021251 A1 * 1/2011 Linden 455/566
 2011/0059771 A1 * 3/2011 Kondo 455/556.2
 2011/0117971 A1 * 5/2011 Kim et al. 455/566
 2011/0143815 A1 * 6/2011 Inami 455/566
 2011/0171934 A1 * 7/2011 Lim et al. 455/412.1
 2011/0294555 A1 * 12/2011 Haponen et al. 455/575.4

OTHER PUBLICATIONS

Samsung I9100 Galaxy S II telephone, announced Feb. 2011, [online], [site visited Dec. 16, 2011]. Available from Internet, <URL: <http://www.gsmarena.com>>.*
 Samsung Galaxy Note telephone, announced Sep. 2010, [online], [site visited Dec. 16, 2011]. Available from Internet, <URL: <http://www.gsmarena.com>>.*
 Samsung I997 Infuse 4G telephone, announced Jan. 2011, [online], [site visited Dec. 16, 2011]. Available from Internet, <URL: <http://www.gsmarena.com>>.*
 Samsung I8700 Omnia 7 telephone, announced Oct. 2010, [online], [site visited Dec. 16, 2011]. Available from Internet, <URL: <http://www.gsmarena.com>>.*
 LG Optimus Big LU6800 telephone, announced Apr. 2011, [online], [site visited Dec. 16, 2011]. Available from Internet, <URL: <http://www.gsmarena.com>>.*
 LG Optimus LTE LU6200 telephone, announced Oct. 2011, [online], [site visited Dec. 16, 2011]. Available from Internet, <URL: <http://www.gsmarena.com>>.*
 Samsung Galaxy W I8350 telephone, announced Sep. 2011, [online], [site visited Dec. 16, 2011]. Available from Internet, <URL: <http://www.gsmarena.com>>.*

* cited by examiner

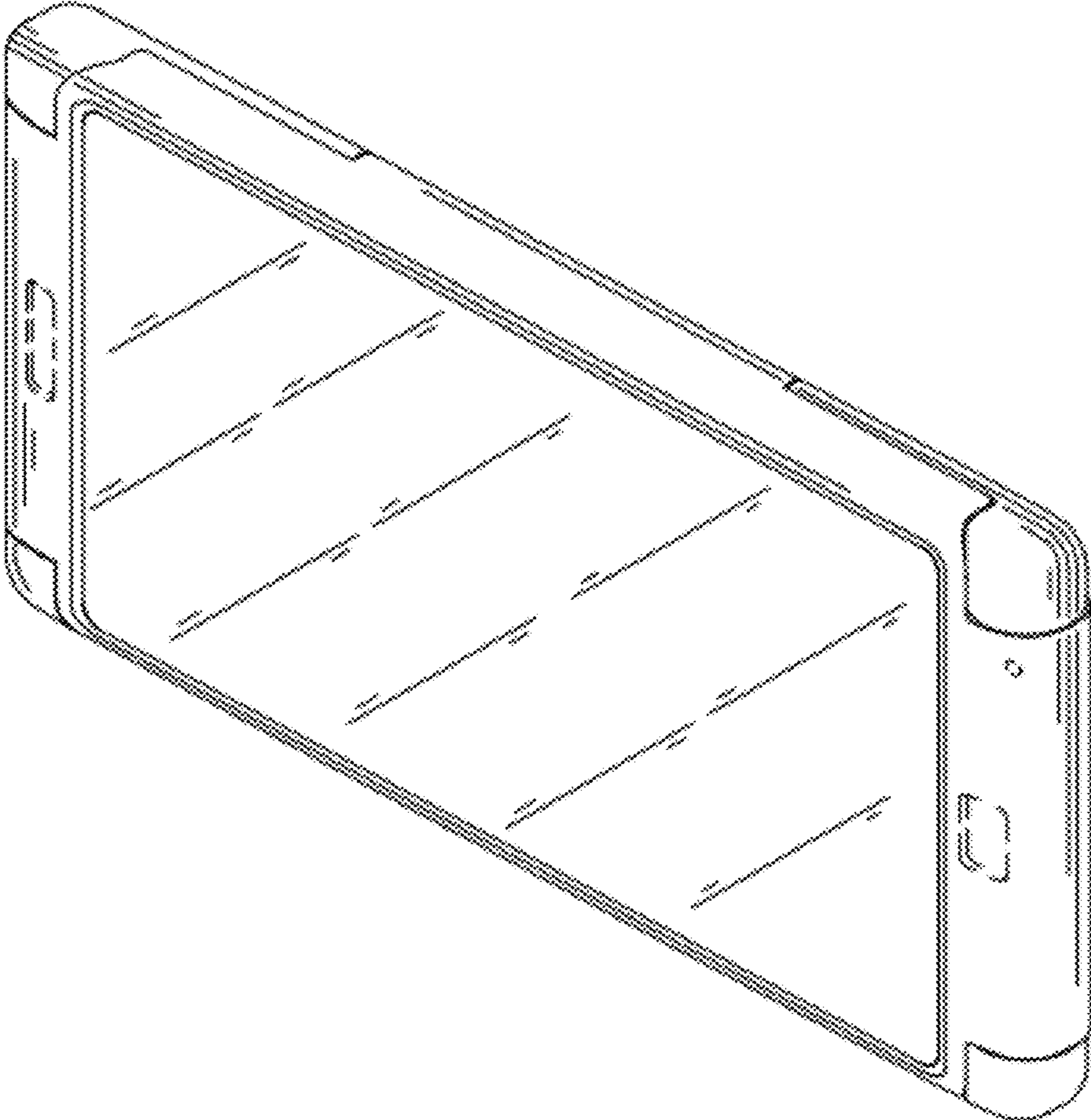


FIG. 1

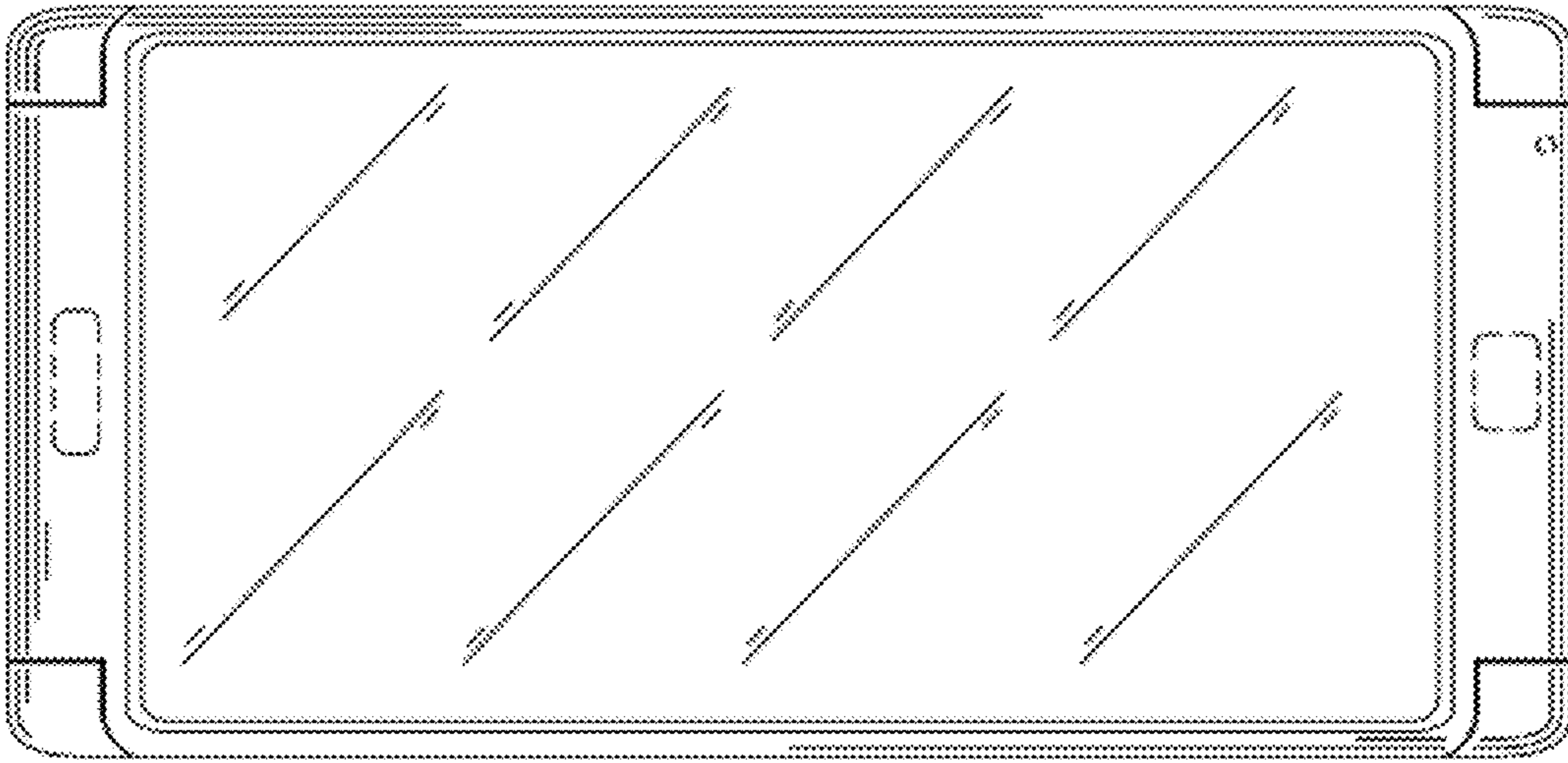


FIG. 2

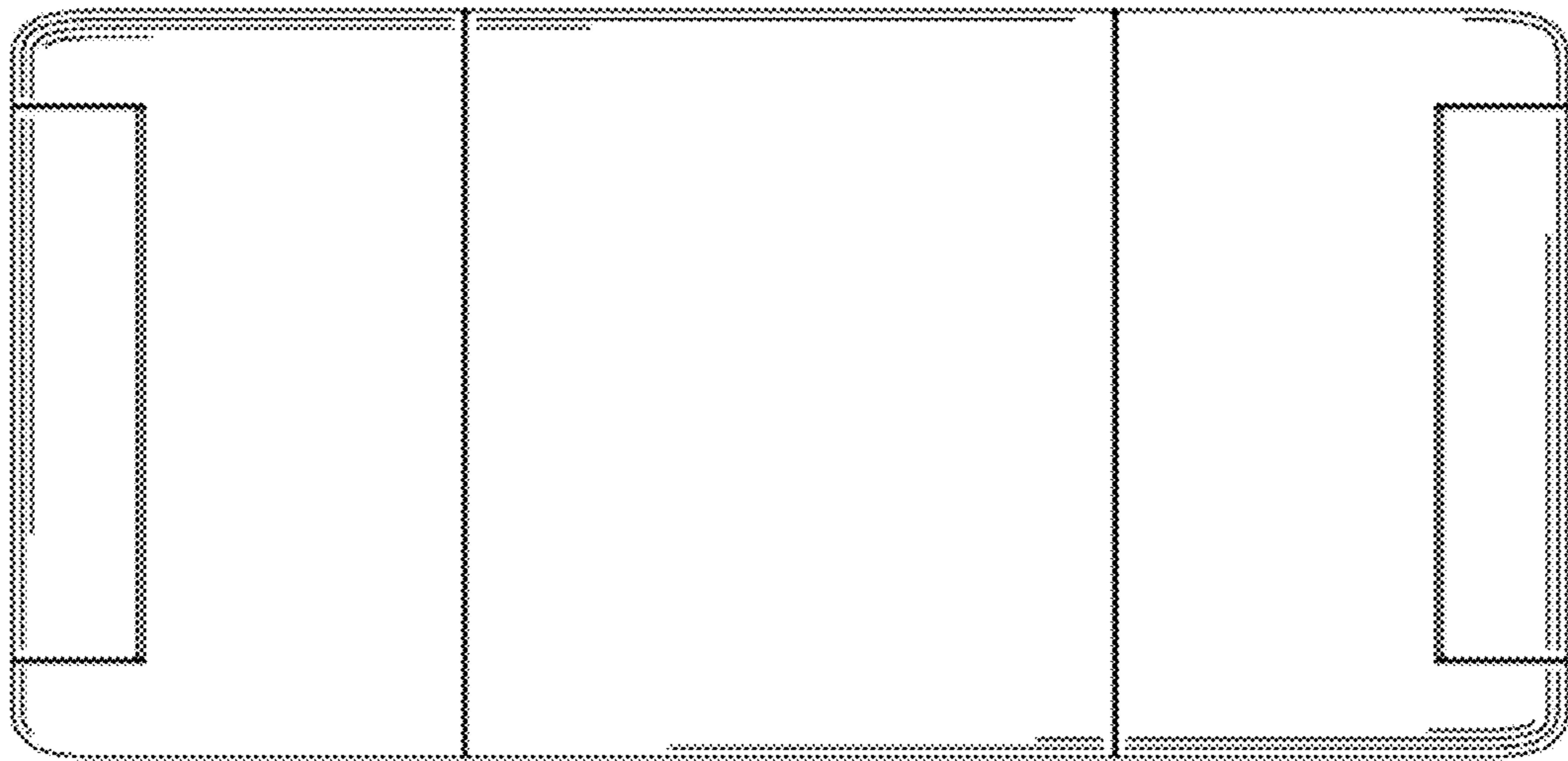


FIG. 3



FIG. 4

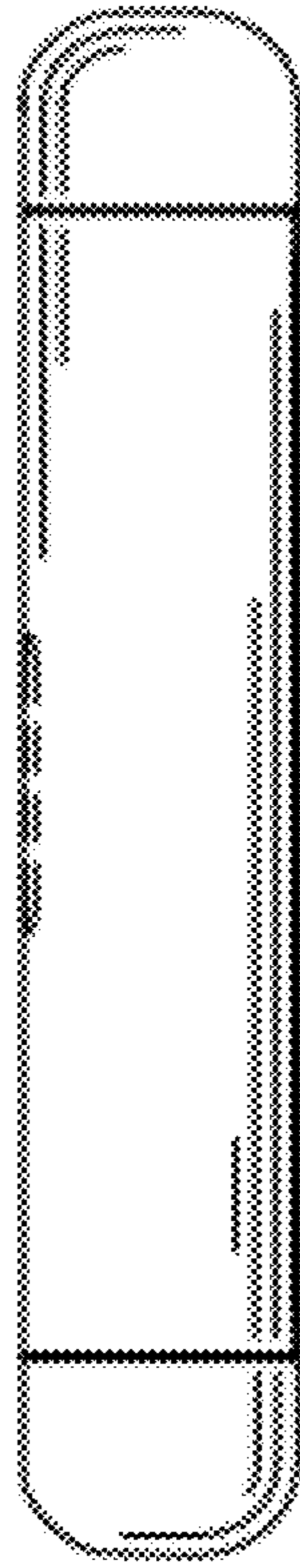


FIG. 5

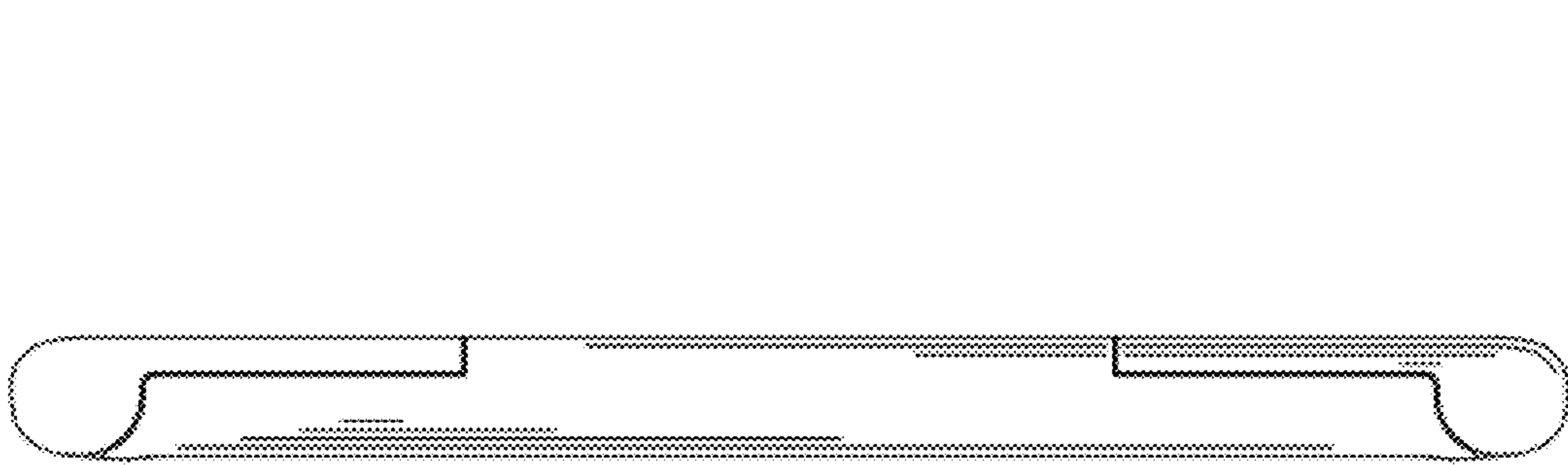


FIG. 6

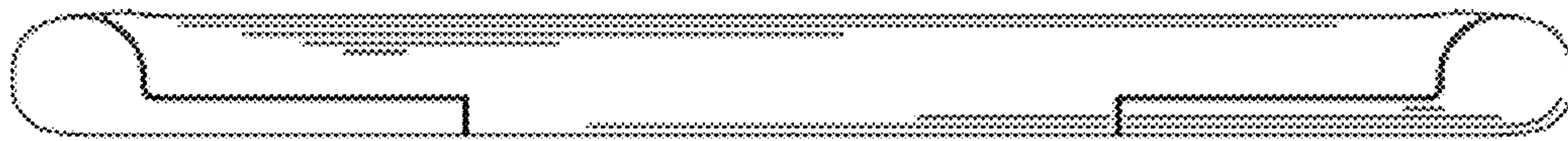


FIG. 7

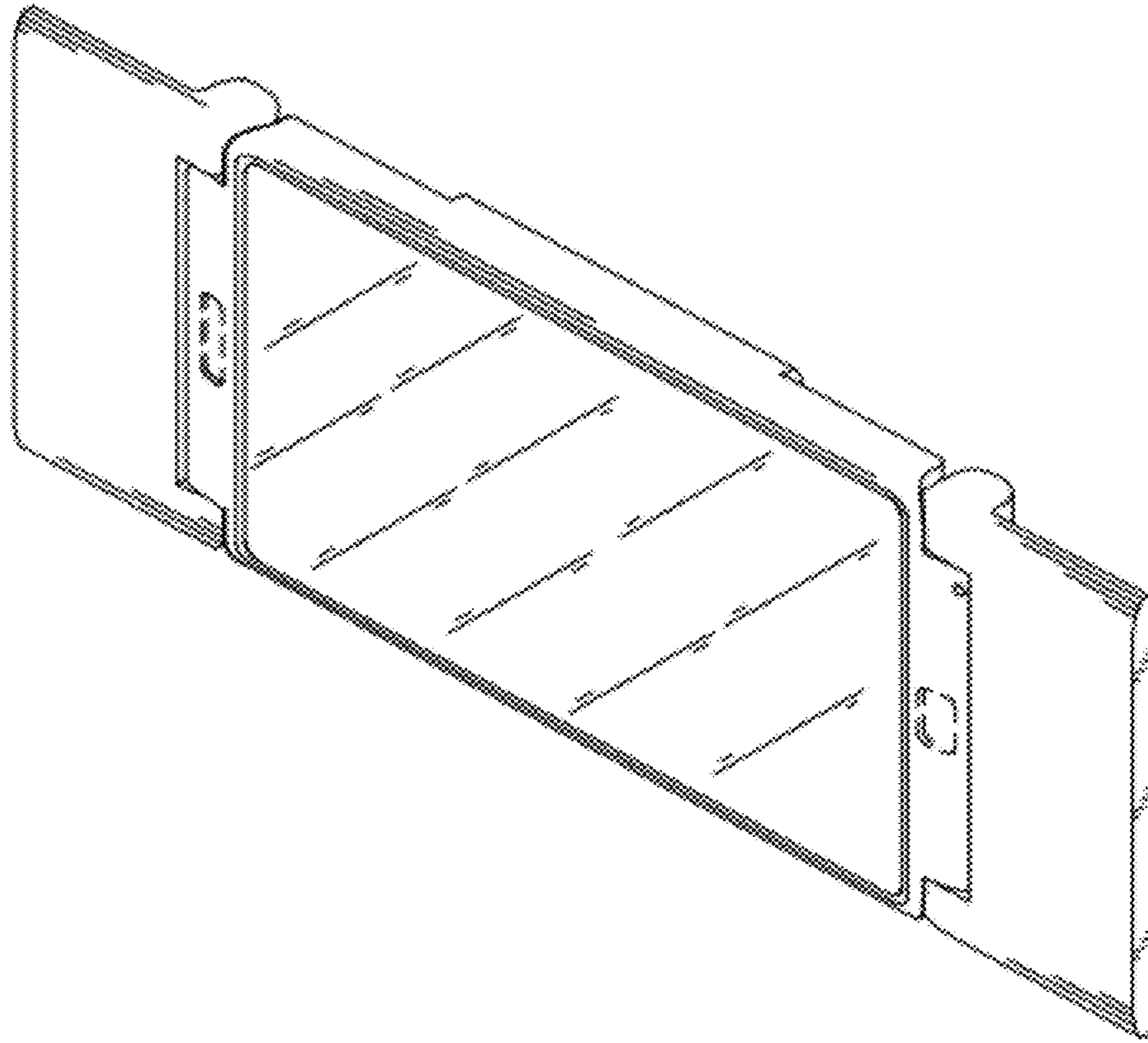


FIG. 8

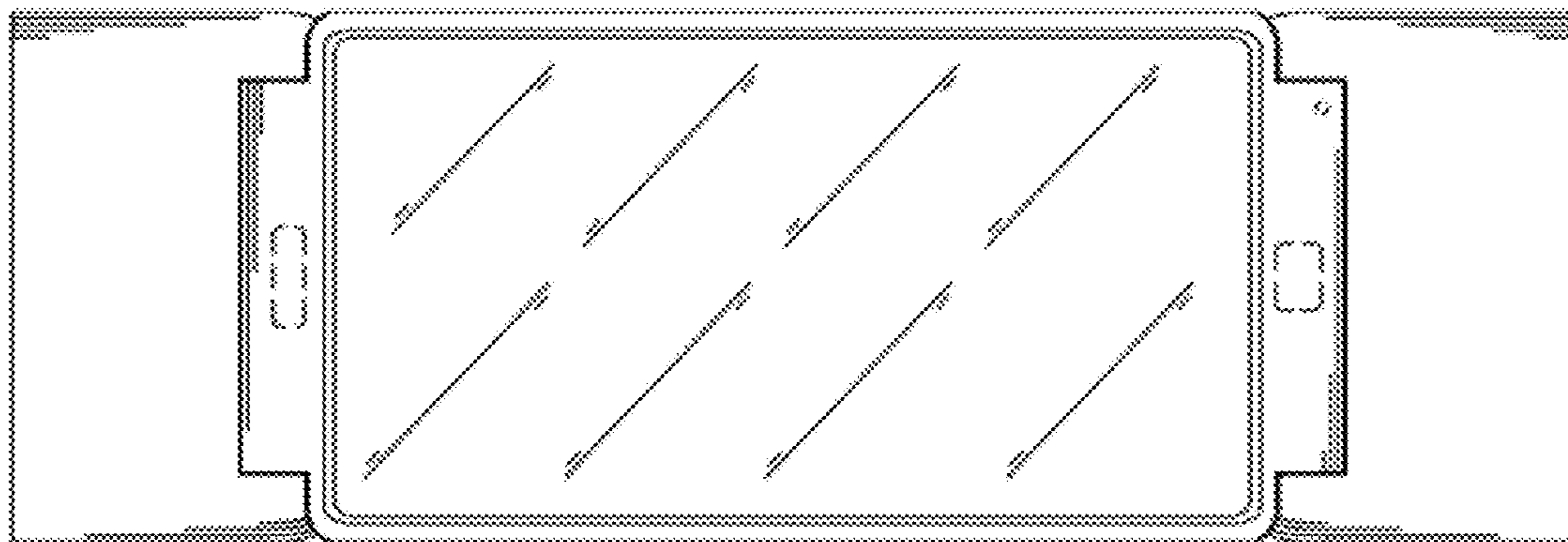


FIG. 9

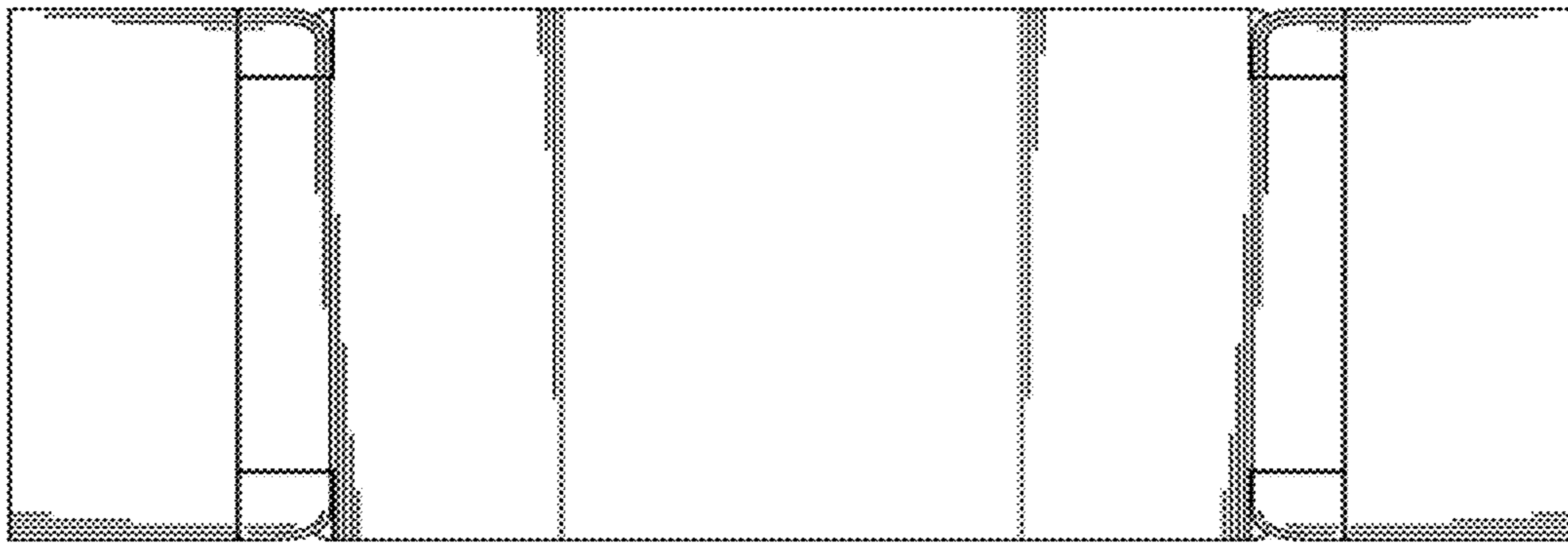


FIG. 10

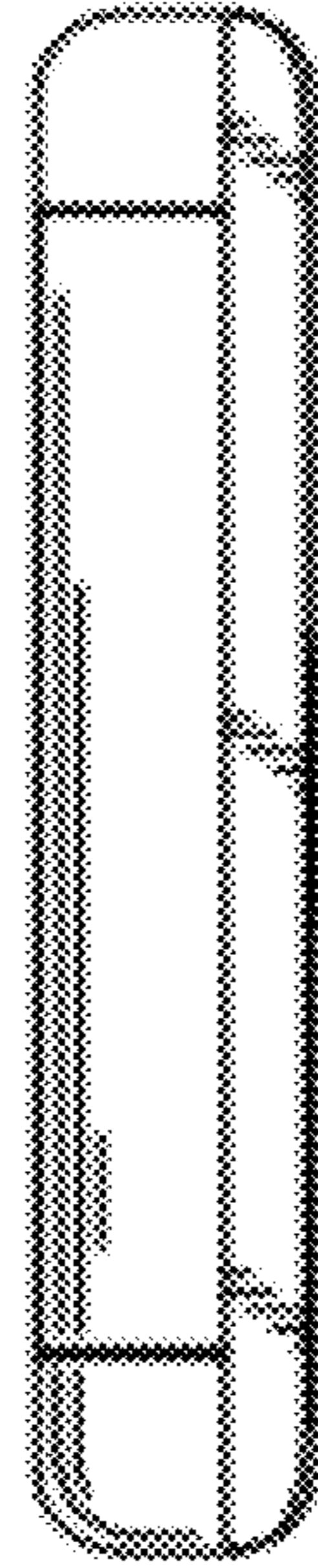


FIG. 11

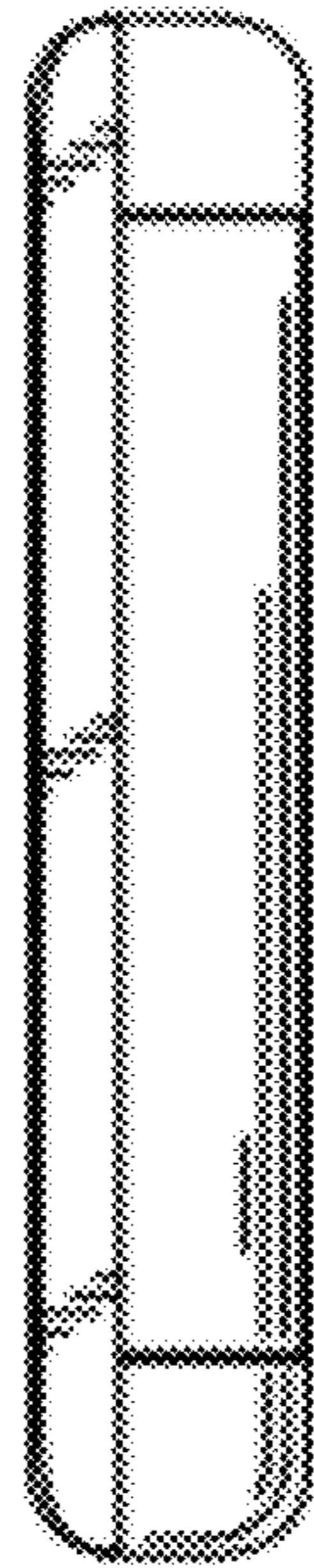


FIG. 12



FIG. 13



FIG. 14