

US00D654049S

(12) **United States Design Patent**
Chung

(10) **Patent No.:** **US D654,049 S**

(45) **Date of Patent:** **** Feb. 14, 2012**

(54) **MOBILE PHONE**

(75) Inventor: **Jin-Man Chung**, Goyang-si (KR)

(73) Assignee: **Samsung Electronics Co., Ltd.** (KR)

(**) Term: **14 Years**

(21) Appl. No.: **29/398,130**

(22) Filed: **Jul. 26, 2011**

(30) **Foreign Application Priority Data**

Apr. 22, 2011 (KR) 30-2011-0016590

(51) **LOC (9) Cl.** **14-03**

(52) **U.S. Cl.** **D14/138 G**

(58) **Field of Classification Search** D14/138 AD,
D14/138 G, 138 R, 138 AC, 138 C, 496,
D14/341, 345, 346, 203.7, 247, 248, 218,
D14/138 AA, 138 AB; 455/575.1, 556.2,
455/556.1, 575.4, 566; D10/65; D13/168

See application file for complete search history.

(56) **References Cited**

U.S. PATENT DOCUMENTS

D580,387 S *	11/2008	Andre et al.	D14/138 G
D584,272 S *	1/2009	Chung et al.	D14/138 G
D589,487 S *	3/2009	Park et al.	D14/138 AD
D589,924 S *	4/2009	Jung et al.	D14/138 AD
D593,059 S *	5/2009	Kim et al.	D14/138 G
D603,362 S *	11/2009	Kim et al.	D14/138 G
D606,506 S *	12/2009	Choi et al.	D14/138 AD
D611,023 S *	3/2010	Wu et al.	D14/138 G
D615,946 S *	5/2010	Mun	D14/138 G
D618,196 S *	6/2010	Bang et al.	D14/138 AA
D618,655 S *	6/2010	Sandberg	D14/138 G
D619,555 S *	7/2010	Yang et al.	D14/138 G

D619,988 S *	7/2010	Ji et al.	D14/138 G
D626,937 S *	11/2010	Yeo et al.	D14/203.7
D628,975 S *	12/2010	Jang	D14/138 G
D629,799 S *	12/2010	Andre et al.	D14/341
D633,066 S *	2/2011	Park et al.	D14/138 AD
D643,006 S *	8/2011	Han et al.	D14/138 G
D643,007 S *	8/2011	Song	D14/138 G
D645,014 S *	9/2011	Chung	D14/138 G
D645,015 S *	9/2011	Lee et al.	D14/138 G
D645,017 S *	9/2011	Kim et al.	D14/138 G

OTHER PUBLICATIONS

Samsung I9001 Galaxy S Plus telephone, announced Apr. 2011, [online]. [site visited Sep. 20, 2011]. Available from Internet, <URL: <http://www.gsmarena.com>>.*

Samsung M220L Galaxy Neo telephone, announced Mar. 2011, [online]. [site visited Sep. 20, 2011]. Available from Internet, <URL: <http://www.gsmarena.com>>.*

(Continued)

Primary Examiner — Jeffrey D Asch

(74) *Attorney, Agent, or Firm* — NSIP Law

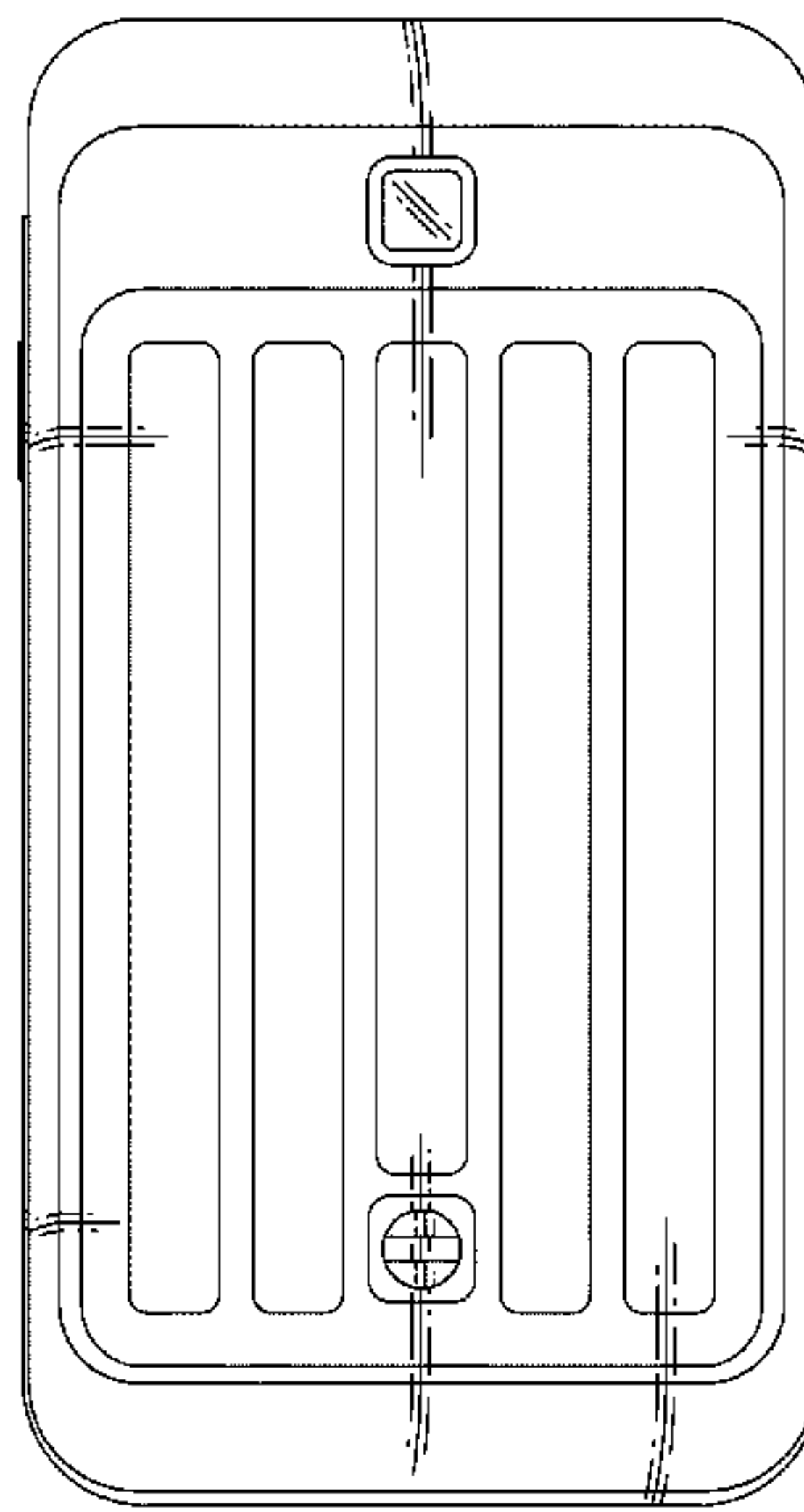
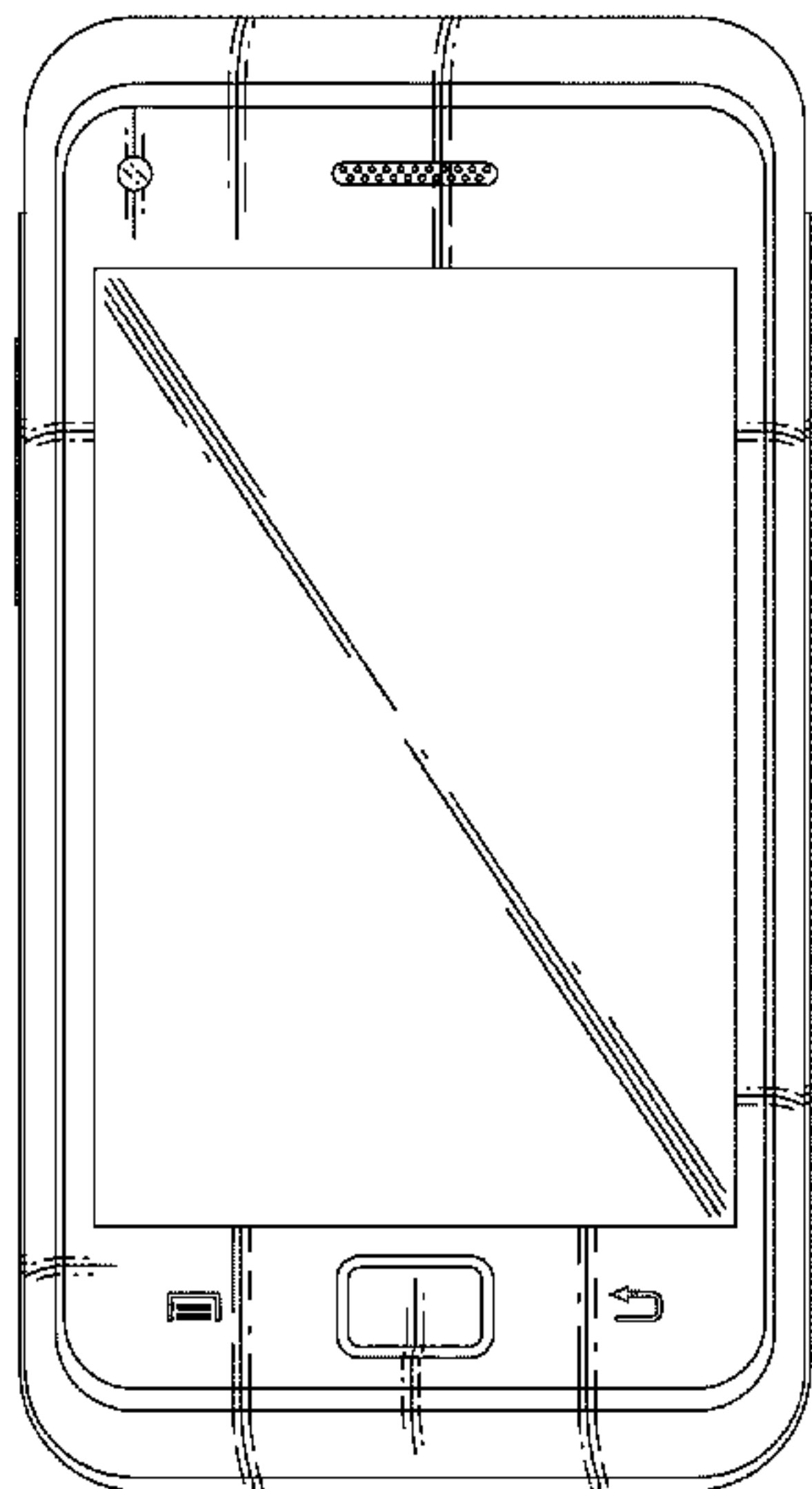
(57) **CLAIM**

The ornamental design for a mobile phone, as shown and described.

DESCRIPTION

FIG. 1 is a perspective view of a mobile phone; FIG. 2 is a front view of the mobile phone of FIG. 1; FIG. 3 is a rear view of the mobile phone of FIG. 1; FIG. 4 is a left-side view of the mobile phone of FIG. 1; FIG. 5 is a right-side view of the mobile phone of FIG. 1; FIG. 6 is a top plan view of the mobile phone of FIG. 1; and, FIG. 7 is a bottom plan view of the mobile phone of FIG. 1.

1 Claim, 5 Drawing Sheets



OTHER PUBLICATIONS

Samsung M130L Galaxy U telephone, announced Aug. 2011, [online], [site visited Sep. 20, 2011]. Available from Internet, <URL: <http://www.gsmarena.com>>.*

Samsung S5230 Star telephone, announced Mar. 2009, [online], [site visited Sep. 20, 2011]. Available from Internet, <URL: <http://www.gsmarena.com>>.*

LG Optimus Big LU6800 telephone, announced Apr. 2011, [online], [site visited Sep. 20, 2011]. Available from Internet, <URL: <http://www.gsmarena.com>>.*

Philips D900 telephone, announced 2010, [online], [site visited Sep. 20, 2011]. Available from Internet, <URL: <http://www.gsmarena.com>>.*

Toshiba TG01 telephone, announced Jan. 2009, [online], [site visited Sep. 20, 2011]. Available from Internet, <URL: <http://www.gsmarena.com>>.*

ZTE F951 telephone, announced 2010, [online], [site visited Sep. 20, 2011]. Available from Internet, <URL: <http://www.gsmarena.com>>.*

* cited by examiner

FIG. 1

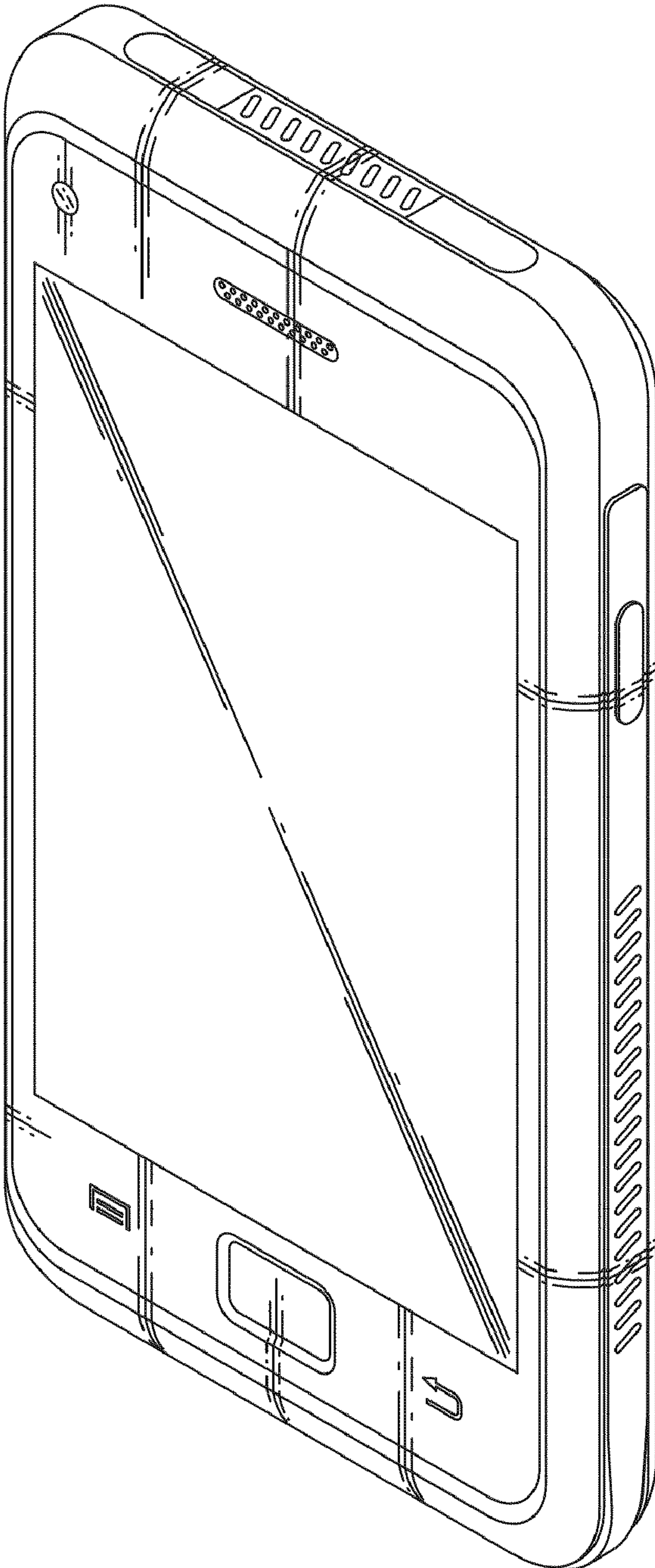


FIG. 2

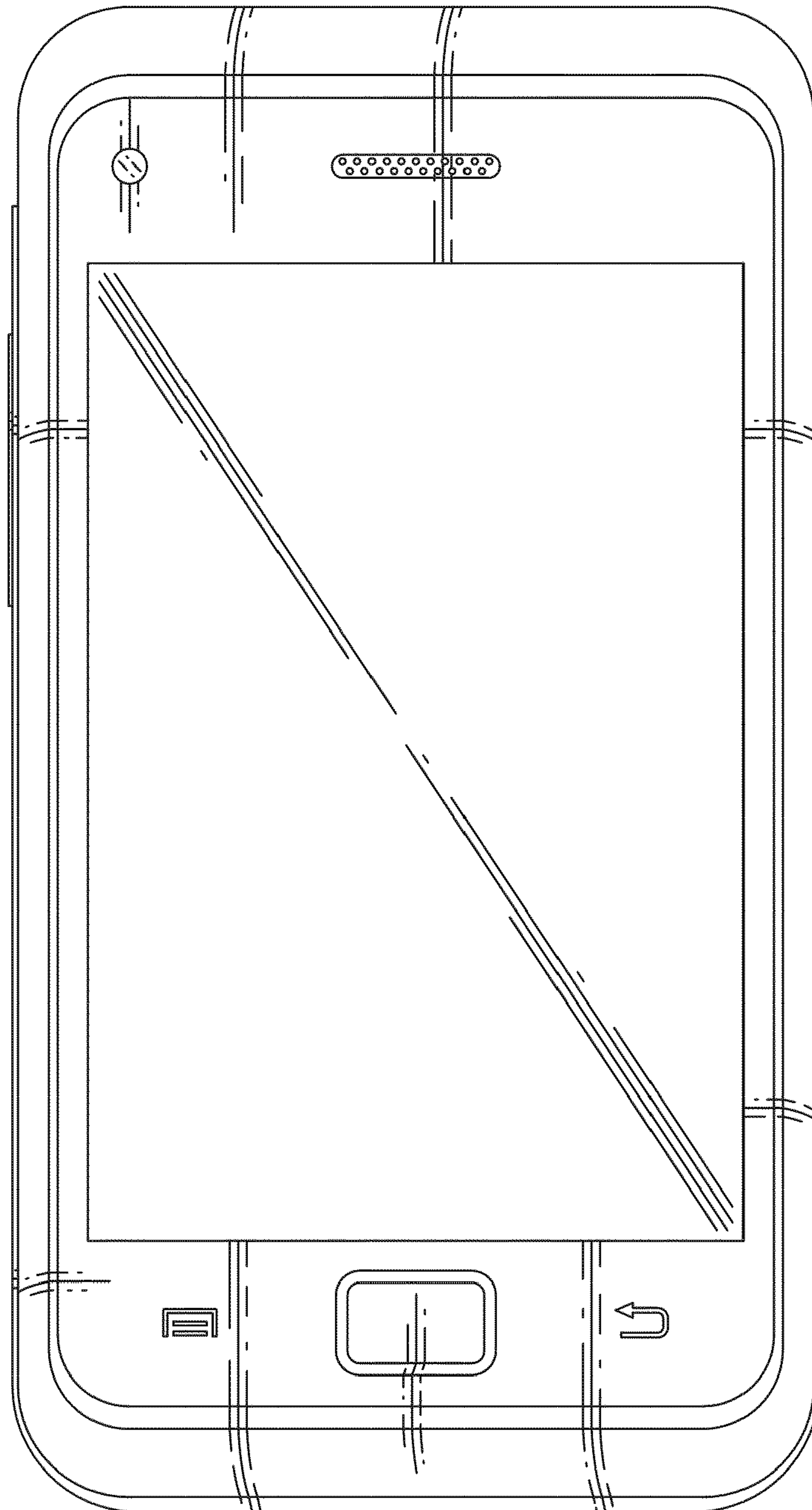


FIG. 3

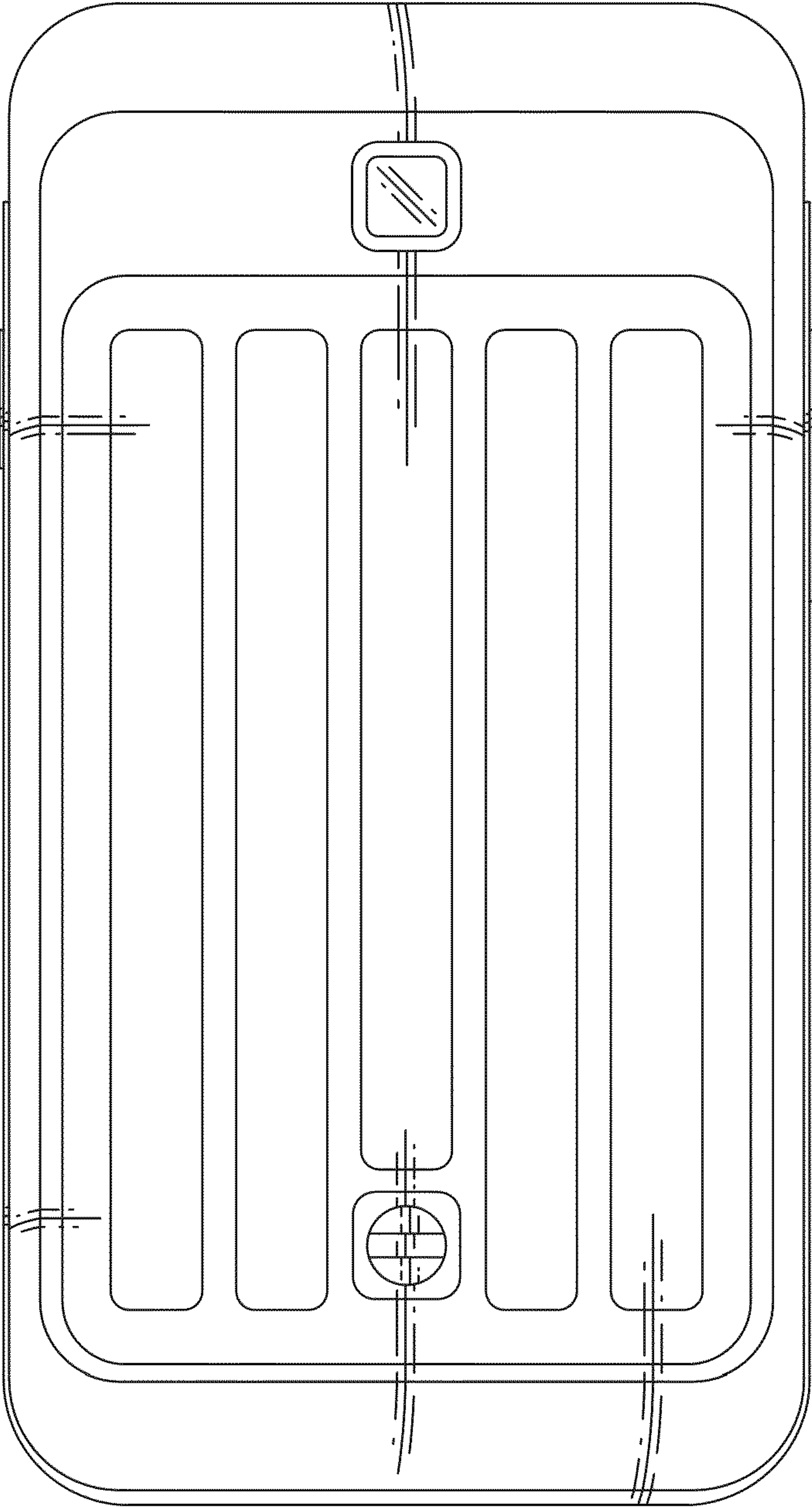


FIG. 4

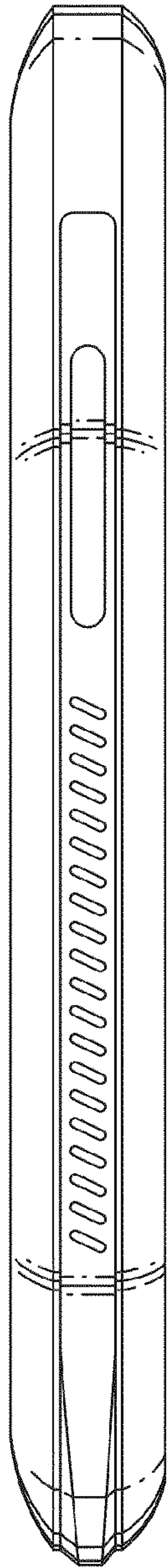


FIG. 5

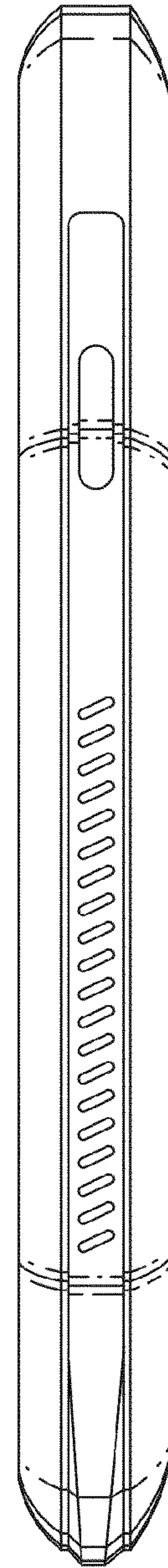


FIG. 6

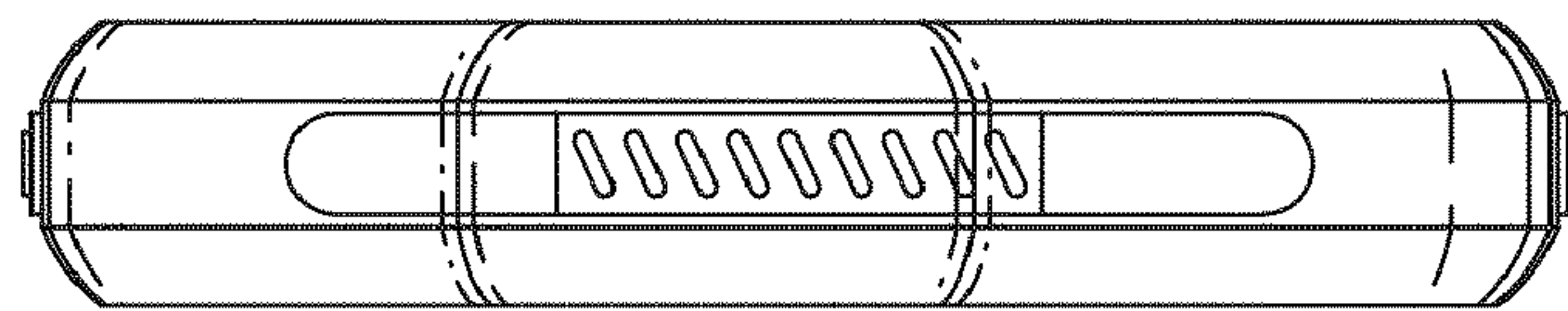


FIG. 7

