



US00D654047S

(12) **United States Design Patent**
Kim et al.

(10) **Patent No.:** **US D654,047 S**

(45) **Date of Patent:** **** Feb. 14, 2012**

(54) **MOBILE PHONE**

(75) Inventors: **Kuk-Hwan Kim**, Seoul (KR); **Nam-Mi Kim**, Seoul (KR); **Seog-Guen Kim**, Seoul (KR)

(73) Assignee: **Samsung Electronics Co., Ltd.** (KR)

(**) Term: **14 Years**

(21) Appl. No.: **29/398,098**

(22) Filed: **Jul. 26, 2011**

(30) **Foreign Application Priority Data**

Apr. 28, 2011 (KR) 30-2011-0017402

(51) **LOC (9) Cl.** **14-03**

(52) **U.S. Cl.** **D14/138 G**

(58) **Field of Classification Search** D14/138 AD, D14/138 G, 138 R, 138 AC, 138 C, 496, D14/341, 345, 346, 203.7, 247, 248, 218, D14/138 AA, 138 AB; 455/575.1, 556.2, 455/556.1, 575.4, 566; D10/65; D13/168
See application file for complete search history.

(56) **References Cited**

U.S. PATENT DOCUMENTS

- D532,766 S * 11/2006 Lee D14/138 AD
- D580,387 S * 11/2008 Andre et al. D14/138 G
- D589,487 S * 3/2009 Park et al. D14/138 AD
- D589,924 S * 4/2009 Jung et al. D14/138 AD
- D601,539 S * 10/2009 Hong D14/138 G
- D606,506 S * 12/2009 Choi et al. D14/138 AD
- D609,210 S * 2/2010 Sohn et al. D14/138 AD
- D615,945 S * 5/2010 Kim et al. D14/138 G
- D615,946 S * 5/2010 Mun D14/138 G
- D618,655 S * 6/2010 Sandberg D14/138 G

- D626,937 S * 11/2010 Yeo et al. D14/203.7
- D627,755 S * 11/2010 Yang D14/138 G
- D628,975 S * 12/2010 Jang D14/138 G
- D629,378 S * 12/2010 Wykes et al. D14/138 AD
- D629,773 S * 12/2010 Lee et al. D14/138 G
- D629,783 S * 12/2010 Kim et al. D14/138 G
- D633,066 S * 2/2011 Park et al. D14/138 AD
- D633,460 S * 3/2011 Yi et al. D14/138 G
- D633,892 S * 3/2011 Chen D14/138 AD
- D635,541 S * 4/2011 Park et al. D14/138 G
- D636,364 S * 4/2011 Sandberg D14/138 G
- D639,764 S * 6/2011 Lee D14/138 AD
- D640,223 S * 6/2011 Park et al. D14/138 G

(Continued)

OTHER PUBLICATIONS

Samsung Galaxy W I8150 telephone, announced Aug. 2011, [online]. [site visited Sep. 20, 2011]. Available from Internet, <URL: <http://www.gsmarena.com>>.*

(Continued)

Primary Examiner — Jeffrey D Asch
(74) *Attorney, Agent, or Firm* — NSIP Law

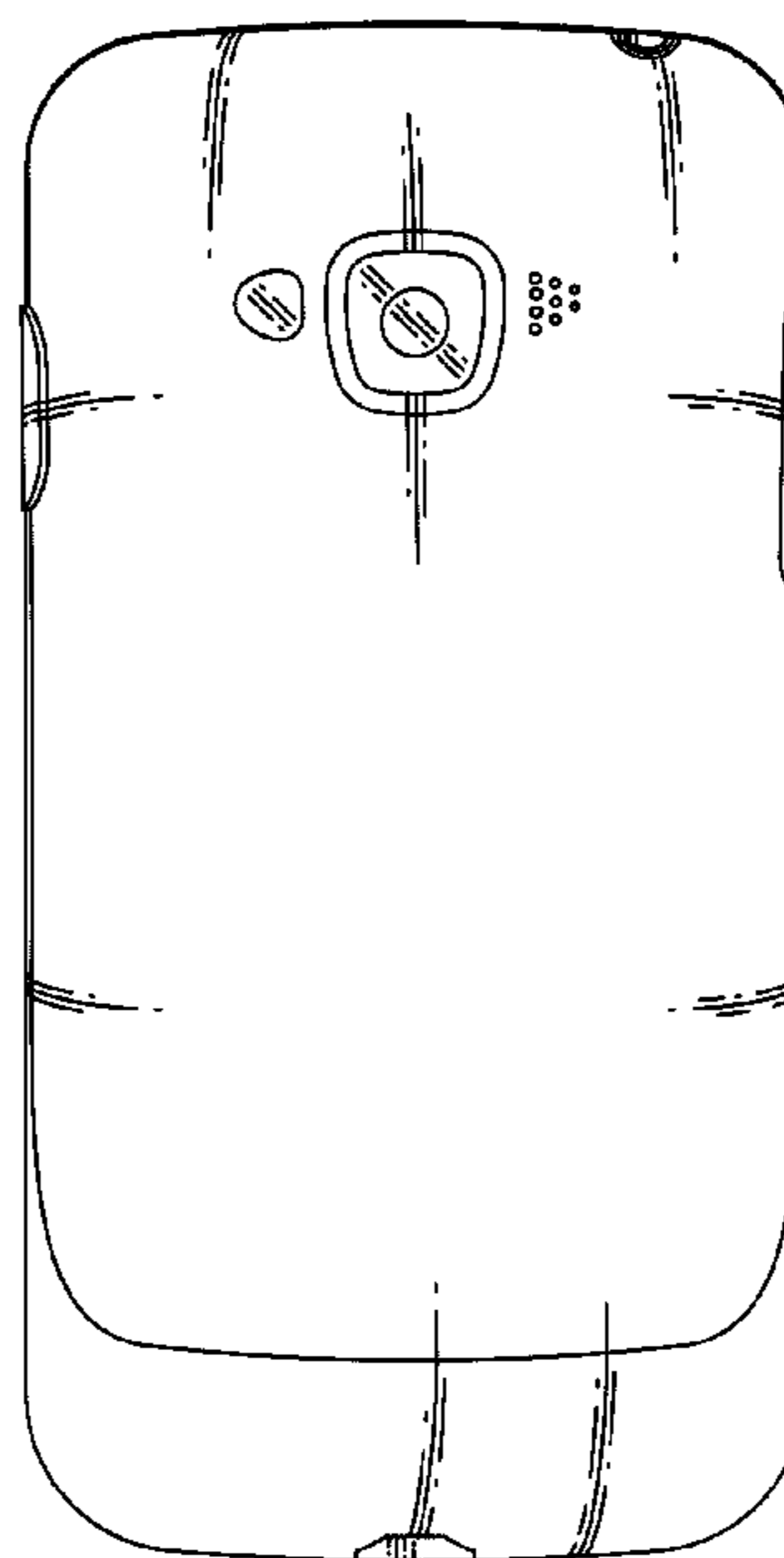
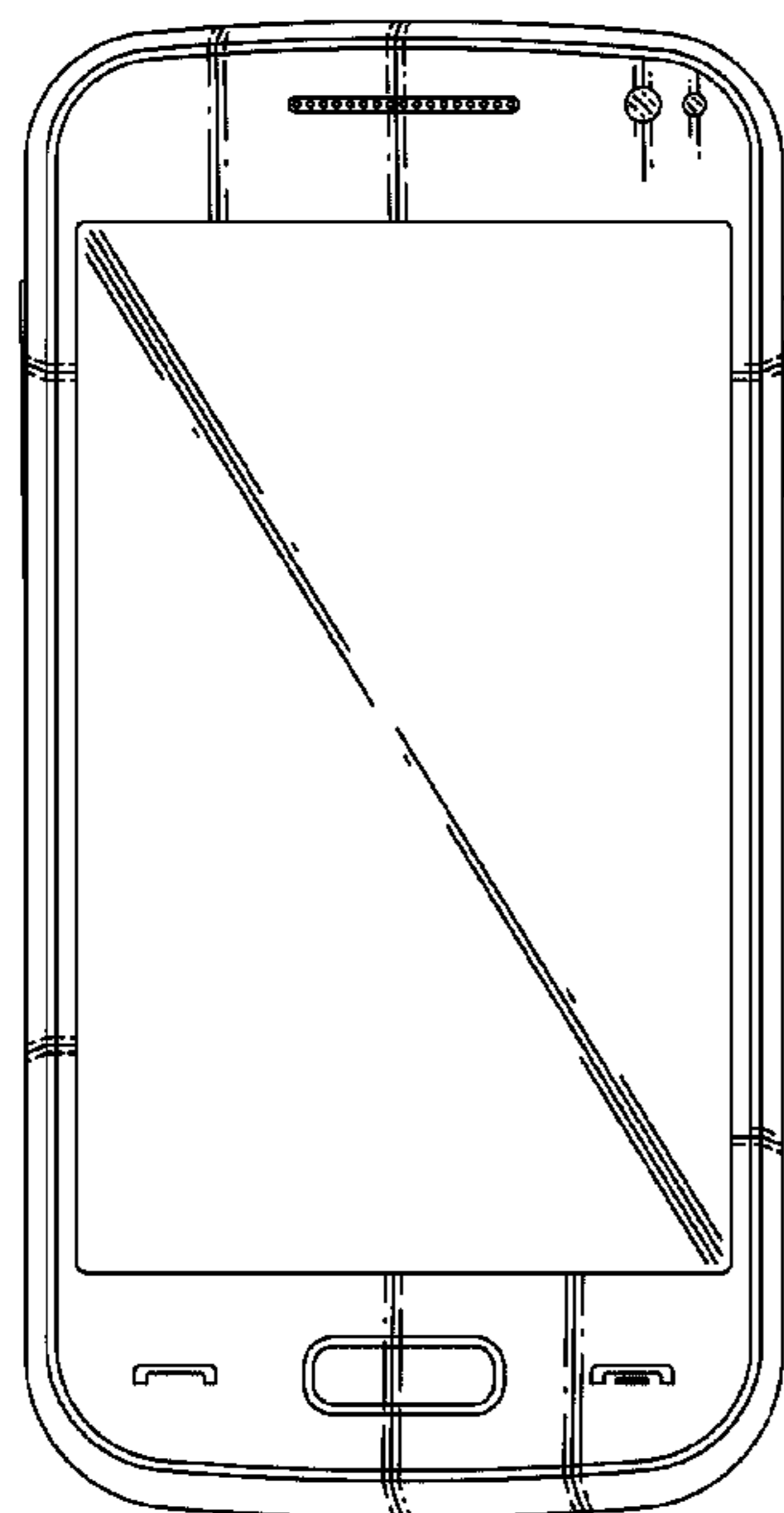
(57) **CLAIM**

The ornamental design for a mobile phone, as shown and described.

DESCRIPTION

FIG. 1 is a perspective view of a mobile phone; FIG. 2 is a front view of the mobile phone of FIG. 1; FIG. 3 is a rear view of the mobile phone of FIG. 1; FIG. 4 is a left-side view of the mobile phone of FIG. 1; FIG. 5 is a right-side view of the mobile phone of FIG. 1; FIG. 6 is a top plan view of the mobile phone of FIG. 1; and, FIG. 7 is a bottom plan view of the mobile phone of FIG. 1.

1 Claim, 5 Drawing Sheets



U.S. PATENT DOCUMENTS

D643,827 S * 8/2011 Lee et al. D14/138 G
D645,011 S * 9/2011 Min D14/138 AD
D645,017 S * 9/2011 Kim et al. D14/138 G

OTHER PUBLICATIONS

Samsung I9003 Galaxy SL telephone, announced Feb. 2011, [online], [site visited Sep. 20, 2011]. Available from Internet, <URL: <http://www.gsmarena.com>>.*
Samsung Galaxy Wave M S7250 telephone, announced Aug. 2011, [online], [site visited Sep. 20, 2011]. Available from Internet, <URL: <http://www.gsmarena.com>>.*
Samsung M8910 Pixon12 telephone, announced Jun. 2009, [online], [site visited Sep. 20, 2011]. Available from Internet, <URL: <http://www.gsmarena.com>>.*
LG GT400 Viewty Smile telephone, announced Apr. 2010, [online], [site visited Sep. 20, 2011]. Available from Internet, <URL: <http://www.gsmarena.com>>.*

LG Optimus Big LU6800 telephone, announced Apr. 2011, [online], [site visited Sep. 20, 2011]. Available from Internet, <URL: <http://www.gsmarena.com>>.*

Pantech Laser telephone, announced Oct. 2010, [online], [site visited Sep. 20, 2011]. Available from Internet, <URL: <http://www.gsmarena.com>>.*

ZTE F951 telephone, announced 2010, [online], [site visited Sep. 20, 2011]. Available from Internet, <URL: <http://www.gsmarena.com>>.*

Samsung Galaxy Gio S5660 telephone, announced Jan. 2011, [online], [site visited Sep. 20, 2011]. Available from Internet, <URL: <http://www.gsmarena.com>>.*

Samsung A887 Solstice telephone, announced Jul. 2009, [online], [site visited Sep. 20, 2011]. Available from Internet, <URL: <http://www.gsmarena.com>>.*

* cited by examiner

FIG. 1

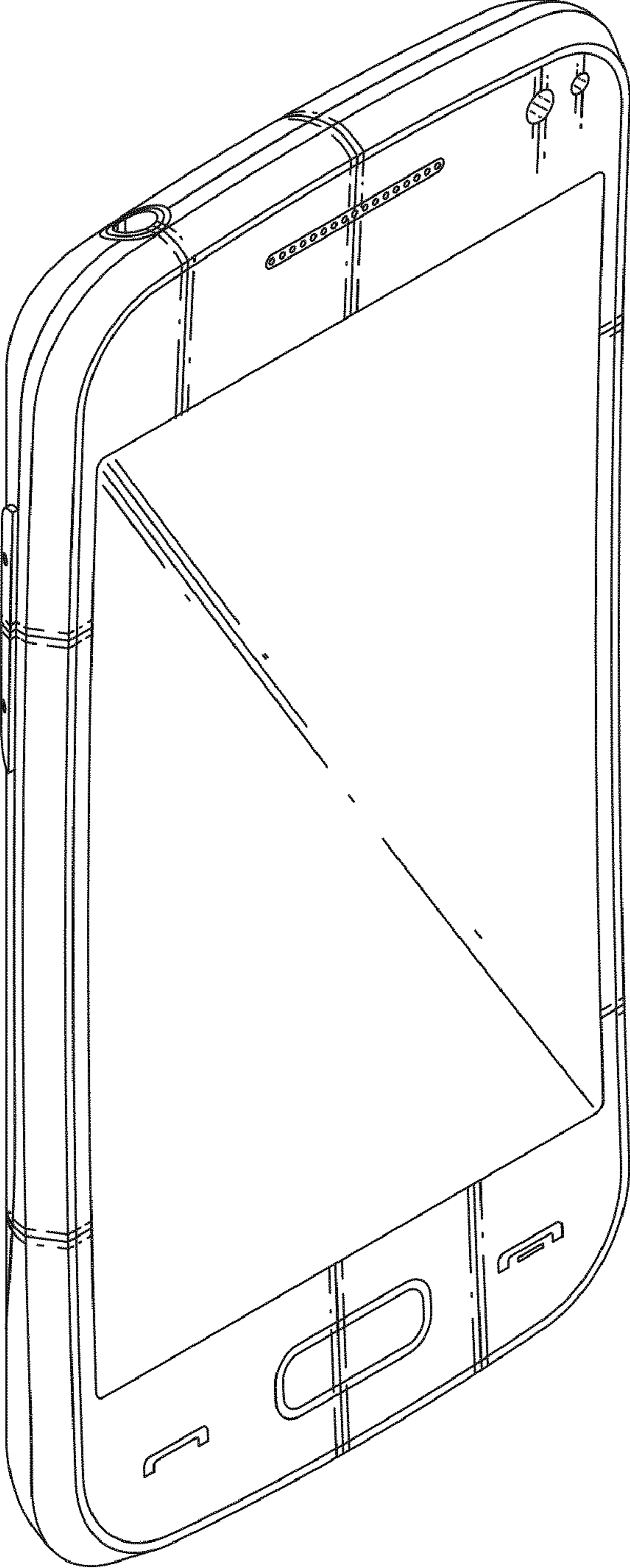


FIG. 2

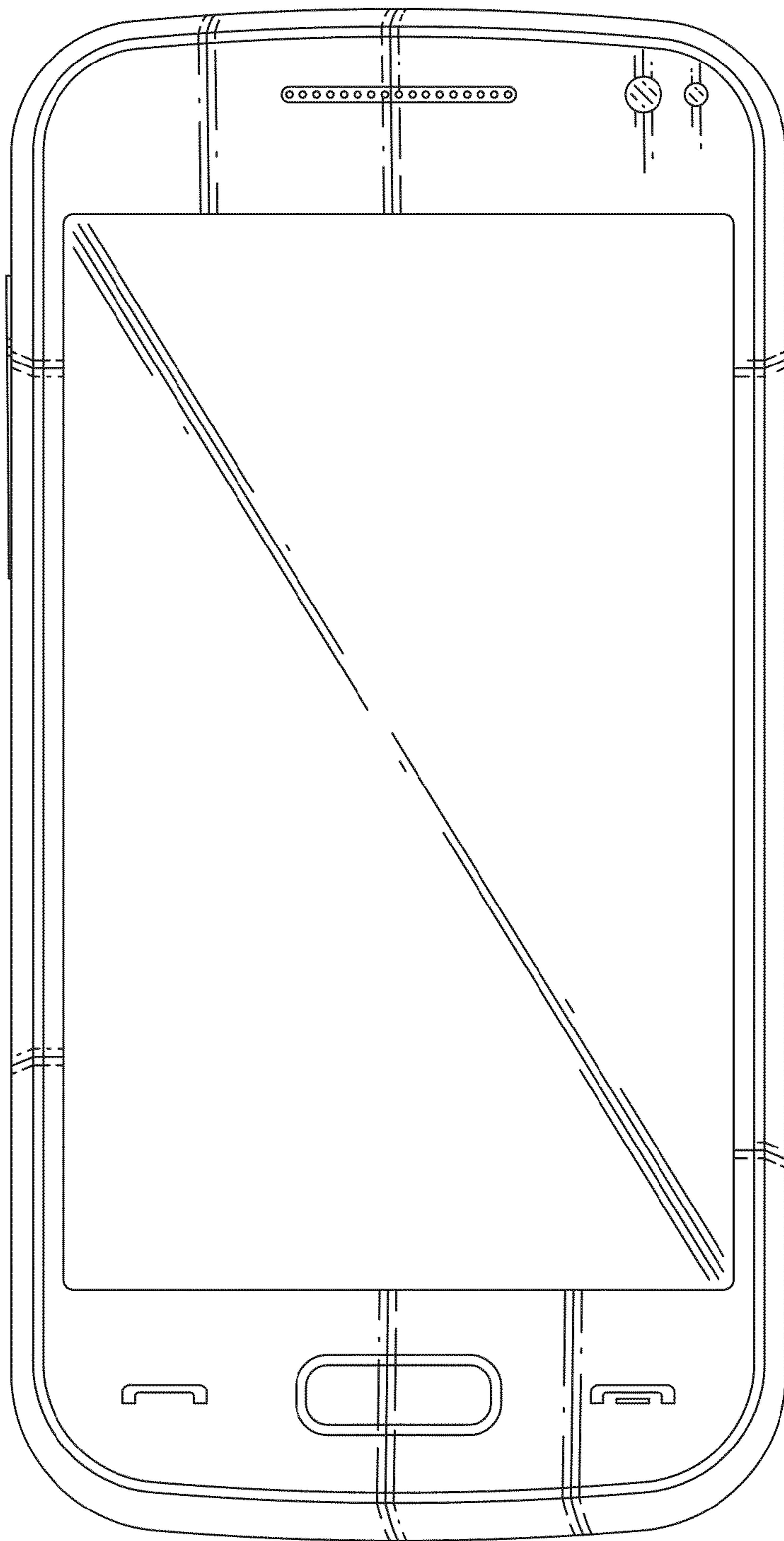


FIG. 3

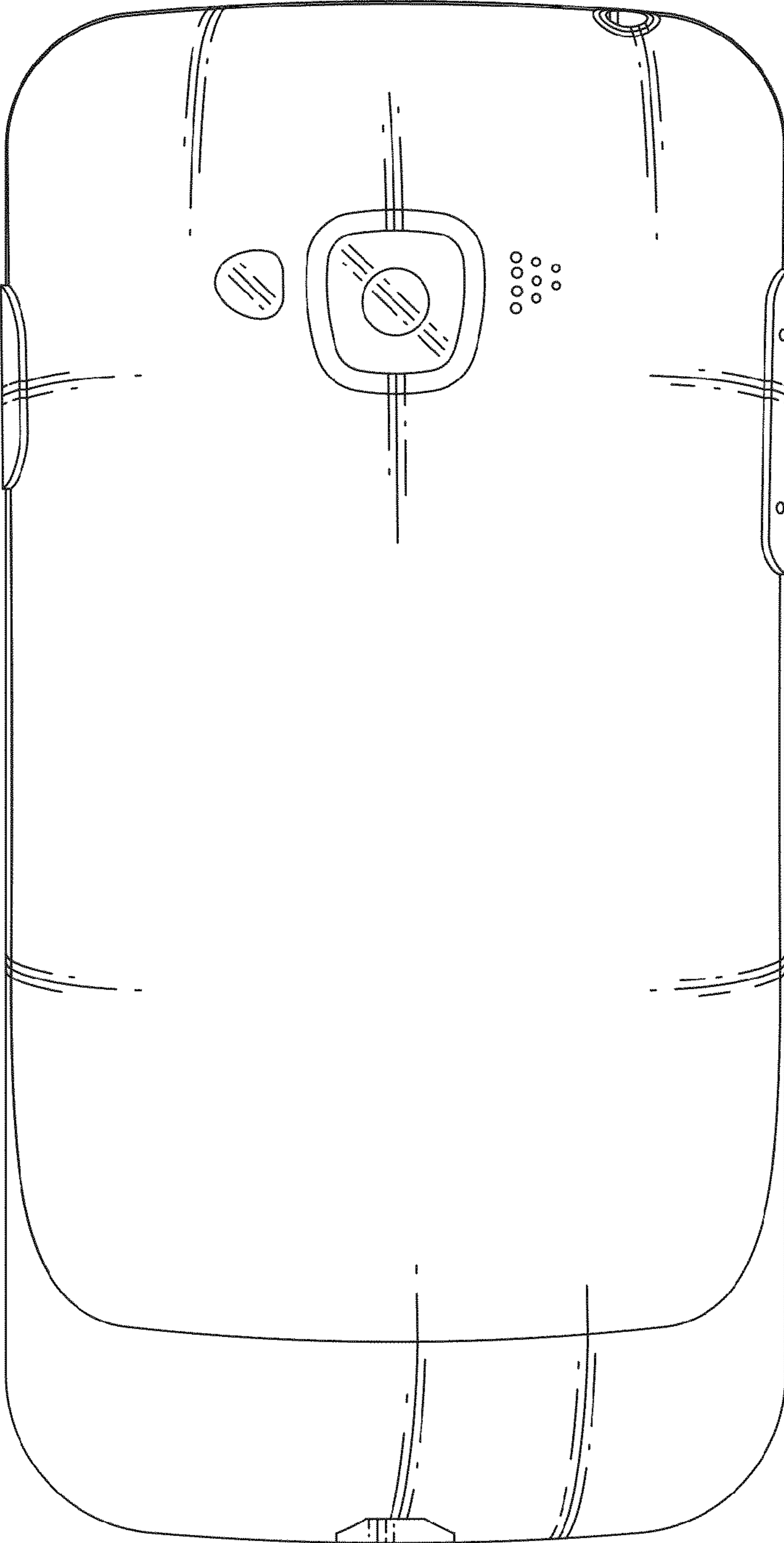


FIG. 4

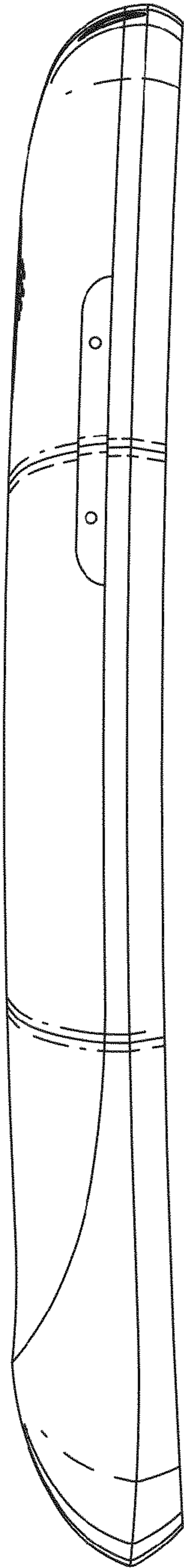


FIG. 5

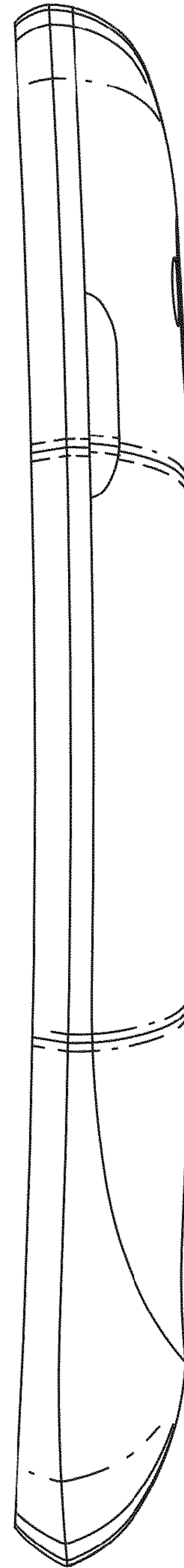


FIG. 6

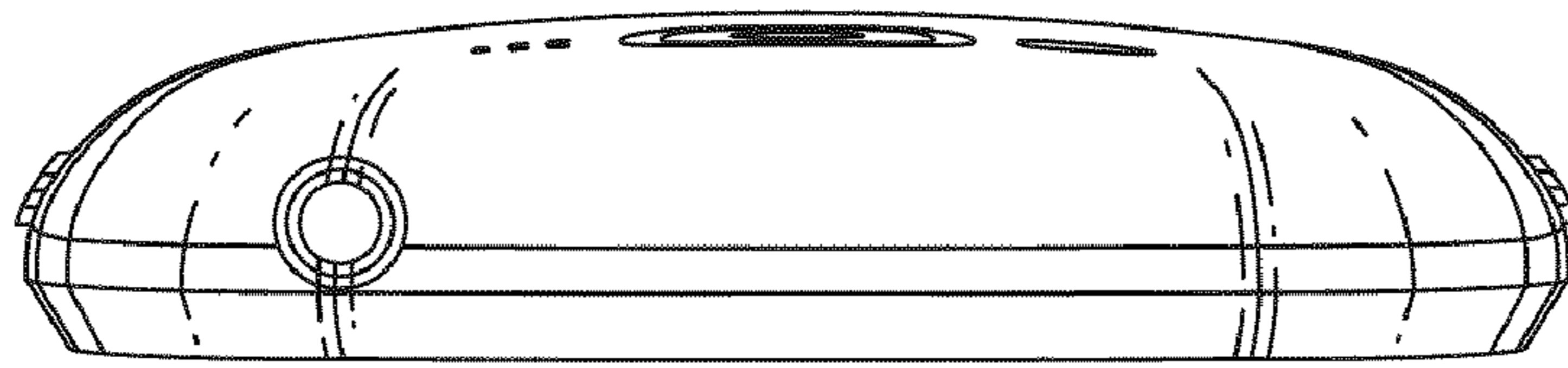


FIG. 7

