



US00D654041S

(12) **United States Design Patent**
Jung et al.

(10) **Patent No.:** **US D654,041 S**

(45) **Date of Patent:** **** Feb. 14, 2012**

(54) **MOBILE PHONE**

(75) Inventors: **Jong-Bo Jung**, Seoul (KR); **Ji-Young Lee**, Seoul (KR)

(73) Assignee: **Samsung Electronics Co., Ltd.** (KR)

(**) Term: **14 Years**

(21) Appl. No.: **29/387,289**

(22) Filed: **Mar. 11, 2011**

(30) **Foreign Application Priority Data**

Dec. 17, 2010 (KR) 30-2010-0054757

(51) **LOC (9) Cl.** **14-03**

(52) **U.S. Cl.** **D14/138 AD; D14/138 G**

(58) **Field of Classification Search** D14/138 R,
D14/138 AD, 138 AC, 138 C, 138 G, 191,
D14/203.1-203.8, 496, 138 AA, 138 AB,
D14/137, 147, 218, 341-347, 247-248; D10/65,
D10/78, 104; D13/168; D18/7; 455/566,
455/575.1, 575.3, 575.4

See application file for complete search history.

(56) **References Cited**

U.S. PATENT DOCUMENTS

D498,754 S * 11/2004 Blyth D14/341
D530,699 S * 10/2006 Lee et al. D14/138 G
D557,238 S * 12/2007 Kim D14/138 AD
D560,193 S * 1/2008 Sung et al. D14/138 AD
D565,533 S * 4/2008 Kim et al. D14/138 AD
D591,739 S * 5/2009 Matsuoka D14/341
D603,356 S * 11/2009 Sterzick et al. D14/138 G
D606,037 S * 12/2009 Christopher et al. . D14/138 AD
D606,505 S * 12/2009 Seflic et al. D14/138 G
D607,428 S * 1/2010 Kim et al. D14/138 AD

D611,025 S * 3/2010 Yu D14/138 G
D615,055 S * 5/2010 Lee et al. D14/138 G
D615,942 S * 5/2010 Kim et al. D14/138 AD
D619,983 S * 7/2010 Fujimura et al. D14/138 G
D622,691 S * 8/2010 Kim et al. D14/138 G
D627,344 S * 11/2010 Chien et al. D14/341
D627,758 S * 11/2010 Sheba et al. D14/203.7

(Continued)

OTHER PUBLICATIONS

Alcatel OT-708 One Touch MINI, announced Jun. 2009, [online], [retrieved on Jun. 23, 2009 & Sep. 4, 2009]. Retrieved from Internet ,<URL: <http://www.gsmarena.com>>.*

(Continued)

Primary Examiner — Bridget L Eland

(74) *Attorney, Agent, or Firm* — NSIP Law

(57) **CLAIM**

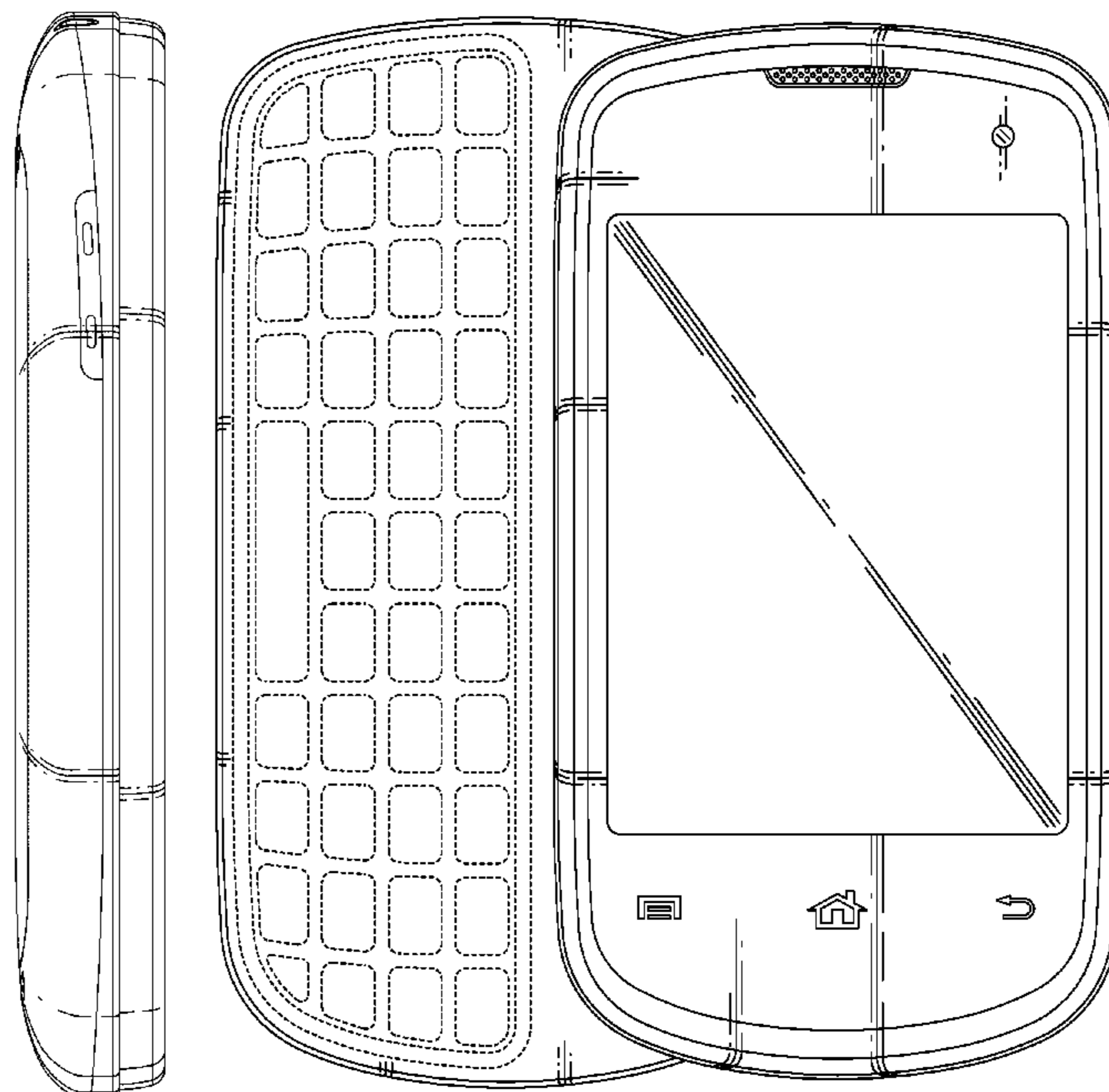
The ornamental design for a mobile phone, as shown and described.

DESCRIPTION

FIG. 1 is a perspective view of a mobile phone;
FIG. 2 is a front view of the mobile phone of FIG. 1;
FIG. 3 is a rear view of the mobile phone of FIG. 1;
FIG. 4 is a left-side view of the mobile phone of FIG. 1;
FIG. 5 is a right-side view of the mobile phone of FIG. 1;
FIG. 6 is a top plan view of the mobile phone of FIG. 1; and
FIG. 7 is a bottom plan view of the mobile phone of FIG. 1; and,

FIG. 8 is an open front view of the mobile phone of FIG. 1. The broken line immediately adjacent the shaded area represents an unclaimed boundary while all other broken lines are directed to environment and are for illustrative purposes only; the broken lines form no part of the claimed design.

1 Claim, 6 Drawing Sheets



U.S. PATENT DOCUMENTS

D633,886 S * 3/2011 Chen D14/138 AD
D644,196 S * 8/2011 Lee et al. D14/138 AD
2007/0218963 A1* 9/2007 Kim 455/575.4
2007/0232368 A1* 10/2007 Feightner et al. 455/575.1
2008/0132288 A1* 6/2008 Misawa 455/566
2009/0163250 A1* 6/2009 Park 455/566
2011/0003616 A1* 1/2011 Gorsica et al. 455/556.2
2011/0059774 A1* 3/2011 Clift et al. 455/566
2011/0105186 A1* 5/2011 Griffin et al. 455/566

OTHER PUBLICATIONS

Huawei Vision, announced Aug. 2011, [online], [retrieved on Aug. 29, 2011]. Retrieved from Internet ,<URL: <http://www.gsmarena.com>>.*

Philips X800, announced May 2008, [online], [retrieved on May 14, 2008]. Retrieved from Internet ,<URL: <http://www.gsmarena.com>>.*

Samsung Epic 4G, announced Jun. 2010, [online], [retrieved on Feb. 1, 2011]. Retrieved from Internet ,<URL: <http://www.gsmarena.com>>.*

Samsung Google Nexus S, announced Dec. 2010, [online], [retrieved on Jan. 6, 2011]. Retrieved from Internet ,<URL: <http://www.gsmarena.com>>.*

Samsung Epic 4G—Sprint (Review), posted Sep. 2, 2010, [online], [retrieved on Sep. 19, 2011]. Retrieved from Internet ,<URL: <http://skattertech/2010/09/samsung-epic-4g-sprint-review/>>.*

* cited by examiner

FIG. 1

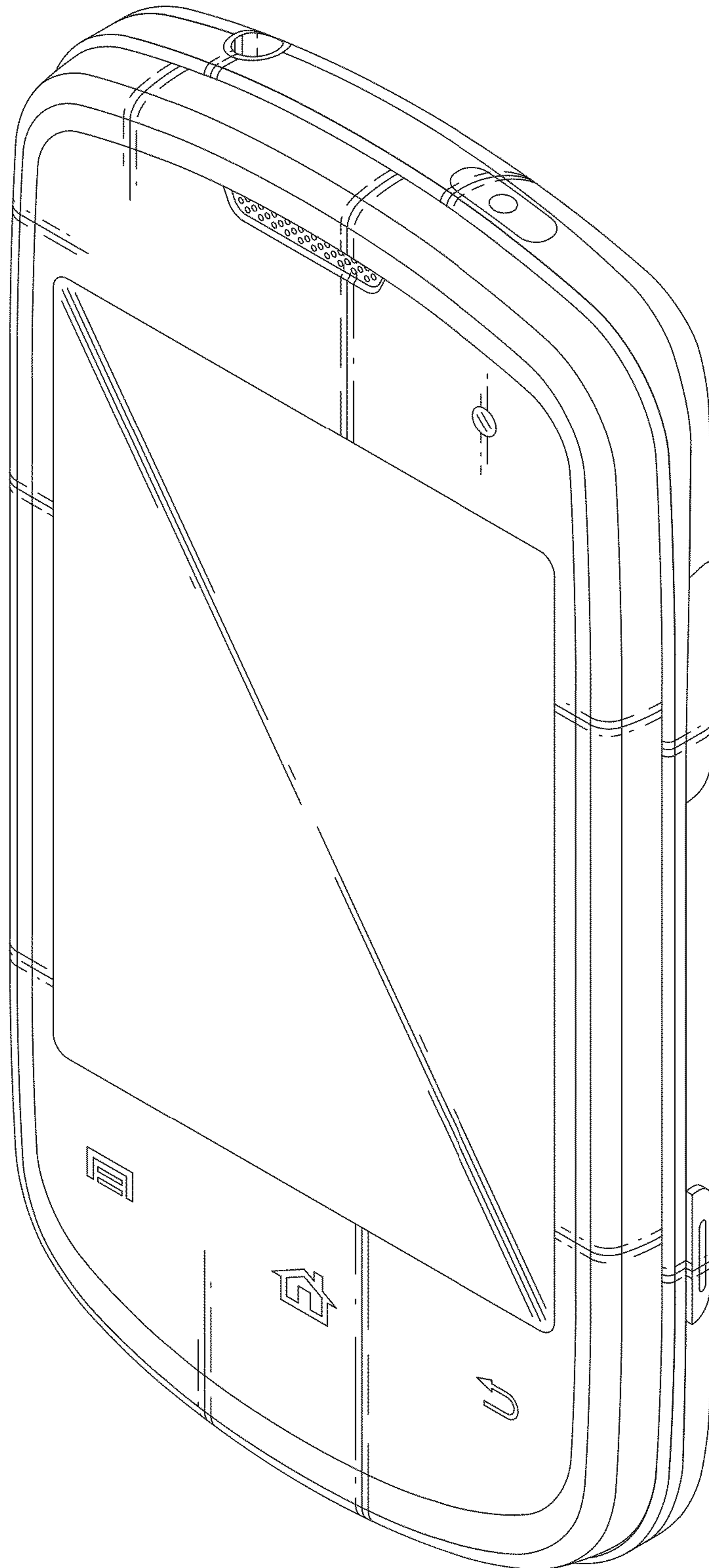


FIG. 2

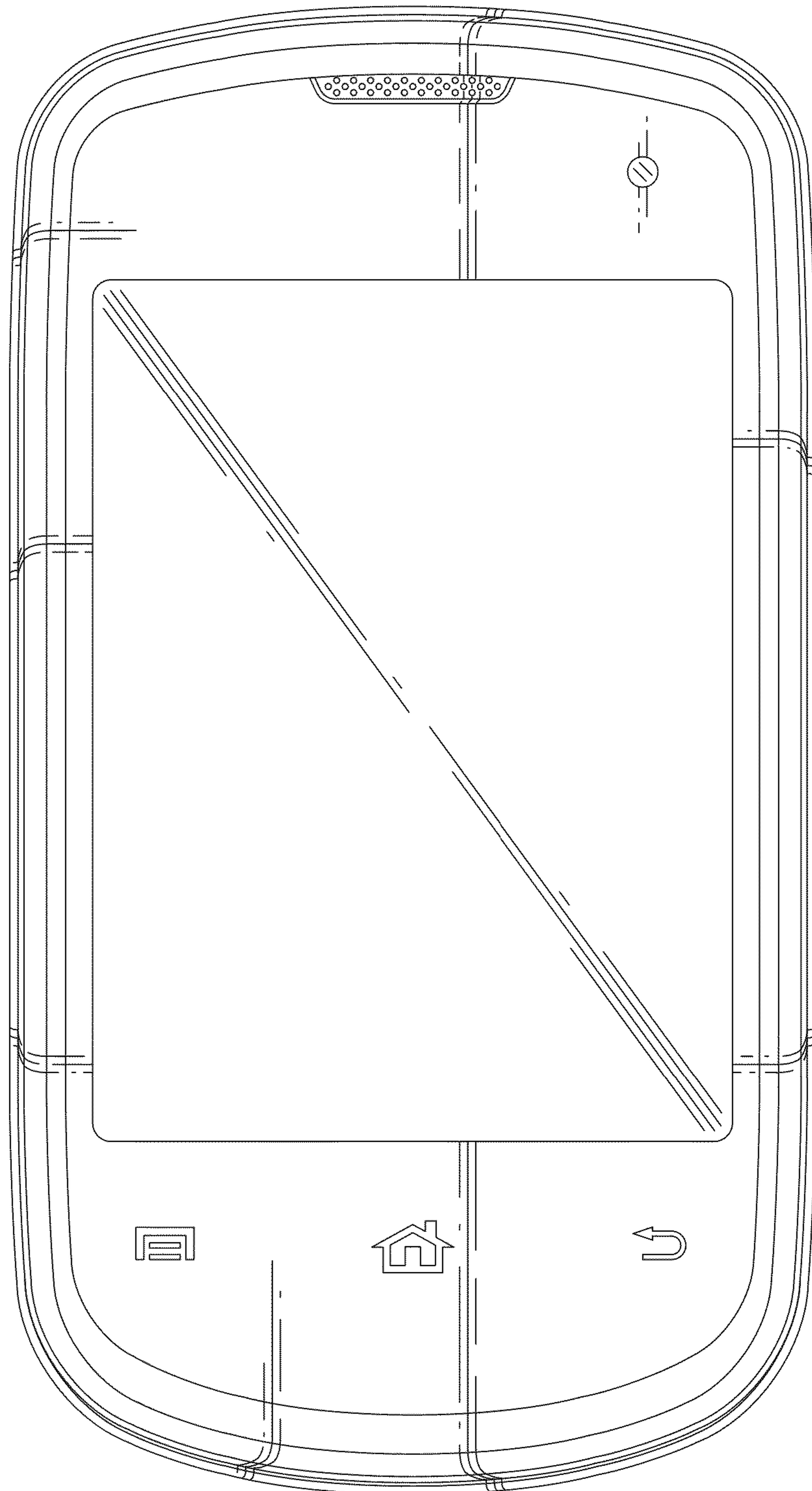


FIG. 3

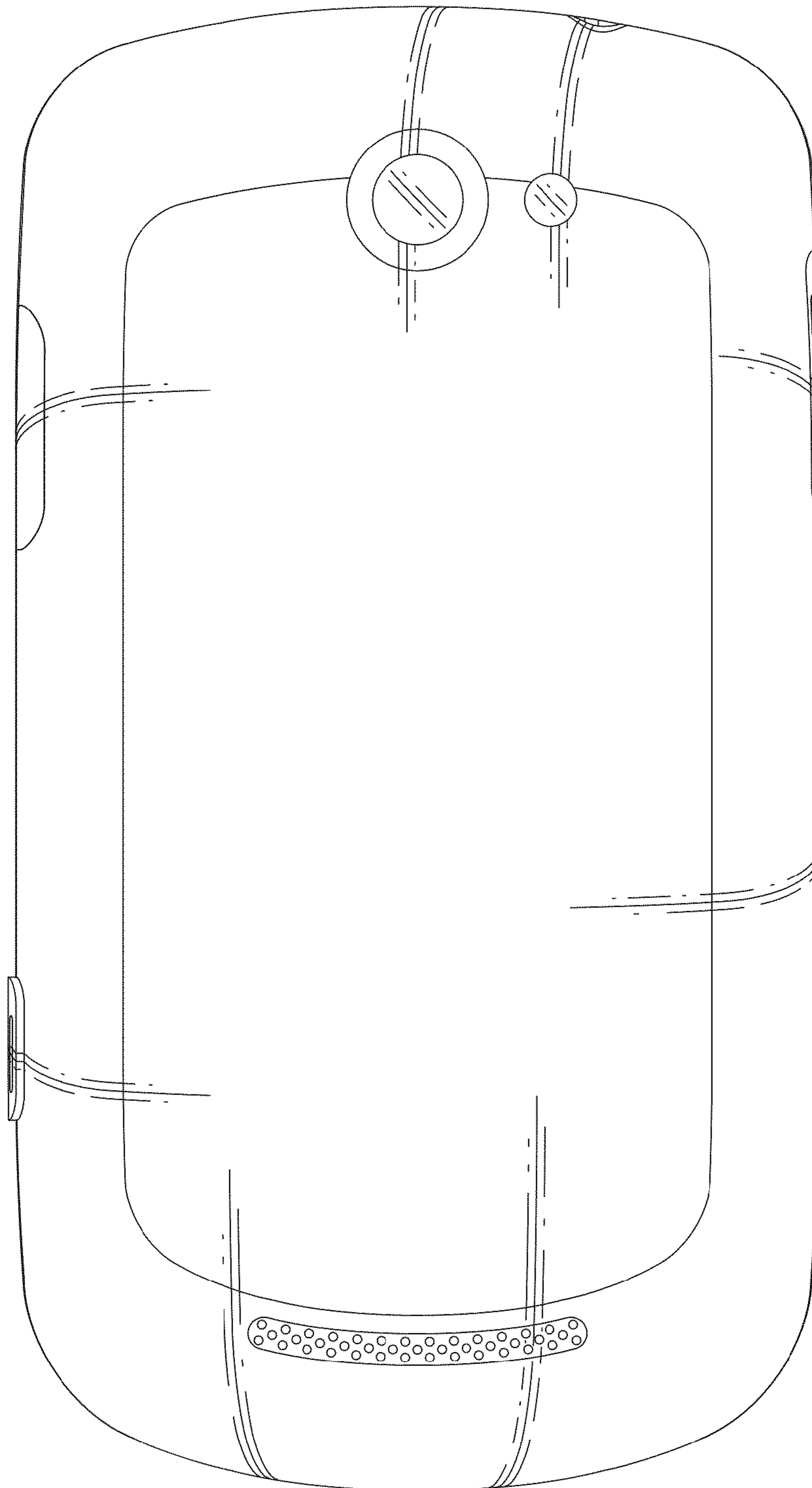


FIG. 4

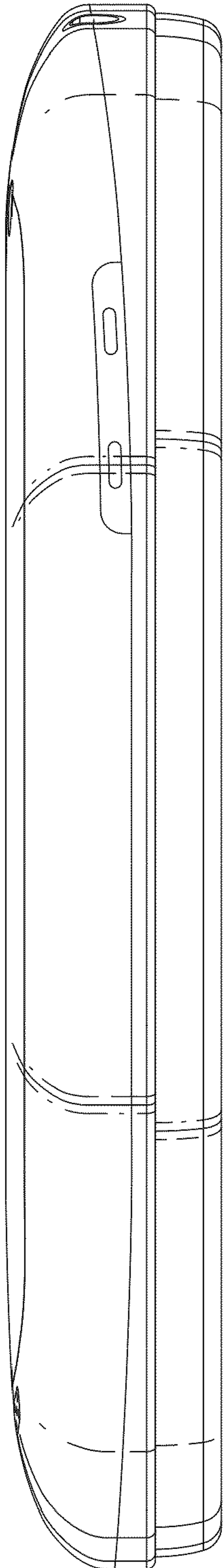


FIG. 5

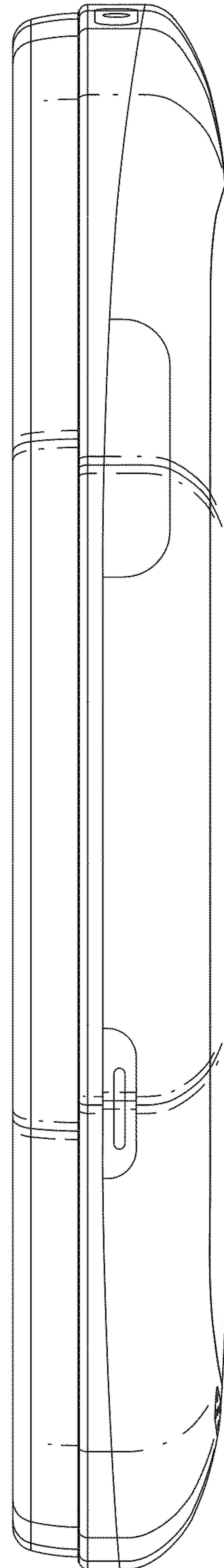


FIG. 6

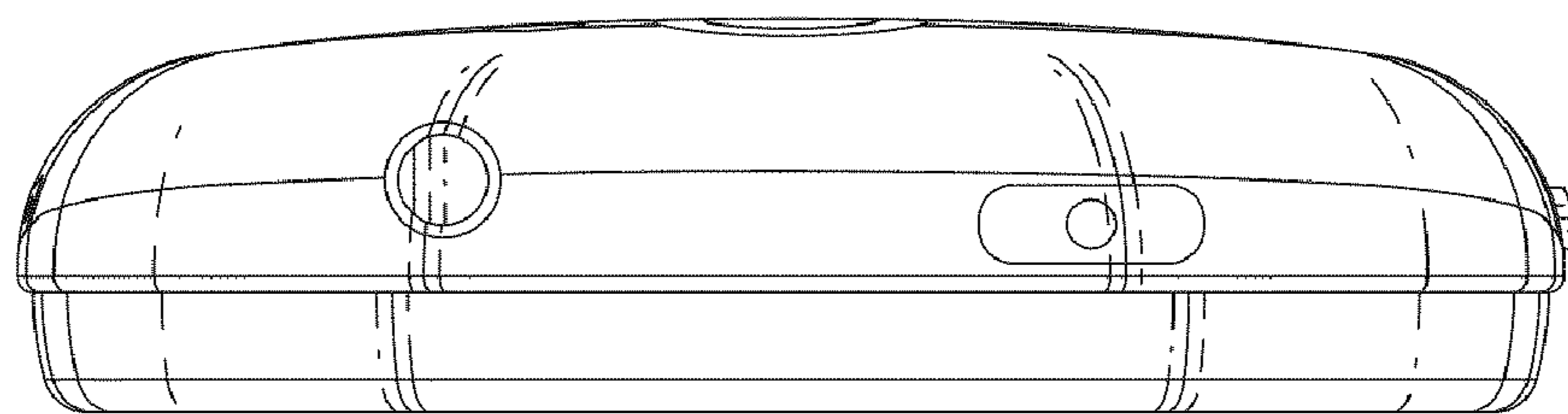


FIG. 7

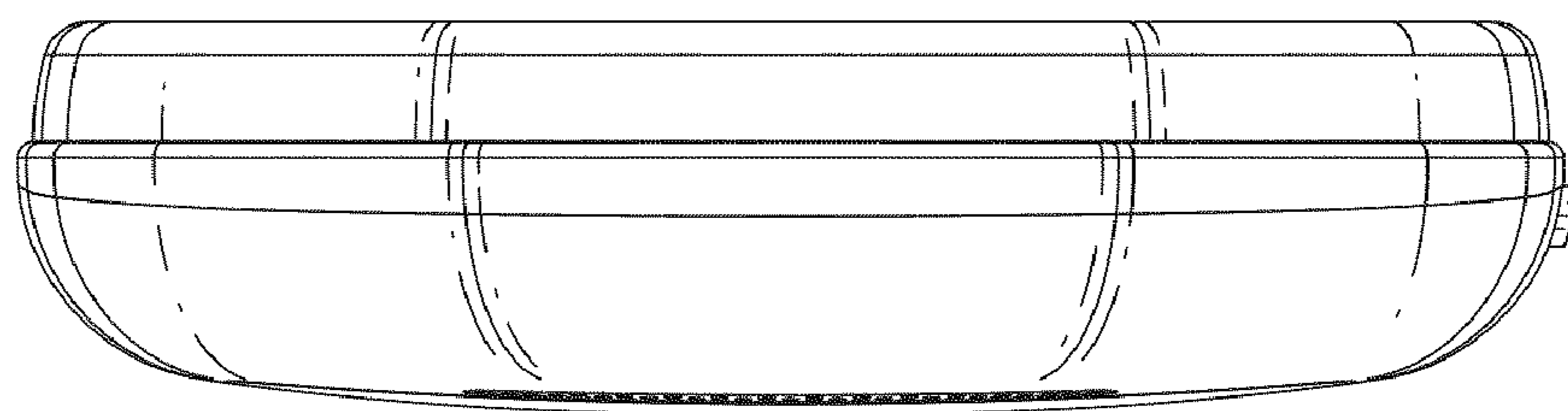


FIG. 8

