



US00D654039S

(12) **United States Design Patent**
Kim

(10) **Patent No.:** **US D654,039 S**

(45) **Date of Patent:** **** Feb. 14, 2012**

(54) **MOBILE PHONE**

(75) **Inventor:** **Nam-Su Kim**, Seoul (KR)

(73) **Assignee:** **Samsung Electronics Co., Ltd.** (KR)

(**) **Term:** **14 Years**

(21) **Appl. No.:** **29/387,222**

(22) **Filed:** **Mar. 10, 2011**

(30) **Foreign Application Priority Data**

Dec. 10, 2010 (KR) 30-2010-0053627

(51) **LOC (9) Cl.** **14-03**

(52) **U.S. Cl.** **D14/138 G**

(58) **Field of Classification Search** D14/138 R,
D14/138 AD, 138 AC, 138 C, 138 G, 191,
D14/203.1-203.8, 496, 138 AA, 138 AB,
D14/137, 147, 218, 341-347, 247-248; D10/65,
D10/78, 104; D13/168; D18/7; 455/566,
455/575.1, 575.3, 575.4

See application file for complete search history.

(56) **References Cited**

U.S. PATENT DOCUMENTS

D548,713 S *	8/2007	Lee et al.	D14/138 AD
D552,580 S *	10/2007	Mun	D14/138 AD
D558,720 S *	1/2008	Lee et al.	D14/138 AD
D560,193 S *	1/2008	Sung et al.	D14/138 AD
D563,933 S *	3/2008	Lee et al.	D14/138 AB
D580,396 S *	11/2008	Kang	D14/138 G
D581,894 S *	12/2008	Kim	D14/138 G
D594,433 S *	6/2009	Seo et al.	D14/138 AD
D595,682 S *	7/2009	Han et al.	D14/138 AD
D607,865 S *	1/2010	Lee et al.	D14/138 AD
D608,331 S *	1/2010	Kim et al.	D14/138 AC

D615,519 S *	5/2010	Kim et al.	D14/138 G
D618,200 S *	6/2010	Kim et al.	D14/138 AD
D619,556 S *	7/2010	Han et al.	D14/138 G
D619,984 S *	7/2010	Han et al.	D14/138 AD

(Continued)

OTHER PUBLICATIONS

Acer M900, announced Feb. 2009, [online], [retrieved on Oct. 28, 2009]. Retrieved from Internet ,<URL: <http://www.gsmarena.com>>.*

(Continued)

Primary Examiner — Bridget L Eland

(74) *Attorney, Agent, or Firm* — NSIP Law

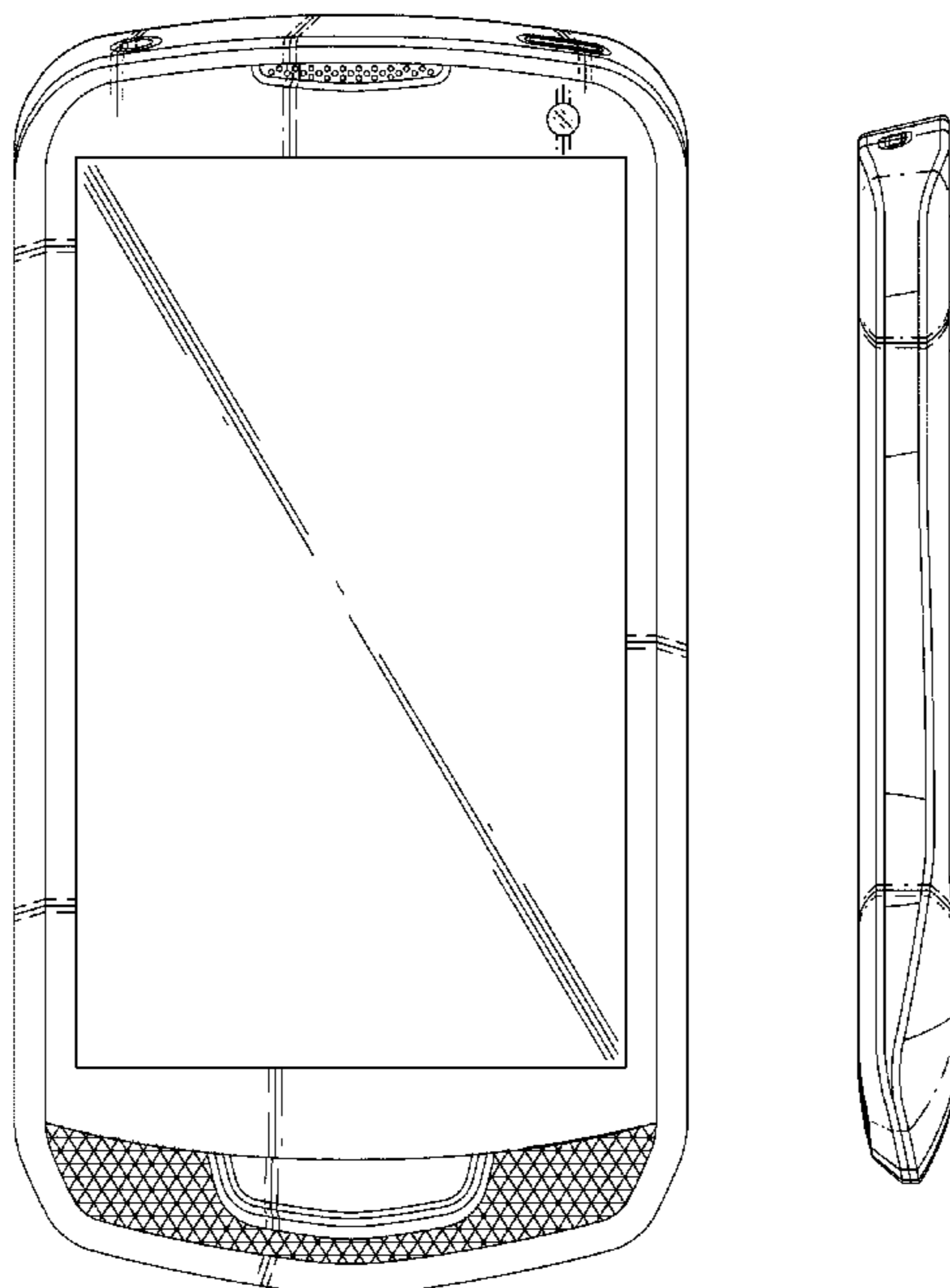
(57) **CLAIM**

The ornamental design for a mobile phone, as shown and described.

DESCRIPTION

FIG. 1 is a perspective view of a mobile phone;
FIG. 2 is a front view of the mobile phone of FIG. 1;
FIG. 3 is a rear view of the mobile phone of FIG. 1;
FIG. 4 is a left-side view of the mobile phone of FIG. 1;
FIG. 5 is a right-side view of the mobile phone of FIG. 1;
FIG. 6 is a top plan view of the mobile phone of FIG. 1;
FIG. 7 is a bottom plan view of the mobile phone of FIG. 1;
FIG. 8 is a partial enlarged view of FIG. 4 that is included to more clearly depict the design feature on the front of the mobile phone, as viewed from the left-side view (a-a', b-b', c-c' d-d') of FIG. 4; and,
FIG. 9 is a partial enlarged view of FIG. 6 that is included to more clearly depict the design on the back of the mobile phone, as viewed from the top plan view (1-1', 2-2', 3-3', 4-4') of FIG. 6.

1 Claim, 7 Drawing Sheets



US D654,039 S

Page 2

U.S. PATENT DOCUMENTS

D621,378 S * 8/2010 Kim et al. D14/138 AD
D629,776 S * 12/2010 Lee et al. D14/138 AD
D629,783 S * 12/2010 Kim et al. D14/138 G
D632,665 S * 2/2011 Kim et al. D14/138 G
D636,368 S * 4/2011 Kim D14/138 AD
D643,006 S * 8/2011 Han et al. D14/138 G
2006/0166713 A1 * 7/2006 Yeh et al. 455/575.1
2007/0218963 A1 * 9/2007 Kim 455/575.4
2008/0076480 A1 * 3/2008 Jeong et al. 455/566
2010/0099464 A1 * 4/2010 Kim 455/566
2011/0165914 A1 * 7/2011 Guo 455/566

OTHER PUBLICATIONS

Acer Android Phone, announced Nov. 2010, [online], [retrieved on Jan. 6, 2011]. Retrieved from Internet ,<URL: <http://www.gsmarena.com>>.*

Samsung 4G LTE, announced Jan. 2011, [online], [retrieved on Feb. 1, 2011]. Retrieved from Internet ,<URL: <http://www.gsmarena.com>>.*

* cited by examiner

FIG. 1

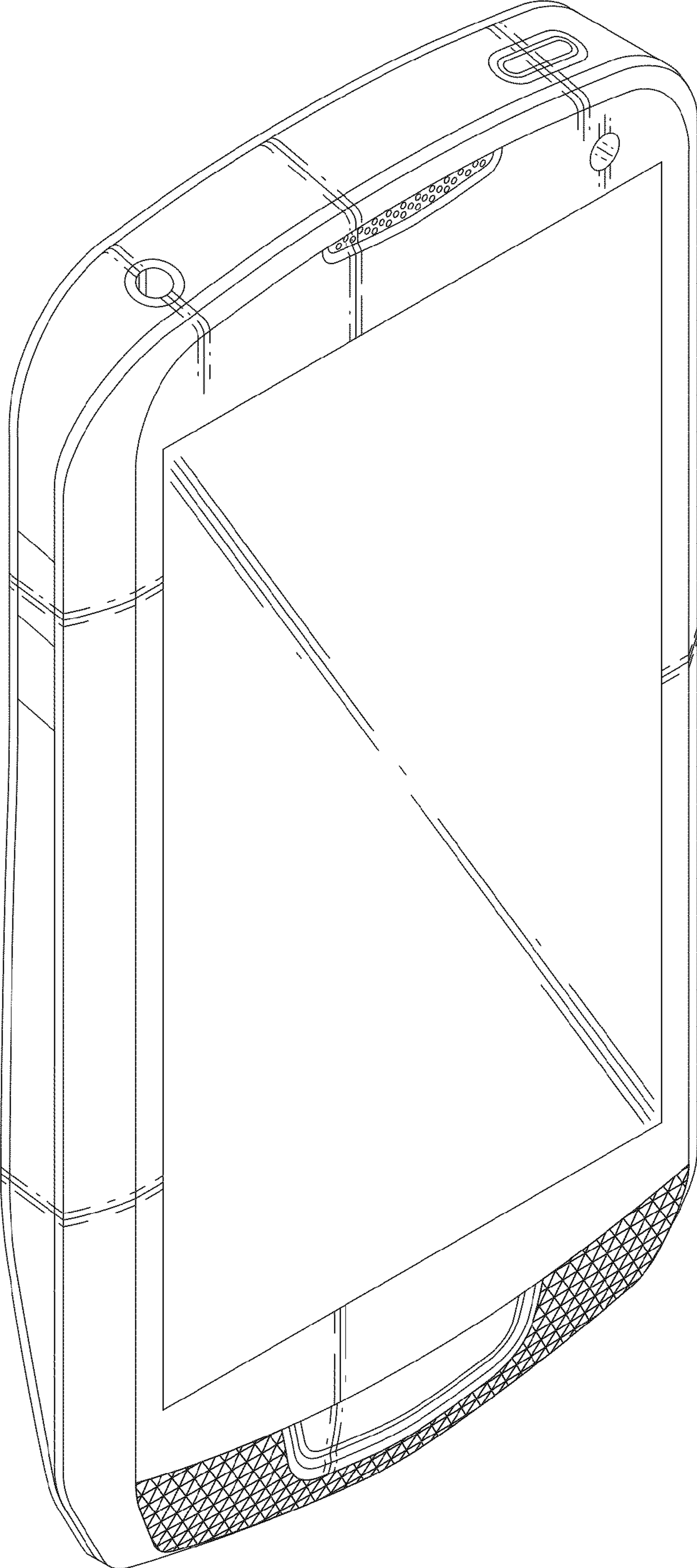


FIG. 2

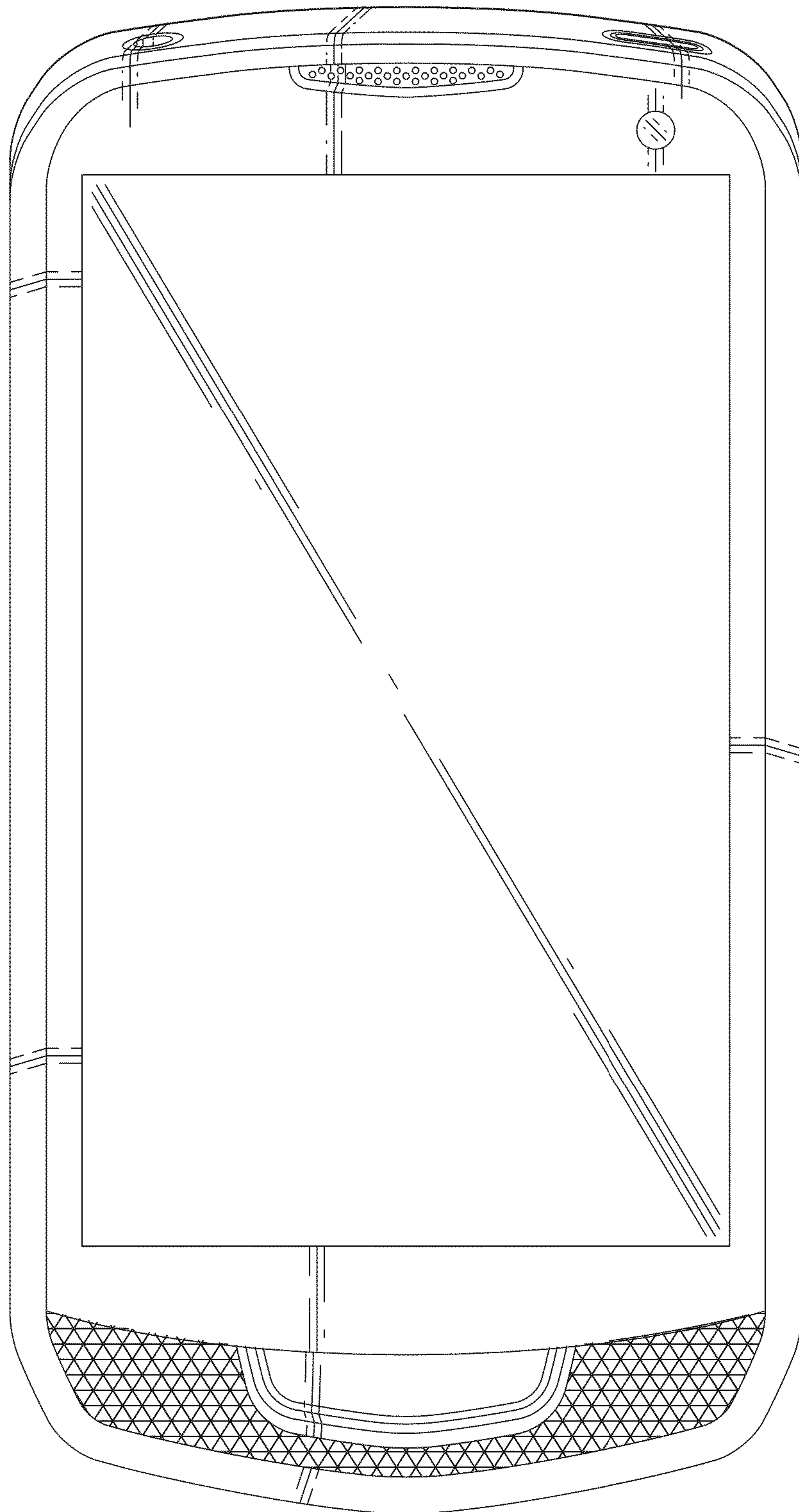


FIG. 3

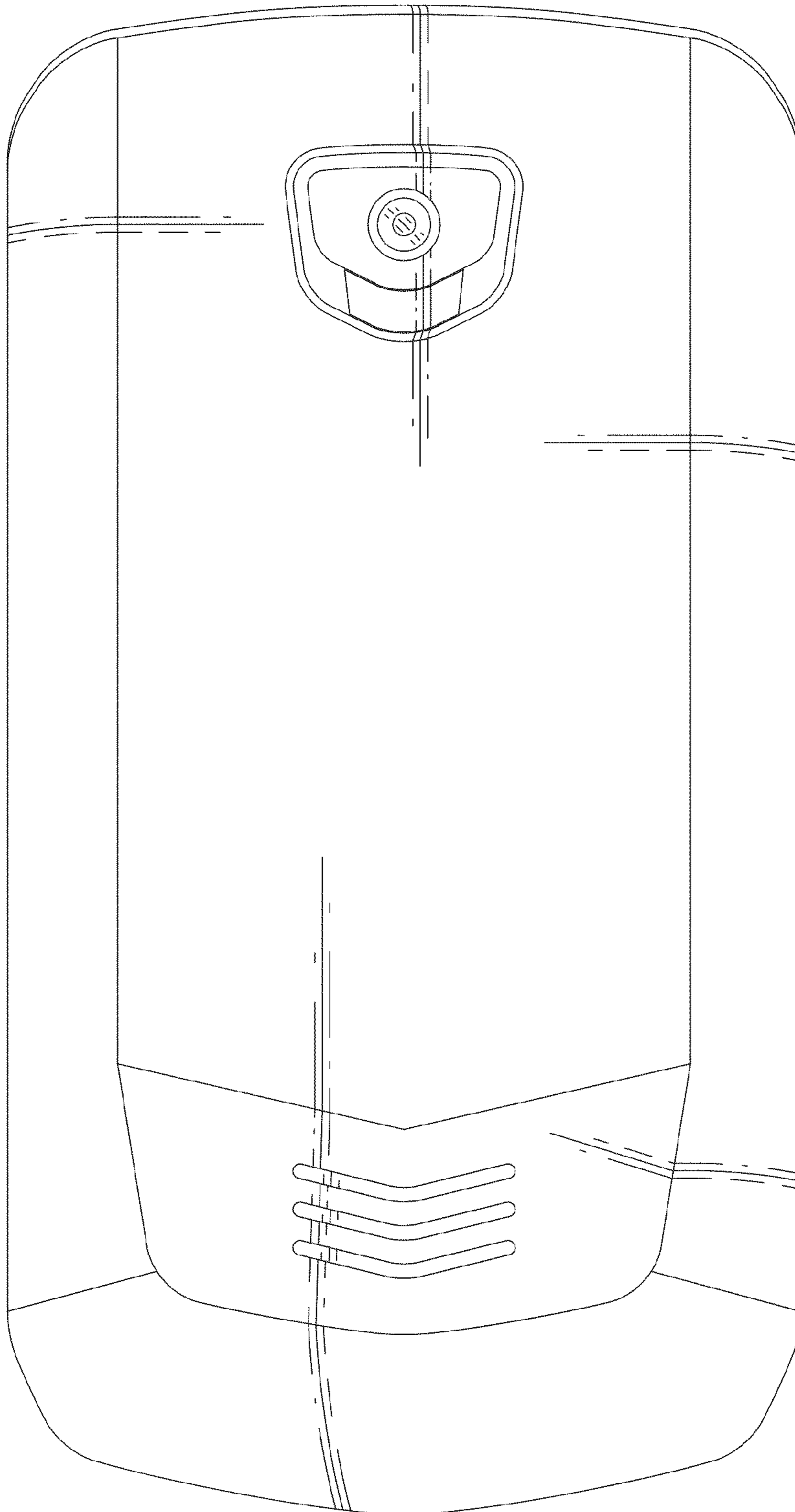


FIG. 4

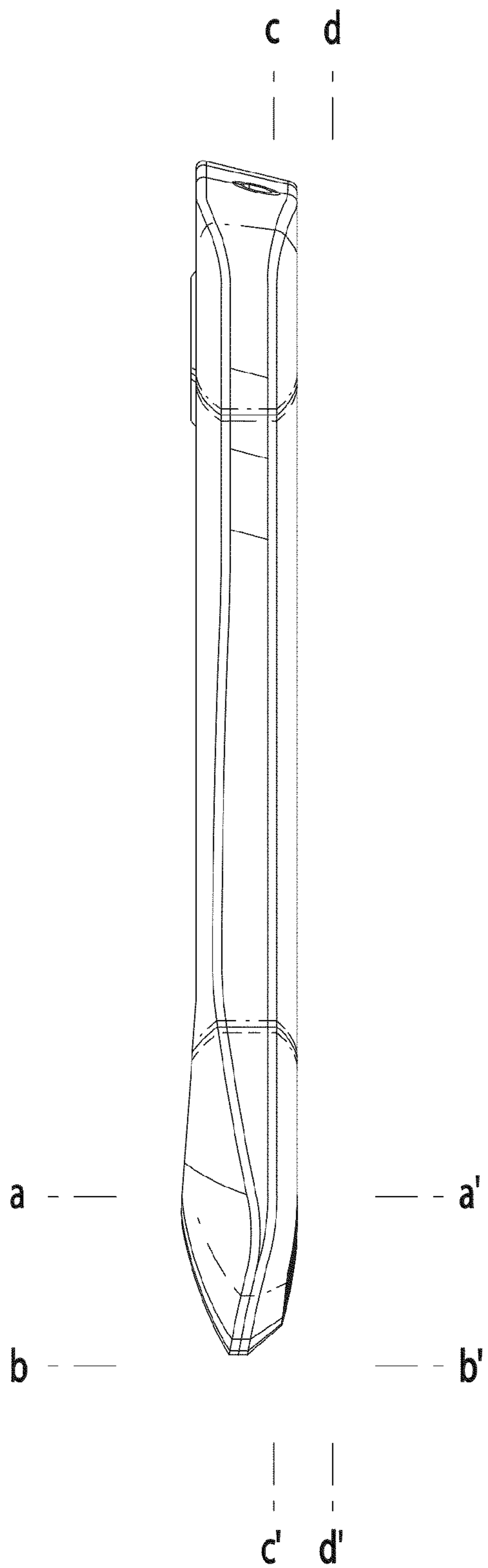


FIG. 5

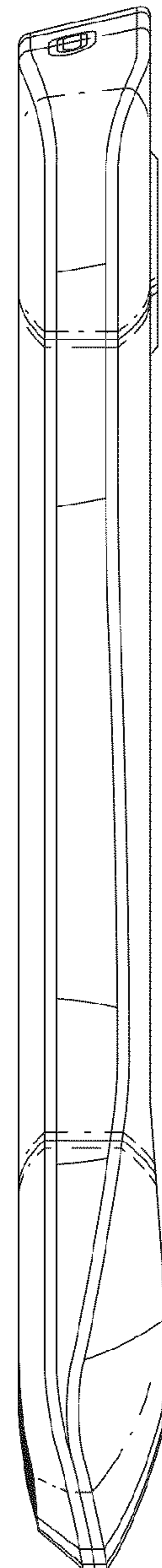


FIG. 6

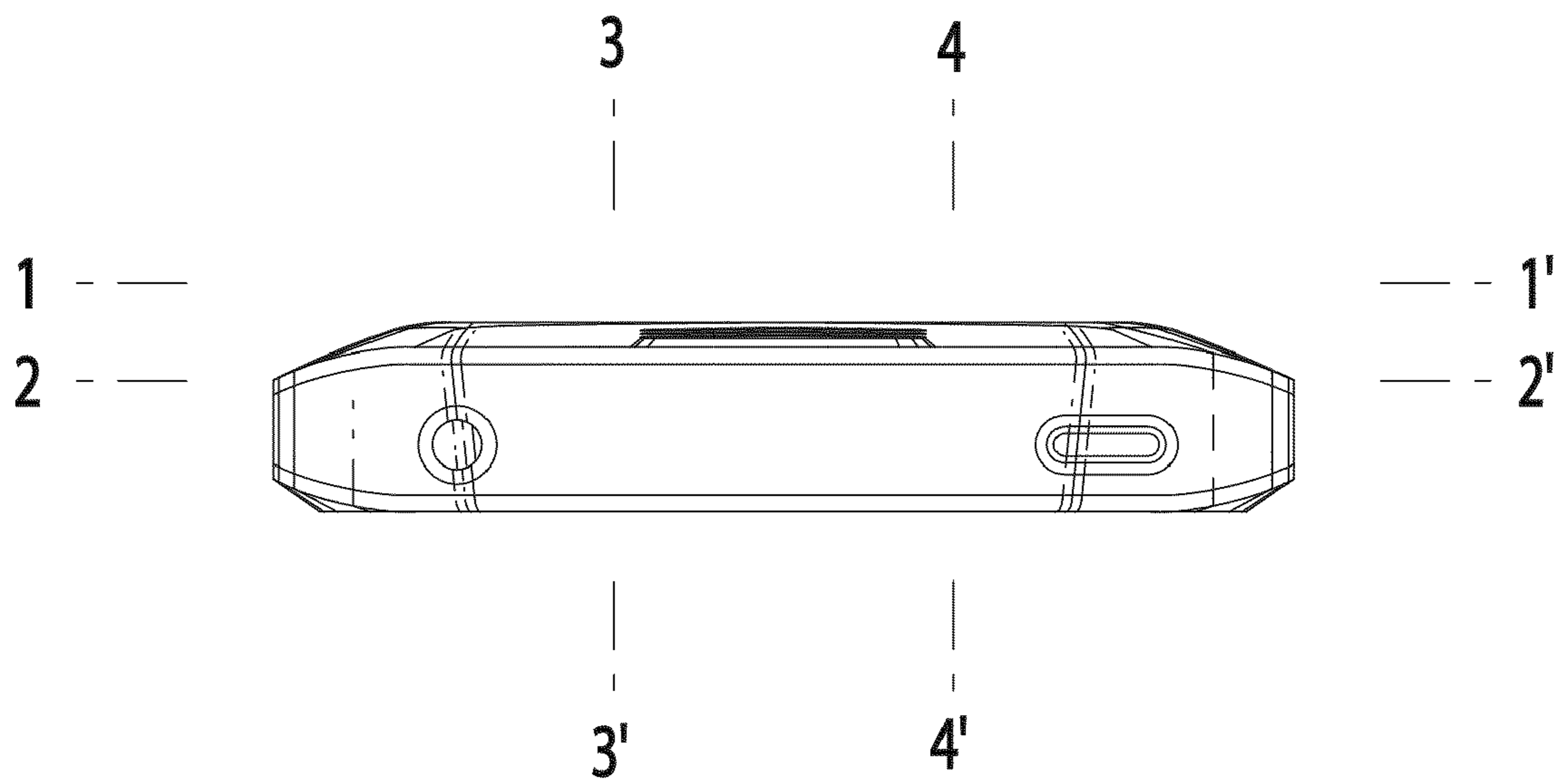


FIG. 7

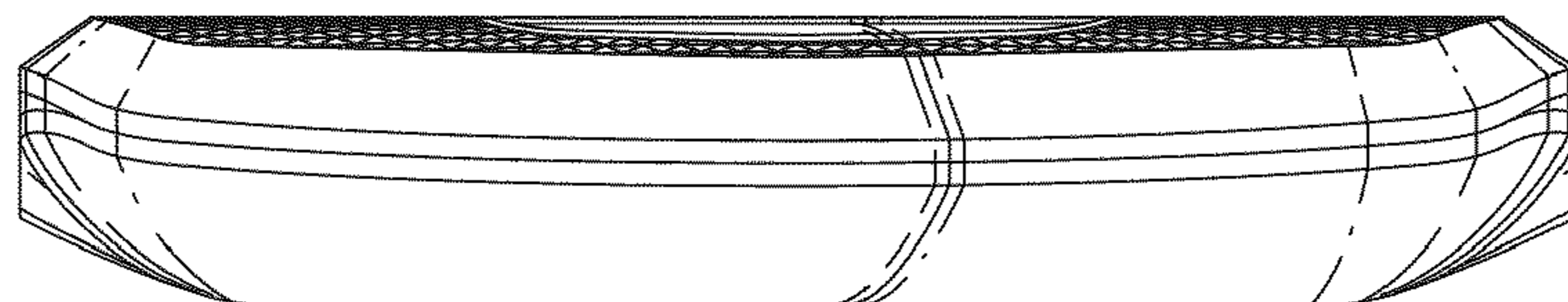


FIG. 8

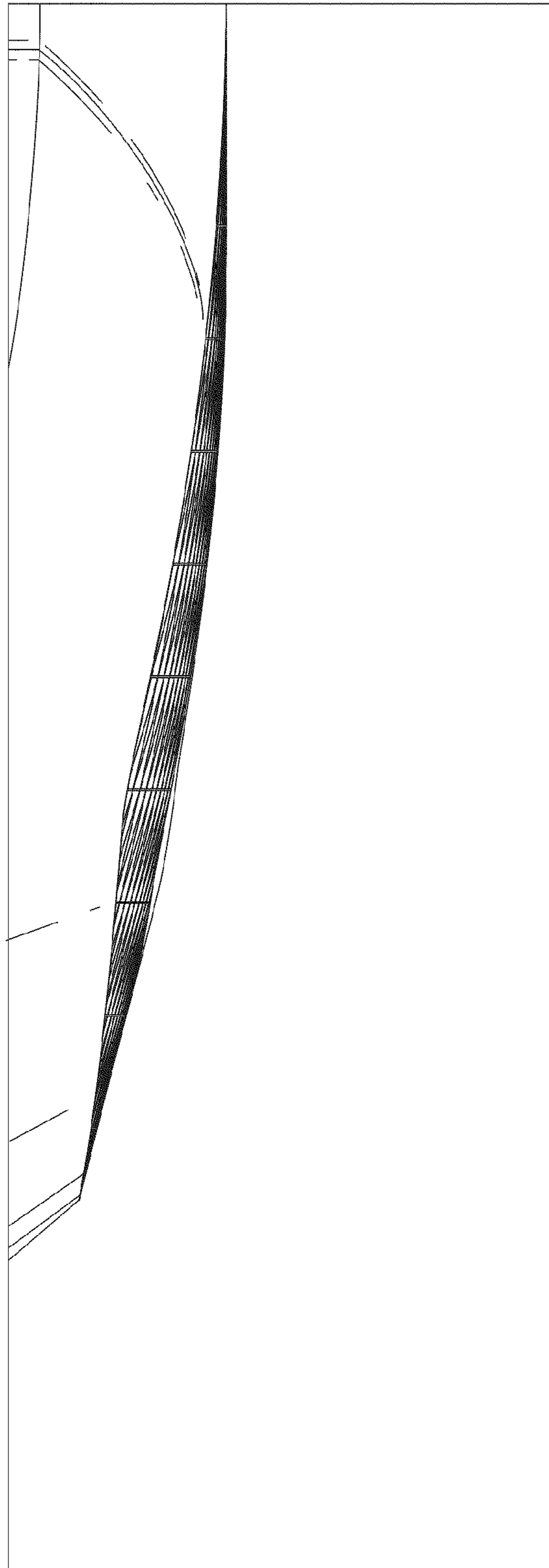


FIG. 9

