



US00D654029S

(12) **United States Design Patent**  
**Ozeki**

(10) **Patent No.:** **US D654,029 S**  
(45) **Date of Patent:** **\*\* Feb. 14, 2012**

(54) **ELECTRICAL CONNECTOR**

(75) Inventor: **Kosuke Ozeki**, Tokyo (JP)

(73) Assignee: **I-Pex Co., Ltd.** (JP)

(\*\*) Term: **14 Years**

(21) Appl. No.: **29/381,856**

(22) Filed: **Dec. 23, 2010**

(30) **Foreign Application Priority Data**

Jun. 25, 2010 (JP) ..... 2010-15529

(51) **LOC (9) Cl.** ..... **13-03**

(52) **U.S. Cl.** ..... **D13/147**

(58) **Field of Classification Search** ..... D13/147,  
D13/154, 184, 199; 439/64, 79, 159, 160,  
439/260, 278, 325, 328, 381, 395, 422, 492,  
439/630, 862, 892, 894

See application file for complete search history.

(56) **References Cited**

**U.S. PATENT DOCUMENTS**

D606,495 S *	12/2009	Hamauchi	.....	D13/147
D607,410 S *	1/2010	Ikari	.....	D13/147
D608,290 S *	1/2010	Ikari	.....	D13/147
D609,648 S *	2/2010	Kai et al.	.....	D13/147
D617,280 S *	6/2010	Yotsutani	.....	D13/147
D623,139 S *	9/2010	Nanao et al.	.....	D13/147
D626,079 S *	10/2010	Yotsutani	.....	D13/147
D629,360 S *	12/2010	Hayashi et al.	.....	D13/147
D629,759 S *	12/2010	Hara	.....	D13/147

**FOREIGN PATENT DOCUMENTS**

JP	D1156339	9/2002
JP	D1201844	2/2004
JP	D1267584	2/2006
JP	D1316780	11/2007
JP	D1383814	2/2010
JP	D1395401	7/2010
JP	D1395594	7/2010
JP	D1397339	8/2010
JP	D1397345	8/2010

\* cited by examiner

*Primary Examiner* — Daniel Bui

(74) *Attorney, Agent, or Firm* — Studebaker & Brackett PC;  
Donald R. Studebaker

(57) **CLAIM**

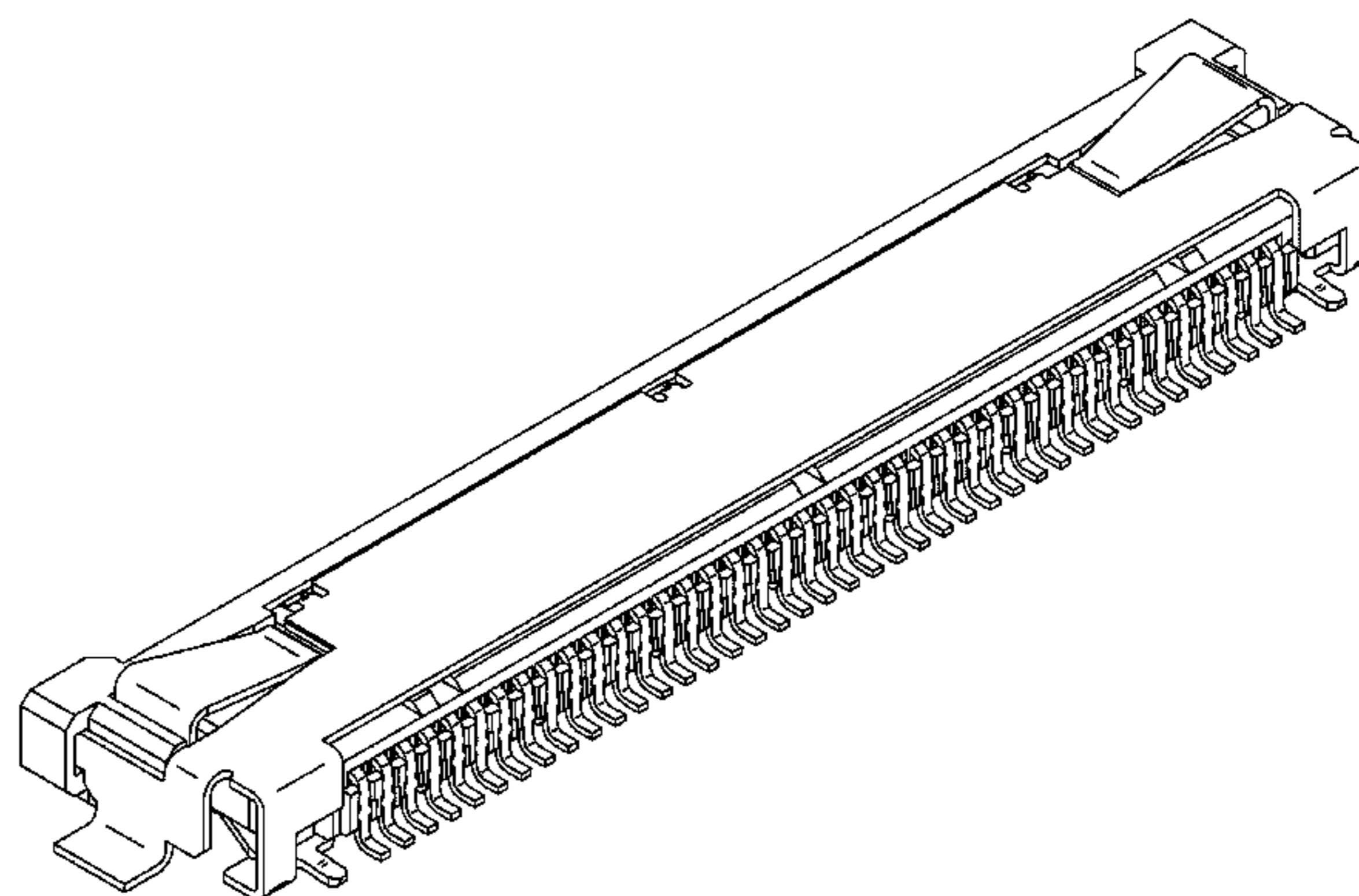
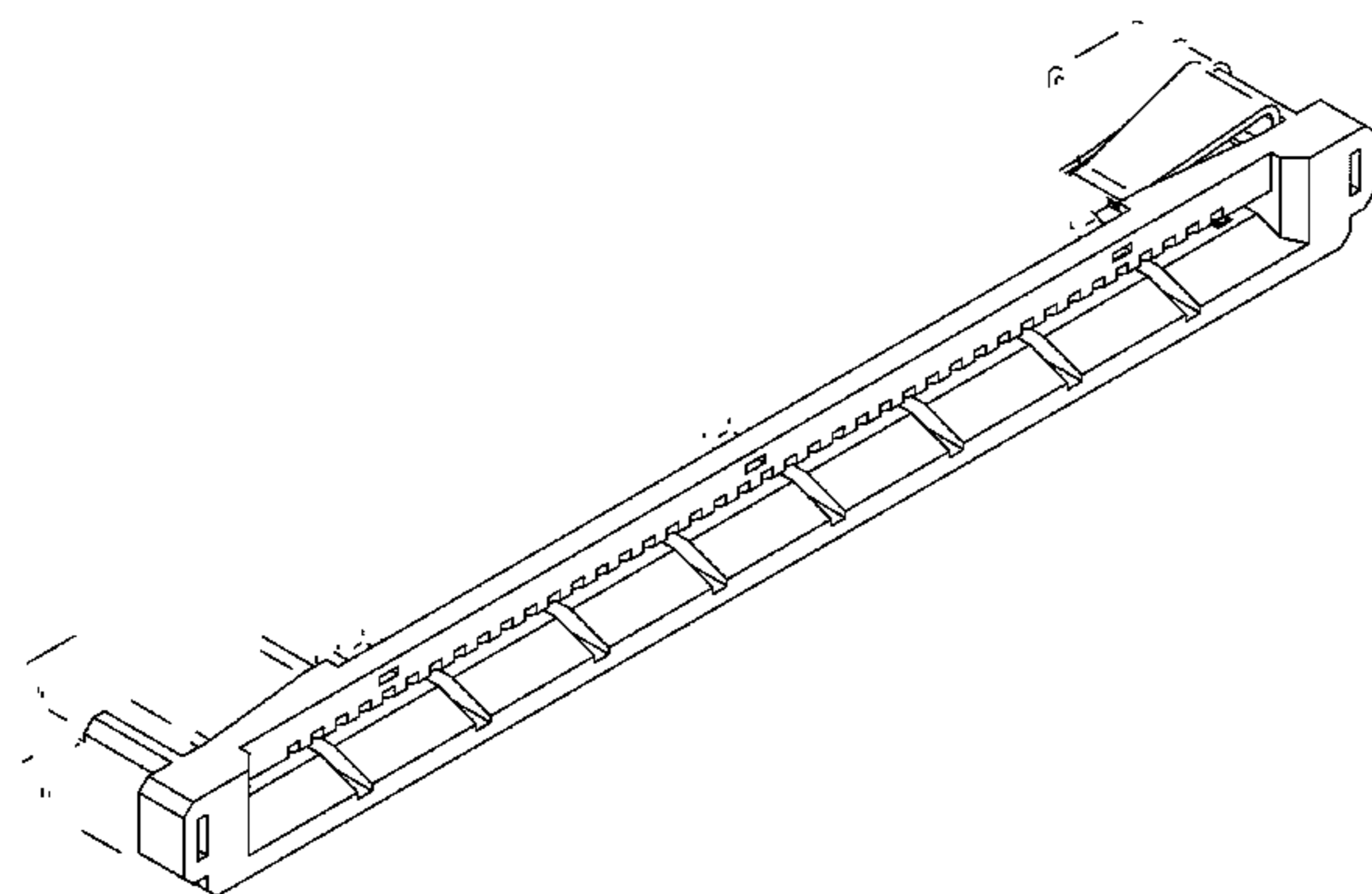
The ornamental design for an electrical connector, as shown and described.

**DESCRIPTION**

FIG. 1 is a front, top and left side perspective view of an electrical connector showing my new design;  
FIG. 2 is a rear, top and left side perspective view thereof;  
FIG. 3 is a front, top and right side perspective view thereof, in use condition;  
FIG. 4 is a top plan view thereof;  
FIG. 5 is a front view thereof;  
FIG. 6 is a bottom plan view thereof;  
FIG. 7 is a rear view thereof; and,  
FIG. 8 is a right side view thereof, the left side view is a mirror image thereto.

The broken line shown in the figure drawings is included for the purpose of illustrating environment and forms no part of the claimed design.

**1 Claim, 6 Drawing Sheets**



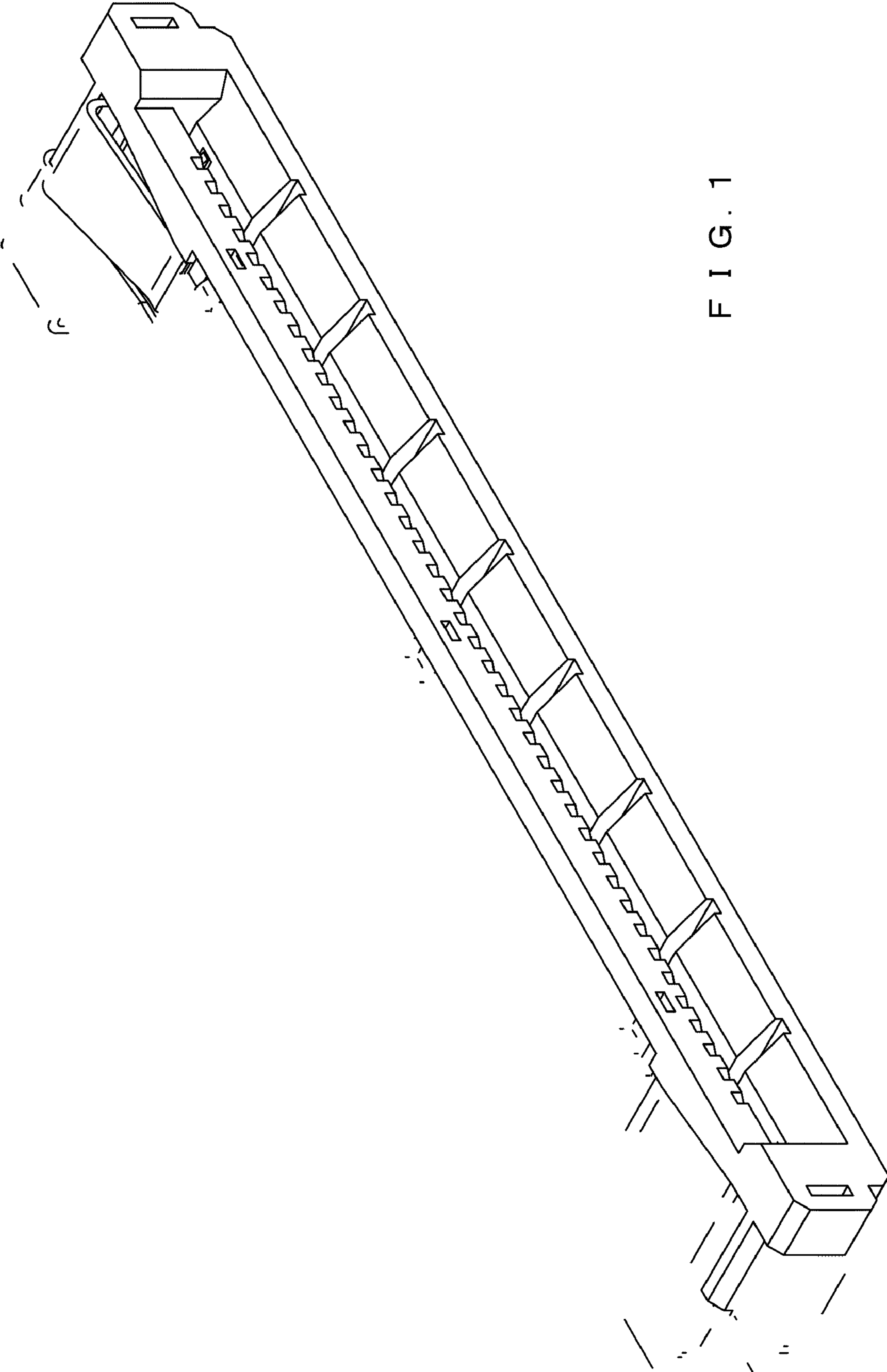


FIG. 1

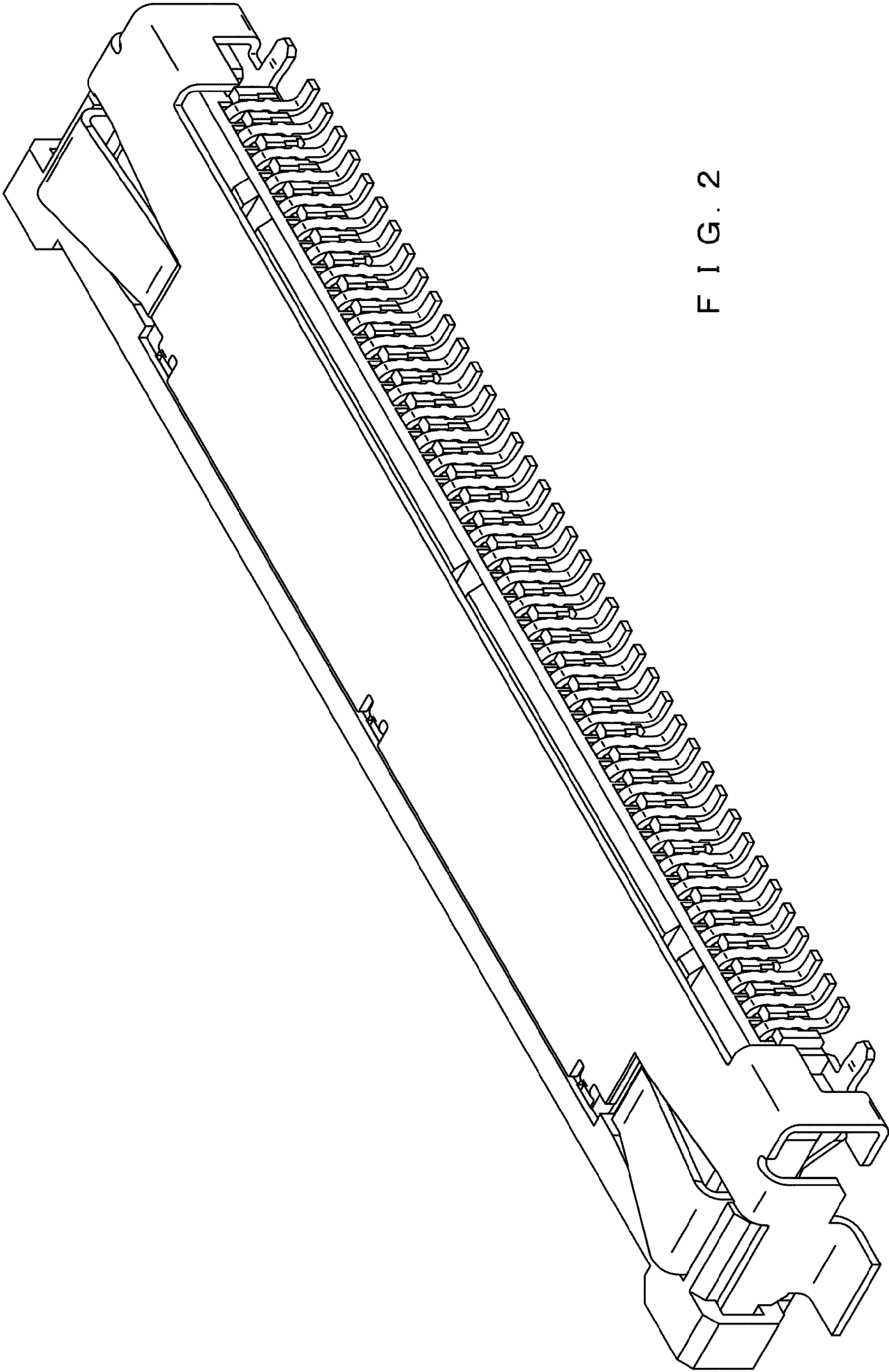


FIG. 2



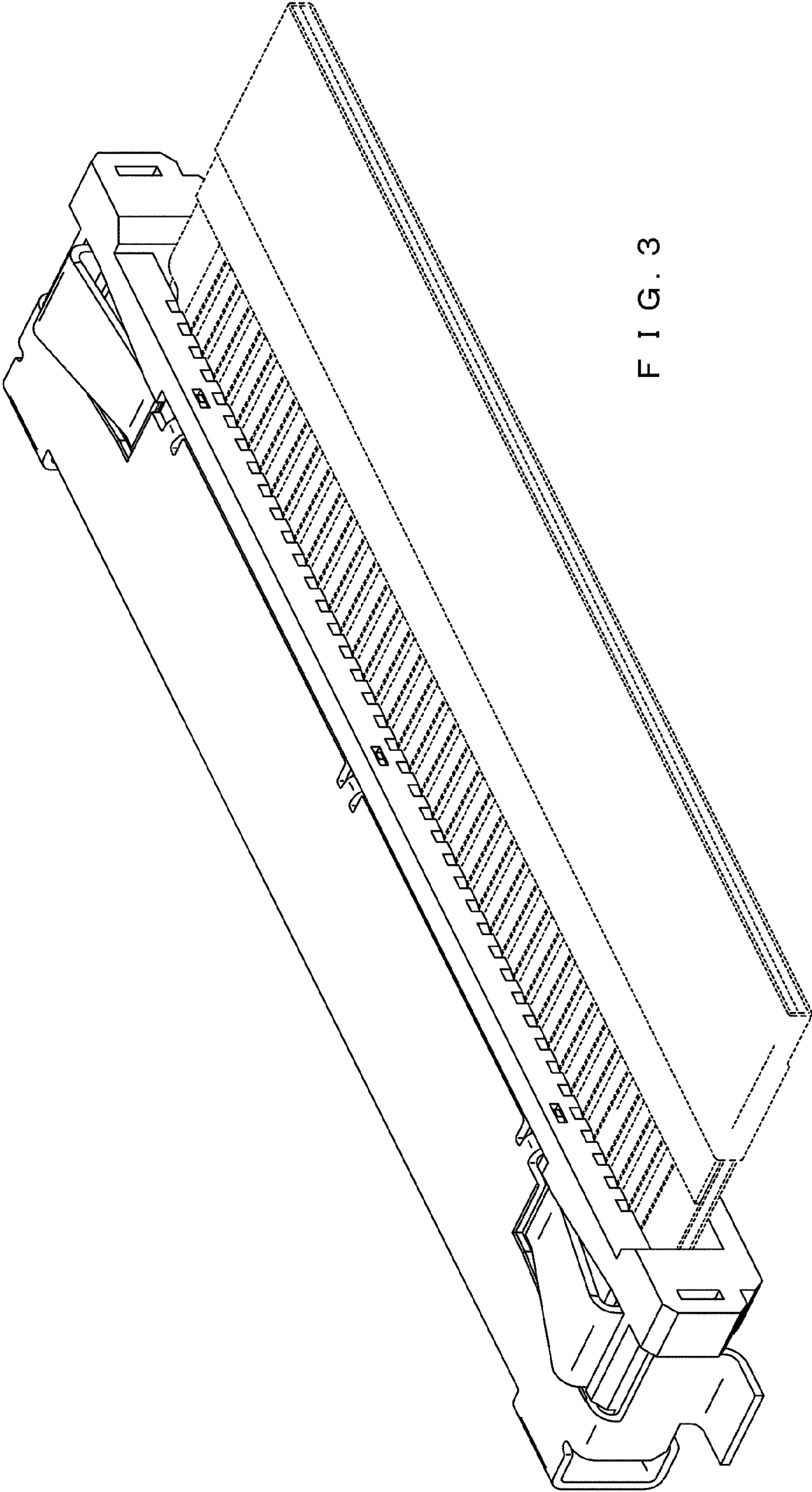


FIG. 3

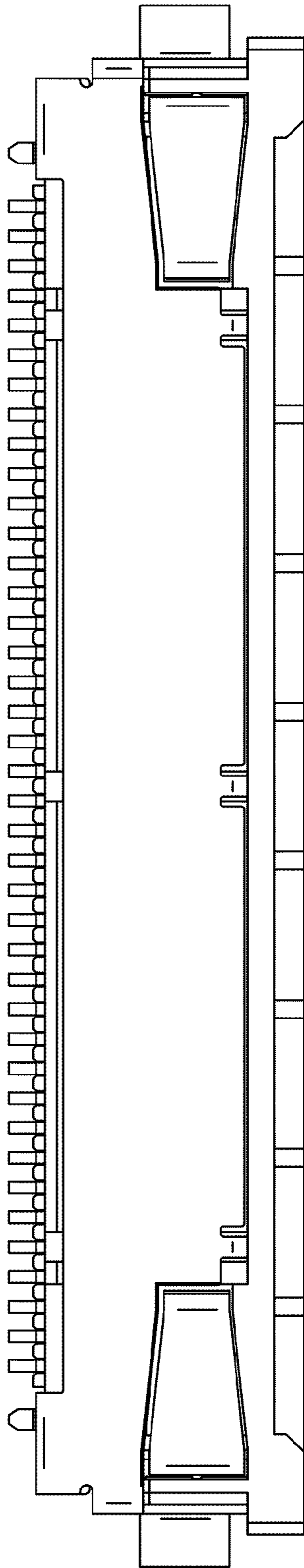


FIG. 4

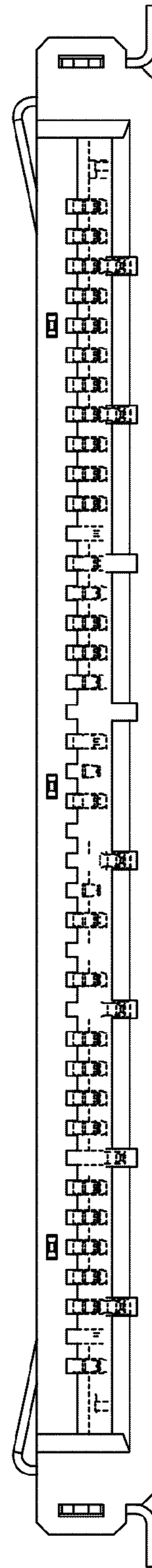


FIG. 5

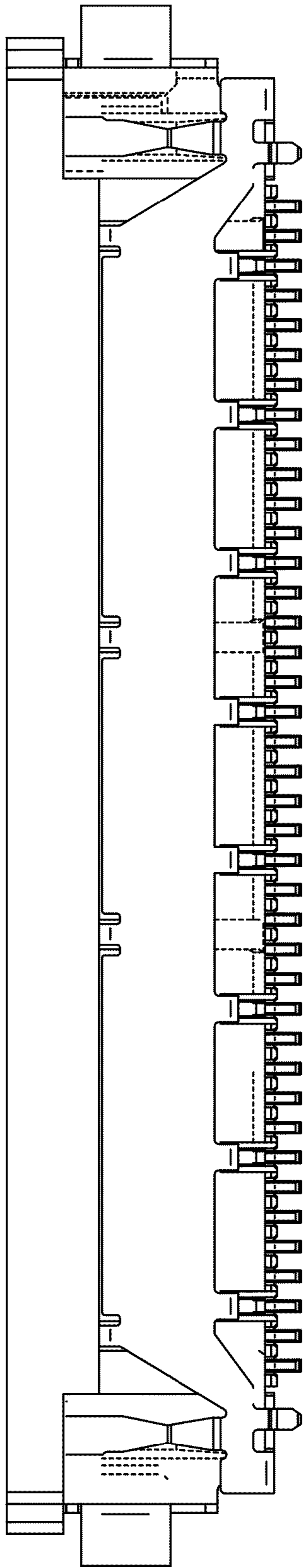


FIG. 6

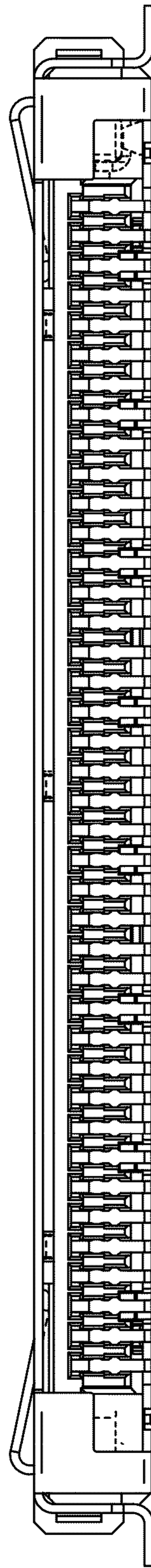


FIG. 7

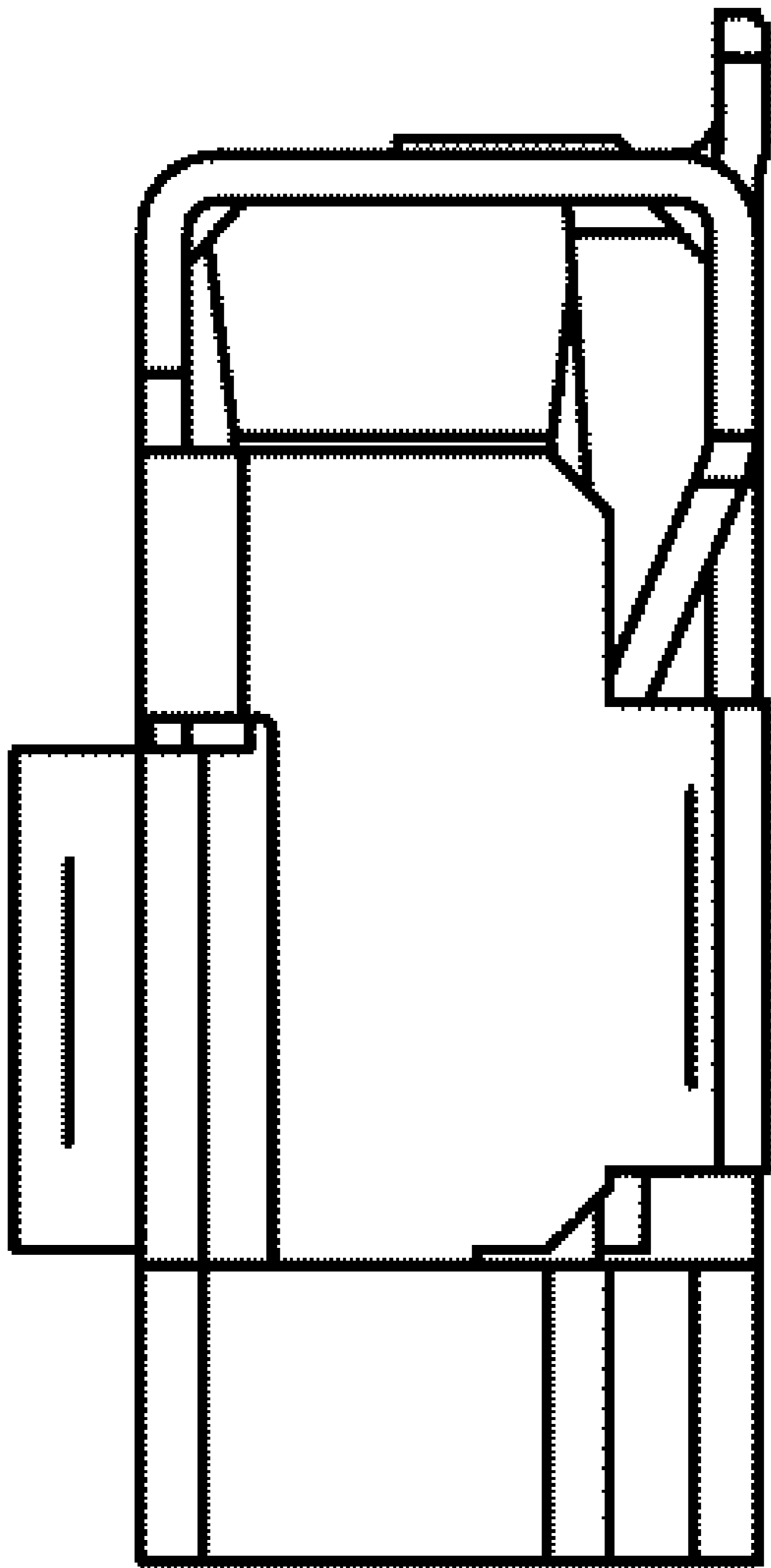


FIG. 8

UNITED STATES PATENT AND TRADEMARK OFFICE  
**CERTIFICATE OF CORRECTION**

PATENT NO. : D654,029 S  
APPLICATION NO. : 29/381856  
DATED : July 17, 2012  
INVENTOR(S) : Kosuke Ozeki

Page 1 of 3

It is certified that error appears in the above-identified patent and that said Letters Patent is hereby corrected as shown below:

The title page should be deleted to appear as per attached title page.

The sheet of drawing consisting of Figure 1 should be deleted to appear as per attached Figure 1.

Signed and Sealed this  
Sixth Day of November, 2012

A handwritten signature in black ink that reads "David J. Kappos". The signature is written in a cursive, slightly slanted style.

David J. Kappos  
*Director of the United States Patent and Trademark Office*



(12) **United States Design Patent**  
**Ozeki**

(10) **Patent No.:** **US D654,029 S**

(45) **Date of Patent:** **\*\* Feb. 14, 2012**

(54) **ELECTRICAL CONNECTOR**

(75) **Inventor:** **Kosuke Ozeki, Tokyo (JP)**

(73) **Assignee:** **I-Pex Co., Ltd. (JP)**

(\*\*) **Term:** **14 Years**

(21) **Appl. No.:** **29/381,856**

(22) **Filed:** **Dec. 23, 2010**

(30) **Foreign Application Priority Data**

Jun. 25, 2010 (JP) ..... 2010-15529

(51) **I.O.C. (9) Cl.** ..... **13-03**

(52) **U.S. Cl.** ..... **D13/147**

(58) **Field of Classification Search** ..... D13/147,  
D13/154, 184, 199; 439/64, 79, 159, 160,  
439/260, 278, 325, 328, 381, 395, 422, 492,  
439/630, 862, 892, 894

See application file for complete search history.

(56) **References Cited**

**U.S. PATENT DOCUMENTS**

D606,495 S *	12/2009	Hamauchi	D13/147
D607,410 S *	1/2010	Ikari	D13/147
D608,290 S *	1/2010	Ikari	D13/147
D609,648 S *	2/2010	Kai et al.	D13/147
D617,280 S *	6/2010	Yotsutani	D13/147
D623,139 S *	9/2010	Nanao et al.	D13/147
D626,079 S *	10/2010	Yotsurani	D13/147
D629,360 S *	12/2010	Hayashi et al.	D13/147
D629,759 S *	12/2010	Hara	D13/147

**FOREIGN PATENT DOCUMENTS**

JP	D1156339	9/2002
JP	D1201844	2/2004
JP	D1267584	2/2006
JP	D1316780	11/2007
JP	D1383814	2/2010
JP	D1395401	7/2010
JP	D1395594	7/2010
JP	D1397339	8/2010
JP	D1397345	8/2010

\* cited by examiner

*Primary Examiner* — Daniel Bui

(74) *Attorney, Agent, or Firm* — Studebaker & Brackett PC;  
Donald R. Studebaker

(57) **CLAIM**

The ornamental design for an electrical connector, as shown and described.

**DESCRIPTION**

FIG. 1 is a front, top and left side perspective view of an electrical connector showing my new design;

FIG. 2 is a rear, top and left side perspective view thereof;

FIG. 3 is a front, top and right side perspective view thereof, in use condition;

FIG. 4 is a top plan view thereof;

FIG. 5 is a front view thereof;

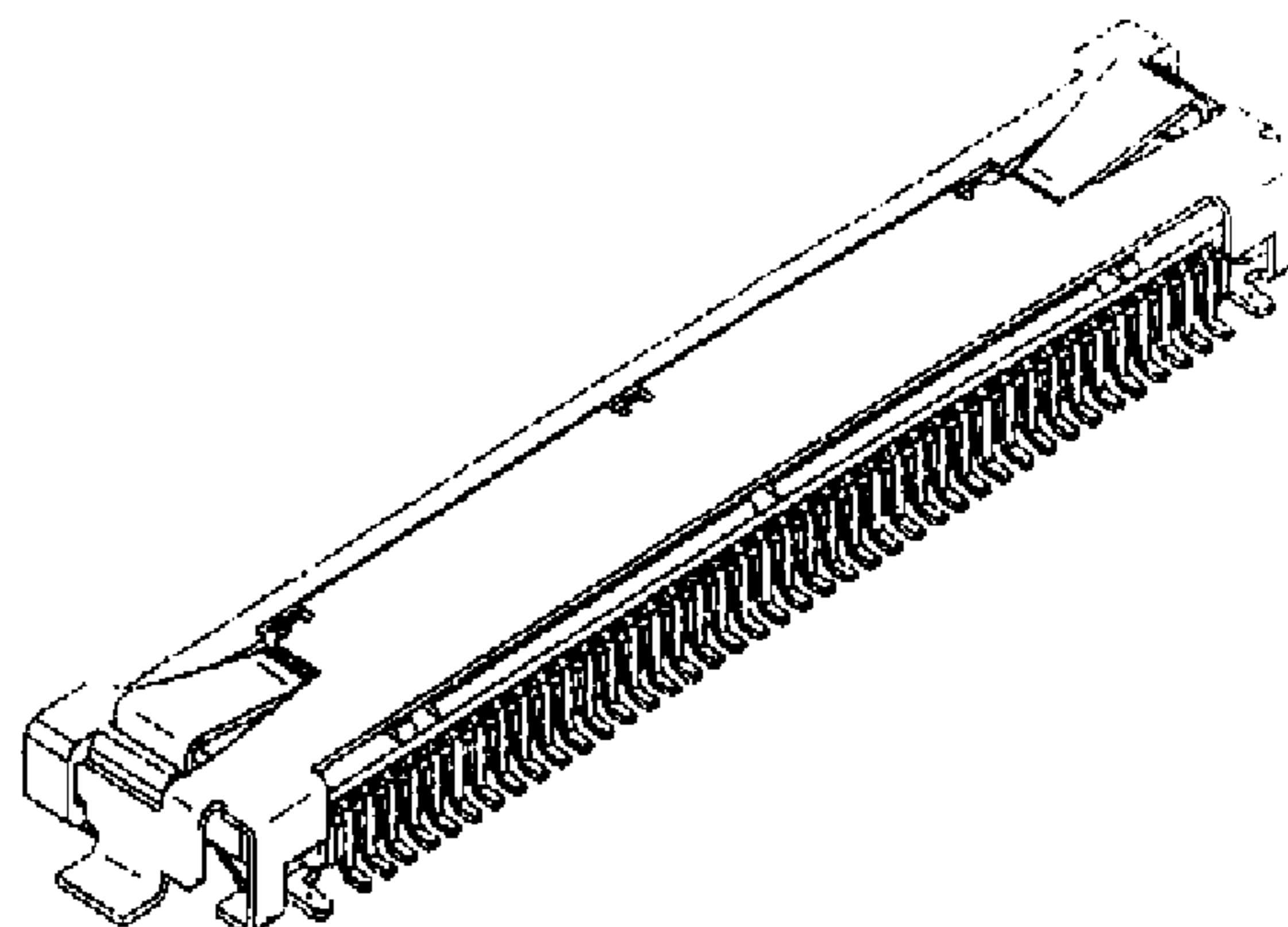
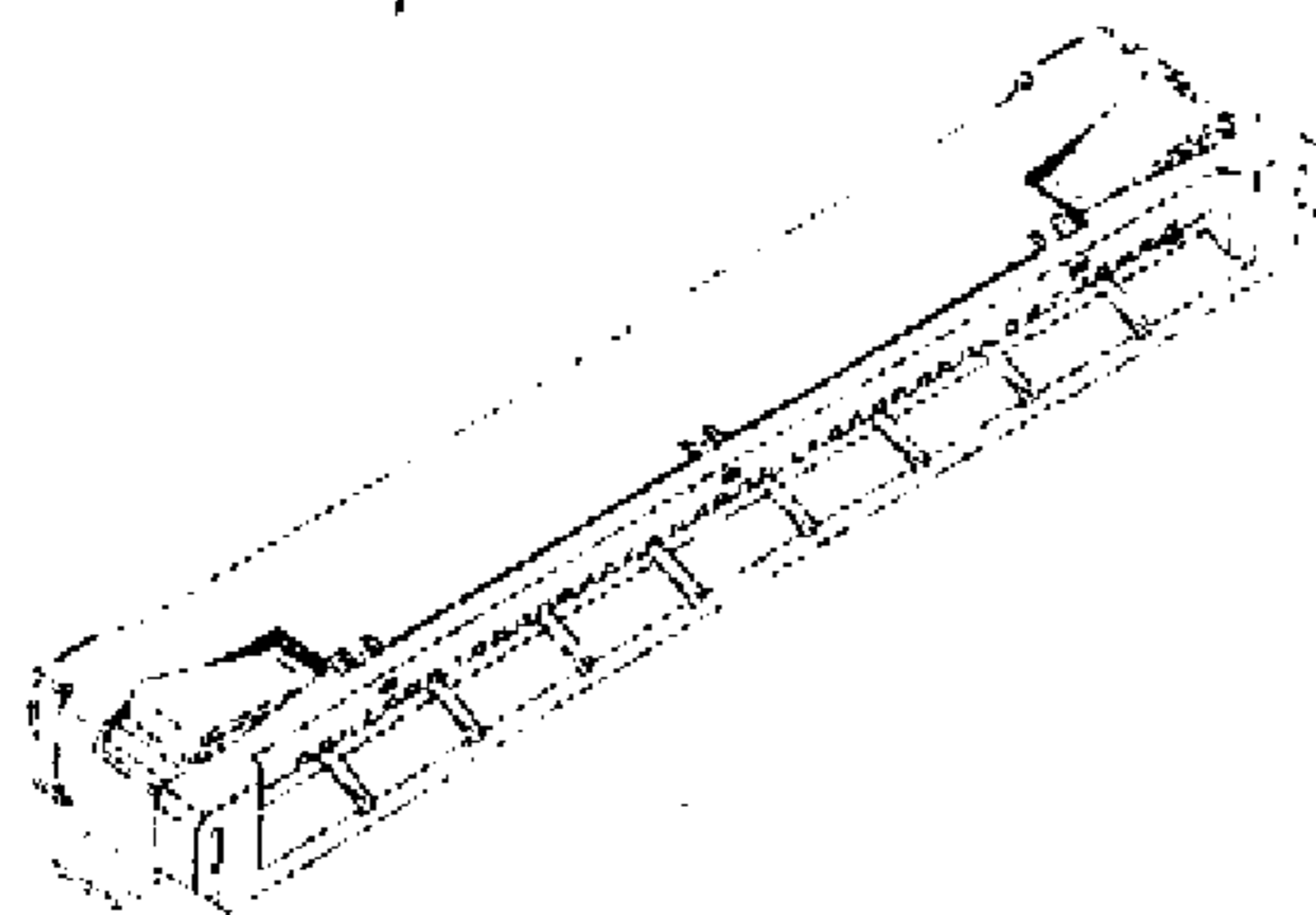
FIG. 6 is a bottom plan view thereof;

FIG. 7 is a rear view thereof; and,

FIG. 8 is a right side view thereof, the left side view is a mirror image thereto.

The broken line shown in the figure drawings is included for the purpose of illustrating environment and forms no part of the claimed design.

**1 Claim, 6 Drawing Sheets**



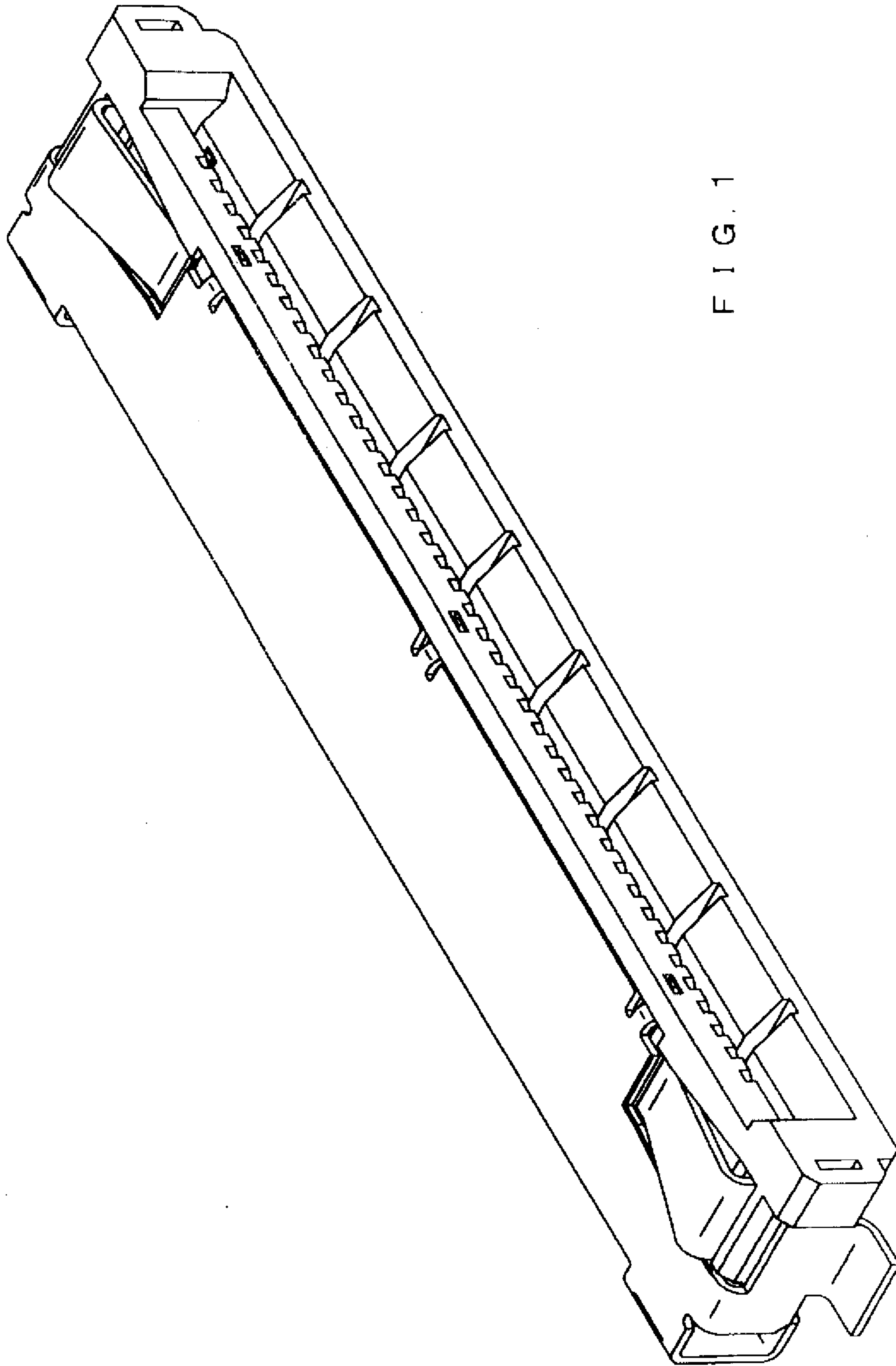


FIG. 1