



US00D654028S

(12) **United States Design Patent**
Ohtsuji et al.

(10) **Patent No.:** **US D654,028 S**

(45) **Date of Patent:** **** Feb. 14, 2012**

(54) **ELECTRICAL CONNECTOR**

(75) Inventors: **Takahisa Ohtsuji, Yao (JP); Daisuke Sasaki, Yao (JP)**

(73) Assignee: **Hosiden Corporation, Yao-shi (JP)**

(**) Term: **14 Years**

(21) Appl. No.: **29/380,535**

(22) Filed: **Dec. 7, 2010**

(30) **Foreign Application Priority Data**

Jul. 14, 2010 (JP) 2010-017141

(51) **LOC (9) Cl.** **13-03**

(52) **U.S. Cl.** **D13/147**

(58) **Field of Classification Search** D13/147,
D13/154, 184, 199; 439/108, 476.1, 483,
439/527, 533, 607.1, 607.4, 607.5, 607.17,
439/607.25, 607.34, 607.41, 607.53, 892,
439/894

See application file for complete search history.

(56) **References Cited**

U.S. PATENT DOCUMENTS

D635,927 S *	4/2011	Nagata et al.	D13/147
D635,928 S *	4/2011	Nagata et al.	D13/147
D636,342 S *	4/2011	Sasaki et al.	D13/147
D636,731 S *	4/2011	Sasaki et al.	D13/147
D636,732 S *	4/2011	Sasaki et al.	D13/147
D638,366 S *	5/2011	Ohtsuji et al.	D13/147
D638,369 S *	5/2011	Arche et al.	D13/154

* cited by examiner

Primary Examiner — Daniel Bui

(74) *Attorney, Agent, or Firm* — Kratz, Quintos & Hanson, LLP

(57) **CLAIM**

The ornamental design for an electrical connector, as shown and described.

DESCRIPTION

FIG. 1 is a front elevational view of an electrical connector showing our new design;

FIG. 2 is a back elevational view thereof;

FIG. 3 is a top plan view thereof;

FIG. 4 is a bottom plan view thereof;

FIG. 5 is a right side elevational view thereof;

FIG. 6 is a left side elevational view thereof;

FIG. 7 is a top, front, and right side perspective view thereof;

FIG. 8 is a top, back and left side perspective view thereof;

FIG. 9 is a bottom, front, and left side perspective view thereof;

FIG. 10 is a bottom, back and right side perspective view thereof;

FIG. 11 is a cross-sectional view thereof taken along line 11-11 of FIG. 3;

FIG. 12 is a cross-sectional view thereof taken along line 12-12 of FIG. 3;

FIG. 13 is a cross-sectional view thereof taken along line 13-13 of FIG. 3;

FIG. 14 is a cross-sectional view thereof taken along line 14-14 of FIG. 3; and,

FIG. 15 is a cross-sectional view thereof taken along line 15-15 of FIG. 3.

1 Claim, 15 Drawing Sheets

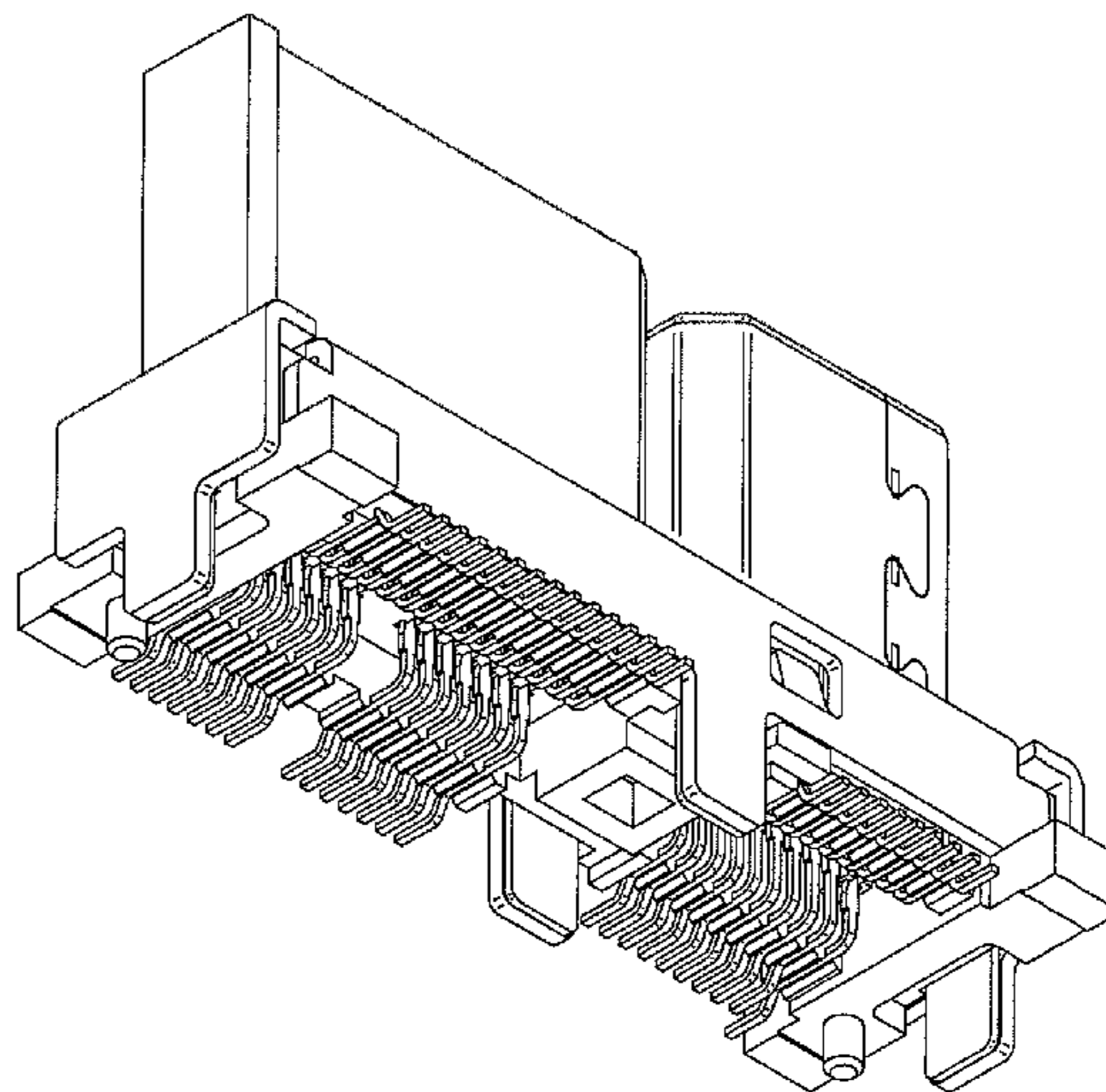
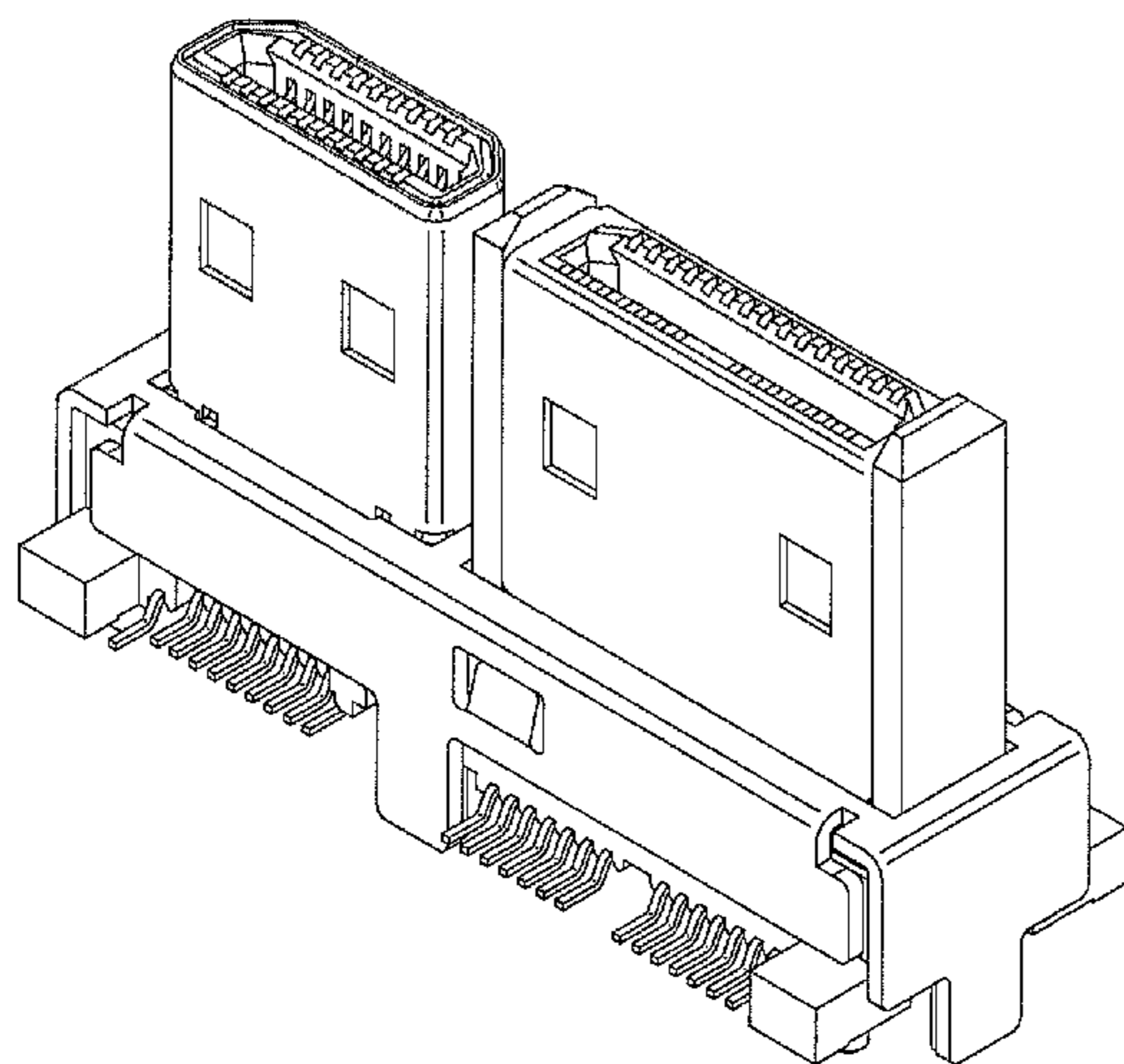


FIG. 1

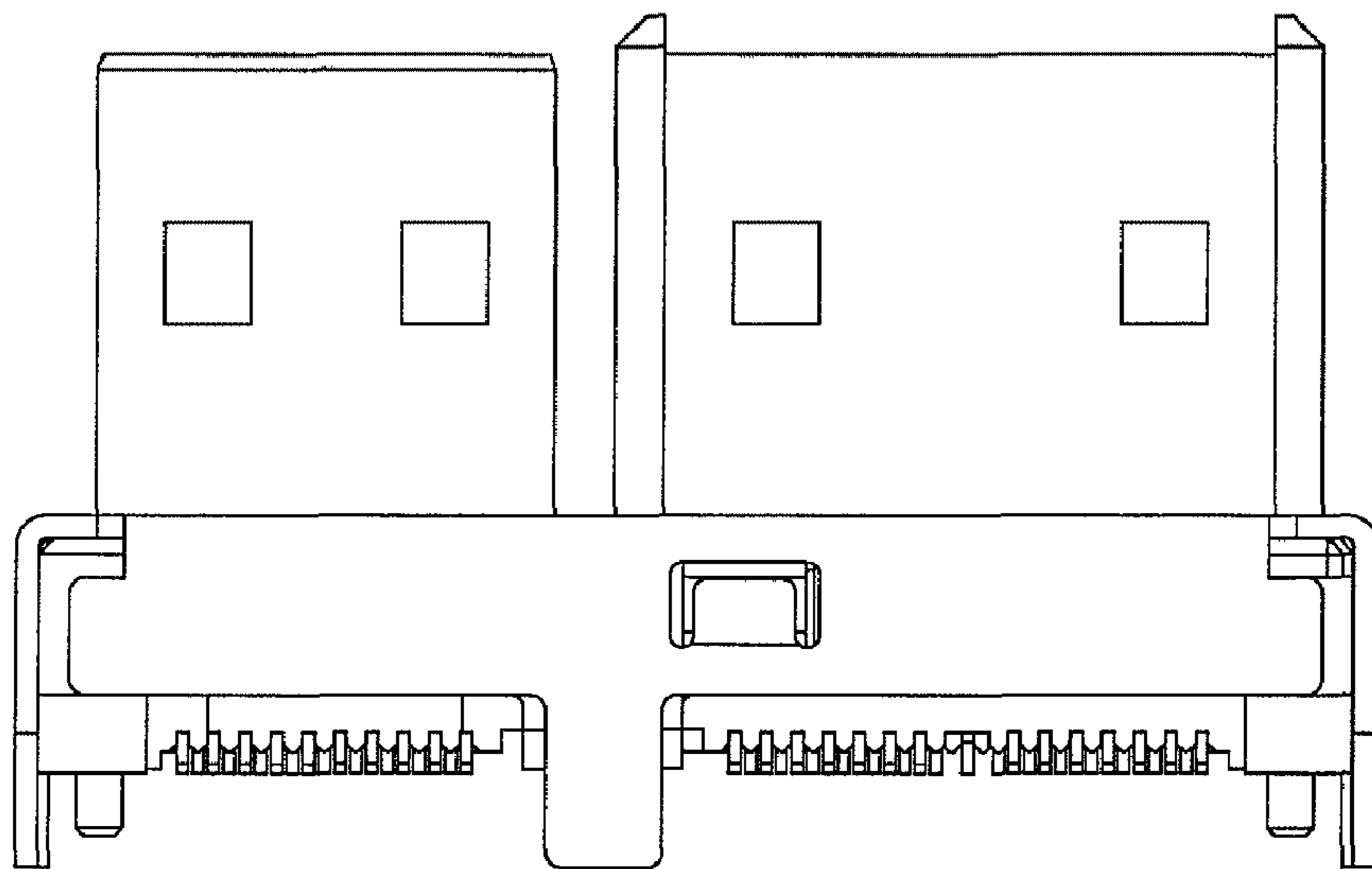


FIG. 2

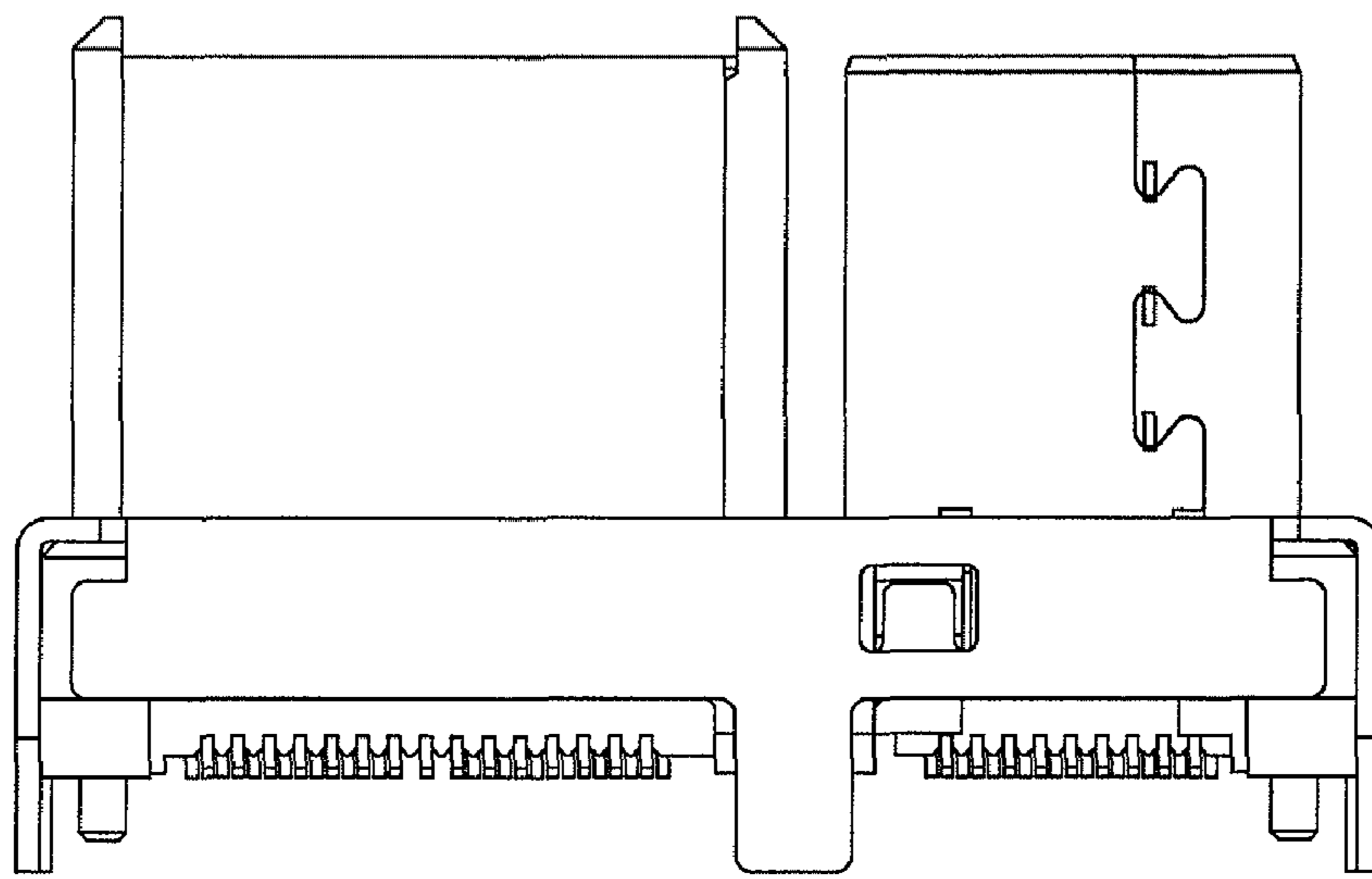


FIG. 3

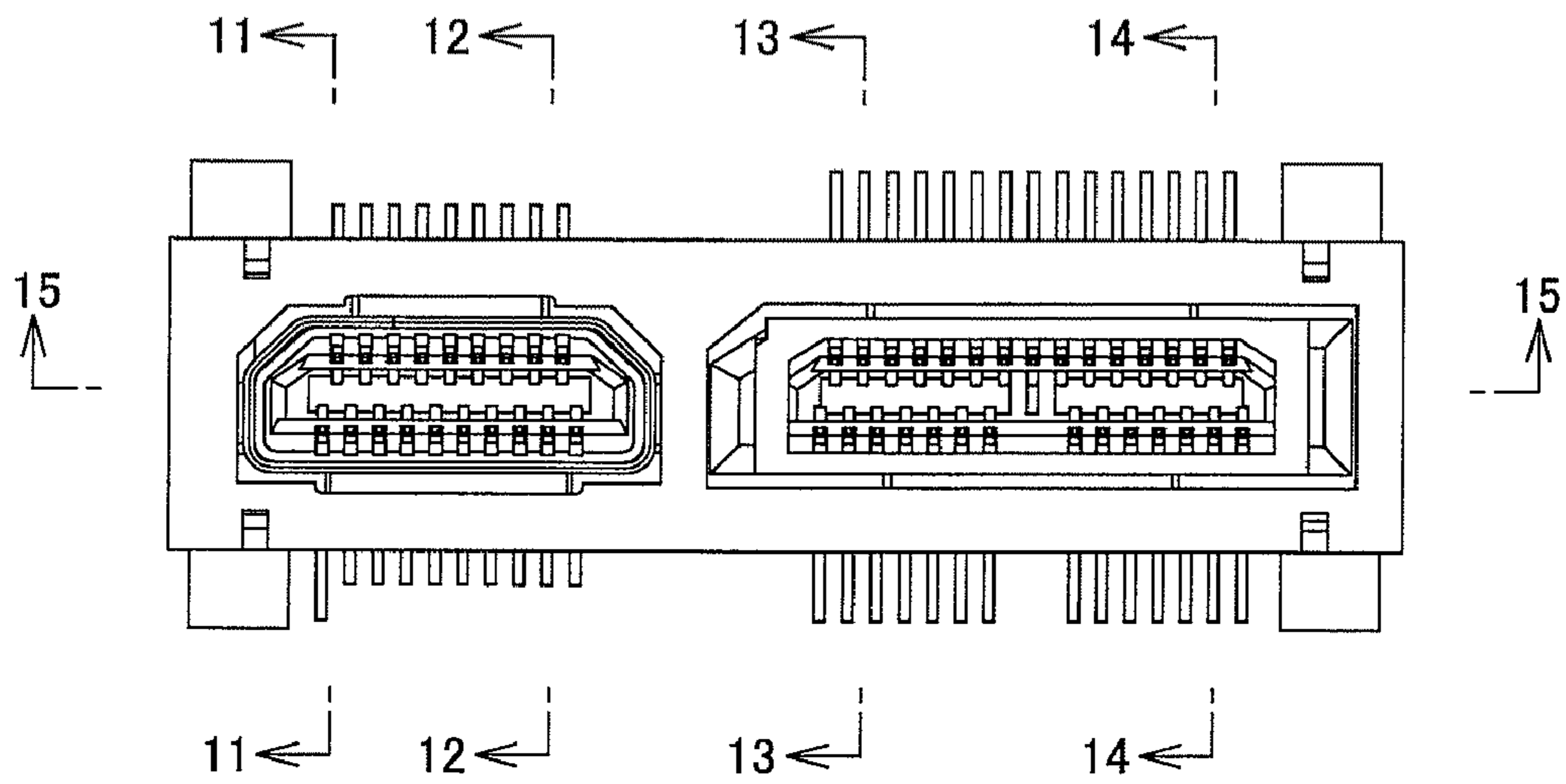


FIG. 4

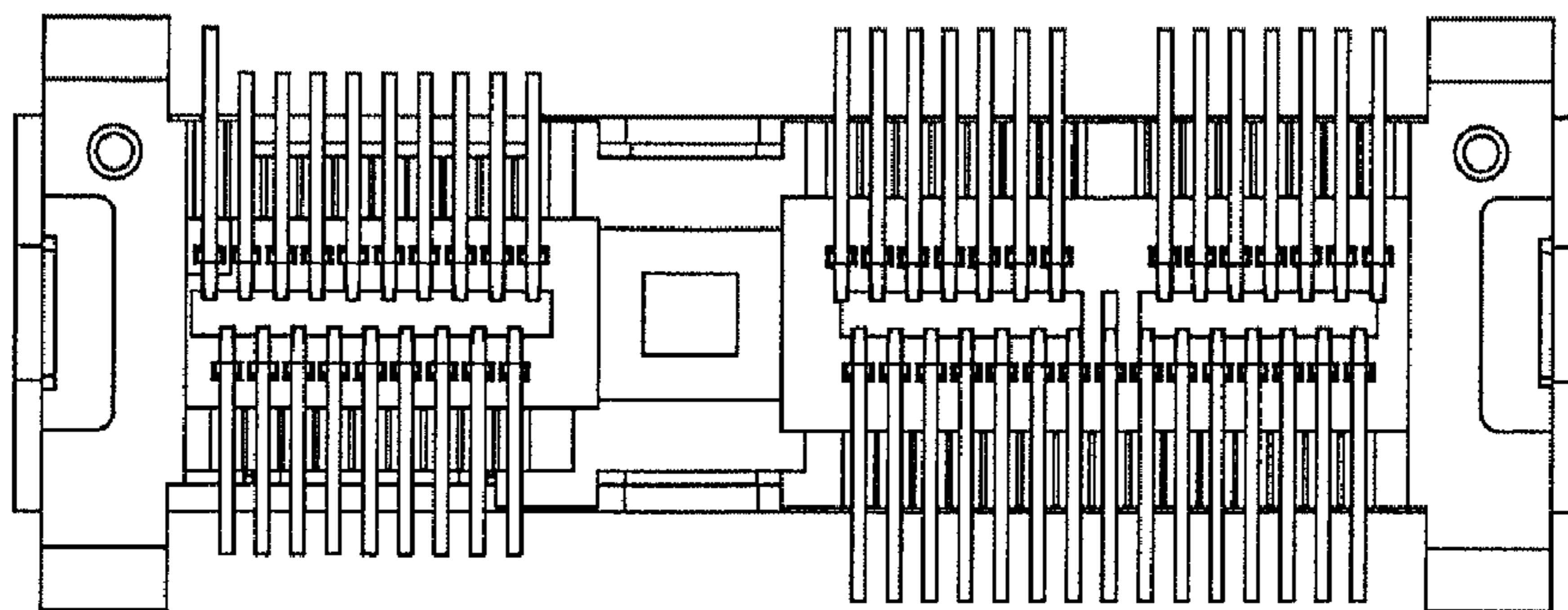


FIG. 5

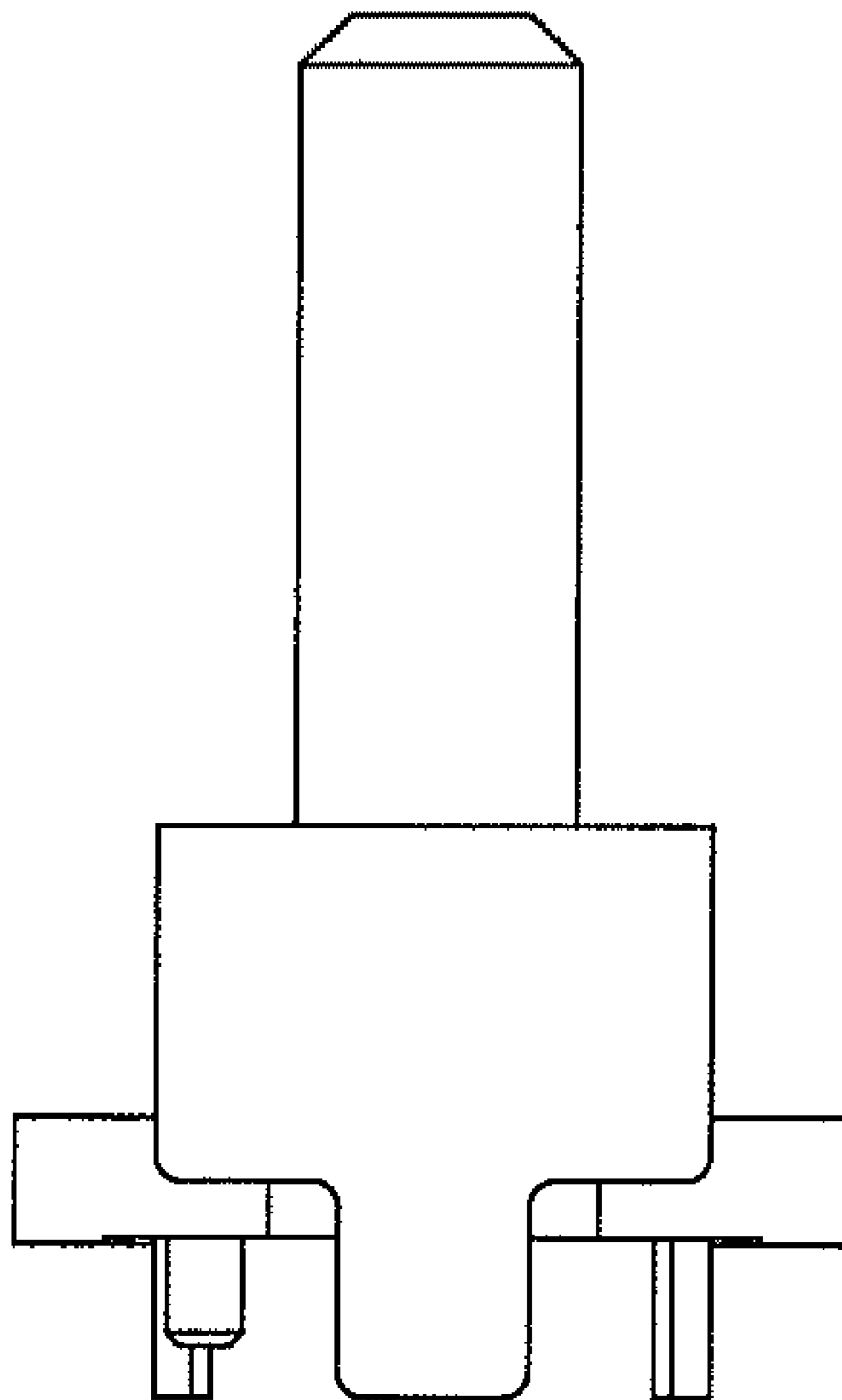


FIG. 6

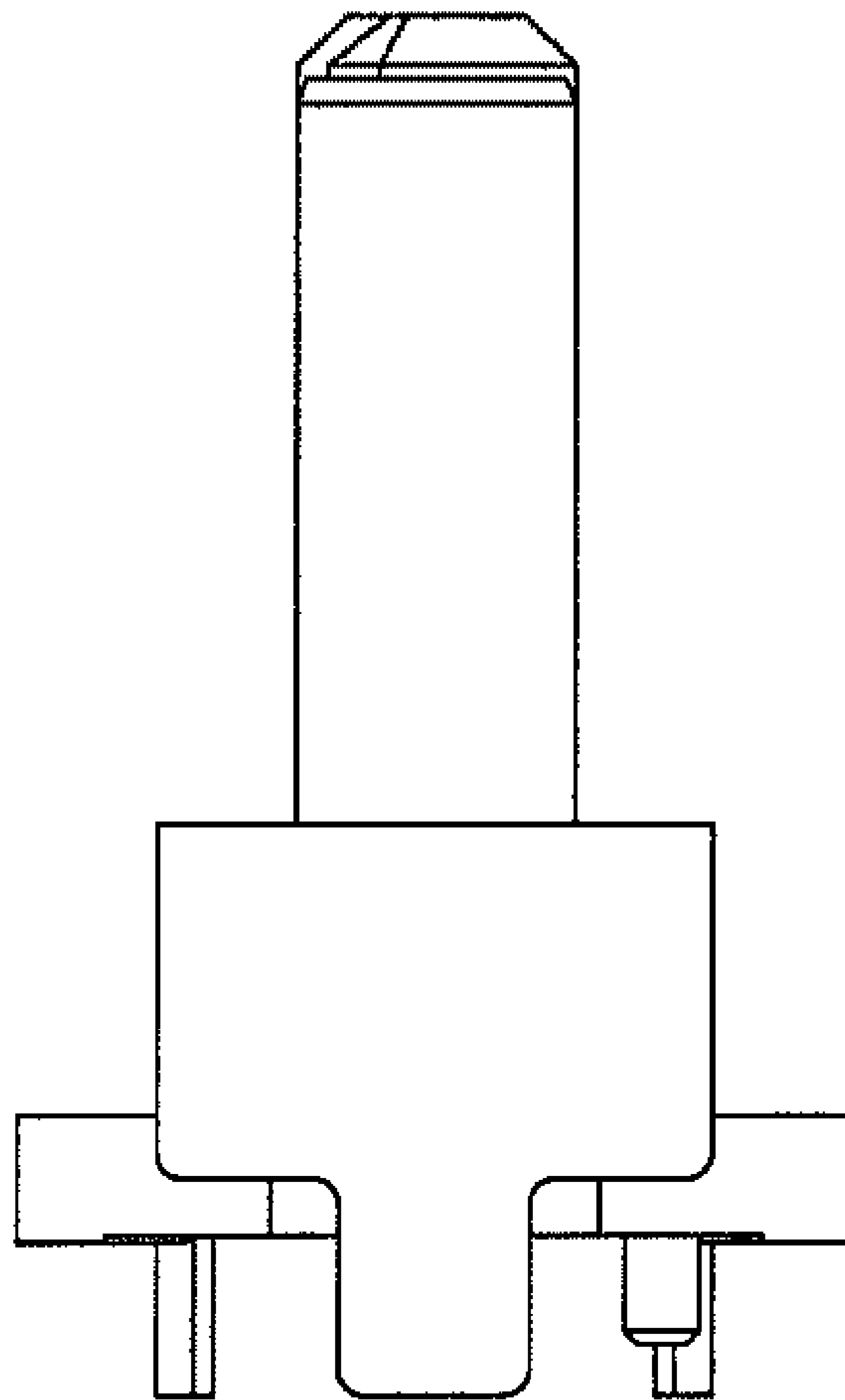


FIG. 7

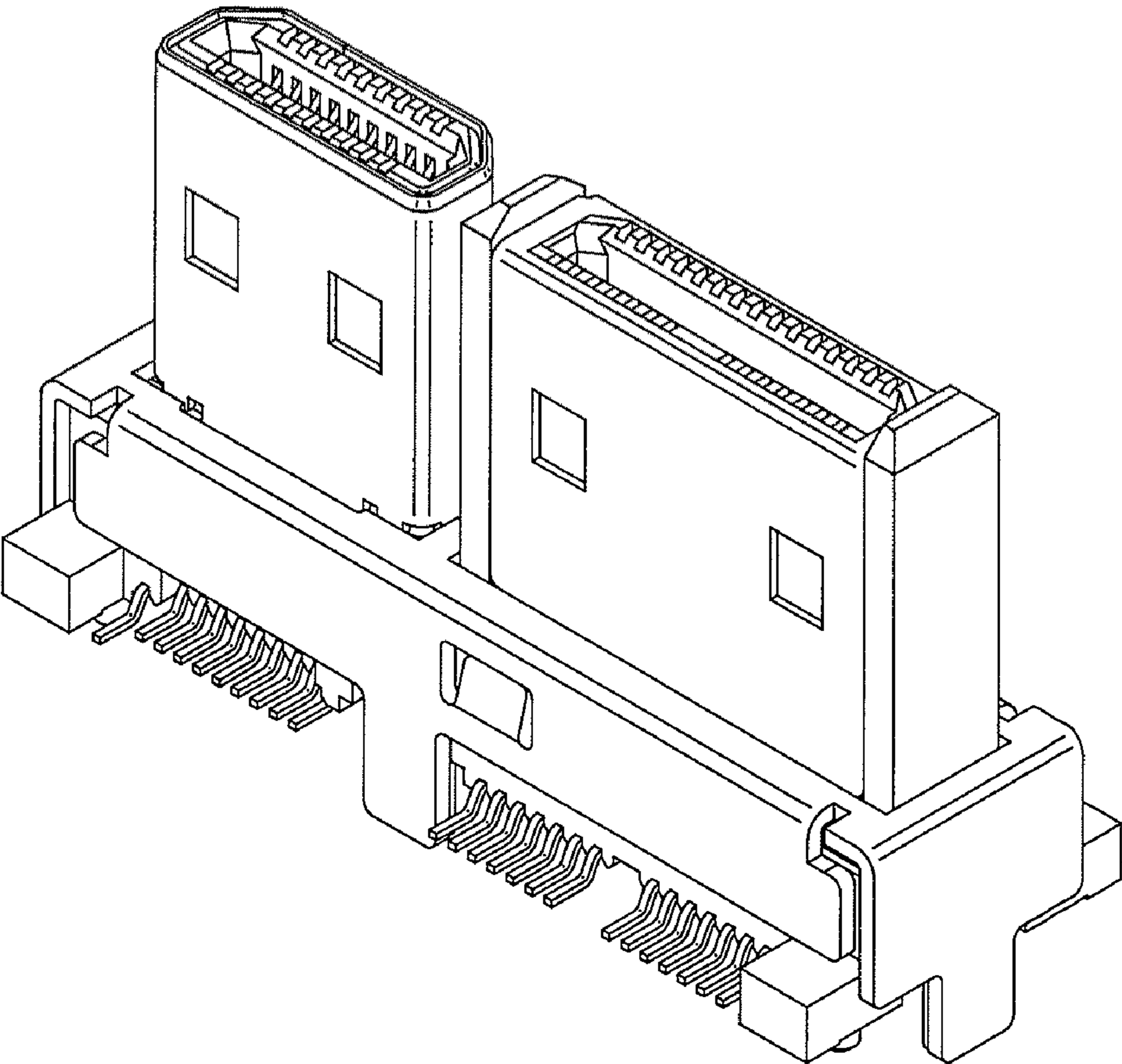


FIG. 8

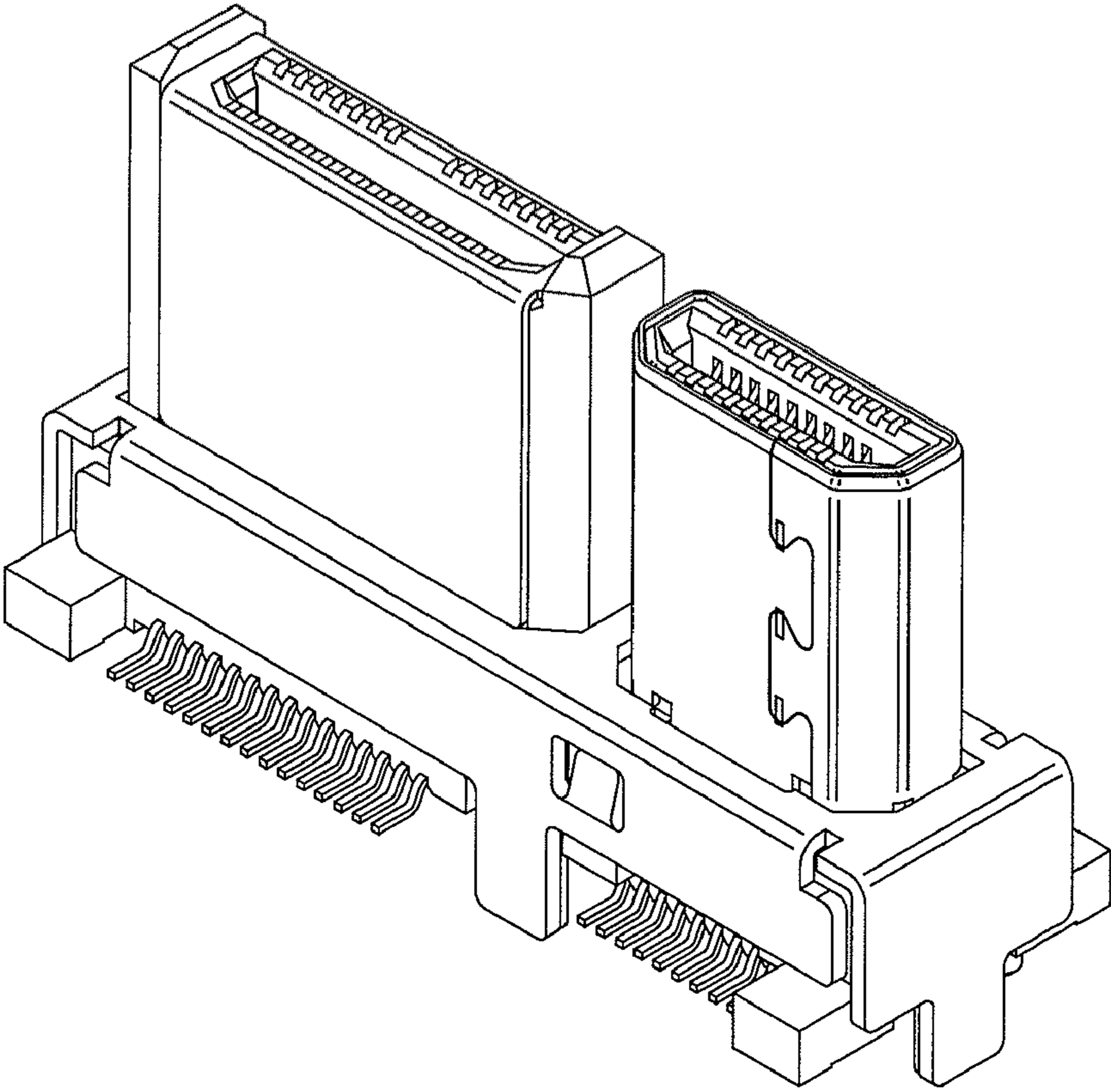


FIG. 9

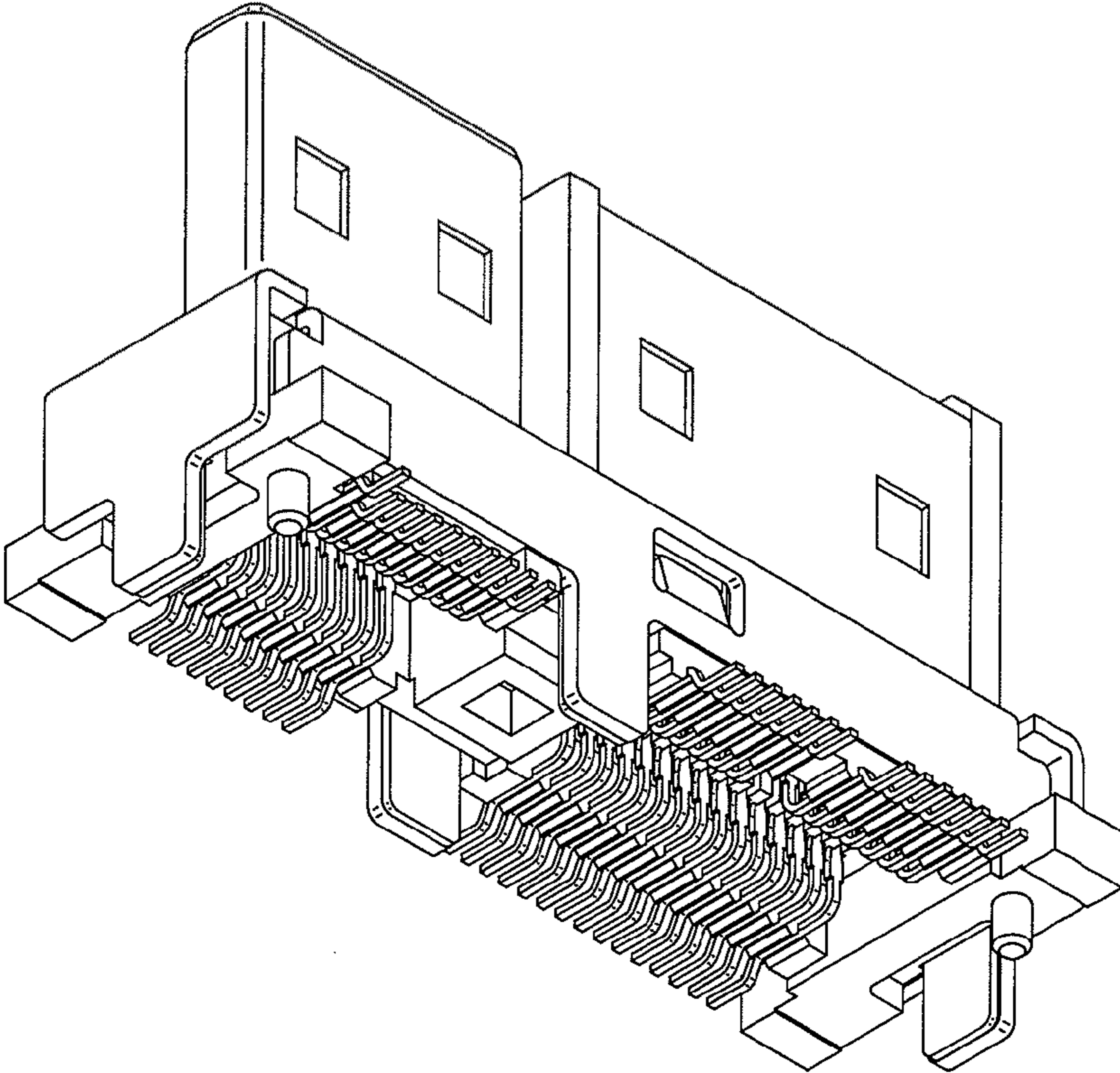


FIG. 10

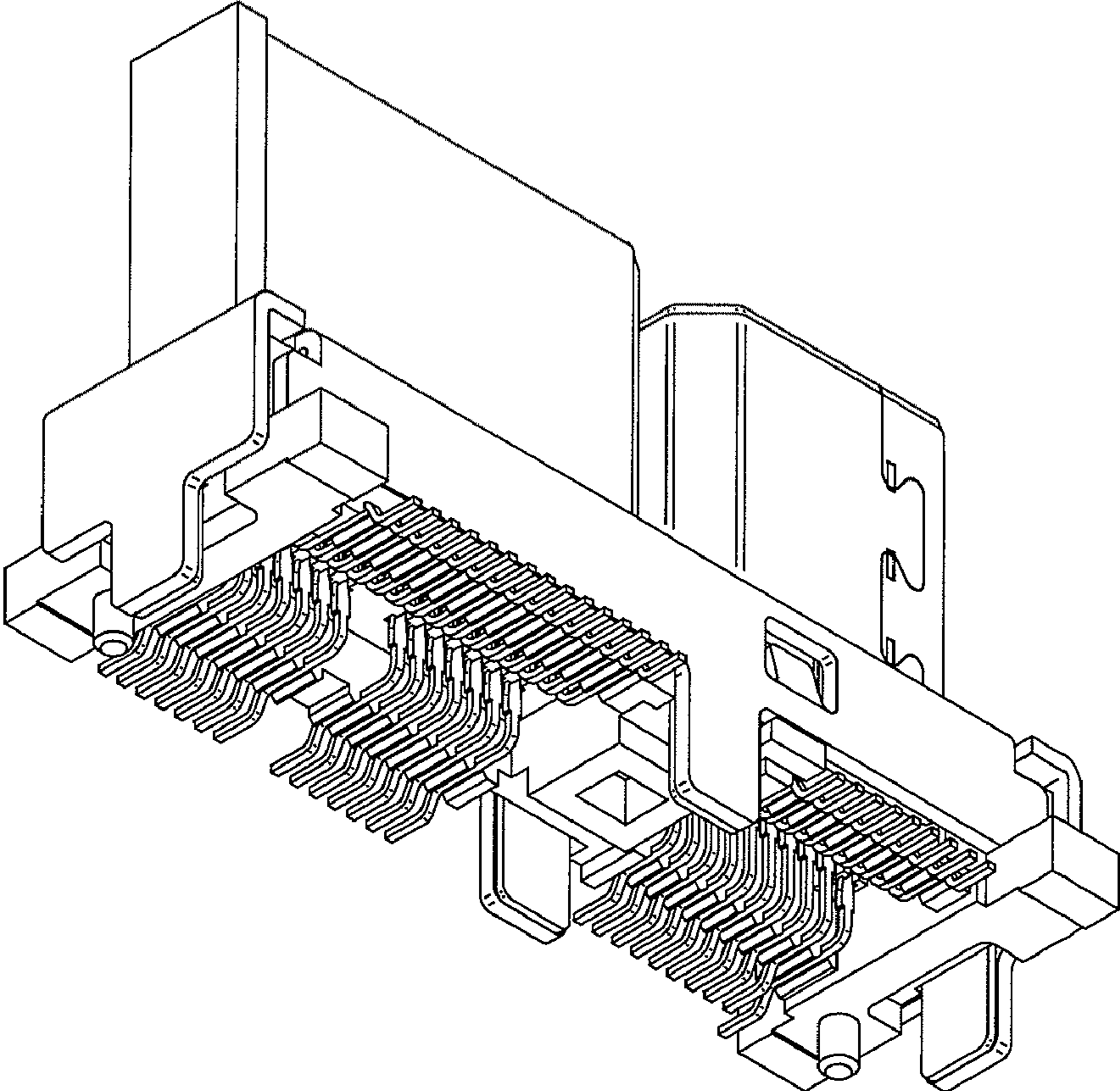


FIG. 11

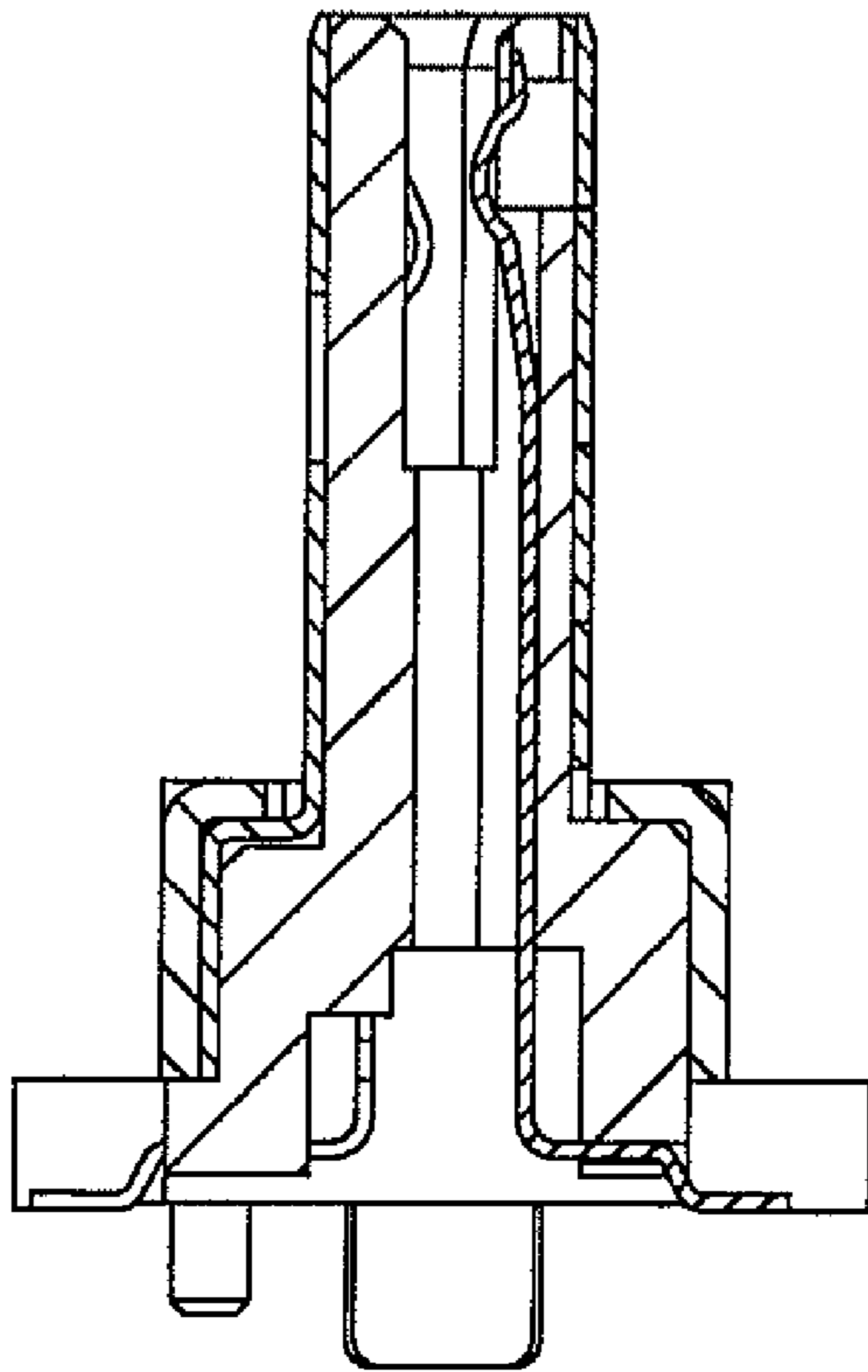


FIG. 12

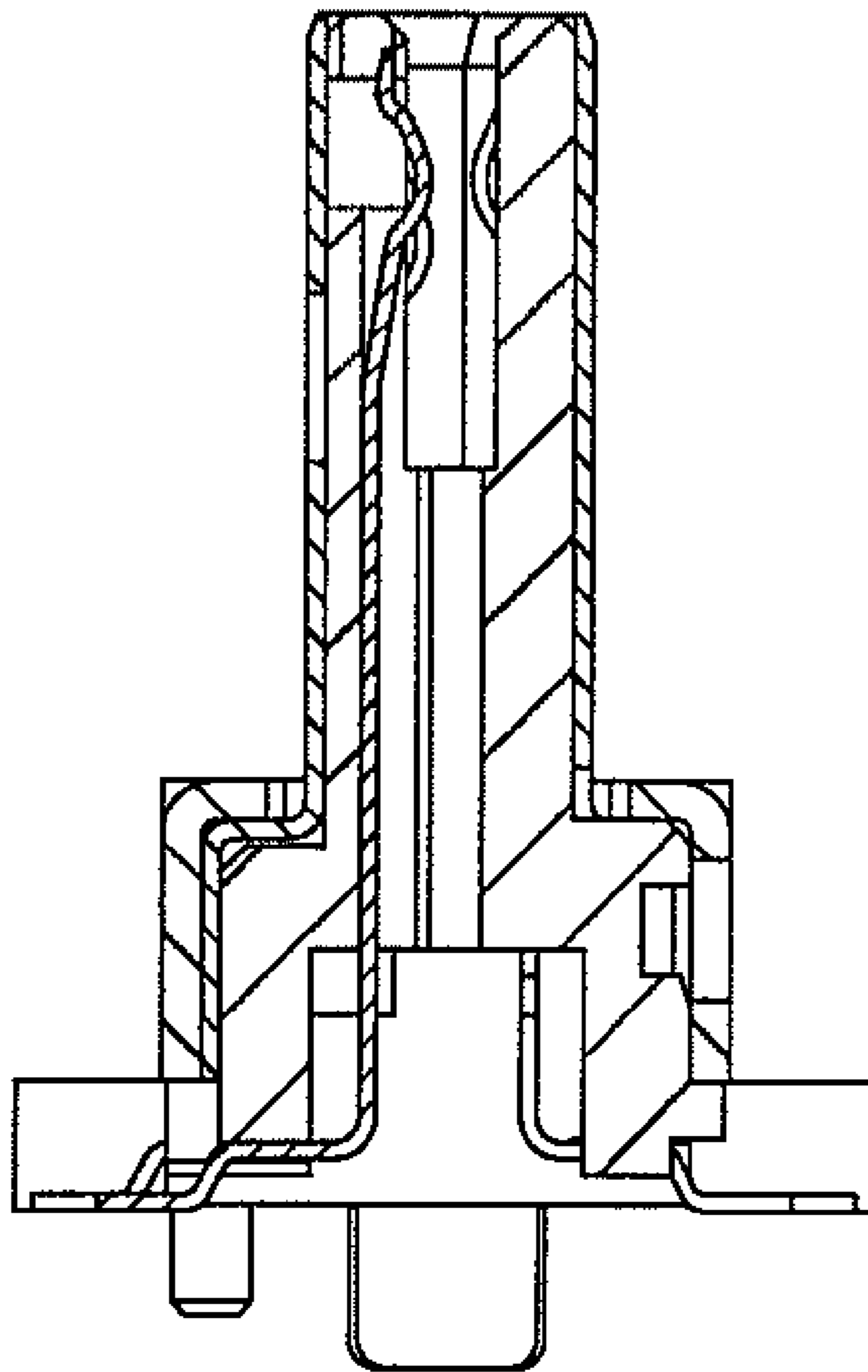


FIG. 13

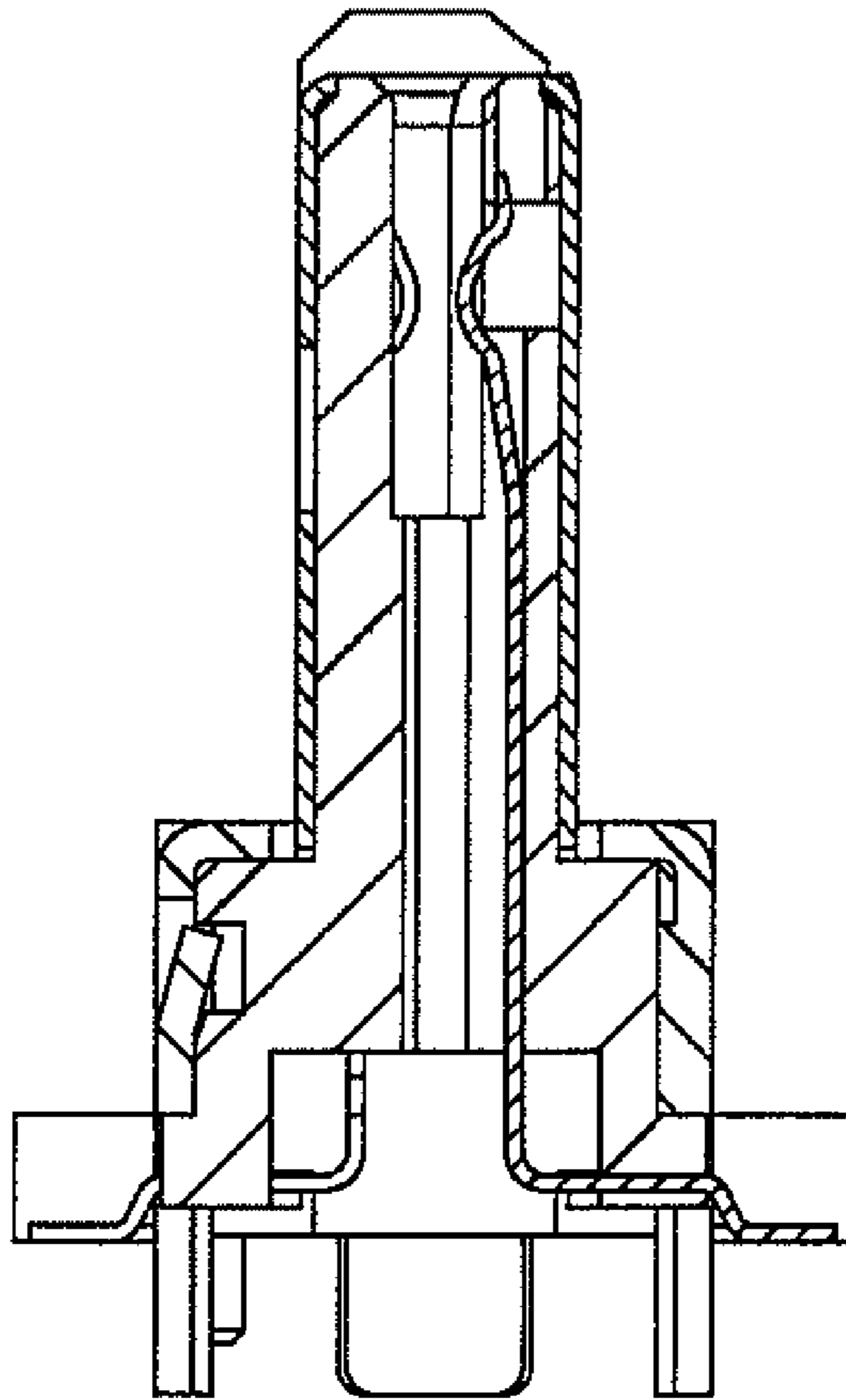


FIG. 14

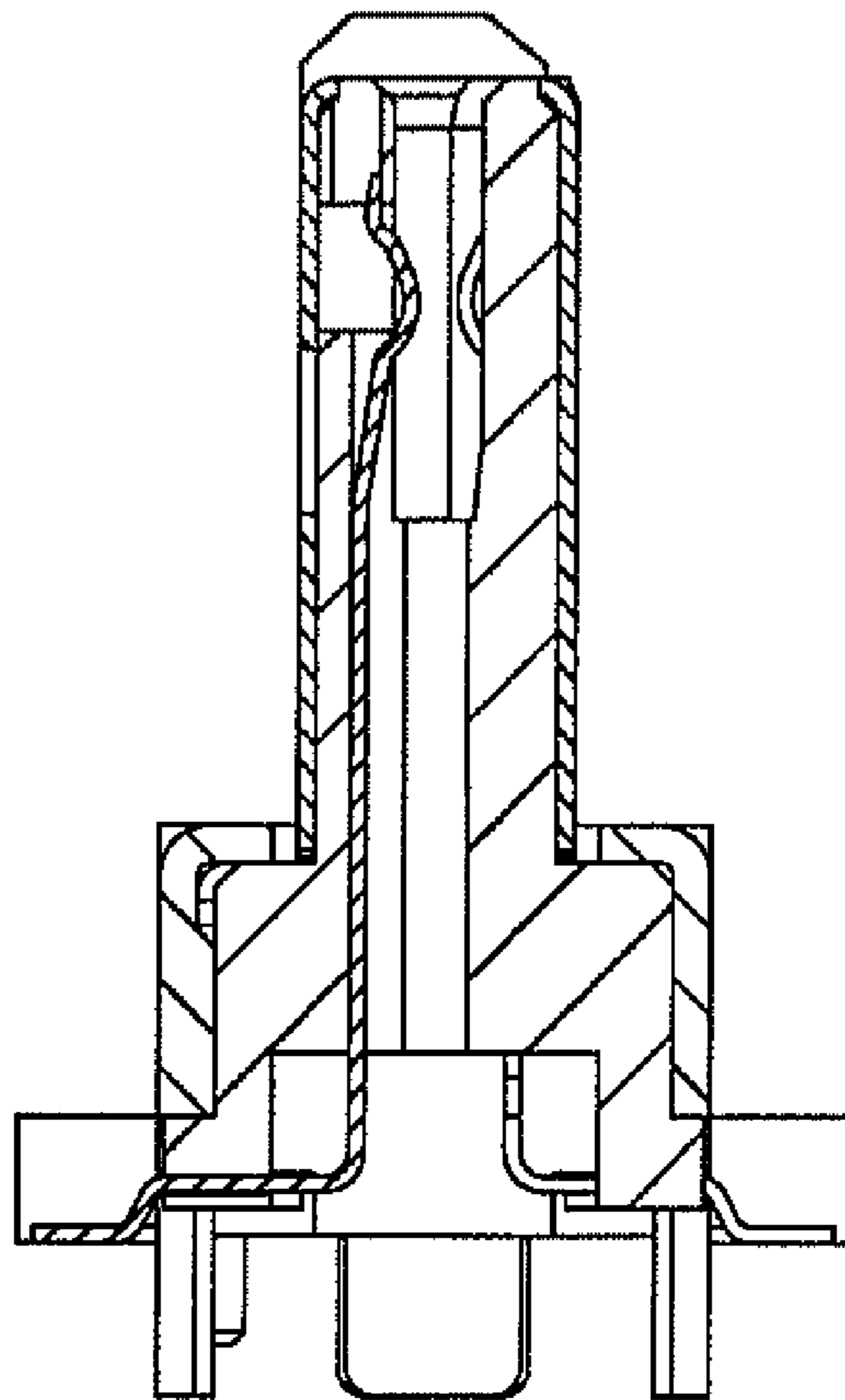


FIG. 15

