



US00D654027S

(12) **United States Design Patent**
Huang

(10) **Patent No.:** **US D654,027 S**

(45) **Date of Patent:** **** Feb. 14, 2012**

(54) **POWER ADAPTER FOR VEHICLE**

(76) Inventor: **Chao Kuang Huang**, Taichung (TW)

(**) Term: **14 Years**

(21) Appl. No.: **29/399,414**

(22) Filed: **Aug. 13, 2011**

(51) **LOC (9) Cl.** **13-03**

(52) **U.S. Cl.** **D13/144**

(58) **Field of Classification Search** D13/107,
D13/108, 110, 118, 119, 120, 133, 144, 154,
D13/184, 199; 320/107-109; 363/13, 146;
439/300, 620.01, 638, 668-670, 675, 825
See application file for complete search history.

(56) **References Cited**

U.S. PATENT DOCUMENTS

D300,626 S * 4/1989 Crutcher et al. D13/144
D557,658 S * 12/2007 Ledbetter et al. D13/108

D585,375 S * 1/2009 Andre et al. D13/133
D604,699 S * 11/2009 Yamamoto D13/144
D618,618 S * 6/2010 Lee et al. D13/144
D632,653 S * 2/2011 Wikel et al. D13/144

* cited by examiner

Primary Examiner — Daniel Bui

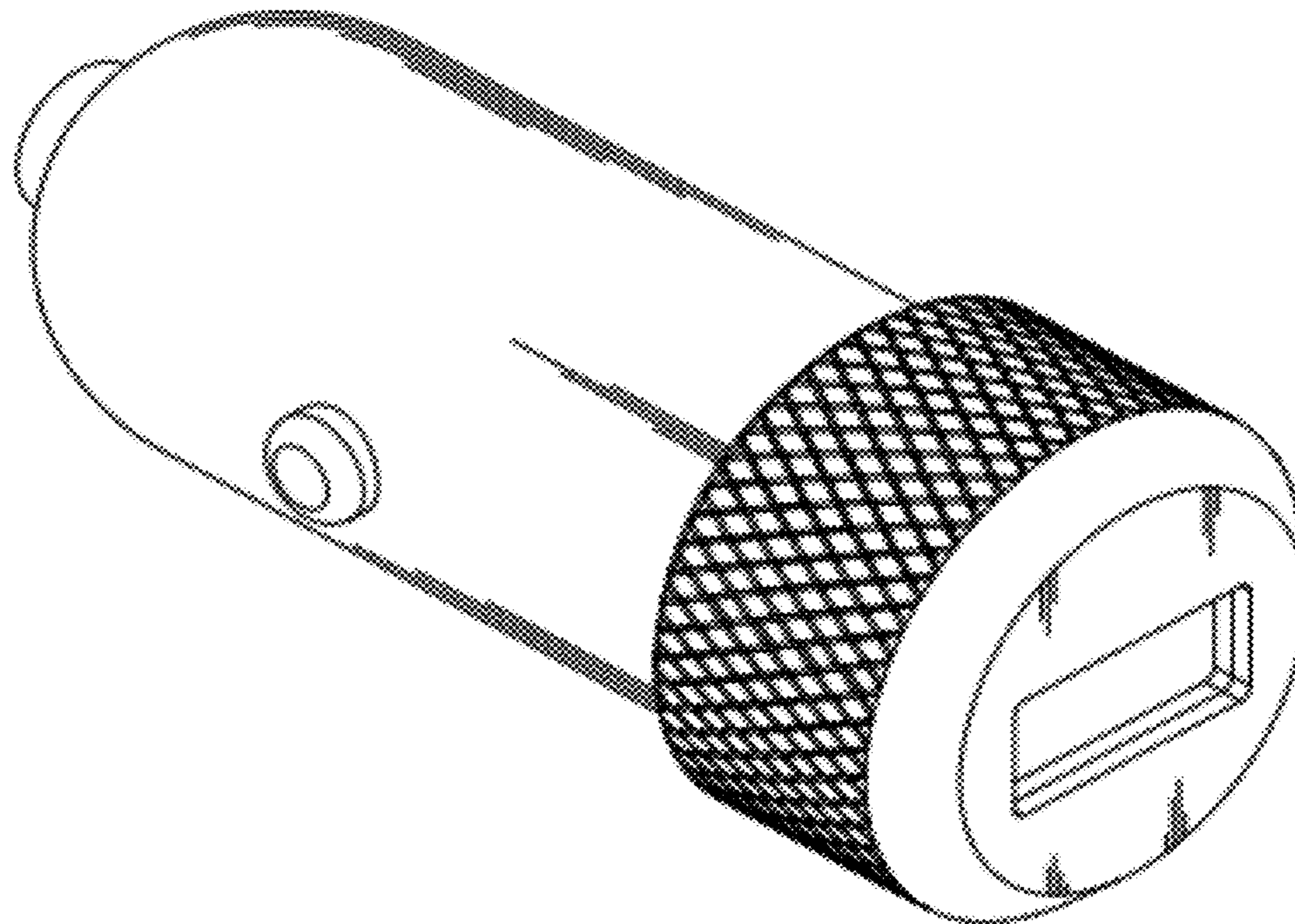
(57) **CLAIM**

The ornamental design for a power adapter for vehicle, as shown and described.

DESCRIPTION

FIG. 1 is a perspective view of a power adapter for vehicle showing my new design;
FIG. 2 is a front elevational view thereof;
FIG. 3 is a rear elevational view thereof;
FIG. 4 is a left elevational view thereof;
FIG. 5 is a right elevational view thereof;
FIG. 6 is a top view thereof; and,
FIG. 7 is a bottom view thereof.

1 Claim, 7 Drawing Sheets



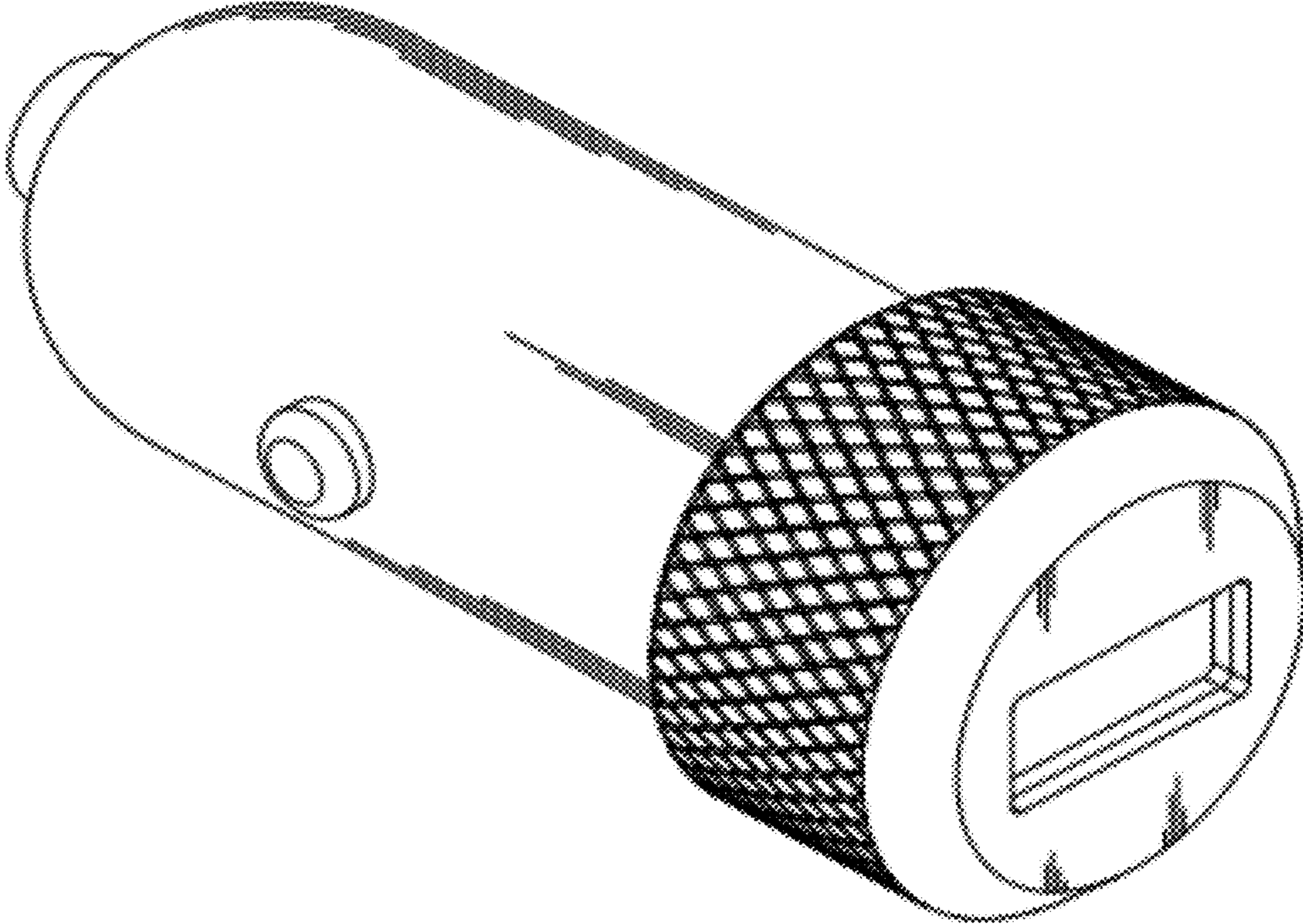


FIG. 1

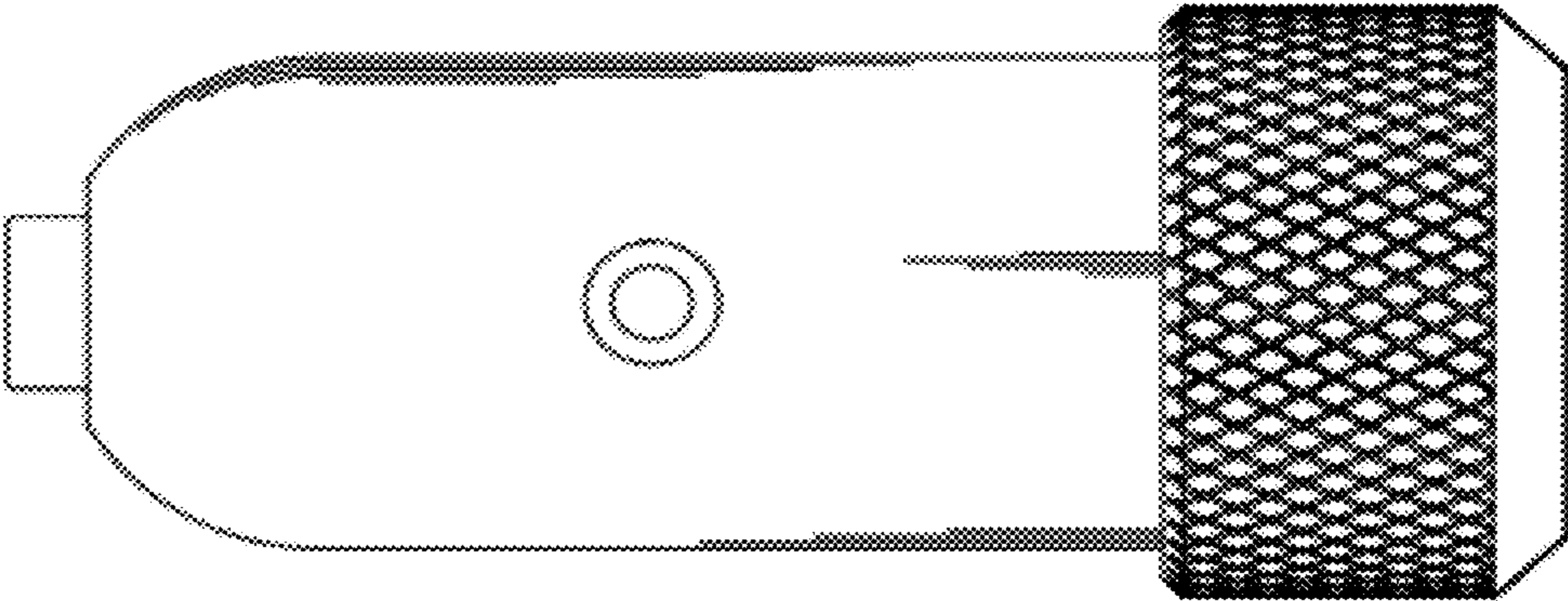


FIG. 2

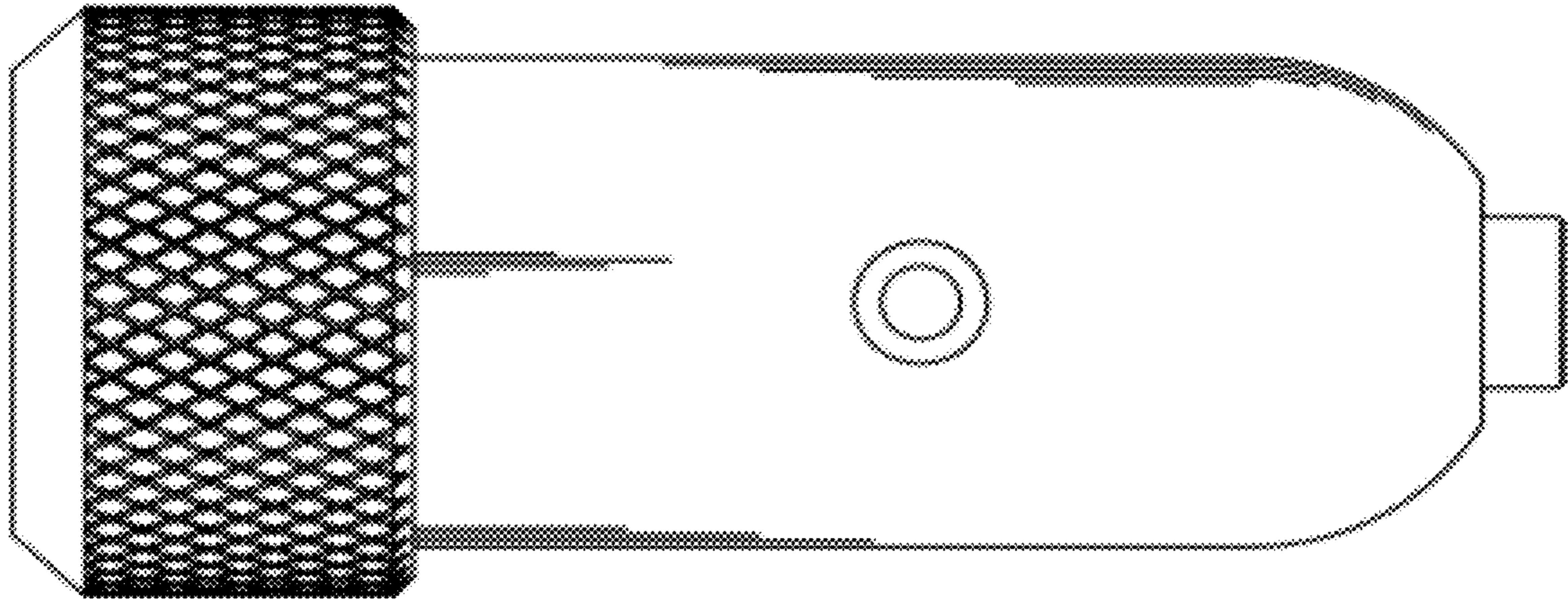


FIG. 3

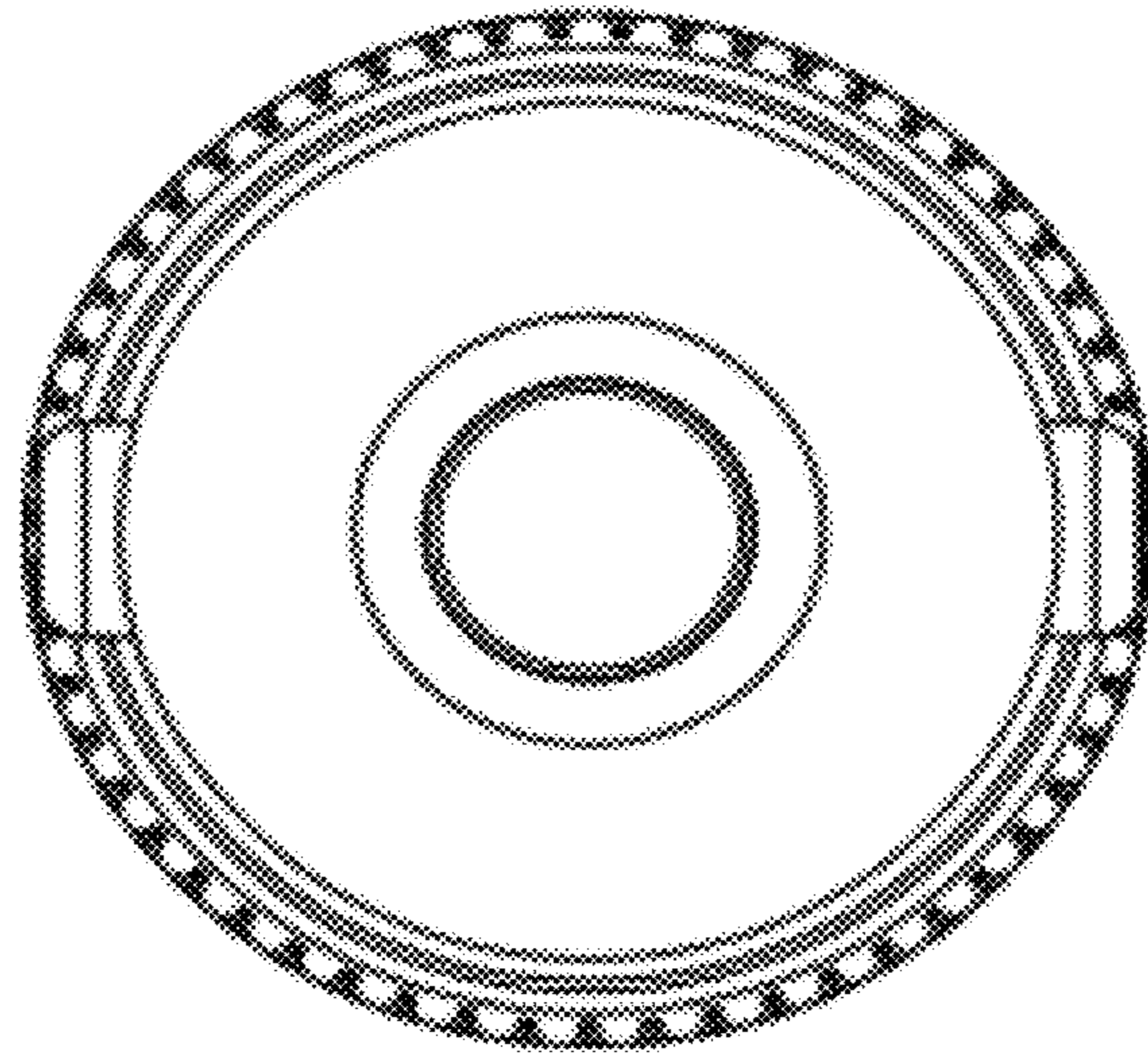


FIG. 4

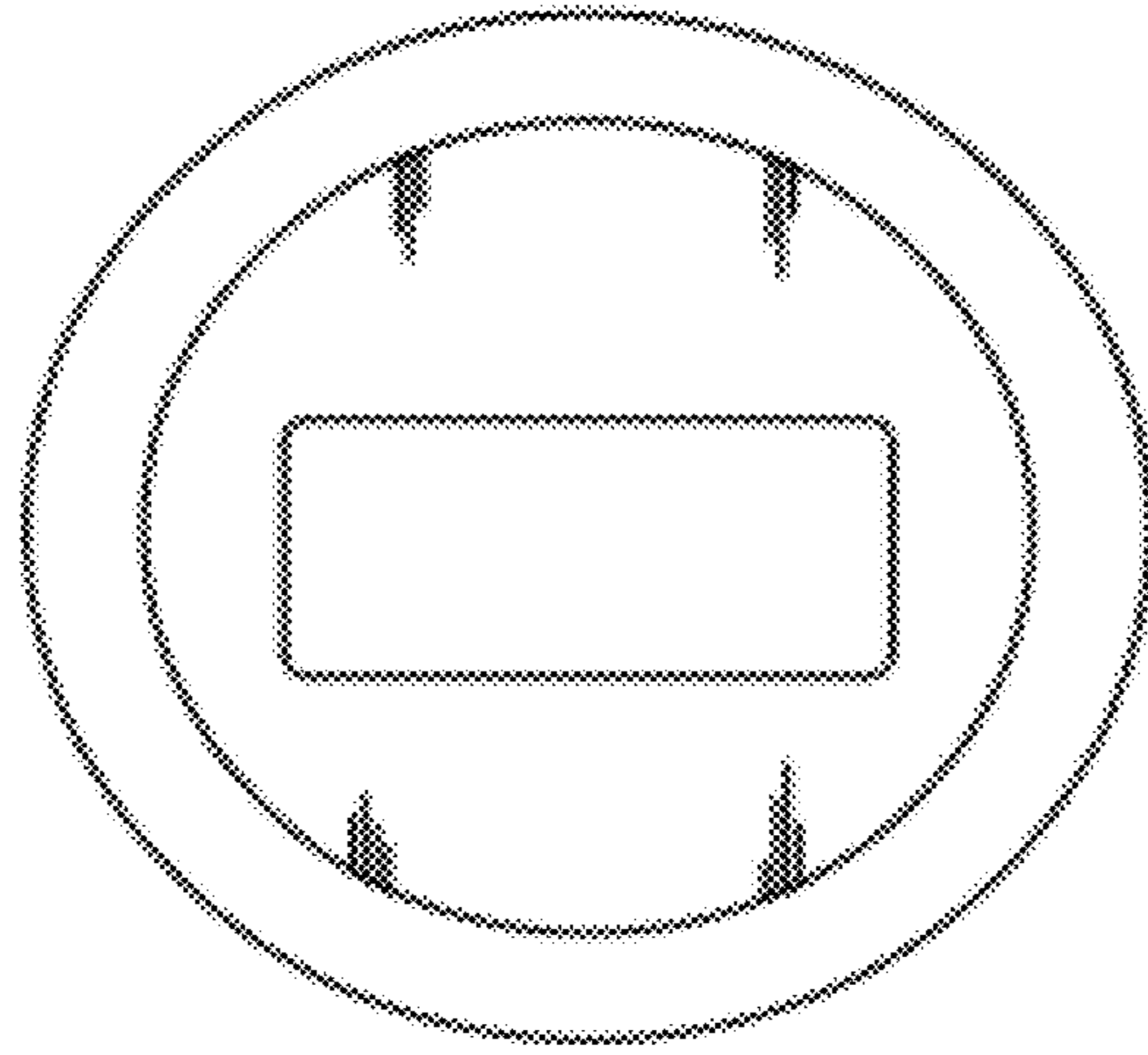


FIG. 5

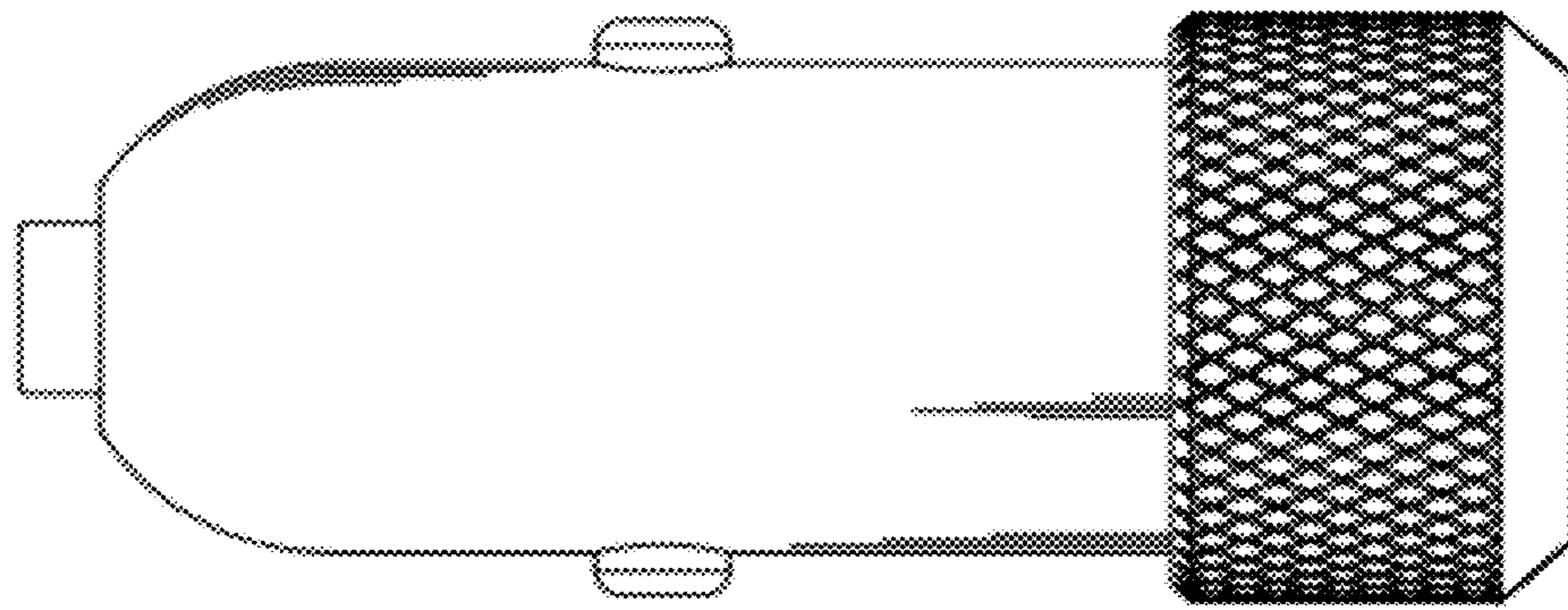


FIG. 6

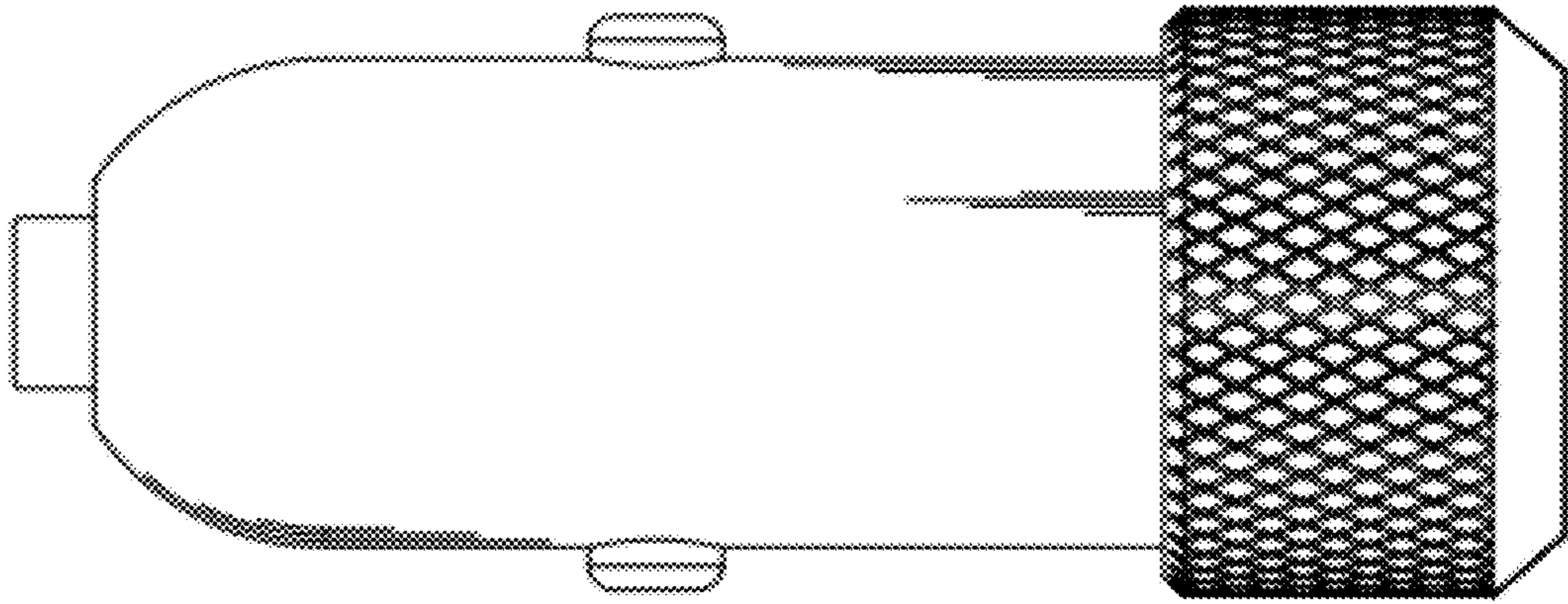


FIG. 7