



US00D654025S

(12) **United States Design Patent**  
**Bauer**

(10) **Patent No.:** **US D654,025 S**

(45) **Date of Patent:** **\*\* Feb. 14, 2012**

(54) **WIND DRIVE GENERATOR FOR USE ON AN AUTOMOBILE**

(76) Inventor: **David J. Bauer**, Brothertown, WI (US)

(\*\*) Term: **14 Years**

(21) Appl. No.: **29/401,508**

(22) Filed: **Sep. 12, 2011**

(51) **LOC (9) Cl.** ..... **13-01**

(52) **U.S. Cl.** ..... **D13/115**

(58) **Field of Classification Search** ..... D13/115,  
D13/101, 118, 199; D15/1, 199; 180/2.2,  
180/165; 290/42, 44, 54, 55; 415/4.2, 902,  
415/905; 416/1, 9, 23, 24, 31, 37, 38, 51,  
416/132 B, 132 R, 142, 144, 151, 171, 176,  
416/177, 181, 196 A, 197 A

See application file for complete search history.

(56) **References Cited**

U.S. PATENT DOCUMENTS

3,924,966 A \* 12/1975 Taminini ..... 416/177  
4,019,828 A 4/1977 Bunzer  
4,039,849 A 8/1977 Mater et al.

4,168,759 A 9/1979 Hull  
4,342,539 A 8/1982 Potter  
D285,446 S \* 9/1986 Lachapelle ..... D15/1  
4,613,763 A \* 9/1986 Swansen ..... 290/44  
D338,871 S \* 8/1993 Carfagno ..... D13/115  
D377,642 S \* 1/1997 Drake ..... D13/115  
6,857,492 B1 \* 2/2005 Liskey et al. .... 180/165

\* cited by examiner

*Primary Examiner* — Derrick Holland

(74) *Attorney, Agent, or Firm* — RG Patent Consulting LLC

(57) **CLAIM**

I claim the ornamental design for a wind drive generator for use on an automobile, as shown and described.

**DESCRIPTION**

FIG. 1 is a front, top and end perspective view of the wind drive generator for use on an automobile embodying the design of the present invention.

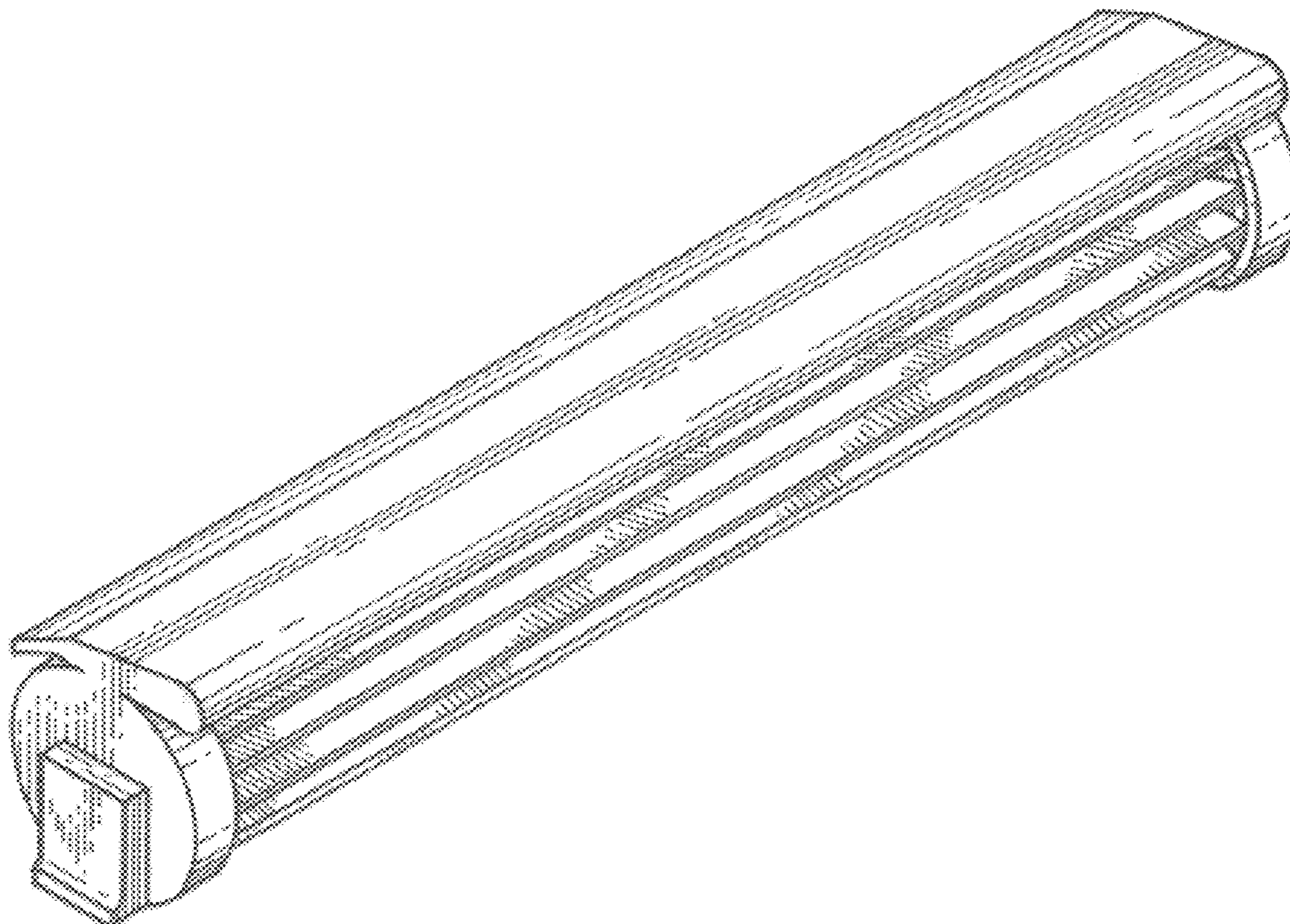
FIG. 2 is a top plan view thereof.

FIG. 3 is a bottom view thereof.

FIG. 4 is a front side elevational view thereof, the side opposite to the side shown in FIG. 4 being identical; and,

FIG. 5 is an end elevational view thereof, the end opposite to the end shown in FIG. 5 being identical.

**1 Claim, 3 Drawing Sheets**



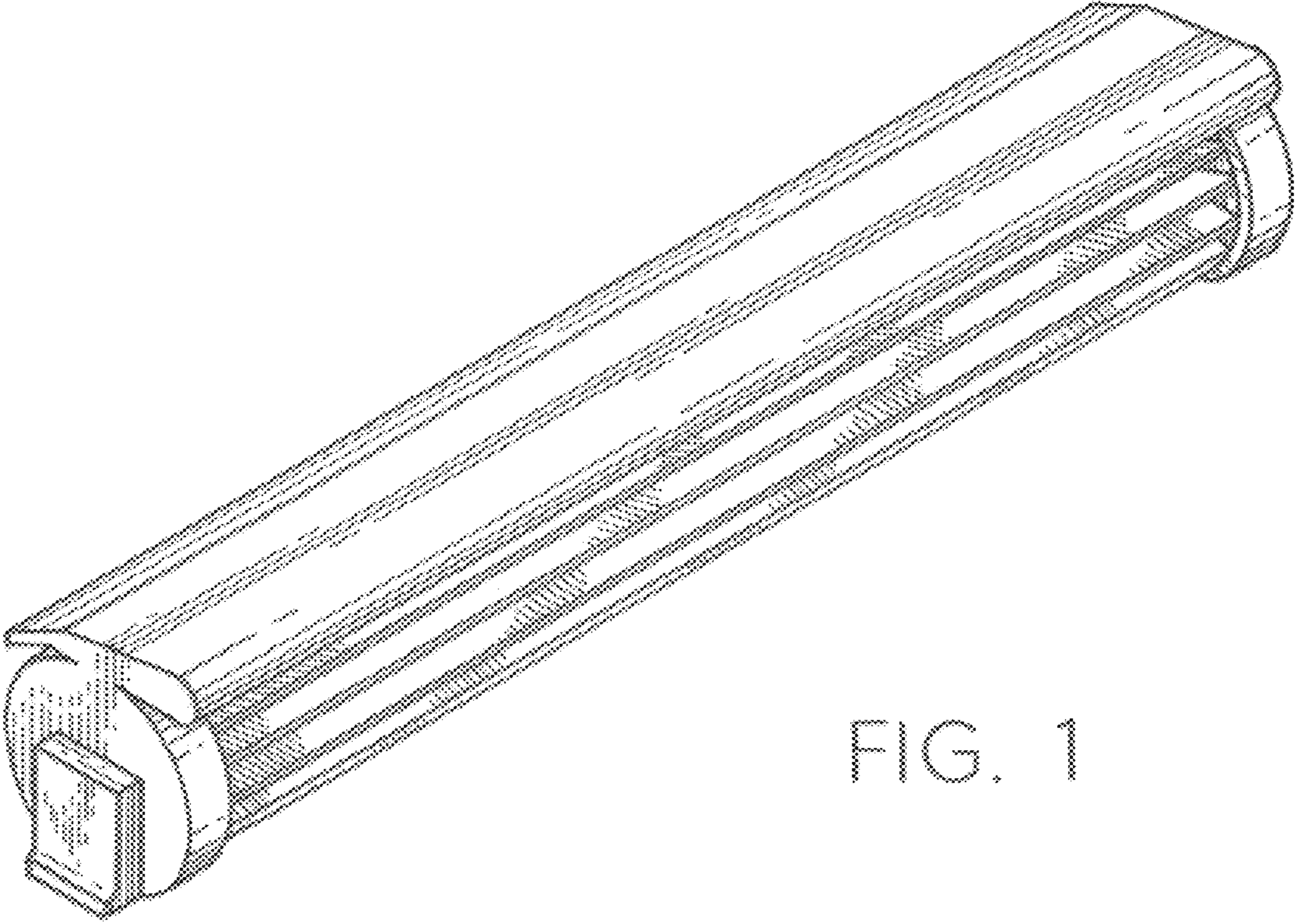


FIG. 1

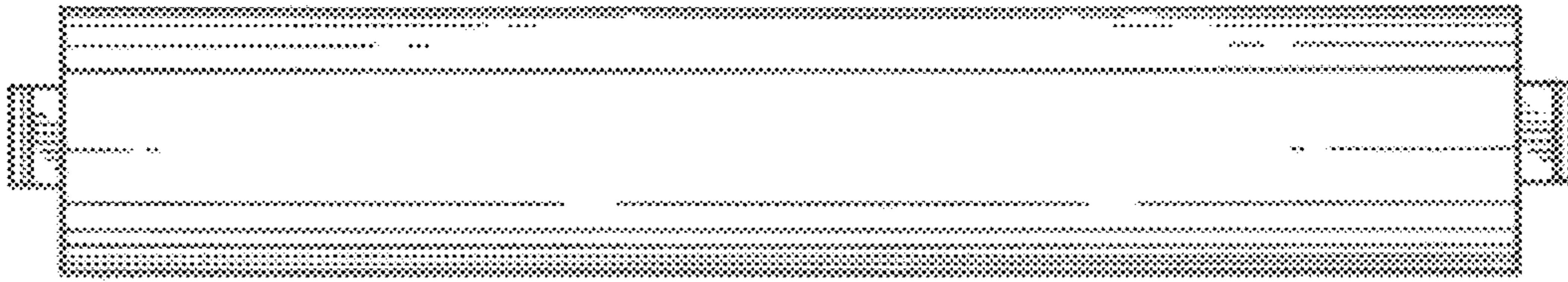


FIG. 2

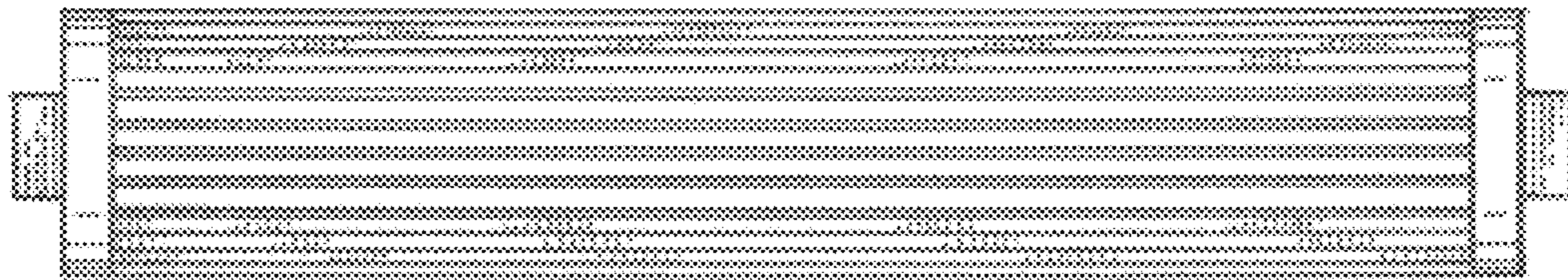


FIG. 3

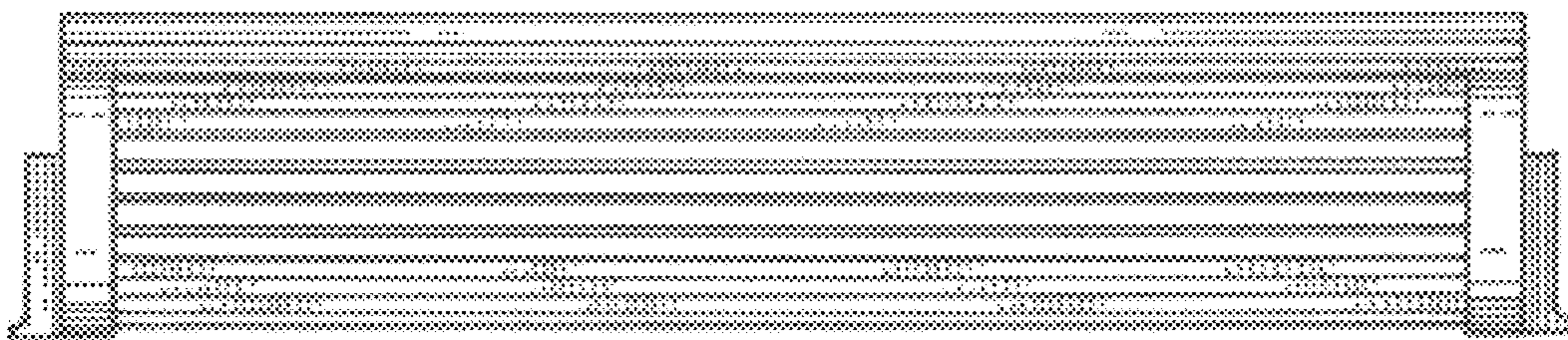


FIG. 4

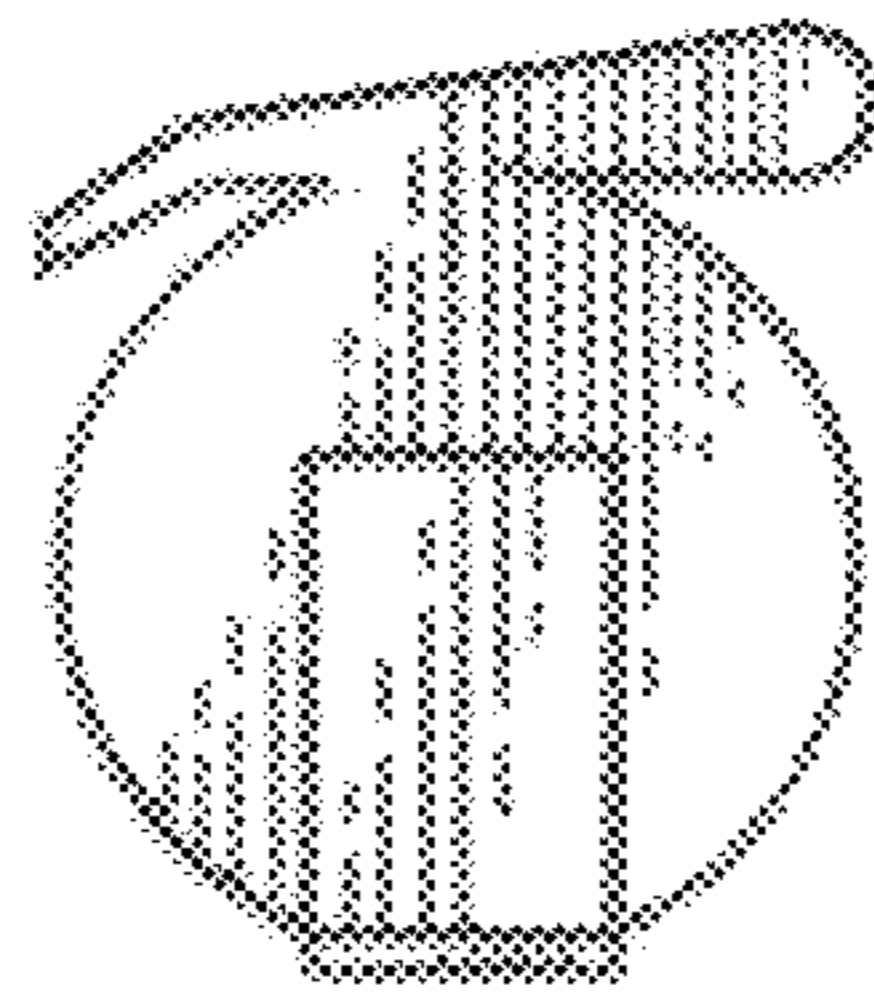


FIG. 5