



US00D654024S

(12) **United States Design Patent**
Choi

(10) **Patent No.:** **US D654,024 S**

(45) **Date of Patent:** **** Feb. 14, 2012**

(54) **MOTOR DRIVE**

(75) Inventor: **Won Suk Choi**, Seoul (KR)

(73) Assignee: **LS Industrial Systems Co., Ltd.**,
Ahnyang-Shi (KR)

(**) Term: **14 Years**

(21) Appl. No.: **29/388,966**

(22) Filed: **Apr. 5, 2011**

(30) **Foreign Application Priority Data**

Dec. 15, 2010 (KR) 30-2010-0054477

(51) **LOC (9) Cl.** **13-02**

(52) **U.S. Cl.** **D13/110; D15/1**

(58) **Field of Classification Search** D15/1-6;
D13/160, 162, 162.1, 164, 184, 199, 110,
D13/101, 112; 361/600, 601, 679, 685, 686,
361/689, 690

See application file for complete search history.

(56) **References Cited**

U.S. PATENT DOCUMENTS

D449,817 S * 10/2001 Takeuchi et al. D13/110
D454,838 S * 3/2002 Takeuchi et al. D13/110
D563,316 S * 3/2008 Higuchi D13/110

D563,317 S * 3/2008 Higuchi D13/110
D595,225 S * 6/2009 Juva D13/110
D631,436 S * 1/2011 Huang et al. D13/110
D633,441 S * 3/2011 Ishimaru et al. D13/110

* cited by examiner

Primary Examiner — T. Chase Nelson

Assistant Examiner — Ania Dworzecka

(74) *Attorney, Agent, or Firm* — Birch, Stewart, Kolasch &
Birch, LLP

(57) **CLAIM**

I claim the ornamental design for a motor drive, as shown and described.

DESCRIPTION

FIG. 1 is a perspective view of a motor drive showing our new design:

FIG. 2 is a front elevation view thereof;

FIG. 3 is a rear elevation view thereof;

FIG. 4 is a left-side elevation view thereof;

FIG. 5 is a right-side elevation view thereof;

FIG. 6 is a top plan view thereof; and,

FIG. 7 is a bottom plan view thereof.

The broken lines shown are included for the purpose of illustrating the unclaimed portions of the article and form no part of the claim.

1 Claim, 7 Drawing Sheets

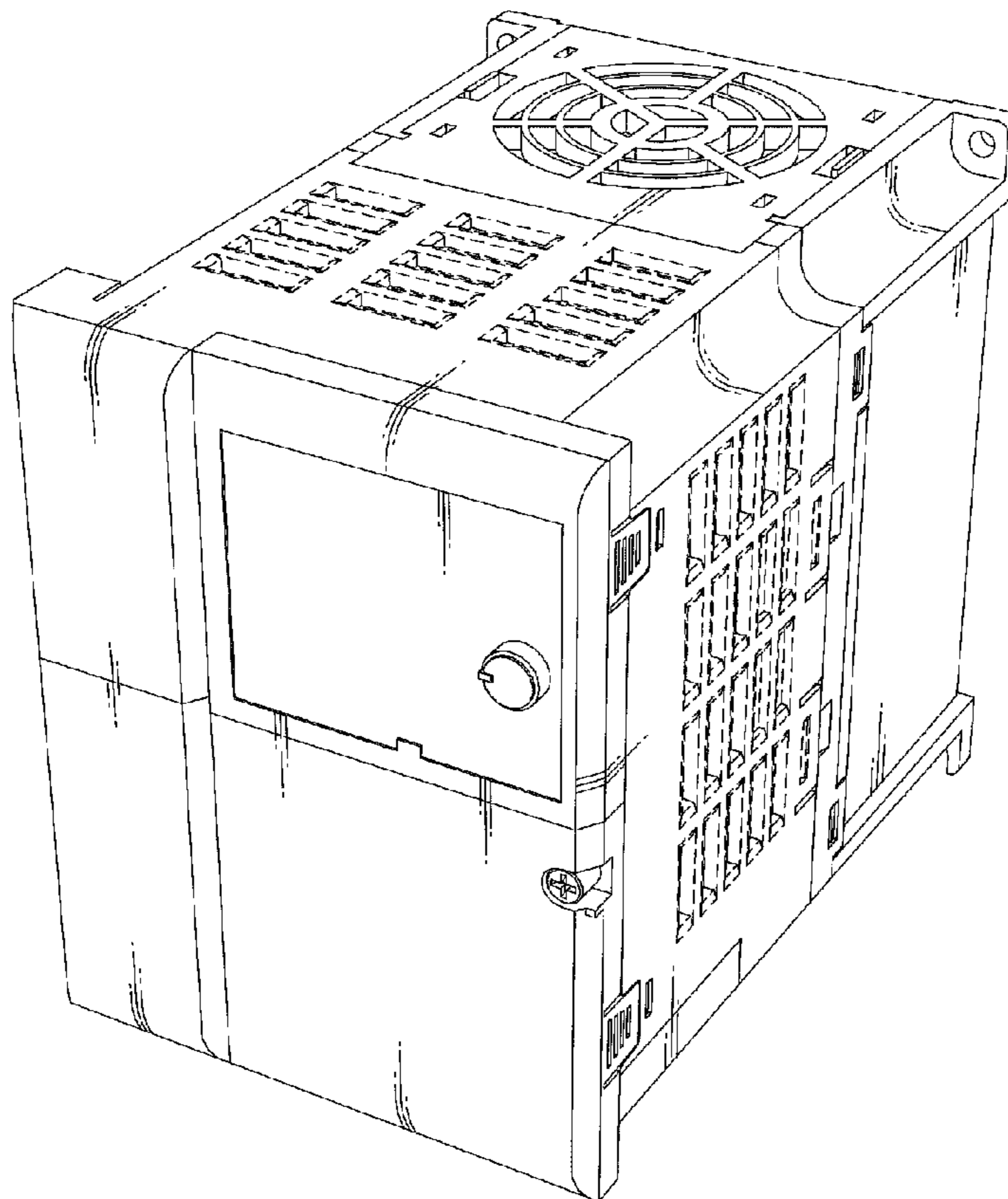


FIG.1

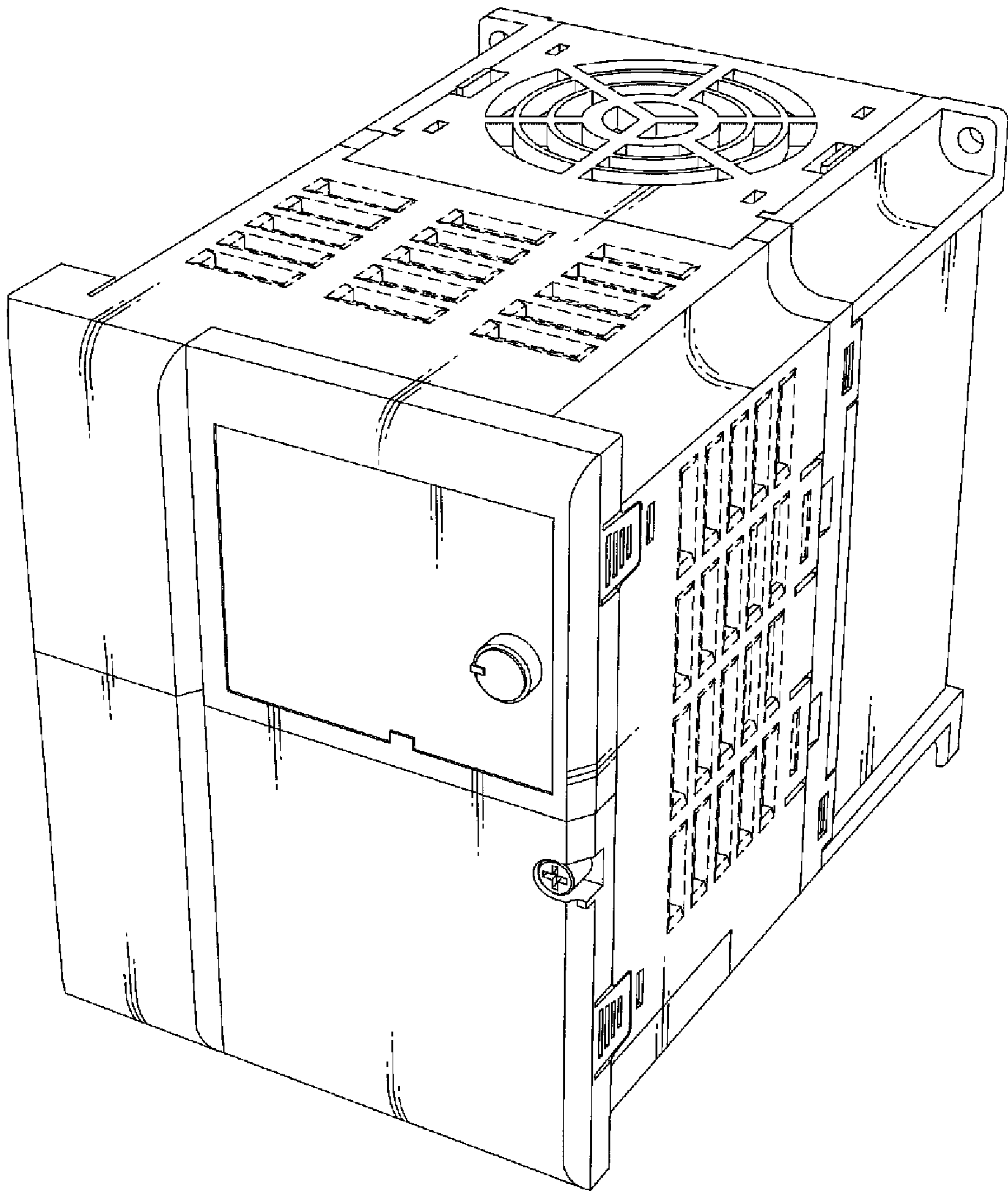


FIG.2

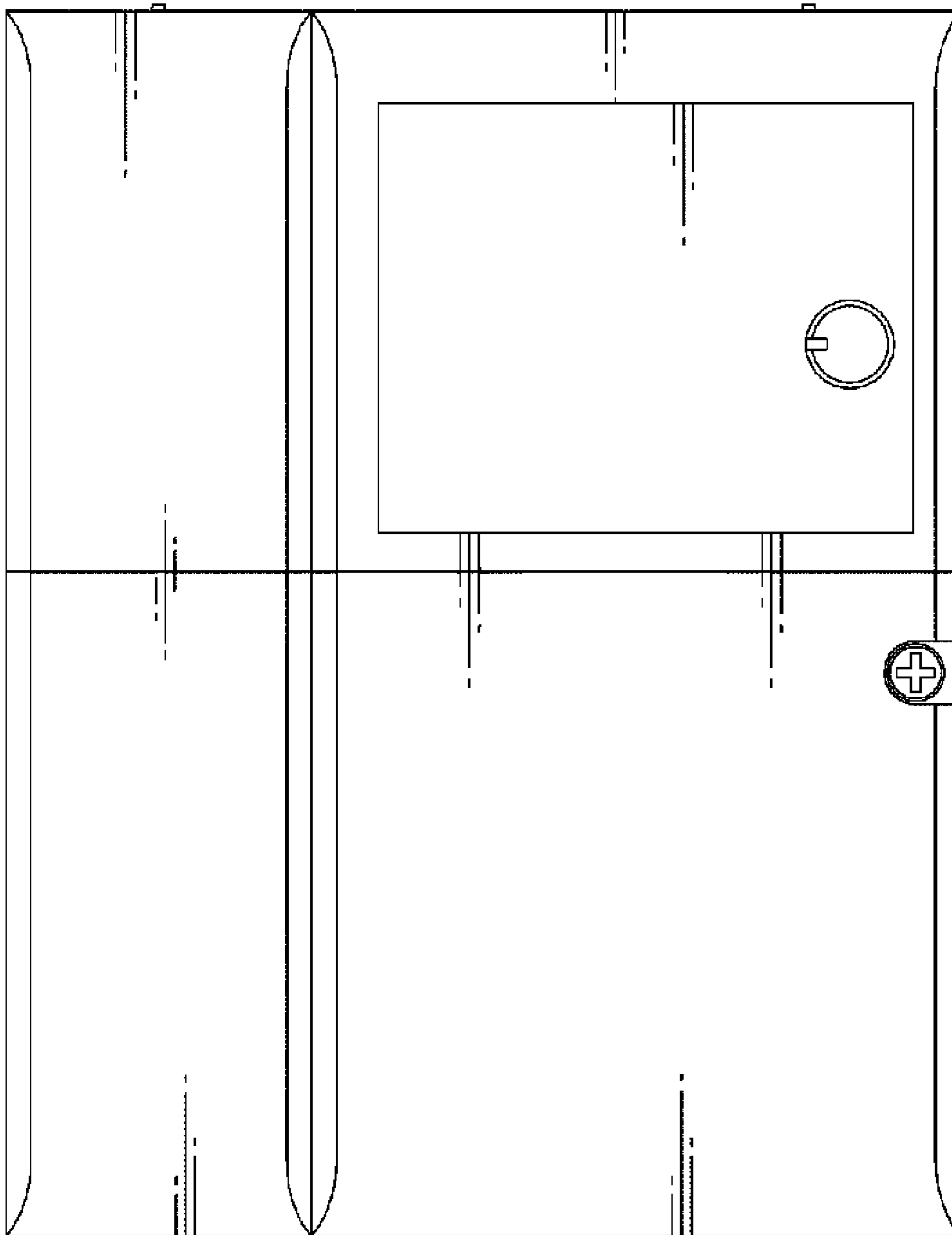


FIG.3

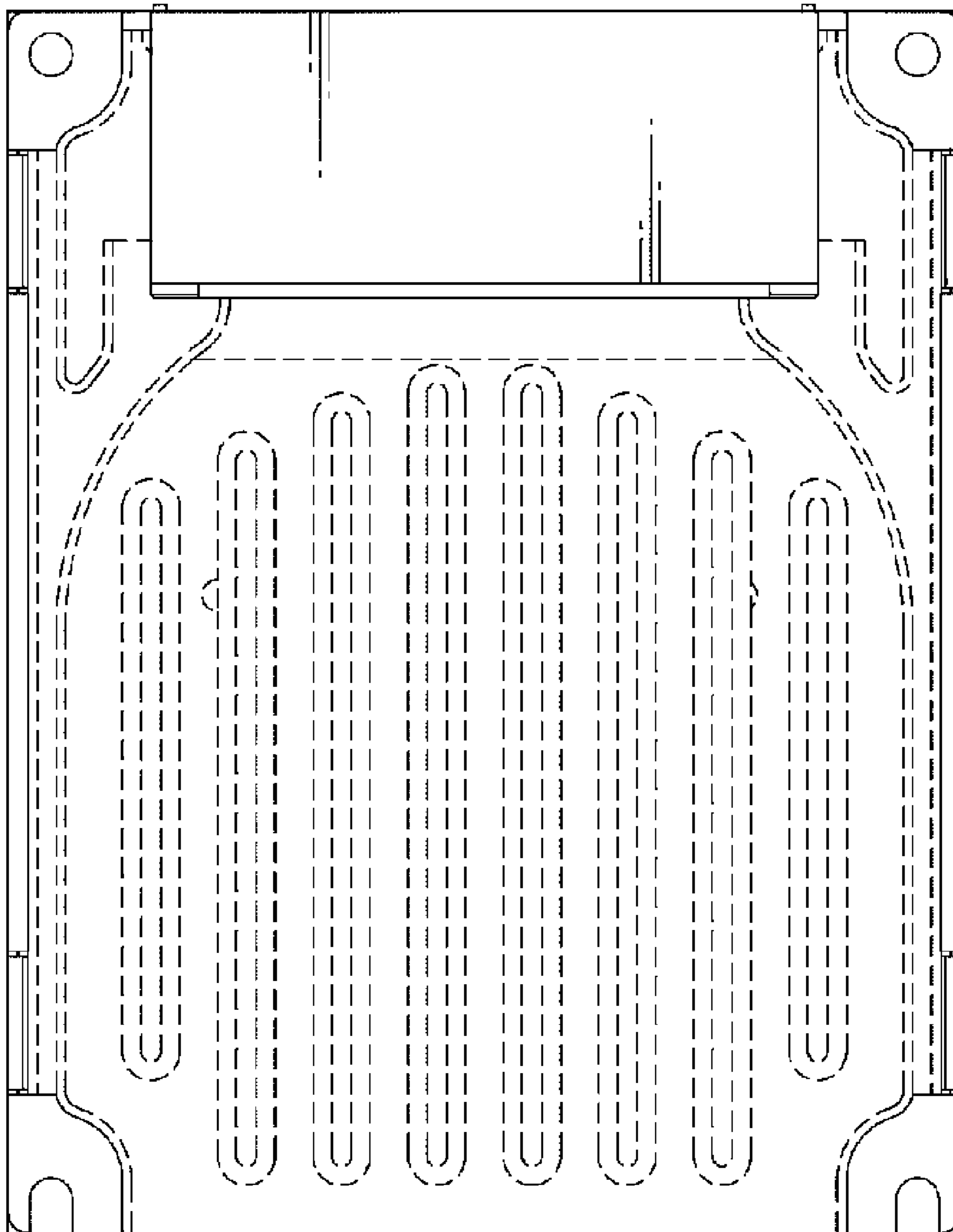


FIG.4

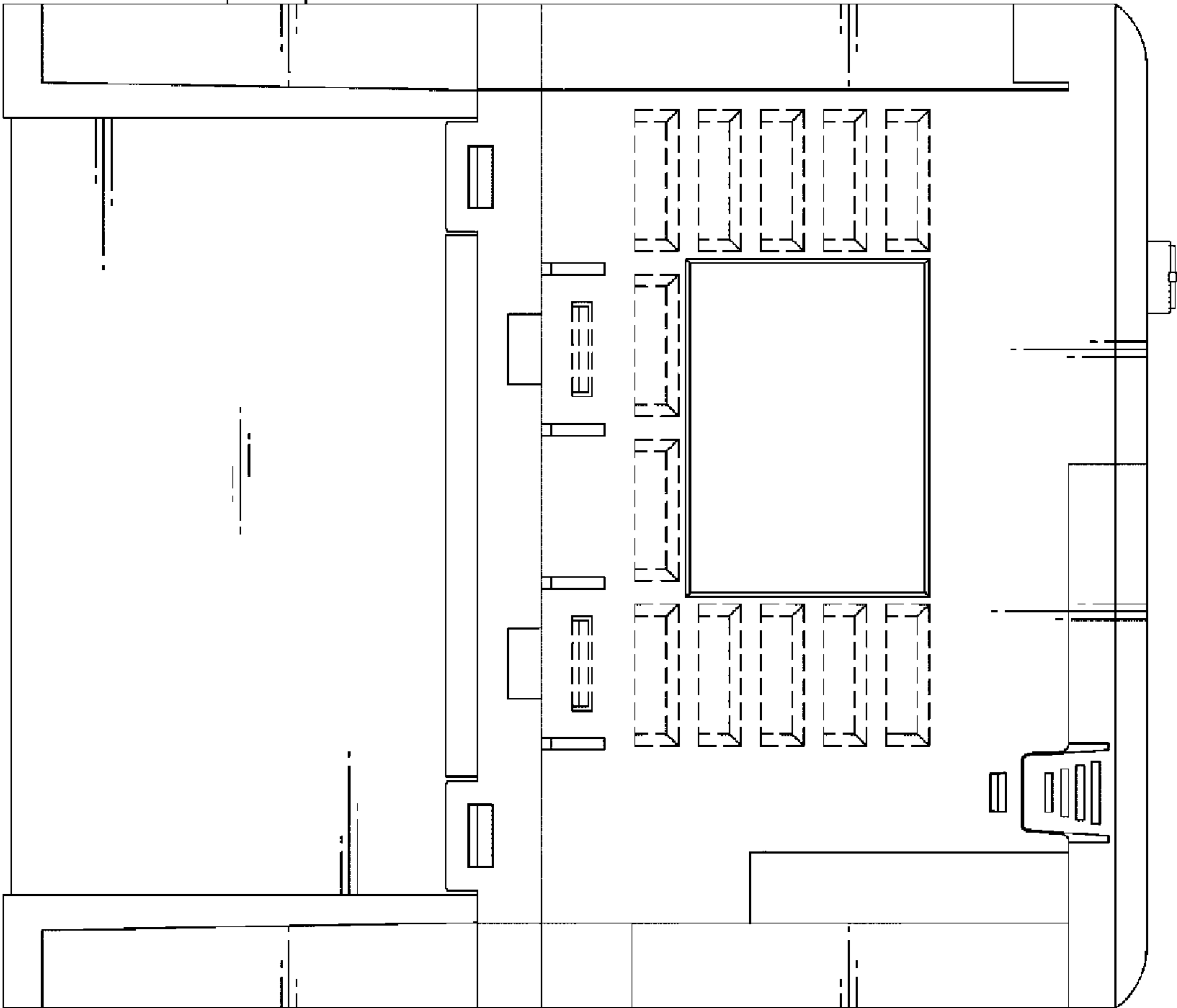


FIG.5

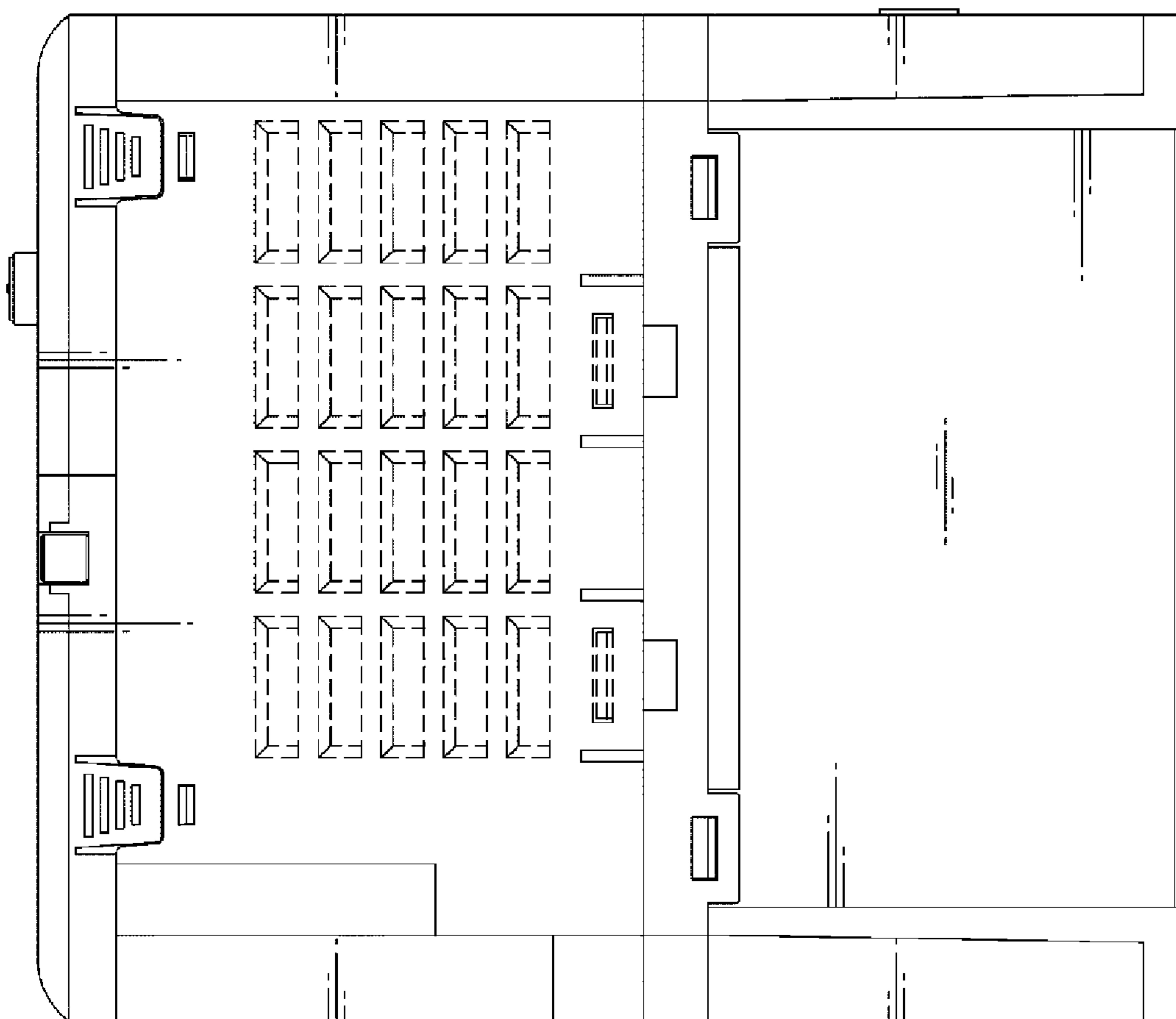


FIG.6

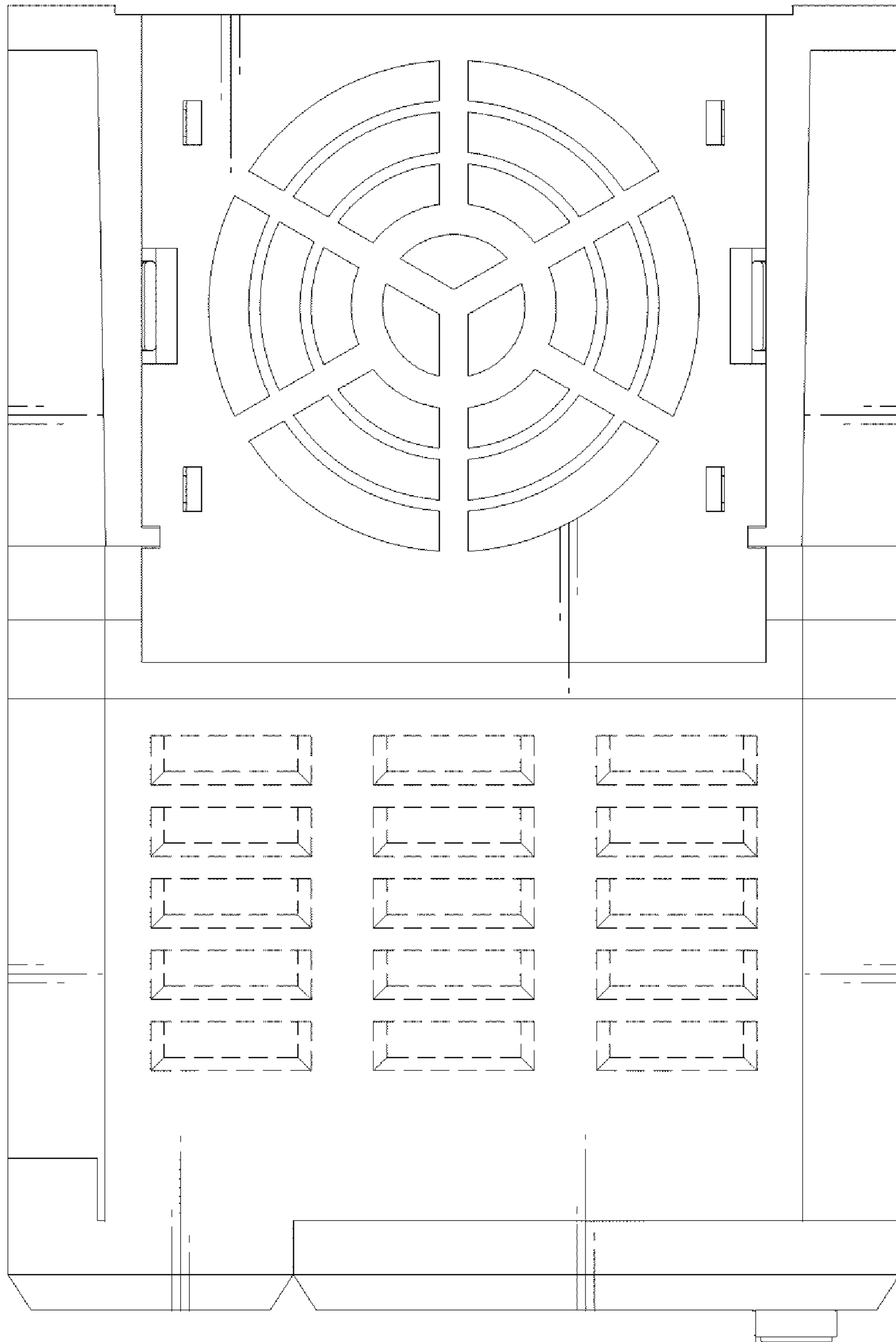


FIG.7

