

US00D654023S

(12) **United States Design Patent**  
**Kyle Ching Hao**

(10) **Patent No.:** **US D654,023 S**

(45) **Date of Patent:** **\*\* Feb. 14, 2012**

(54) **BACKUP POWER SOURCE**

(76) Inventor: **Lam Kyle Ching Hao**, Dong Guan (CN)

(\*\*) Term: **14 Years**

(21) Appl. No.: **29/379,522**

(22) Filed: **Nov. 19, 2010**

(30) **Foreign Application Priority Data**

Jun. 26, 2010 (CN) ..... 2010 3 0216835

(51) **LOC (9) Cl.** ..... **13-02**

(52) **U.S. Cl.** ..... **D13/110**

(58) **Field of Classification Search** ..... D13/110,  
D13/101, 102, 103, 107, 108, 118, 119, 123,  
D13/184, 199; 307/62, 82, 109, 150, 151;  
320/104, 107, 111, 112, 113, 115, 132, 134,  
320/150; 361/600, 601, 623; 429/96, 97,  
429/98, 99, 100, 163, 170, 176

See application file for complete search history.

(56) **References Cited**

**U.S. PATENT DOCUMENTS**

D416,537 S \* 11/1999 Imai et al. .... D13/116  
D494,928 S \* 8/2004 Fan ..... D13/112  
D511,139 S \* 11/2005 Xiao ..... D13/116

D559,777 S \* 1/2008 Hu et al. .... D13/110  
D562,238 S \* 2/2008 Nozaki et al. .... D13/114  
D590,771 S \* 4/2009 Yeh ..... D13/110  
D611,406 S \* 3/2010 Oikawa et al. .... D13/102

\* cited by examiner

*Primary Examiner* — Derrick Holland

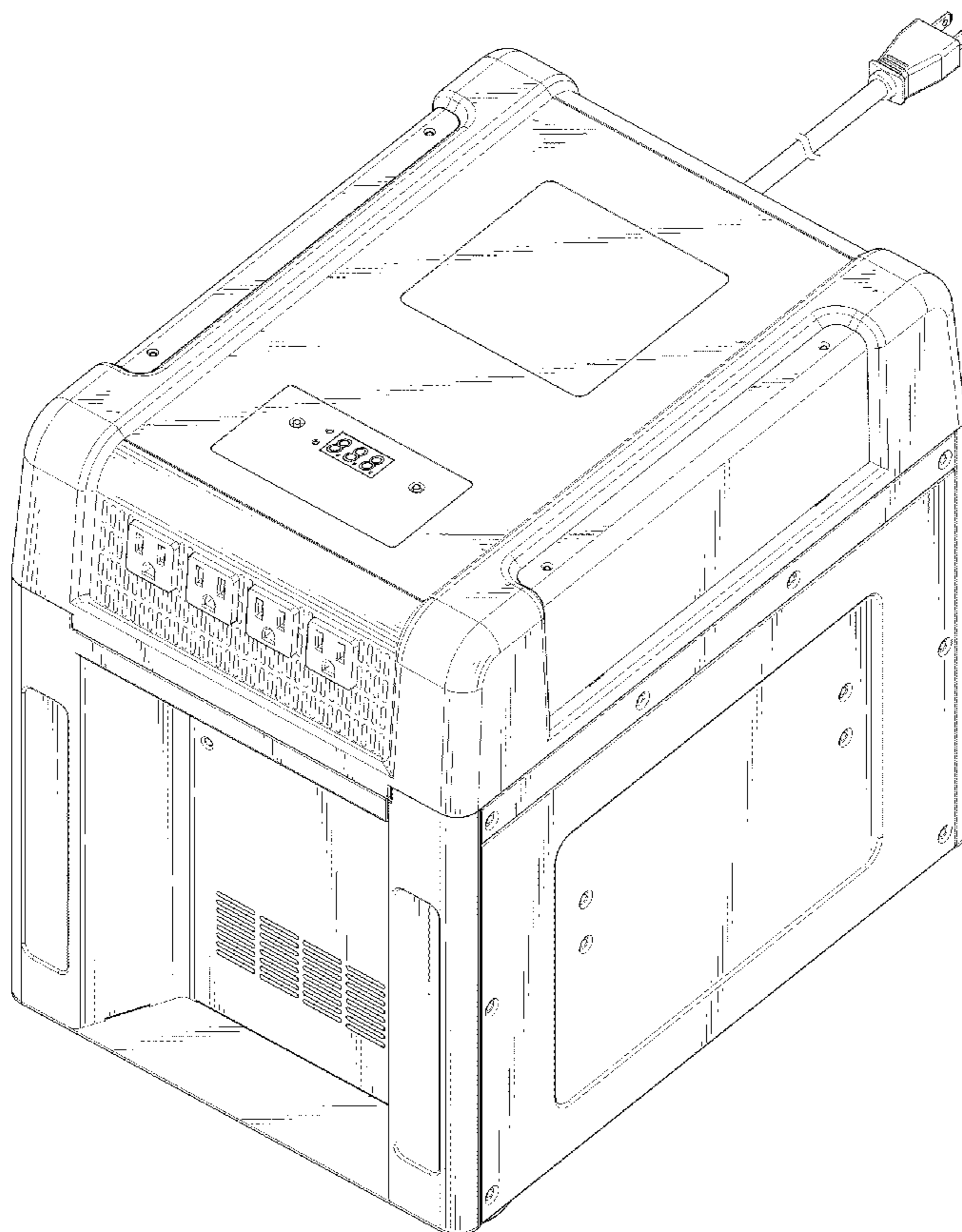
(57) **CLAIM**

The ornamental design for a backup power source, as shown and described.

**DESCRIPTION**

FIG. 1 is a perspective view of a backup power source showing my new design;  
FIG. 2 is a front elevational view thereof;  
FIG. 3 is a rear elevational view thereof;  
FIG. 4 is a left side elevational view thereof;  
FIG. 5 is a right side elevational view thereof;  
FIG. 6 is a top plan view thereof;  
FIG. 7 is a bottom plan view thereof;  
FIG. 8 is a bottom perspective view thereof; and,  
FIG. 9 is an exploded perspective view thereof.  
The broken lines shown are included for the purpose of illustrating environmental structure and form no part of the claimed design.

**1 Claim, 9 Drawing Sheets**



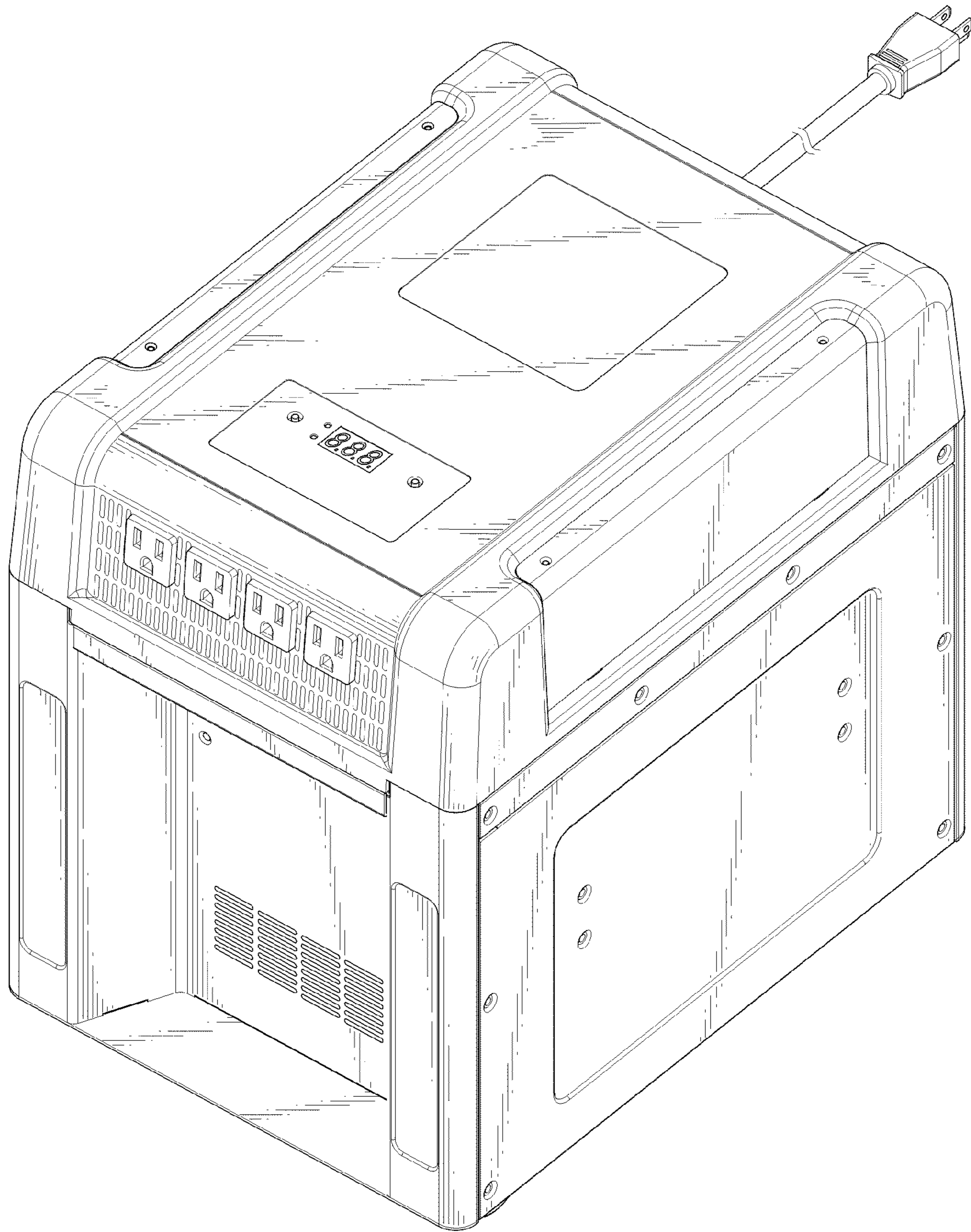


FIG. 1

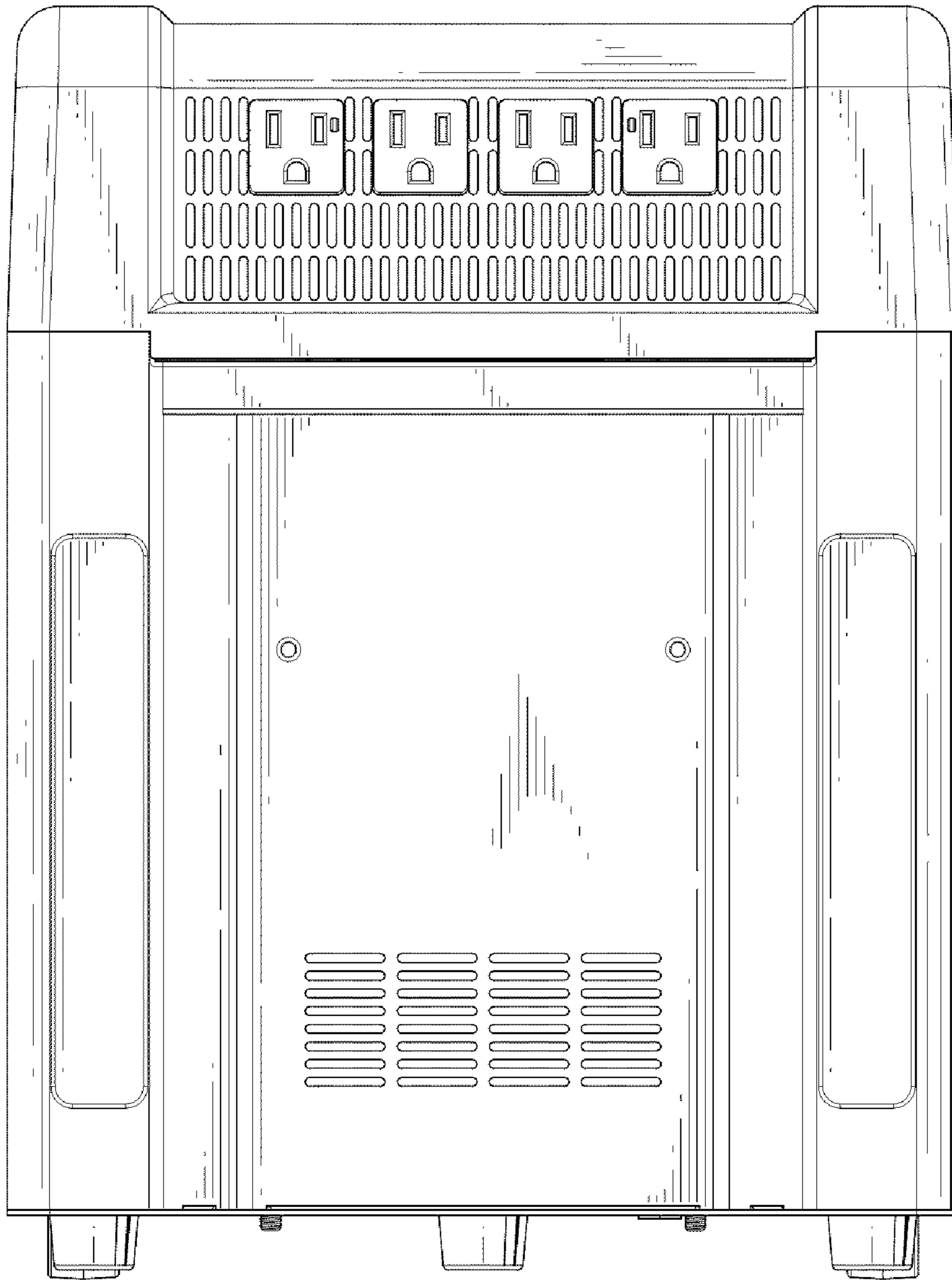


FIG. 2

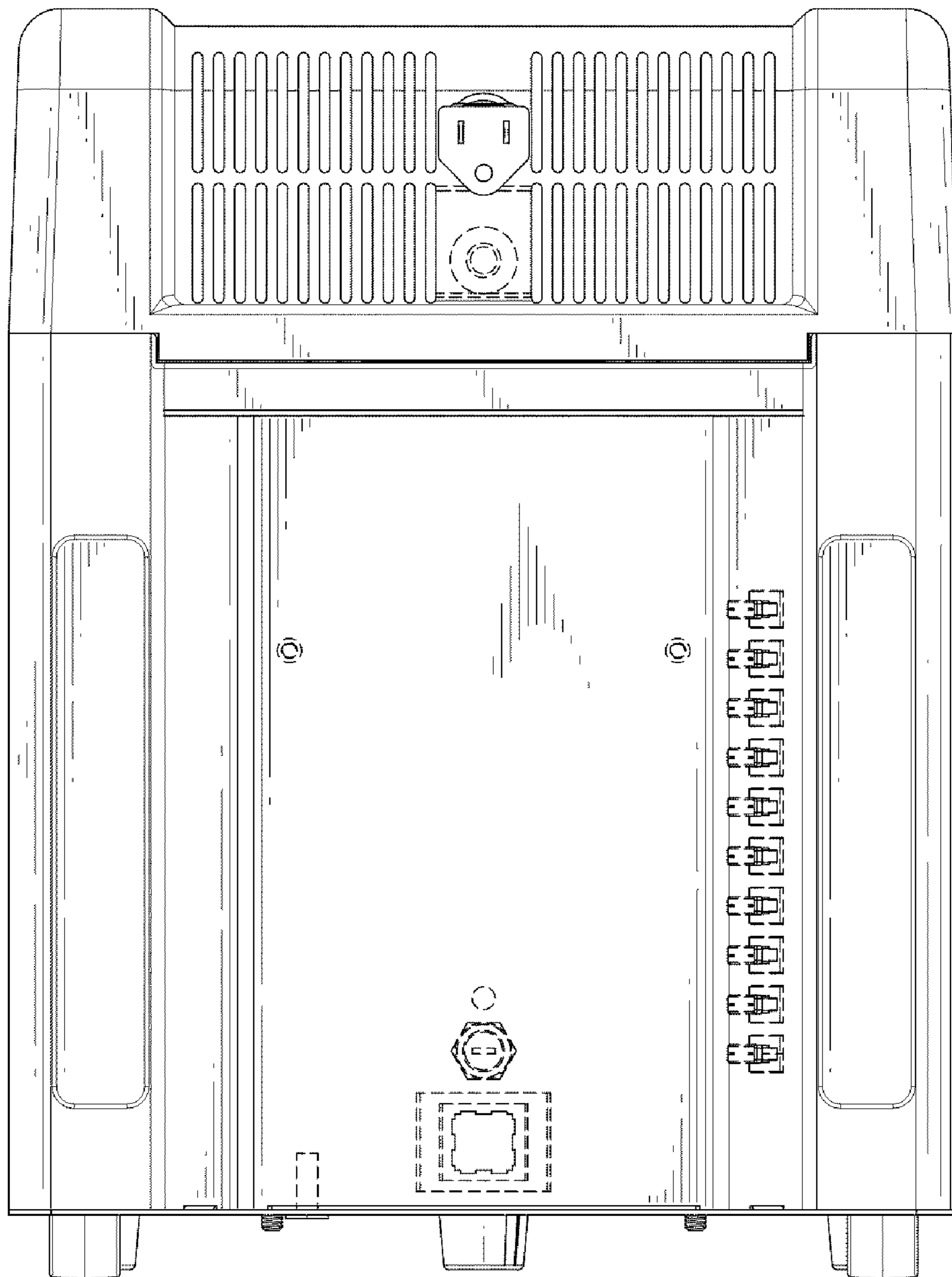


FIG. 3

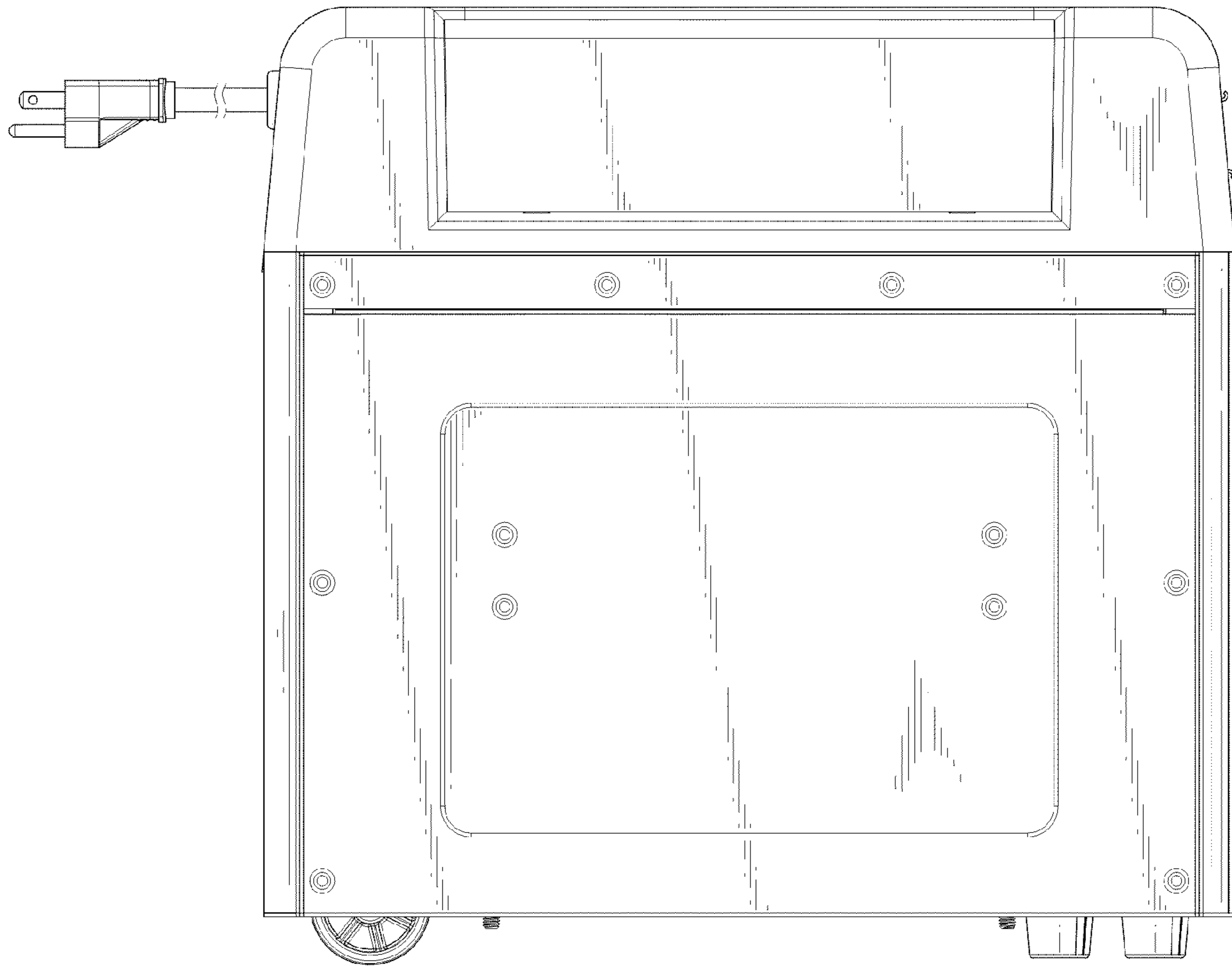


FIG. 4

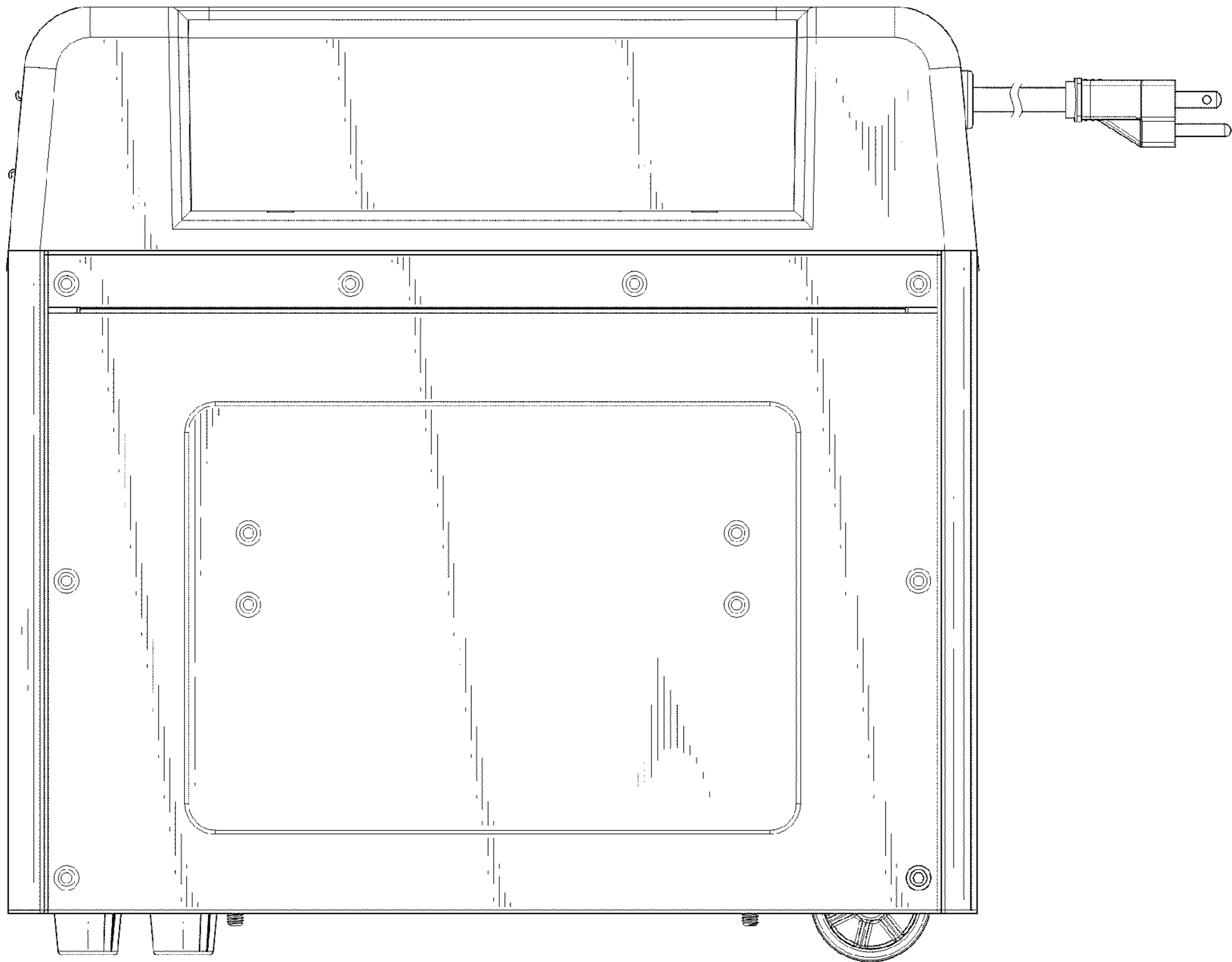


FIG. 5

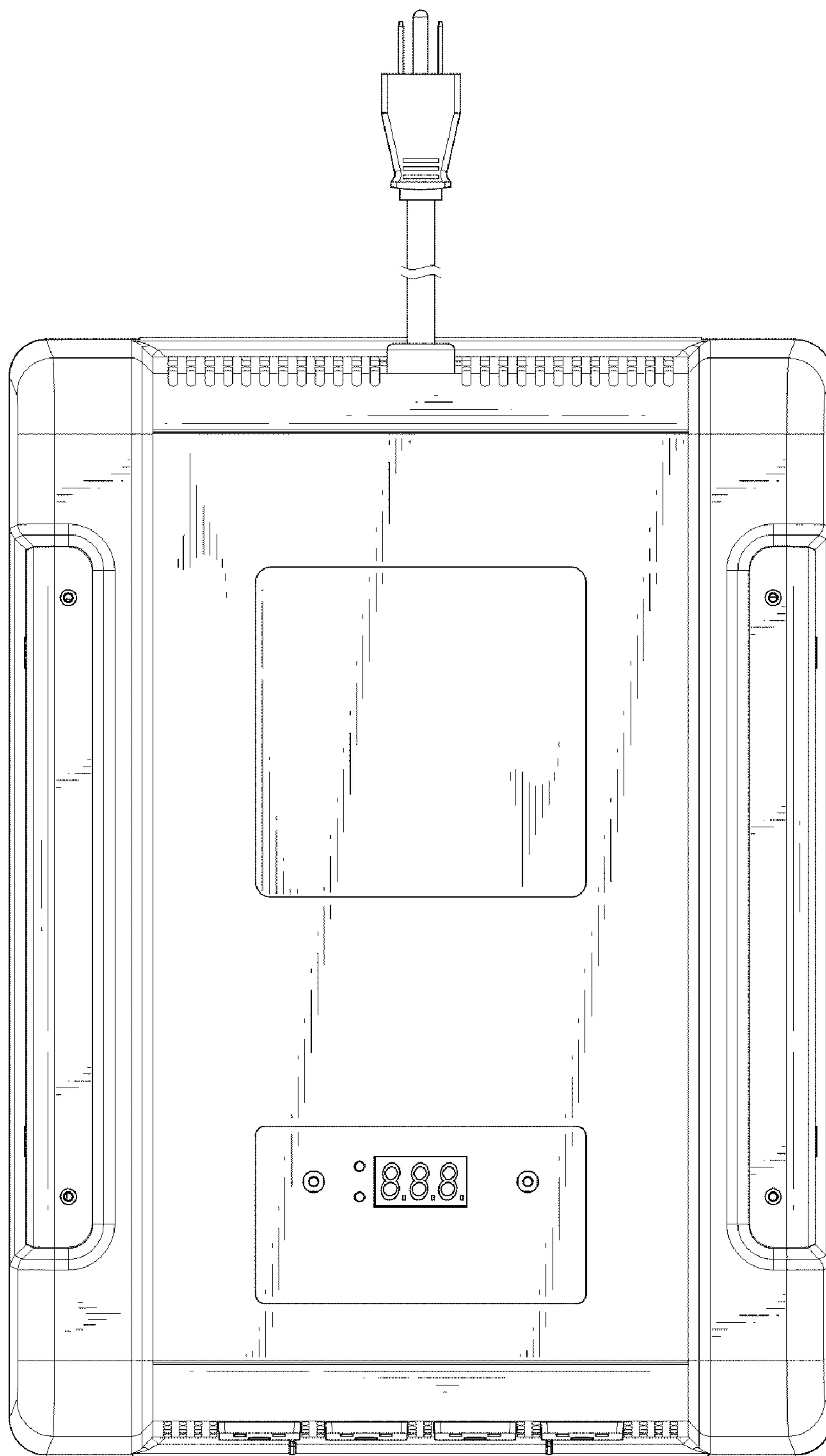


FIG. 6

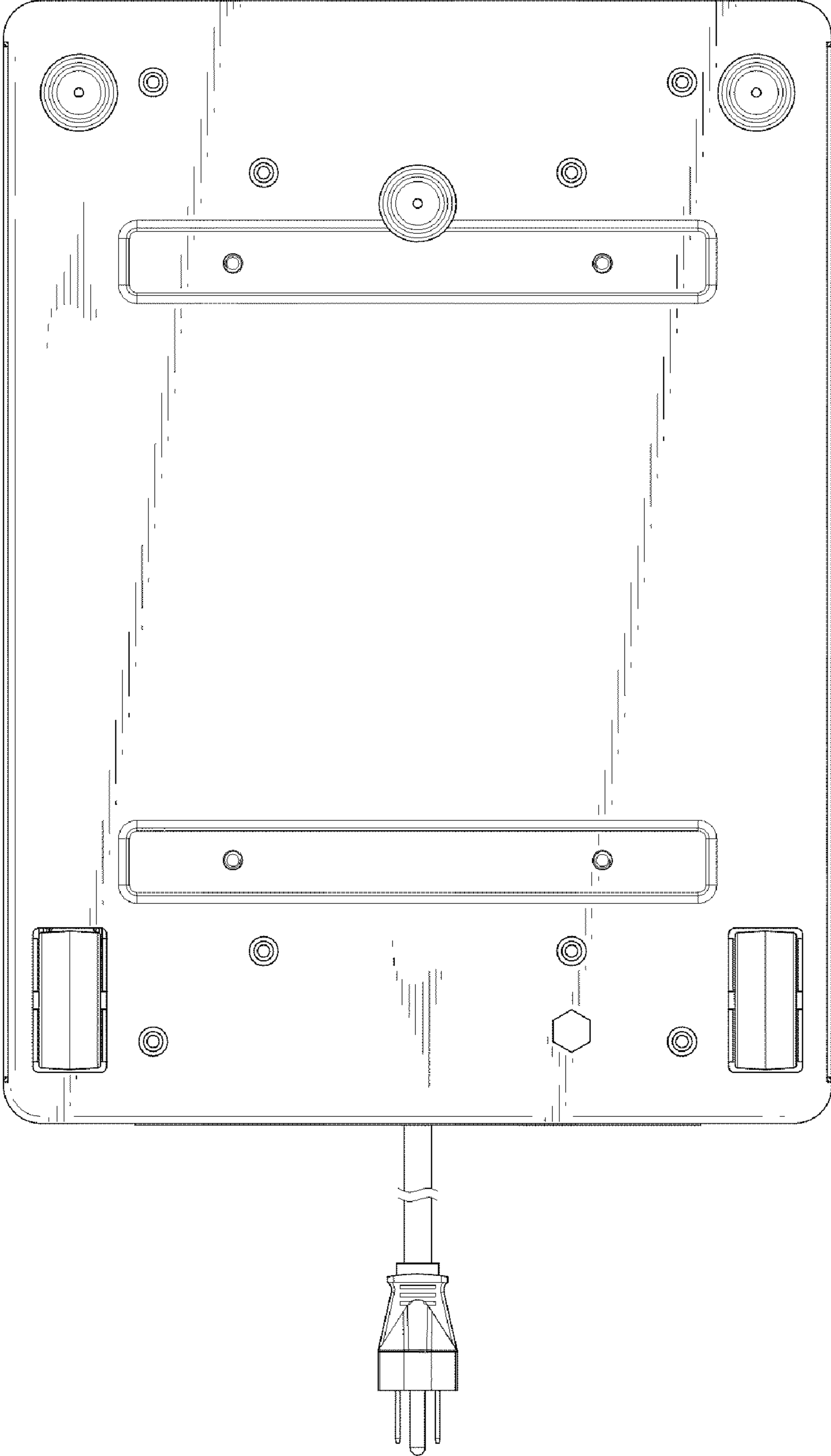


FIG. 7



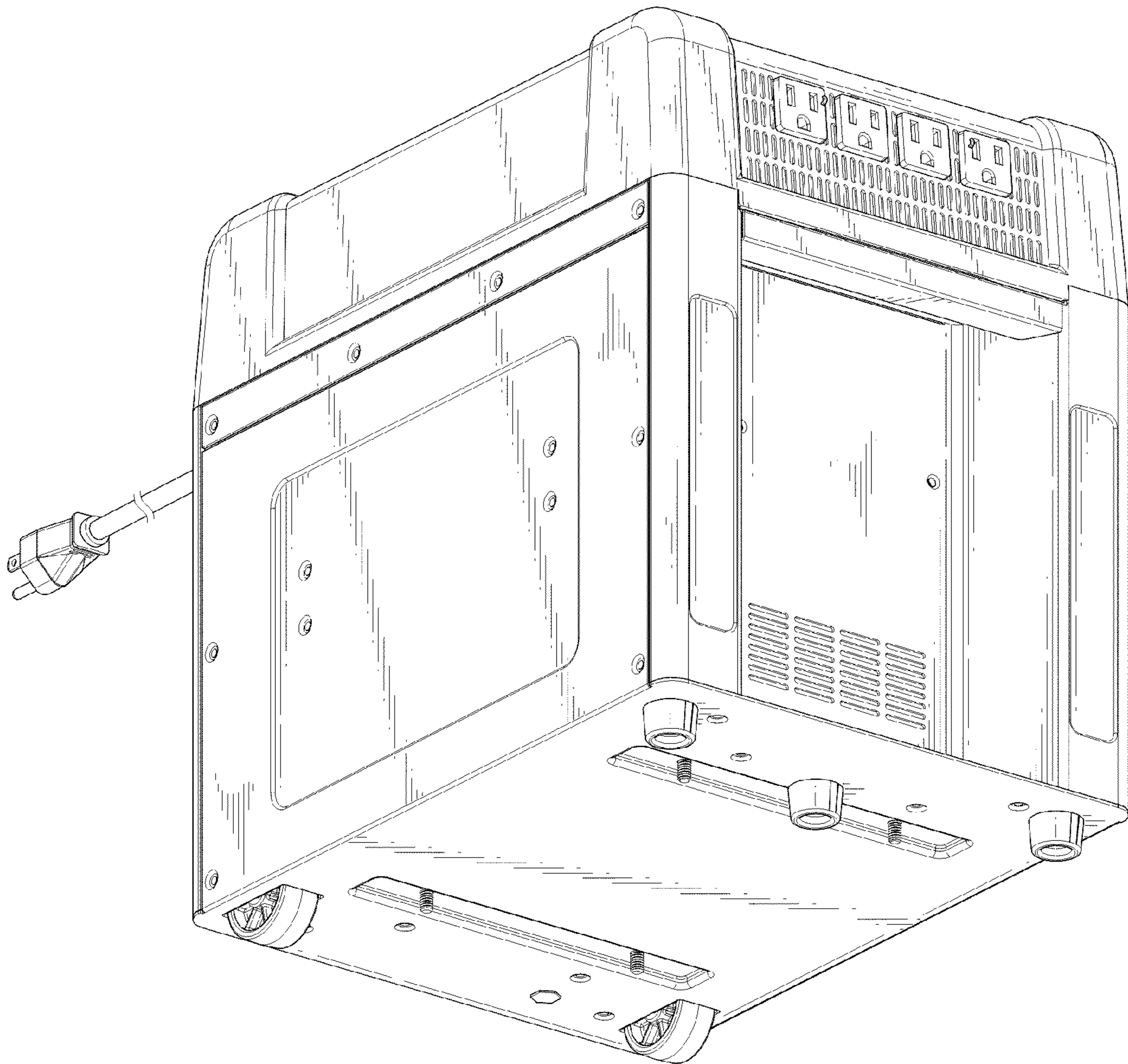


FIG. 8

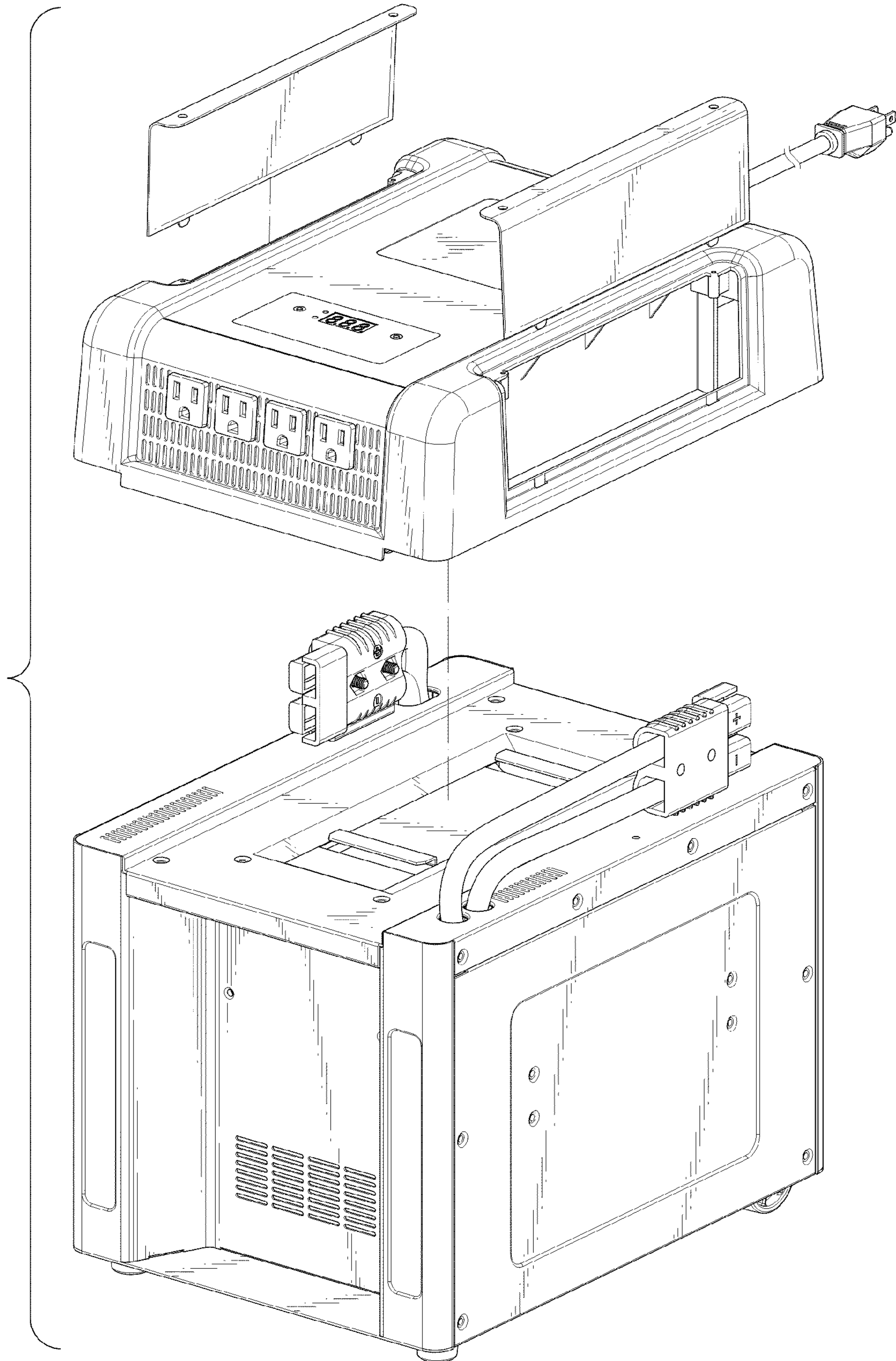


FIG. 9