



US00D654019S

(12) **United States Design Patent**  
**Ikegame**

(10) **Patent No.:** **US D654,019 S**  
(45) **Date of Patent:** **\*\* Feb. 14, 2012**

(54) **BATTERY CHARGER FOR ELECTRONIC CASSETTE**

(75) Inventor: **Haruka Ikegame**, Ashigarakami-gun (JP)

(73) Assignee: **Fujifilm Corporation**, Tokyo (JP)

(\*\*) Term: **14 Years**

(21) Appl. No.: **29/390,968**

(22) Filed: **May 2, 2011**

(30) **Foreign Application Priority Data**

Nov. 26, 2010 (JP) ..... 2010-028293

(51) **LOC (9) Cl.** ..... **13-02**

(52) **U.S. Cl.** ..... **D13/108**

(58) **Field of Classification Search** ..... D13/107-110,  
D13/118-119, 138.1-138.2, 184, 199; D14/251,  
D14/253, 432, 434; 320/107-115  
See application file for complete search history.

(56) **References Cited**

**U.S. PATENT DOCUMENTS**

D254,980 S \* 5/1980 White et al. .... D21/395  
D327,248 S \* 6/1992 Hotsumi et al. .... D13/108

D336,631 S \* 6/1993 Ivester ..... D13/108  
D337,986 S \* 8/1993 Brunner et al. .... D13/108  
D350,540 S \* 9/1994 Hyvonen ..... D14/149  
D375,936 S \* 11/1996 Palatov ..... D13/108  
D388,764 S \* 1/1998 Bartling et al. .... D13/107  
D402,258 S \* 12/1998 Kawakami ..... D13/107  
D532,365 S \* 11/2006 Shen ..... D13/107  
D590,770 S \* 4/2009 Moss ..... D13/108  
D623,188 S \* 9/2010 Son et al. .... D14/434  
D625,729 S \* 10/2010 McNames et al. .... D14/434  
2011/0084657 A1 \* 4/2011 Toya et al. .... 320/108

\* cited by examiner

*Primary Examiner* — Rosemary K Tarcza

(74) *Attorney, Agent, or Firm* — Sughrue Mion, PLLC

(57) **CLAIM**

The ornamental design for a battery charger for electronic cassette, as shown and described.

**DESCRIPTION**

FIG. 1 is a top, front and side perspective view of a battery charger for electronic cassette showing my new design; FIG. 2 is a front elevational view thereof; FIG. 3 is a rear elevational view thereof; FIG. 4 is a top plan view thereof; FIG. 5 is a bottom plan view thereof; FIG. 6 is a left side elevational view thereof; and, FIG. 7 is a right side elevational view thereof.

**1 Claim, 4 Drawing Sheets**

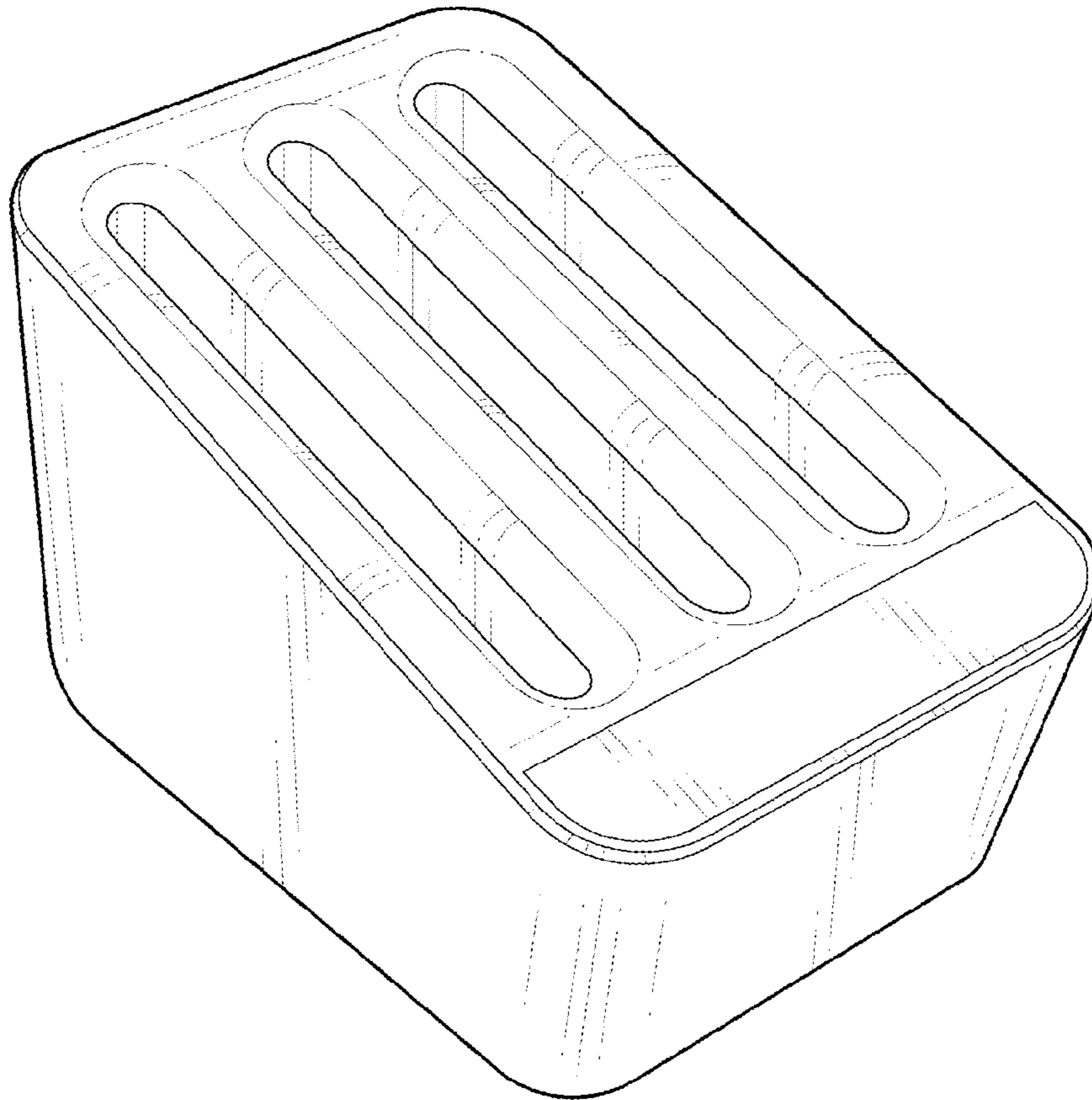


FIG. 1

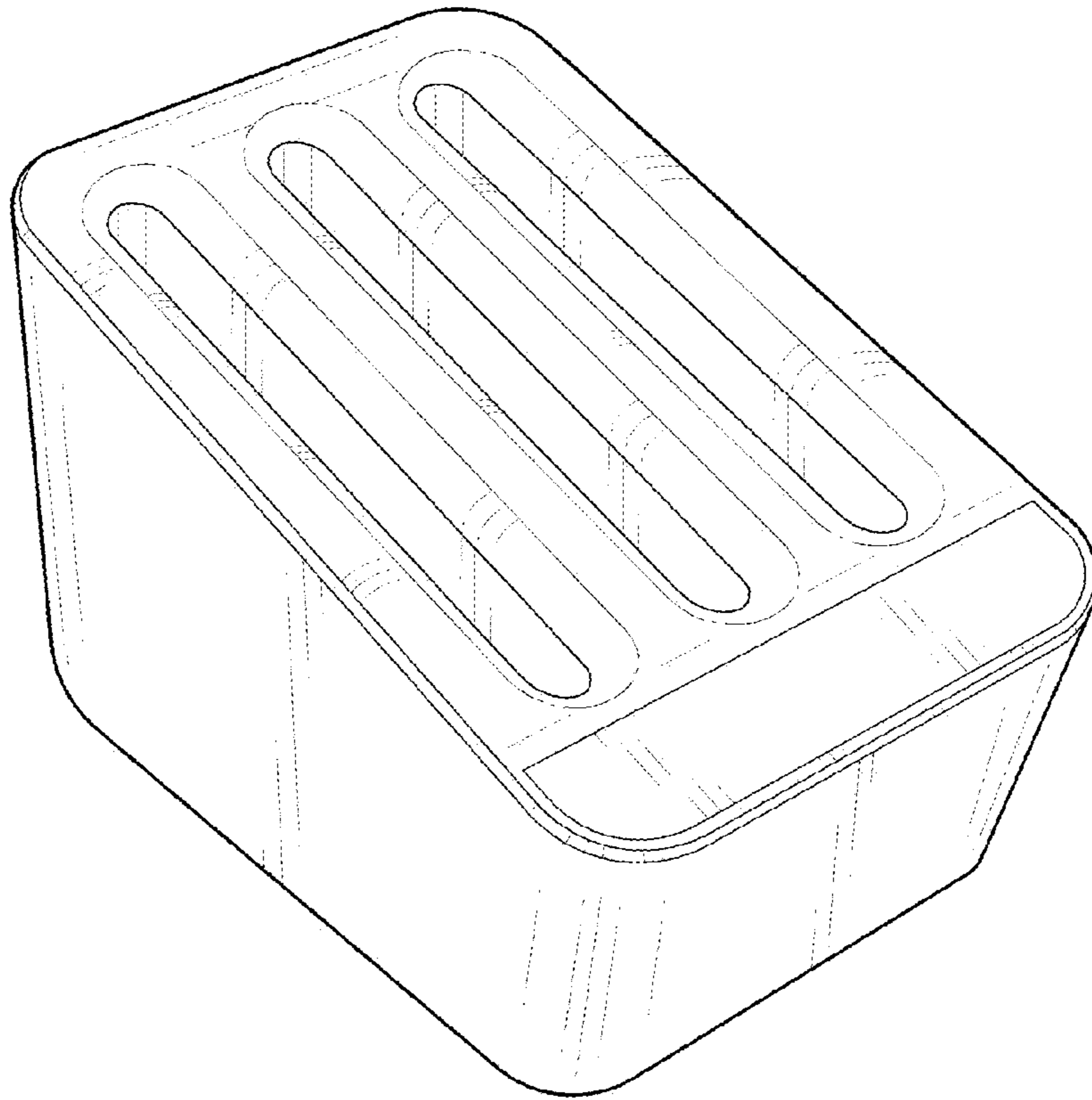


FIG. 2

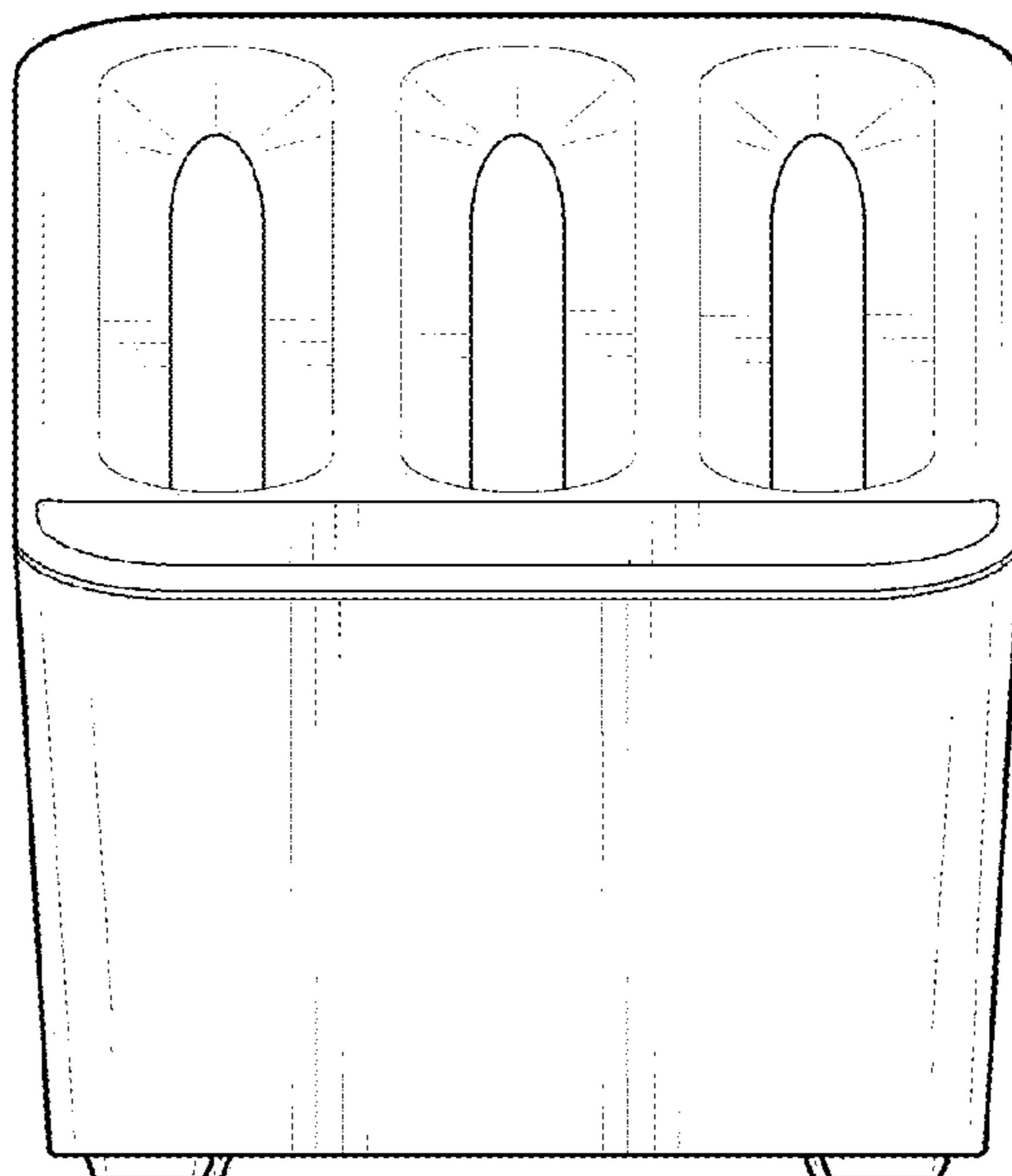


FIG. 3

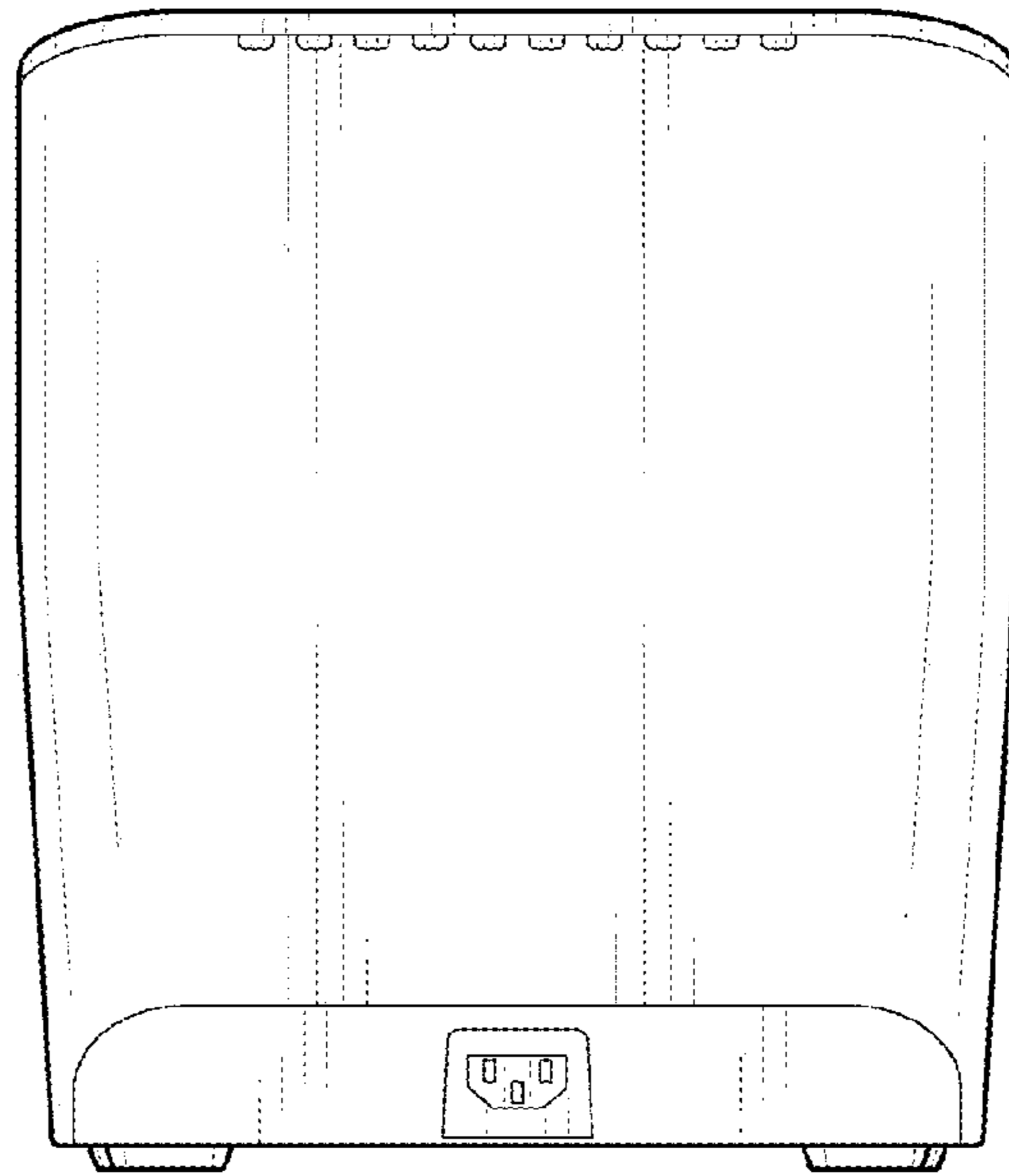


FIG. 4

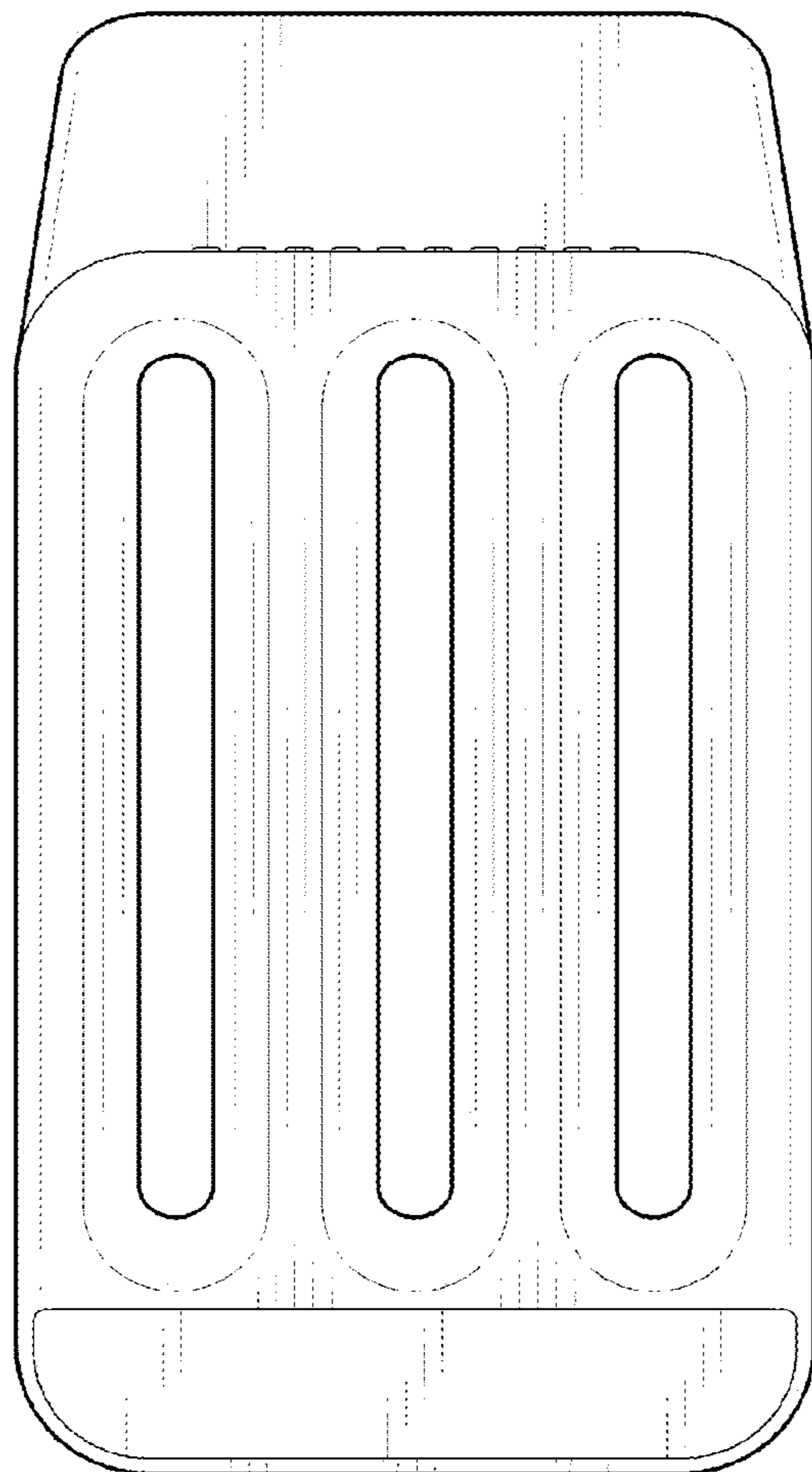


FIG. 5

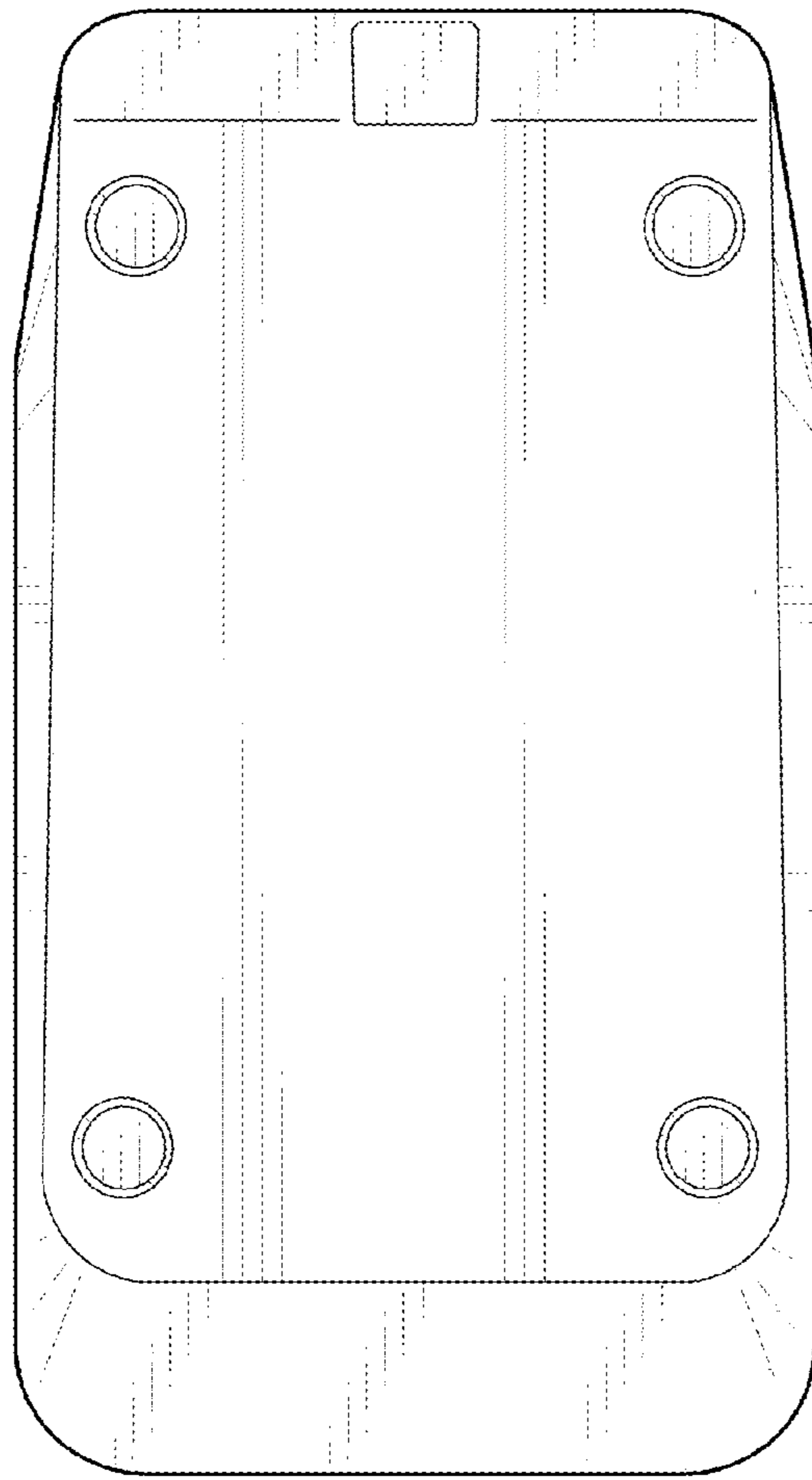


FIG. 6

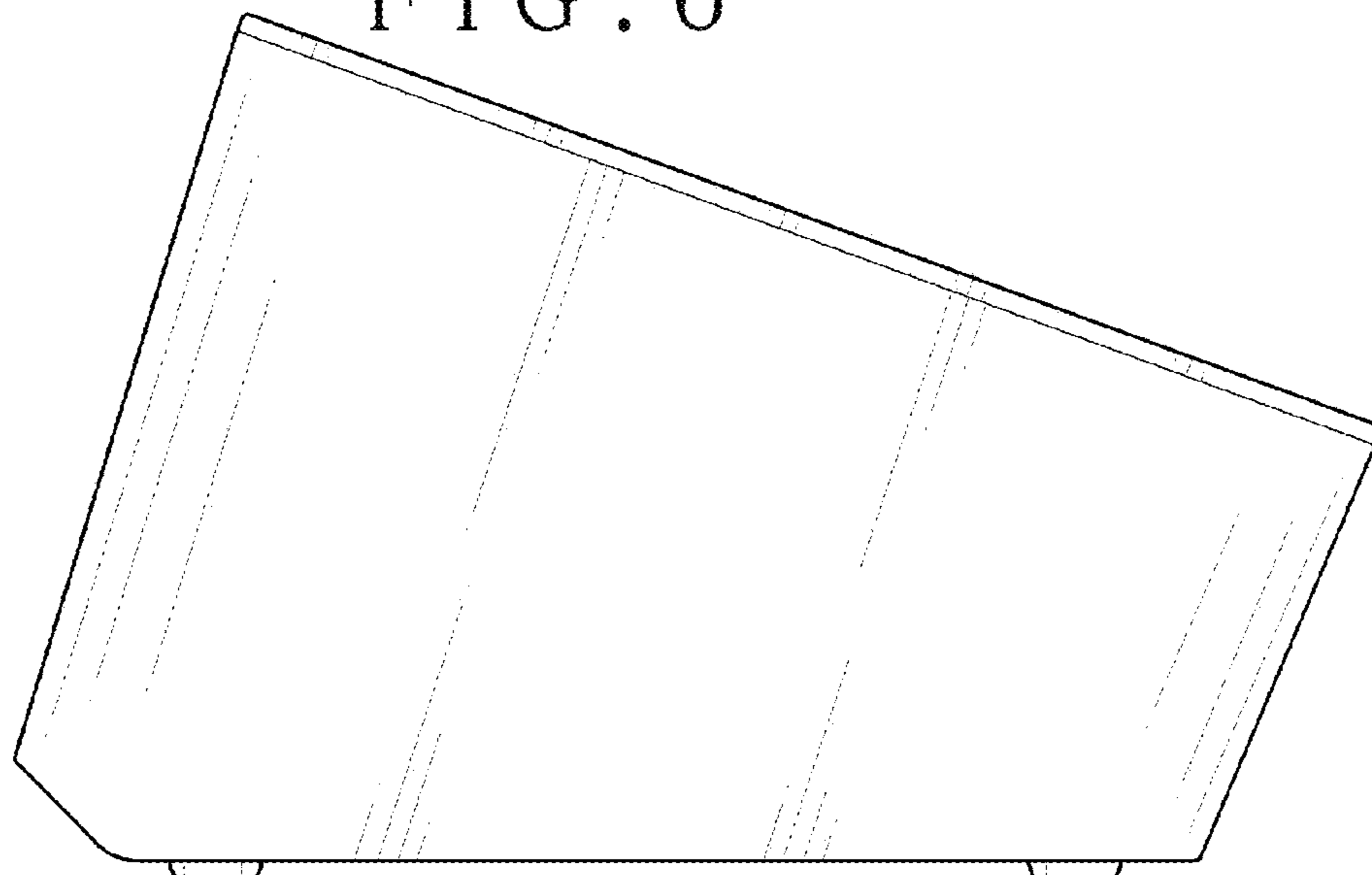


FIG. 7

