

US00D654018S

(12) **United States Design Patent**
Conley et al.

(10) **Patent No.:** **US D654,018 S**

(45) **Date of Patent:** **** Feb. 14, 2012**

(54) **BATTERY CHARGER**

(75) Inventors: **Shaun Conley**, Portland, OR (US);
Mark E. Schoening, Portland, OR (US)

(73) Assignee: **Blount, Inc.**, Portland, OR (US)

(**) Term: **14 Years**

(21) Appl. No.: **29/386,840**

(22) Filed: **Mar. 4, 2011**

(51) **LOC (9) Cl.** **13-02**

(52) **U.S. Cl.** **D13/107**

(58) **Field of Classification Search** D13/107-110,
D13/118-119, 184, 199; D14/251, 253,
D14/432, 434; 320/107-115

See application file for complete search history.

(56) **References Cited**

U.S. PATENT DOCUMENTS

D215,303	S	*	9/1969	Carpenter	D13/108
3,659,180	A	*	4/1972	Urbush	320/115
D275,482	S	*	9/1984	Coons et al.	D14/253
D306,594	S	*	3/1990	Taylor	D14/253
D307,016	S	*	4/1990	Watanabe	D14/240

5,059,885	A	*	10/1991	Weiss et al.	320/115
D408,418	S	*	4/1999	Pescetto et al.	D14/253
6,018,230	A	*	1/2000	Casey	320/114
D421,443	S	*	3/2000	Nagele et al.	D14/253
D623,131	S	*	9/2010	Kawakami et al.	D13/107

* cited by examiner

Primary Examiner — Rosemary K Tarcza

(74) *Attorney, Agent, or Firm* — Schwabe Williamson & Wyatt

(57) **CLAIM**

The ornamental design for a battery charger, as shown and described.

DESCRIPTION

FIG. 1 is a perspective view of a battery charger, showing our new design;

FIG. 2 is a front view thereof;

FIG. 3 is a rear view thereof;

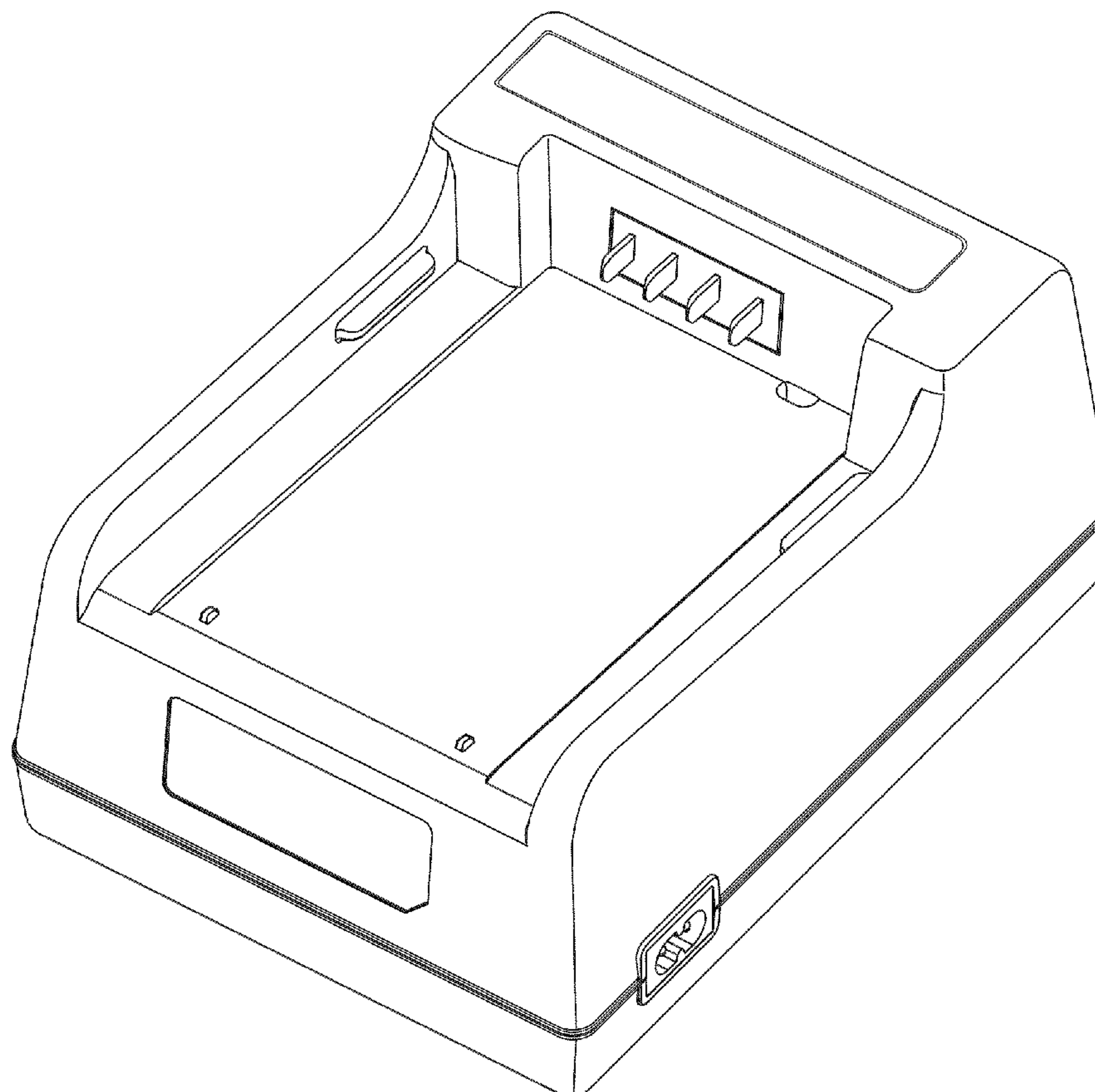
FIG. 4 is a left-side view thereof;

FIG. 5 is a right-side view thereof;

FIG. 6 is a top view thereof; and,

FIG. 7 is a bottom view thereof.

1 Claim, 7 Drawing Sheets



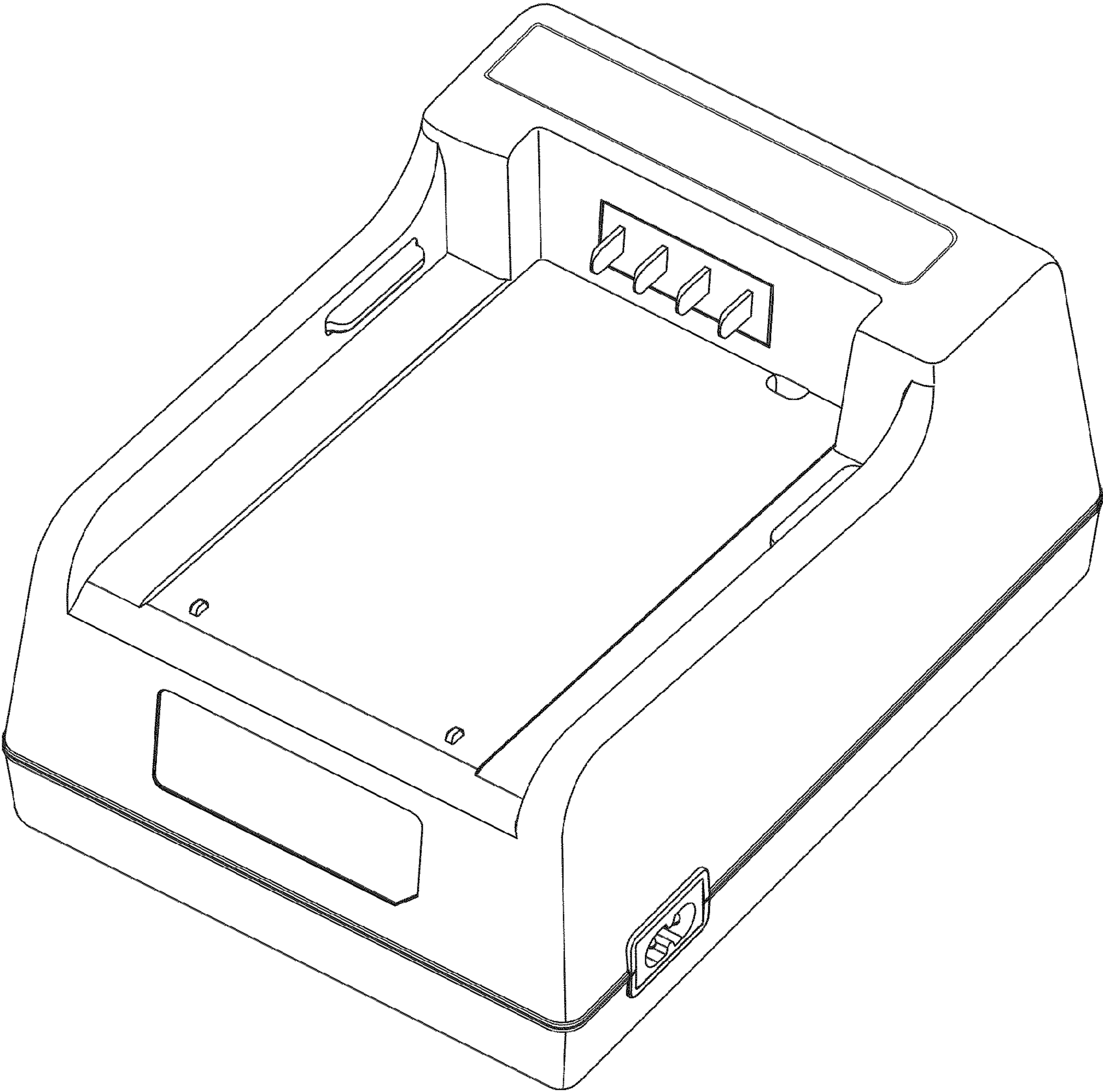


FIG. 1

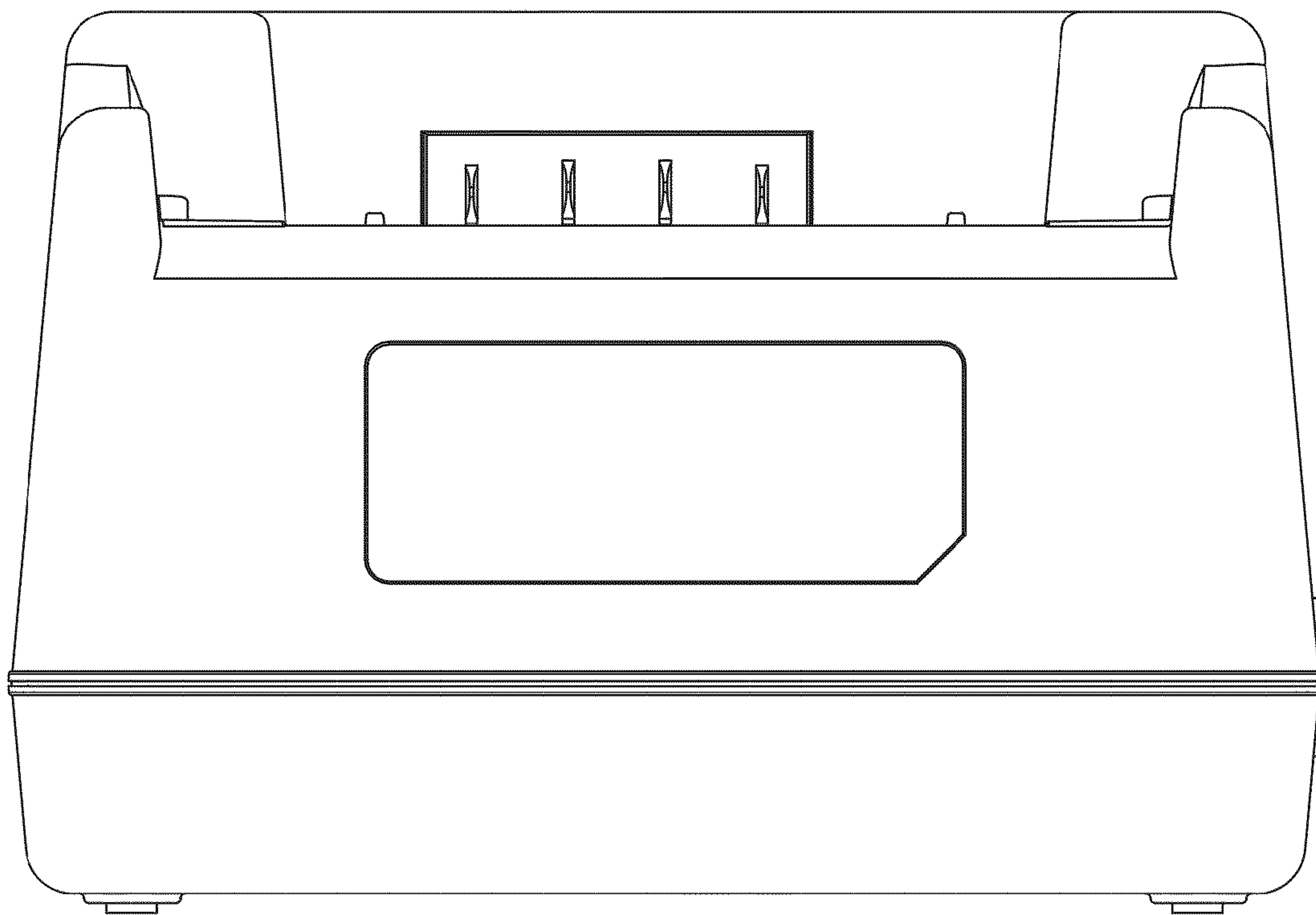


FIG. 2

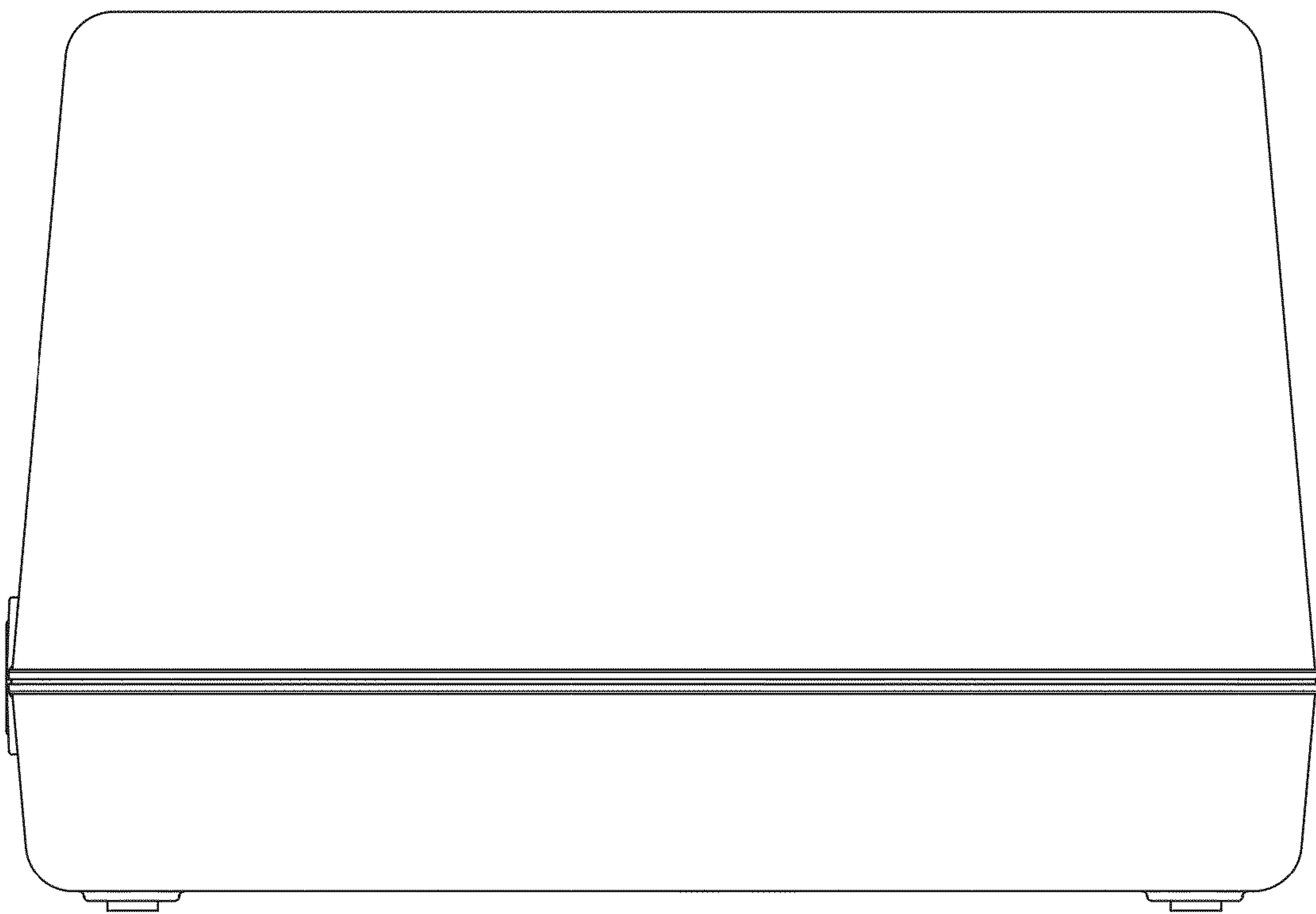


FIG. 3

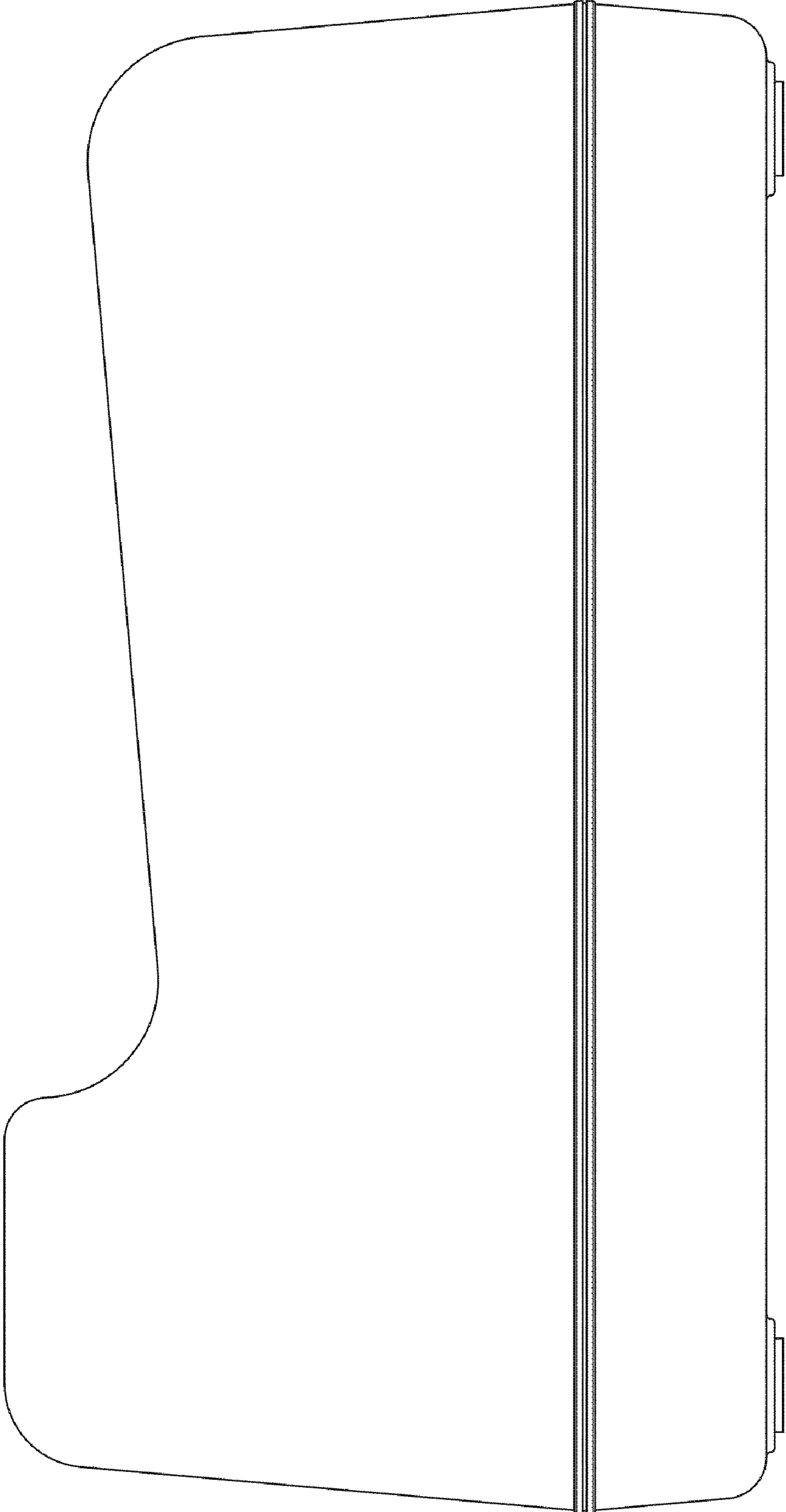


FIG. 4

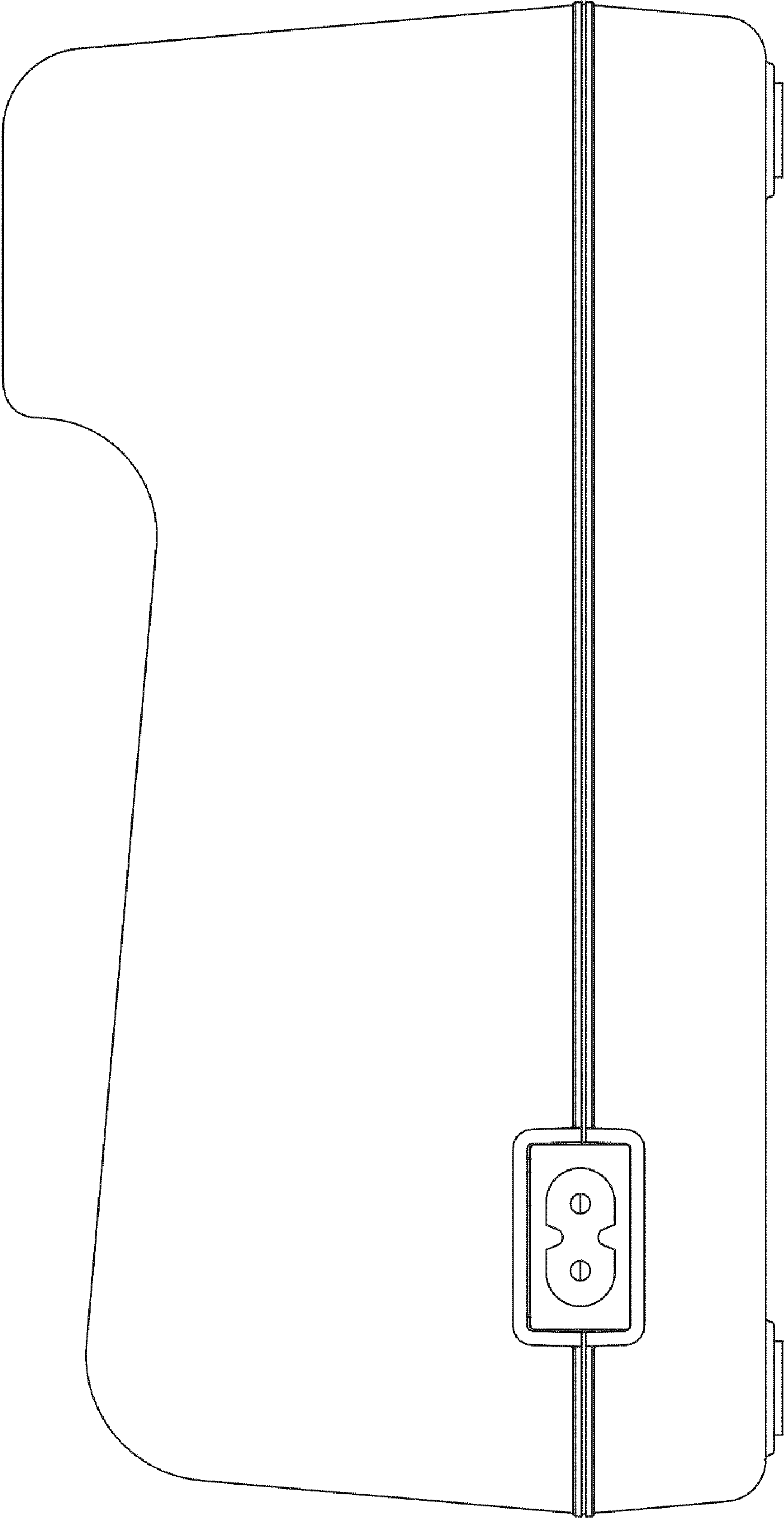


FIG. 5

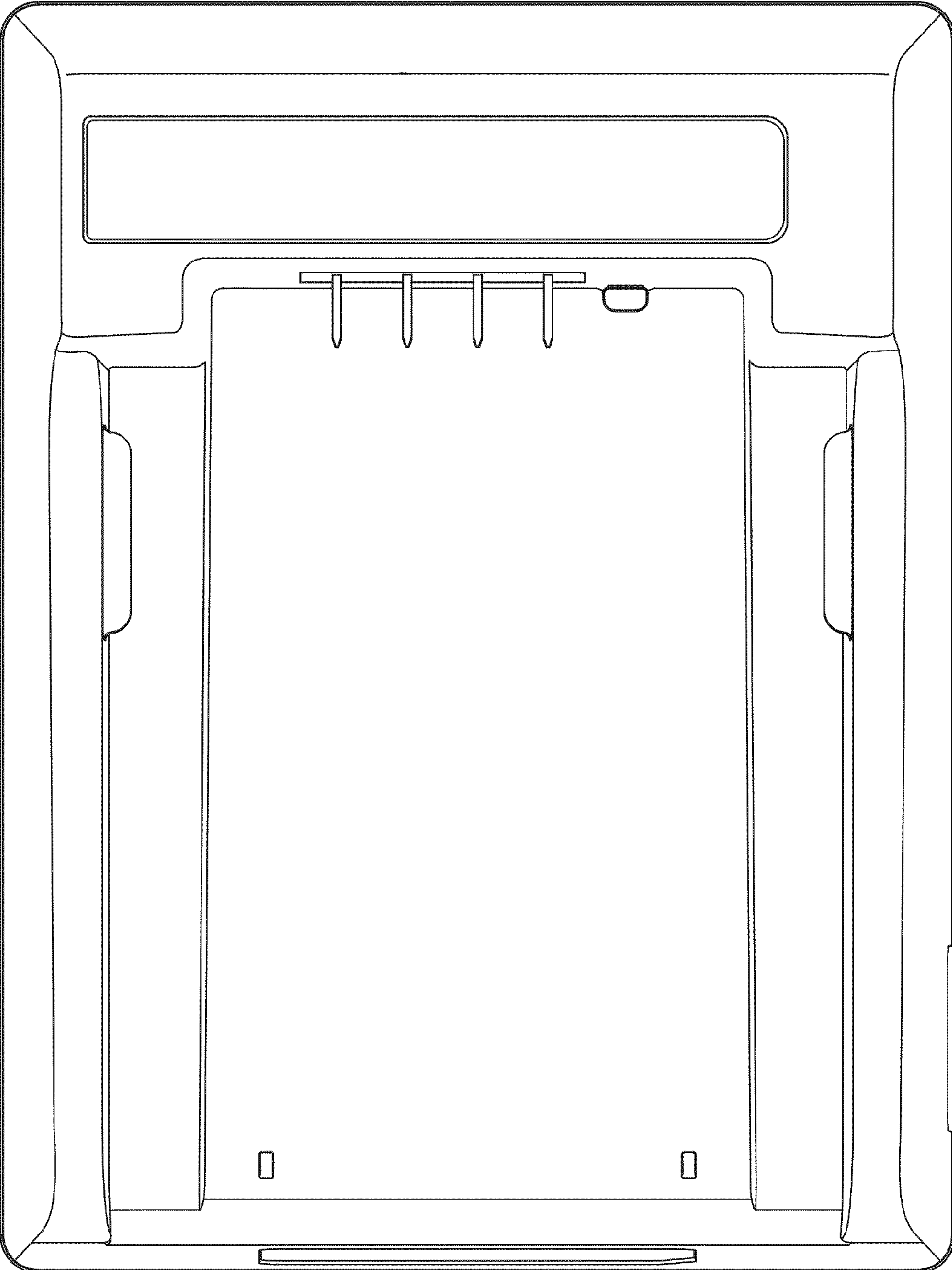


FIG. 6

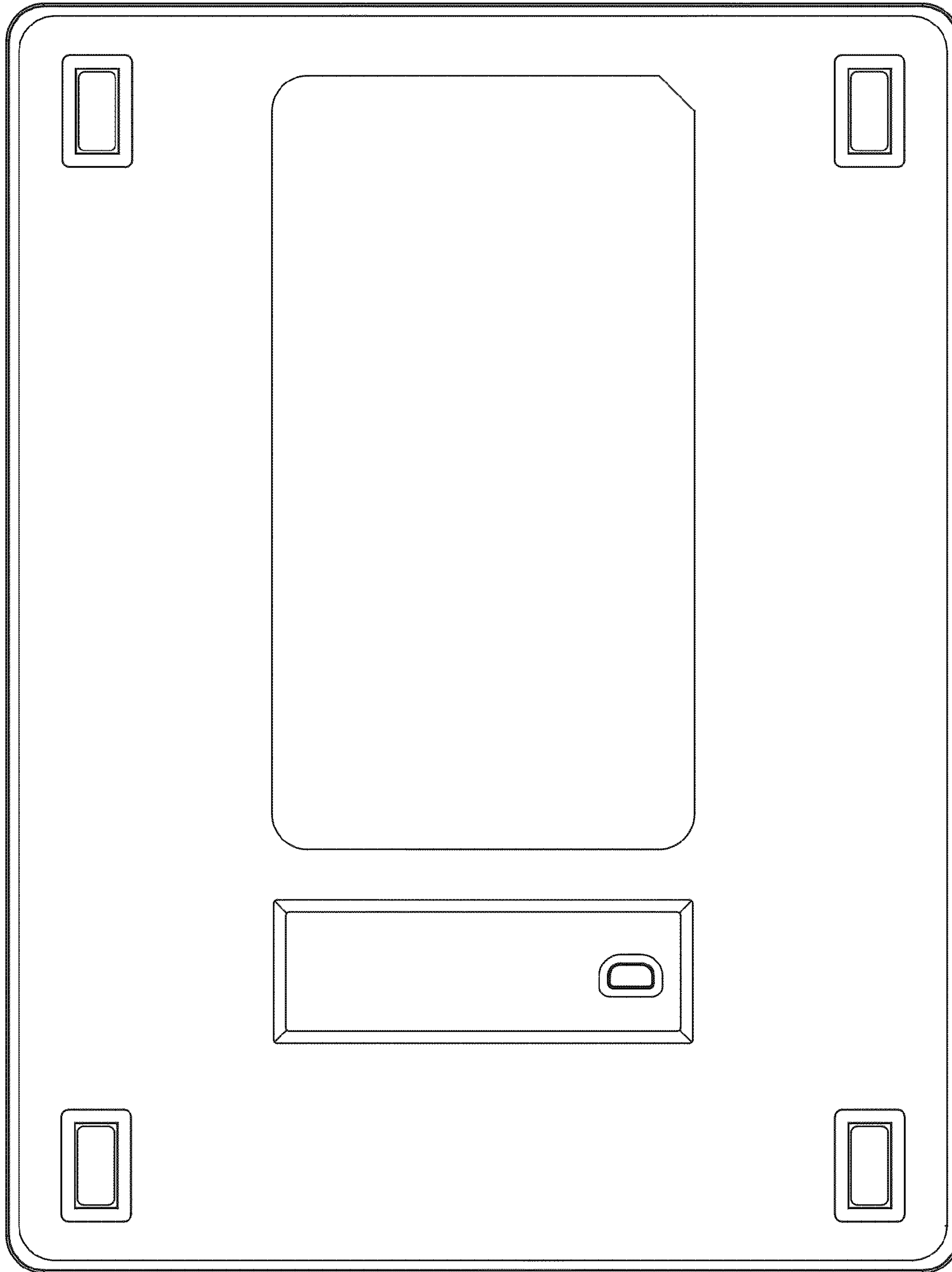


FIG. 7