



US00D654017S

(12) **United States Design Patent**
Lentine

(10) **Patent No.:** **US D654,017 S**

(45) **Date of Patent:** **** Feb. 14, 2012**

(54) **BATTERY CHARGER**

(76) **Inventor:** **Lou Lentine**, Orlando, FL (US)

(**) **Term:** **14 Years**

(21) **Appl. No.:** **29/386,641**

(22) **Filed:** **Mar. 3, 2011**

(51) **LOC (9) Cl.** **13-02**

(52) **U.S. Cl.** **D13/107**

(58) **Field of Classification Search** D13/107-110,
D13/118-119, 184, 199; D14/251, 253,
D14/432, 434; 320/107-115

See application file for complete search history.

(56) **References Cited**

U.S. PATENT DOCUMENTS

3,209,230	A	*	9/1965	Mas	320/110
5,057,761	A	*	10/1991	Felegyhazi, Sr.	320/110
D375,934	S	*	11/1996	Rosen et al.	D13/107
D478,557	S	*	8/2003	Pfeiffer	D13/107

D544,437	S	*	6/2007	Hussaini et al.	D13/107
D564,960	S	*	3/2008	Sacco et al.	D13/107
D626,916	S	*	11/2010	Hine	D13/107

* cited by examiner

Primary Examiner — Rosemary K Tarcza

(74) *Attorney, Agent, or Firm* — Larry D. Johnson

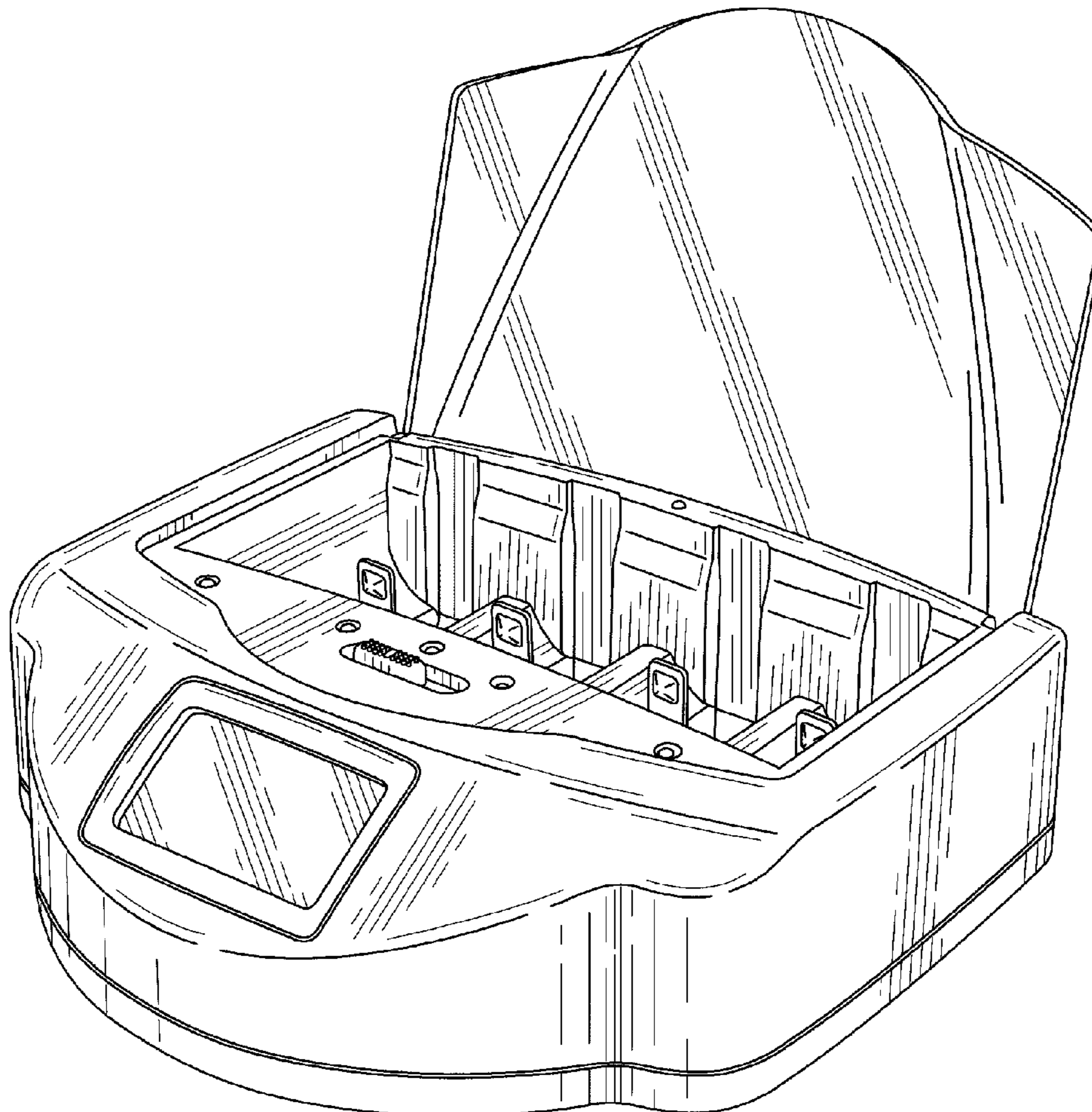
(57) **CLAIM**

The ornamental design for a battery charger, as shown and described.

DESCRIPTION

FIG. 1 is a perspective view with lid open;
FIG. 2 is a perspective view with lid closed;
FIG. 3 is a front elevation view;
FIG. 4 is a rear elevation view;
FIG. 5 is a left side elevation view;
FIG. 6 is a right side elevation view;
FIG. 7 is a top view; and,
FIG. 8 is a bottom view.

1 Claim, 6 Drawing Sheets



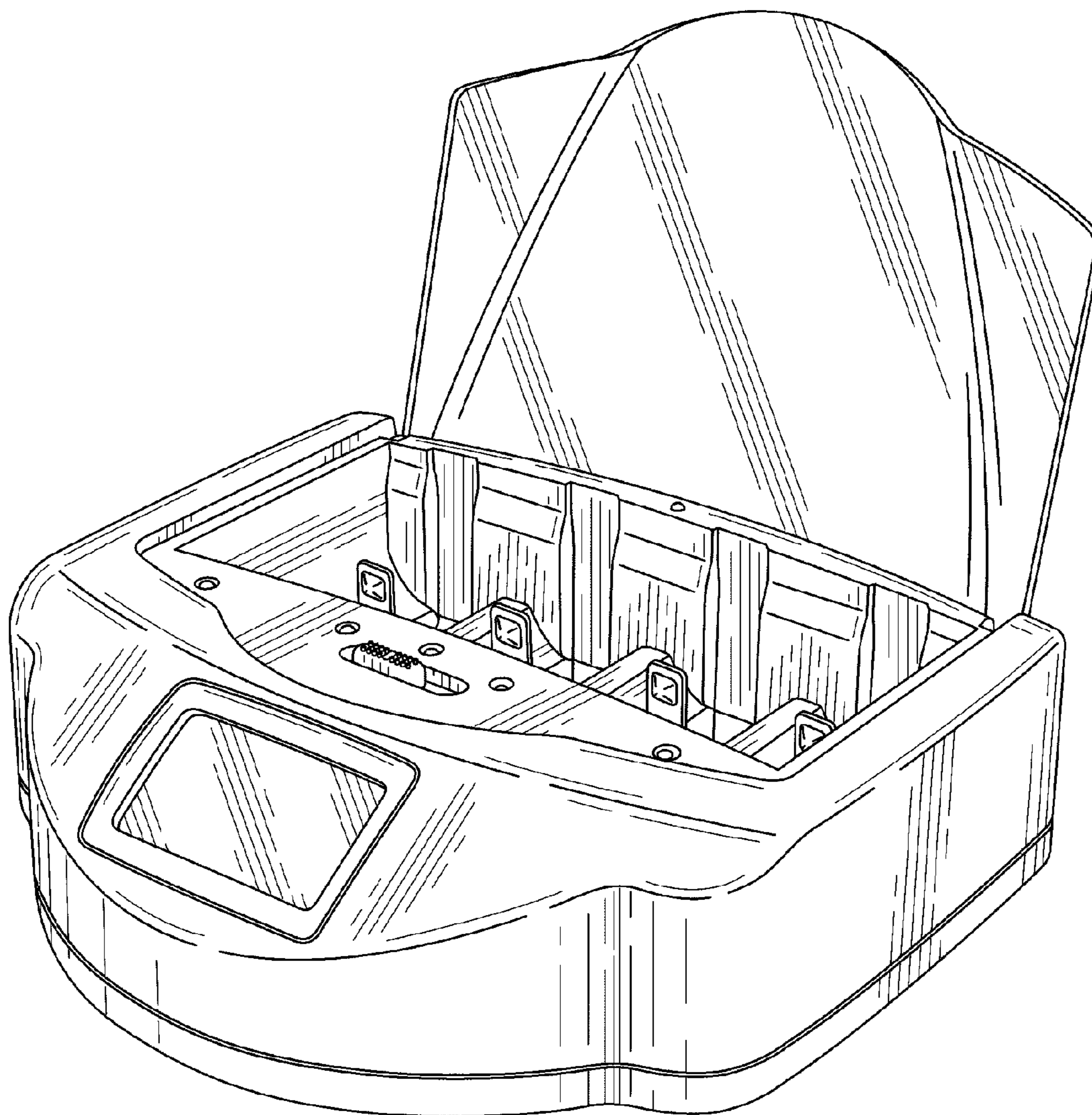


FIG. 1

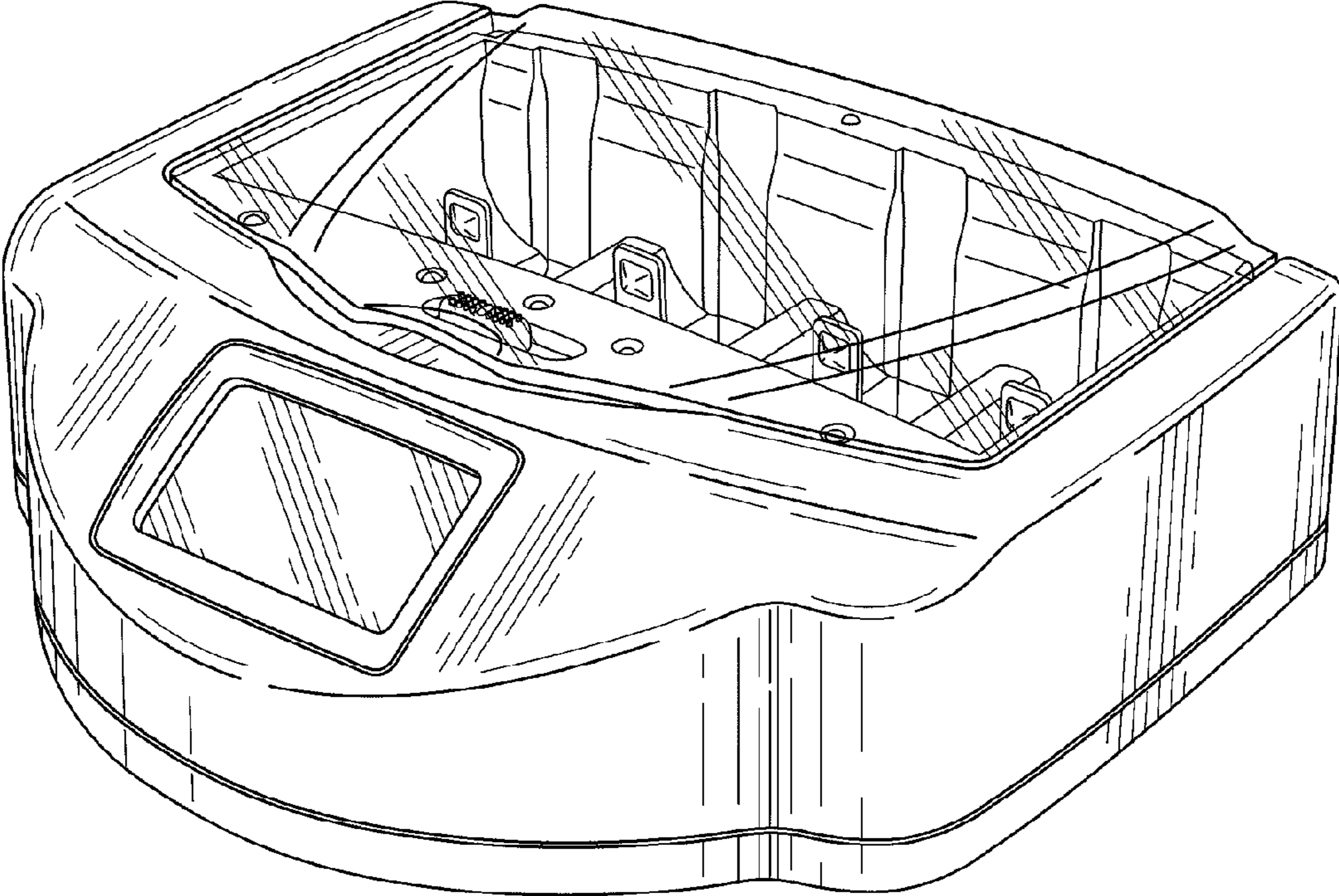


FIG. 2

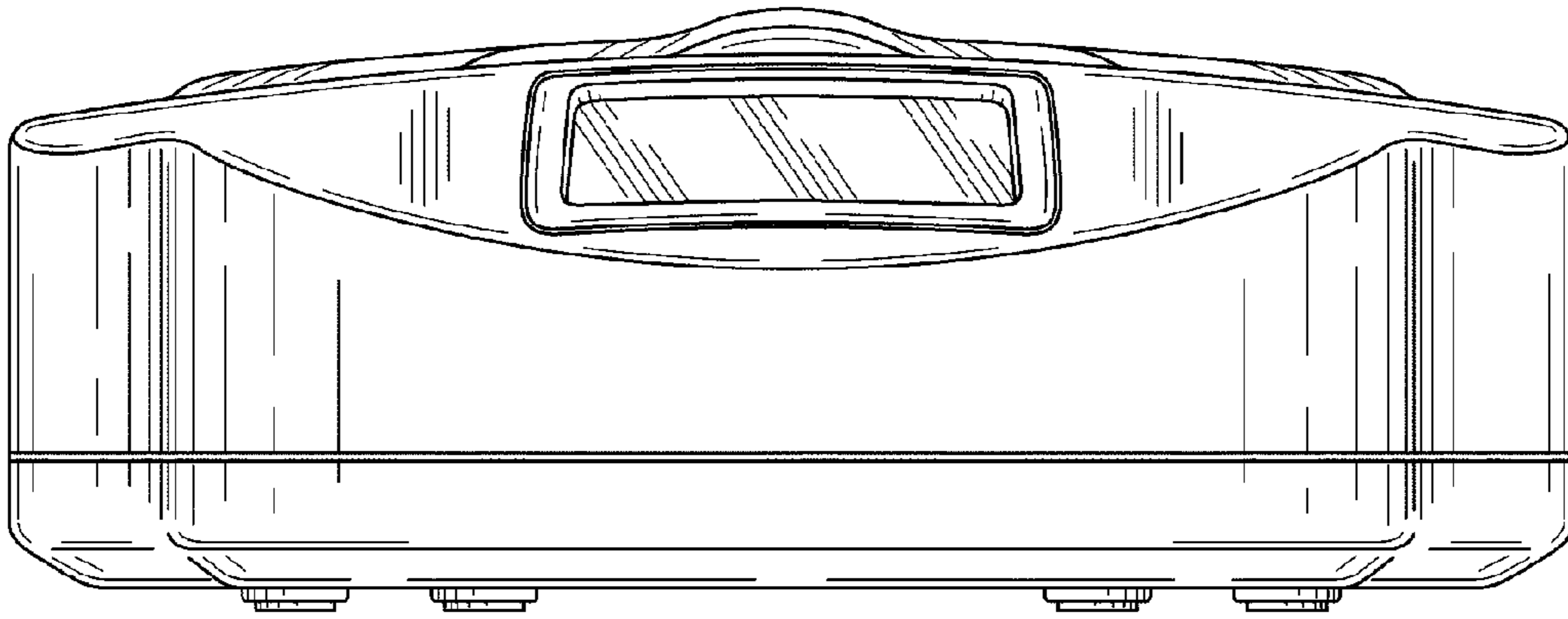


FIG. 3

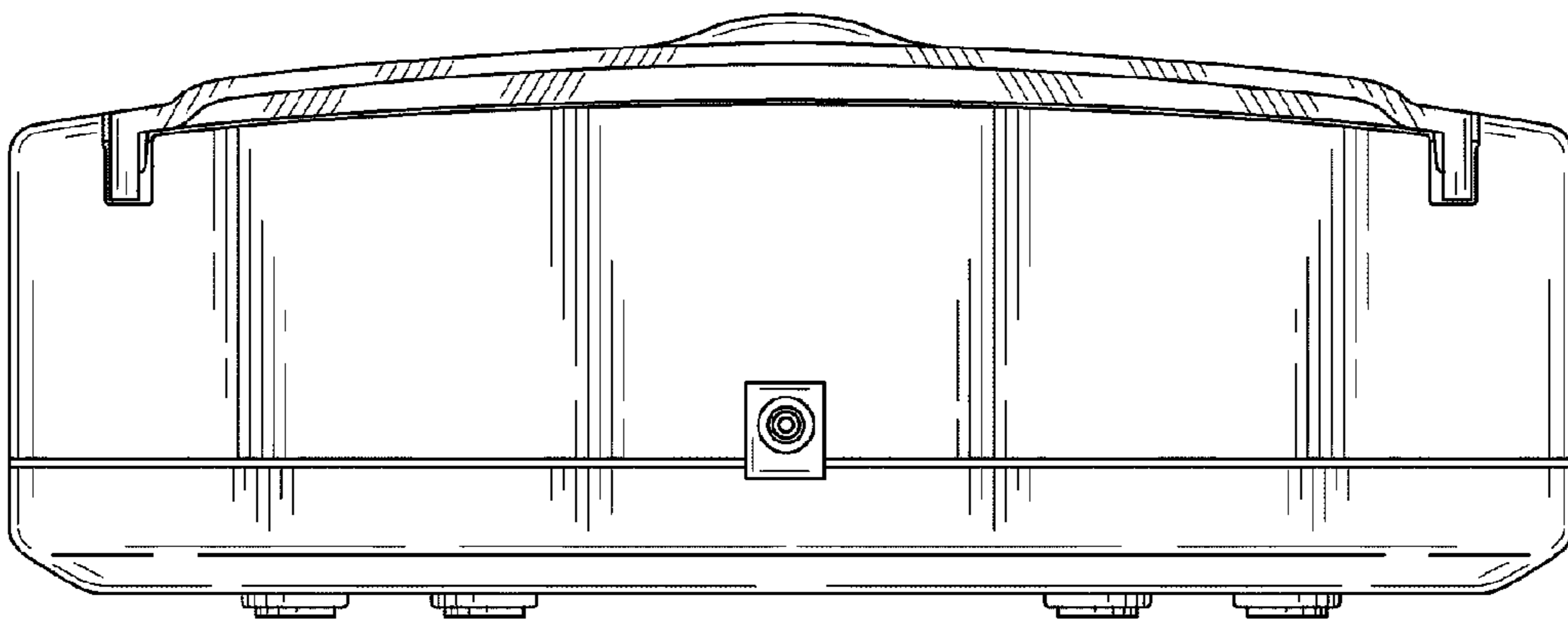


FIG. 4

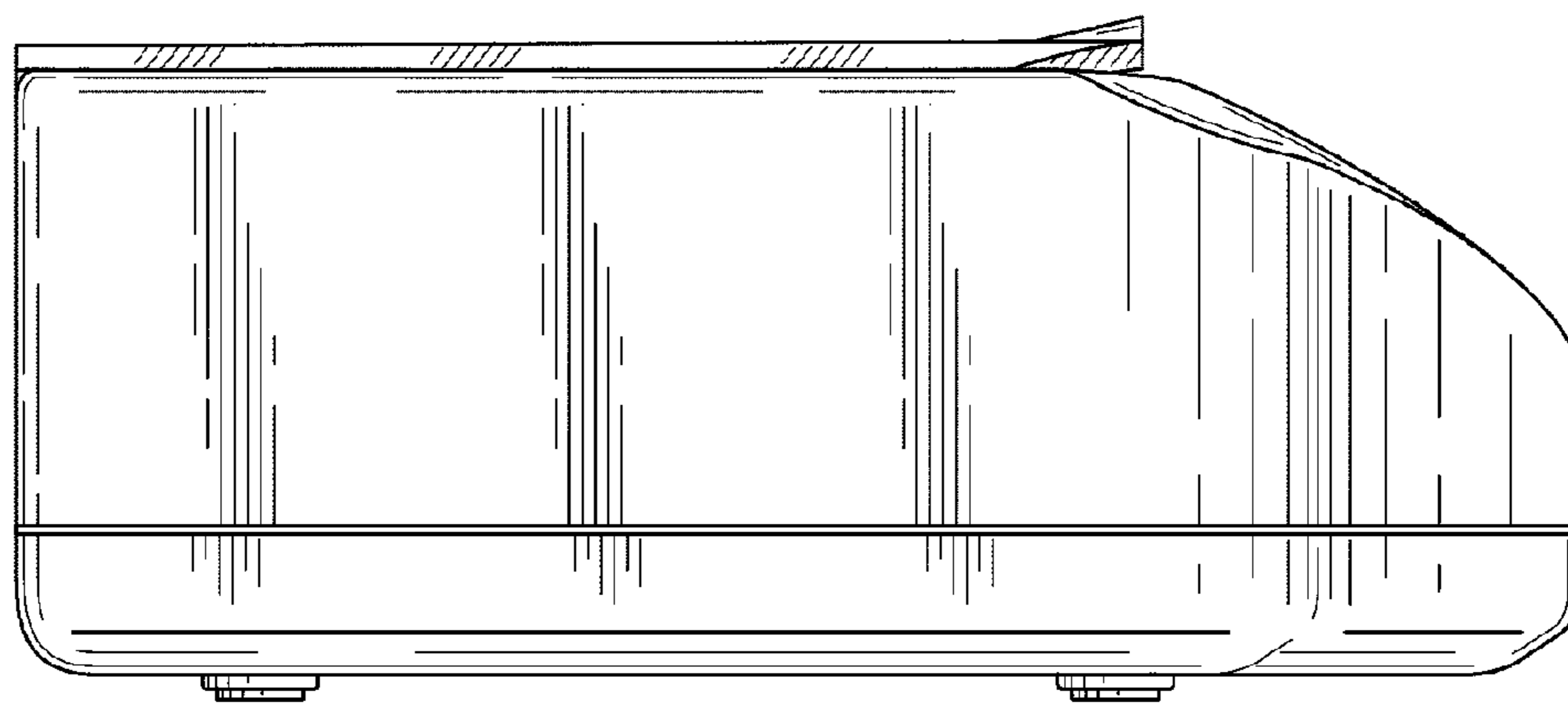


FIG. 5

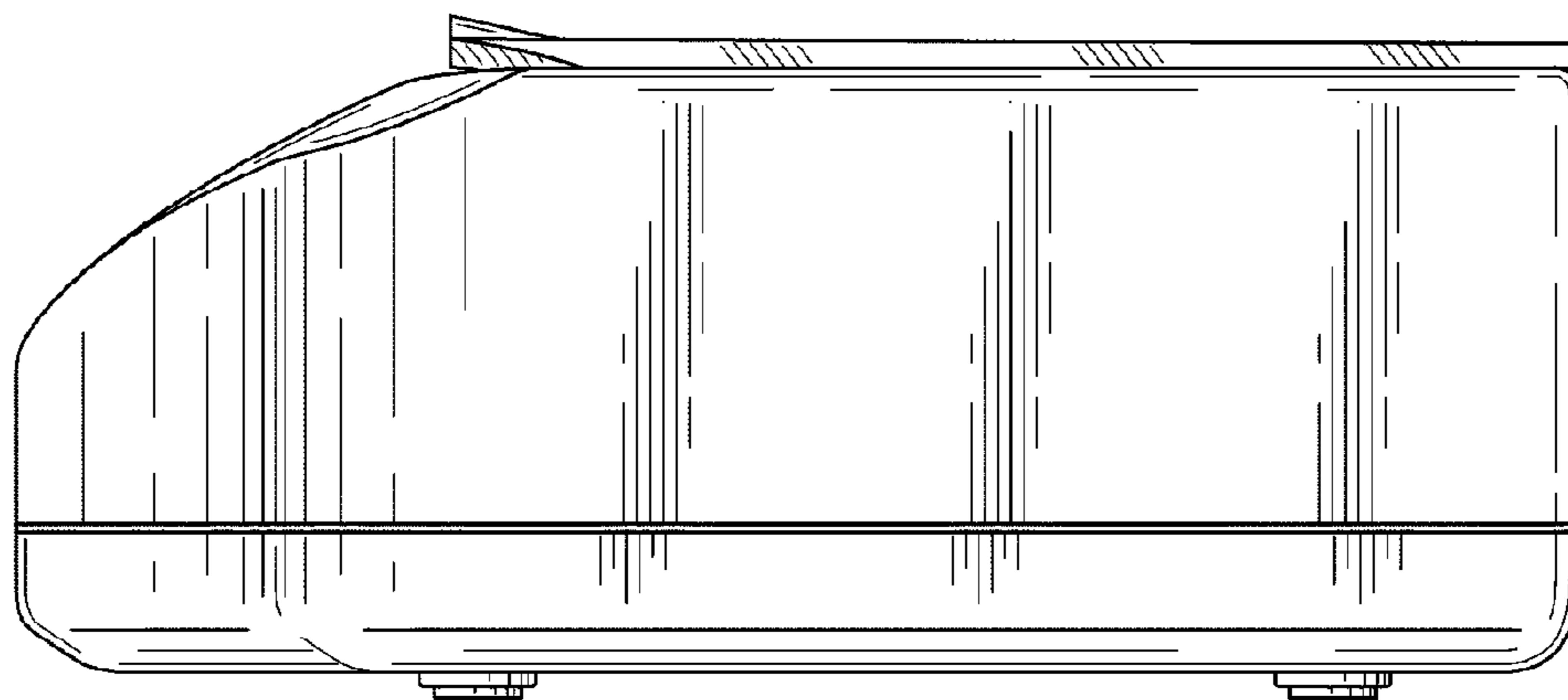


FIG. 6

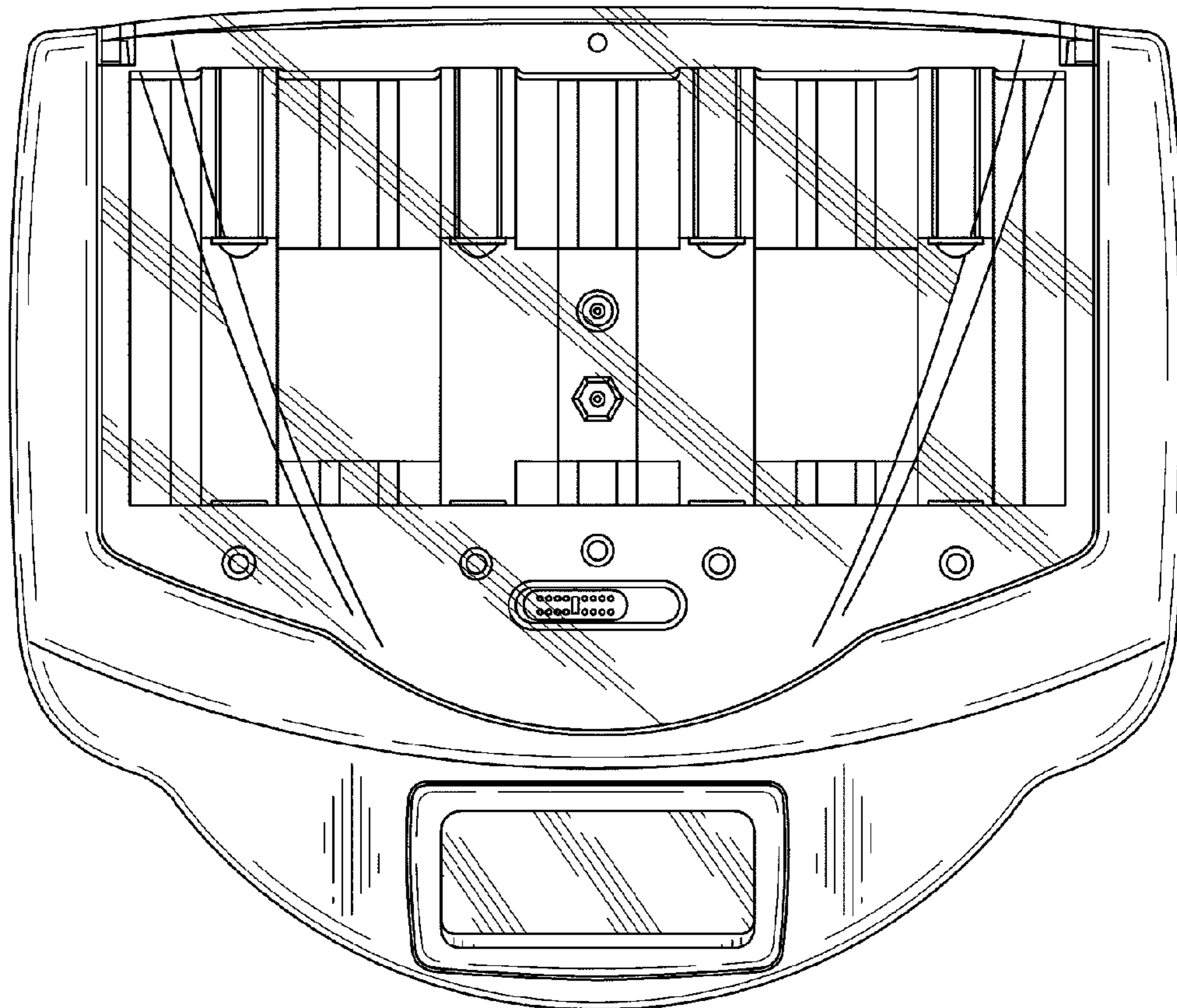


FIG. 7

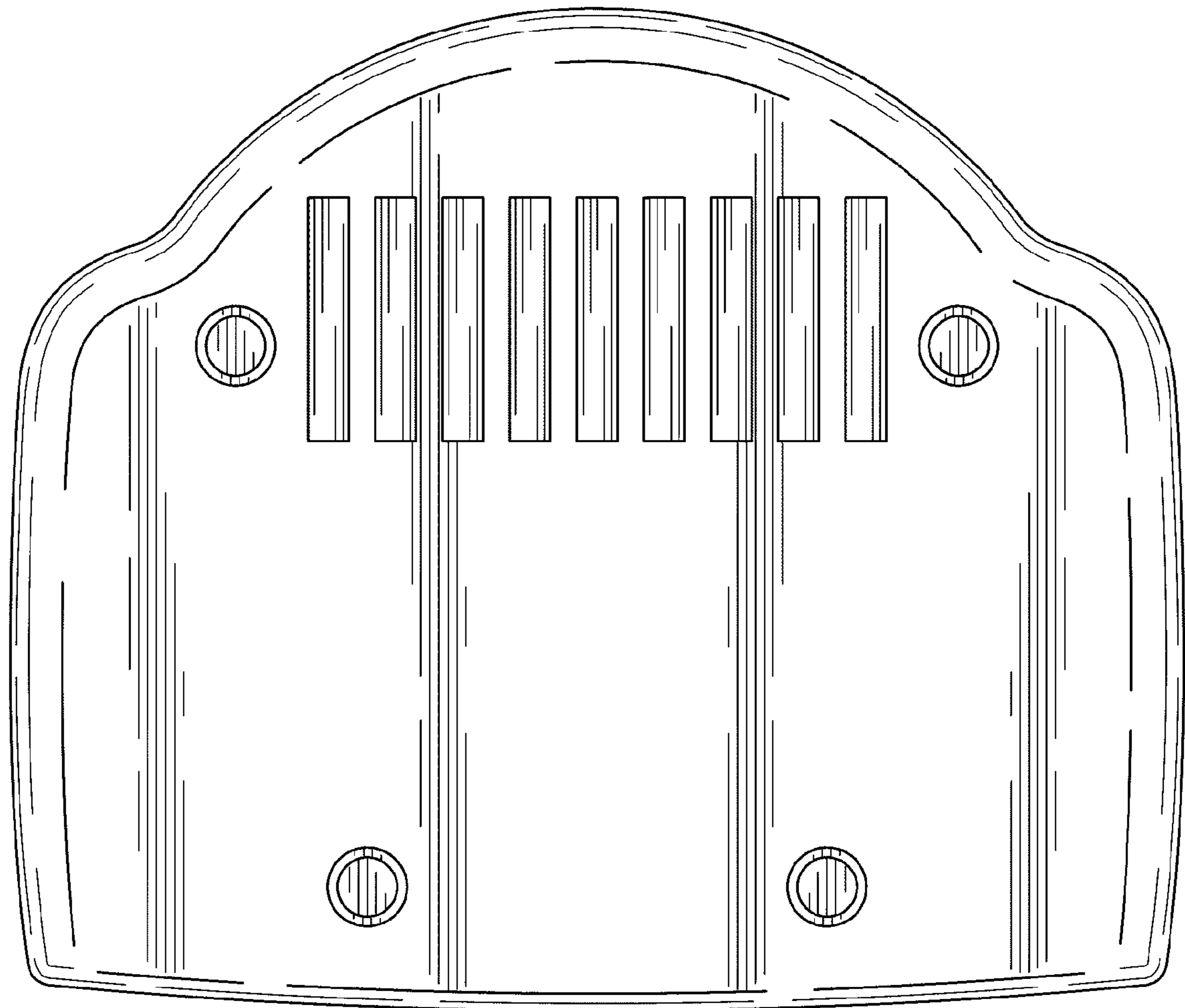


FIG. 8