



US00D654009S

(12) **United States Design Patent**
Arakelian

(10) **Patent No.:** **US D654,009 S**

(45) **Date of Patent:** **** Feb. 14, 2012**

(54) **TOW BAR SHIN PROTECTOR**

(76) Inventor: **Richard Arakelian**, Arndell Park (AU)

(**) Term: **14 Years**

(21) Appl. No.: **29/383,676**

(22) Filed: **Jan. 20, 2011**

(30) **Foreign Application Priority Data**

Jul. 20, 2010 (AU) 13051/2010

(51) **LOC (9) Cl.** **12-16**

(52) **U.S. Cl.** **D12/400**

(58) **Field of Classification Search** D12/400,
D12/82-83, 197, 190, 406, 411; D25/52;
40/218

See application file for complete search history.

(56) **References Cited**

U.S. PATENT DOCUMENTS

4,181,320	A *	1/1980	Wellborn, Jr.	280/507
5,037,122	A *	8/1991	Beckerer, Jr.	280/507
5,533,743	A *	7/1996	Bello	280/507
5,625,896	A *	5/1997	LaBarbera et al.	2/22
6,039,339	A *	3/2000	Bello	280/507
6,322,094	B1 *	11/2001	Poe	280/507

6,832,775	B1 *	12/2004	Muller	280/507
6,913,278	B1 *	7/2005	Laska	280/507
6,938,912	B1 *	9/2005	Norton et al.	280/507
7,677,589	B2 *	3/2010	Prine	280/507

* cited by examiner

Primary Examiner — Caron D Veynar

Assistant Examiner — Katrina A Betton

(74) *Attorney, Agent, or Firm* — Christopher Wood; Premier Law Group, PLLC

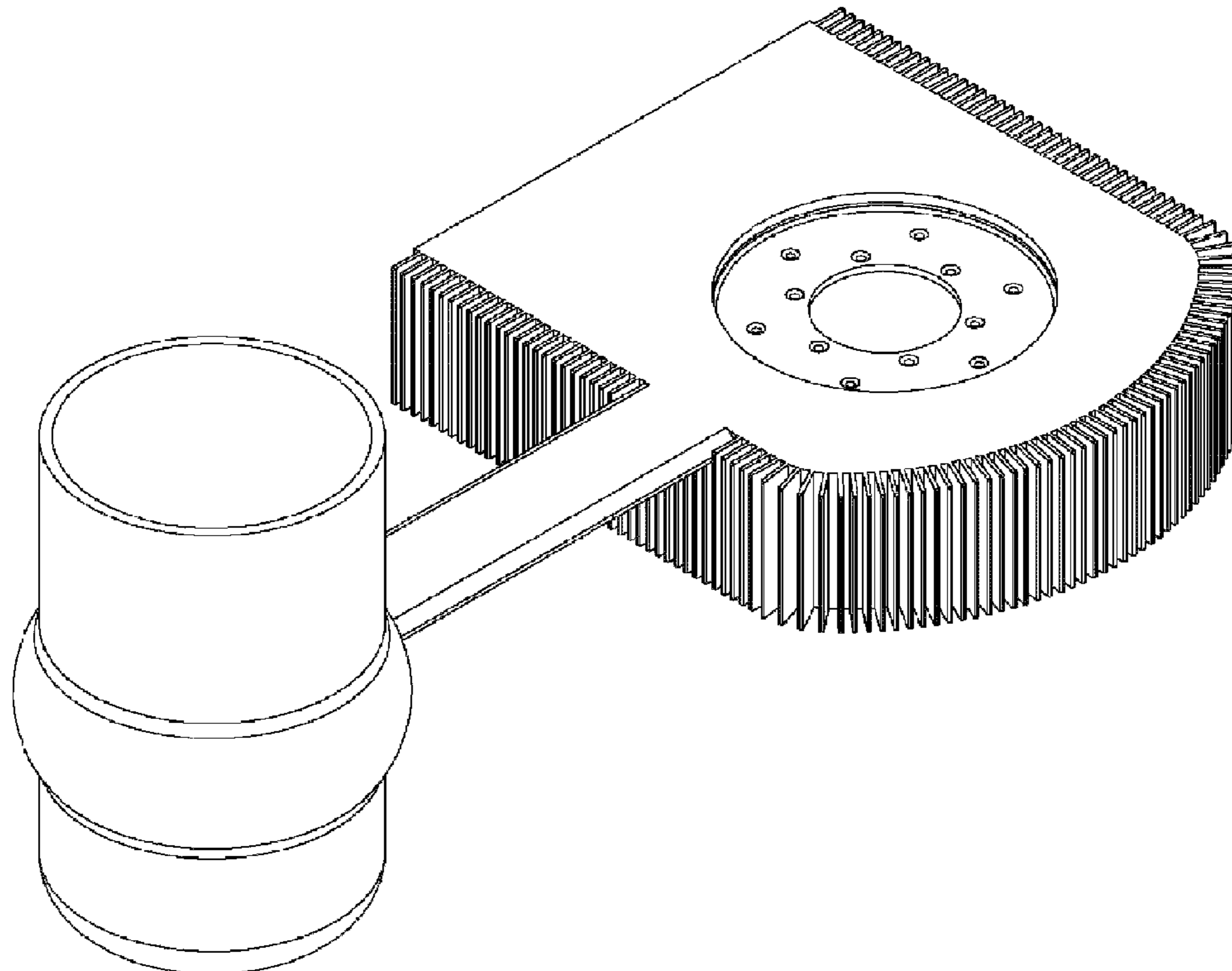
(57) **CLAIM**

The ornamental design for a tow bar shin protector, as shown and described.

DESCRIPTION

FIG. 1 is a front view of the tow bar shin protector showing my new design;
 FIG. 2 is a rear view thereof;
 FIG. 3 is a right side view thereof;
 FIG. 4 is a left side view thereof;
 FIG. 5 is a top view thereof;
 FIG. 6 is a bottom view thereof;
 FIG. 7 is a perspective view from above thereof;
 FIG. 8 is a perspective view from below thereof; and,
 FIG. 9 is a perspective view from above thereof.

1 Claim, 9 Drawing Sheets



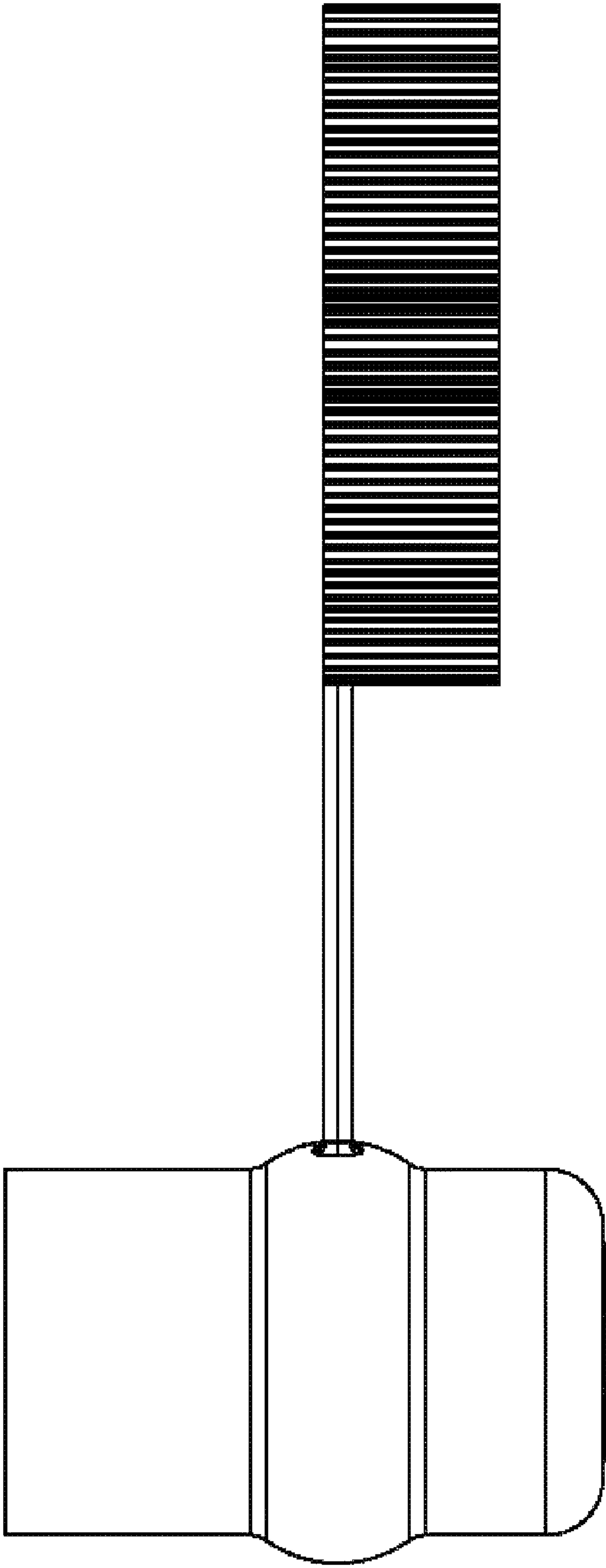


FIG. 1

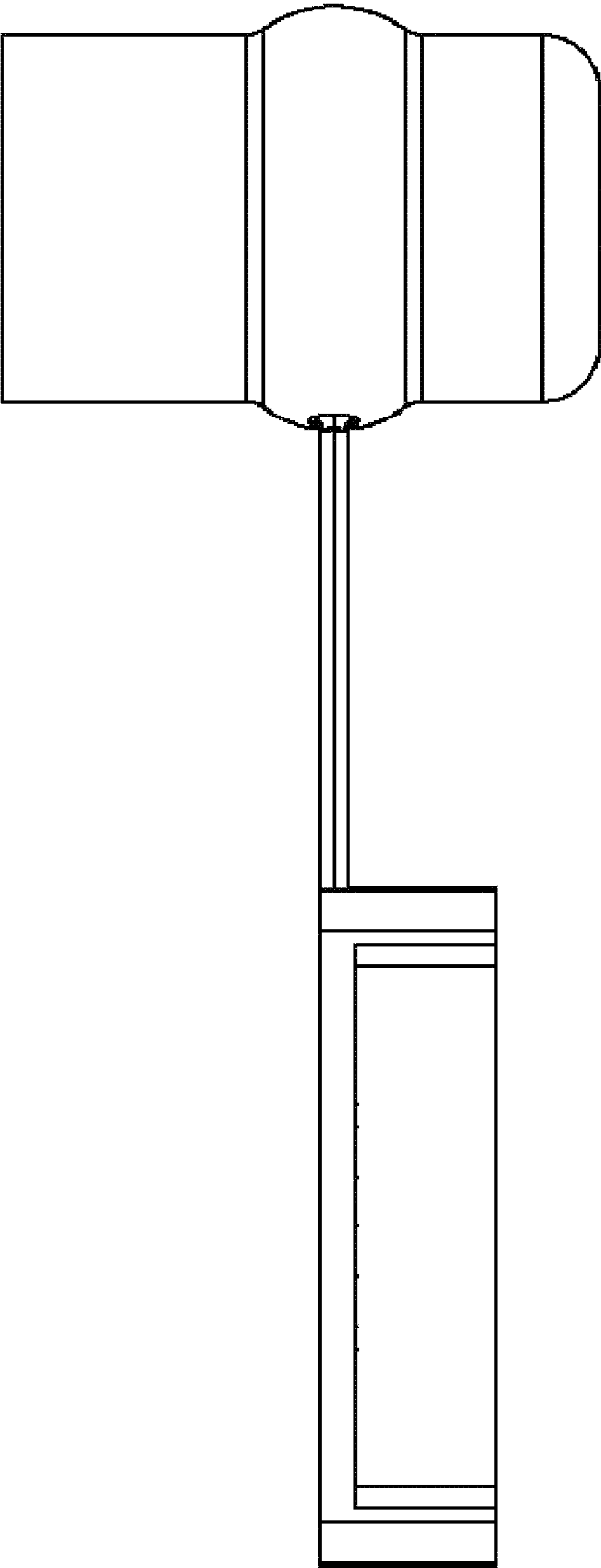


FIG. 2

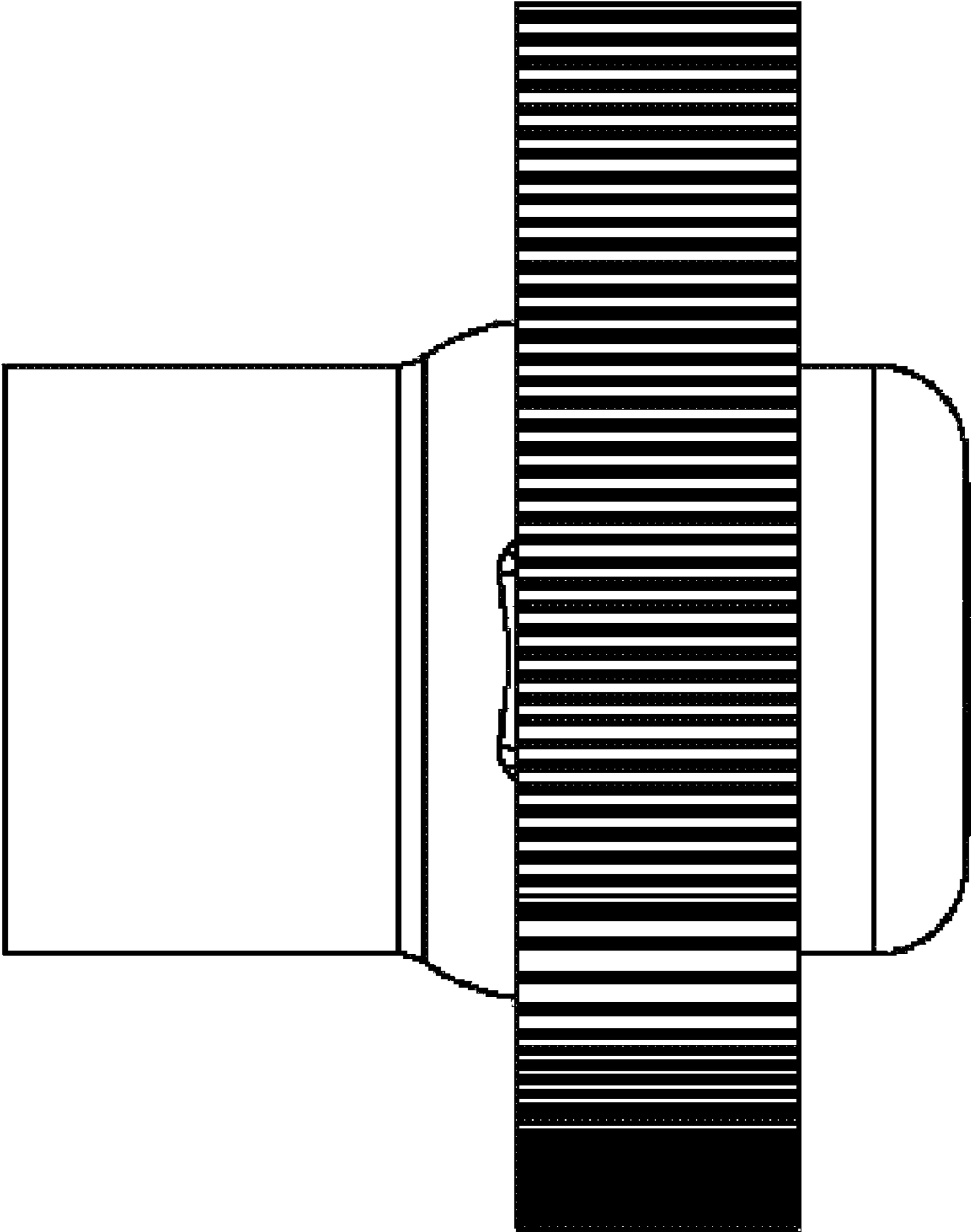


FIG. 3

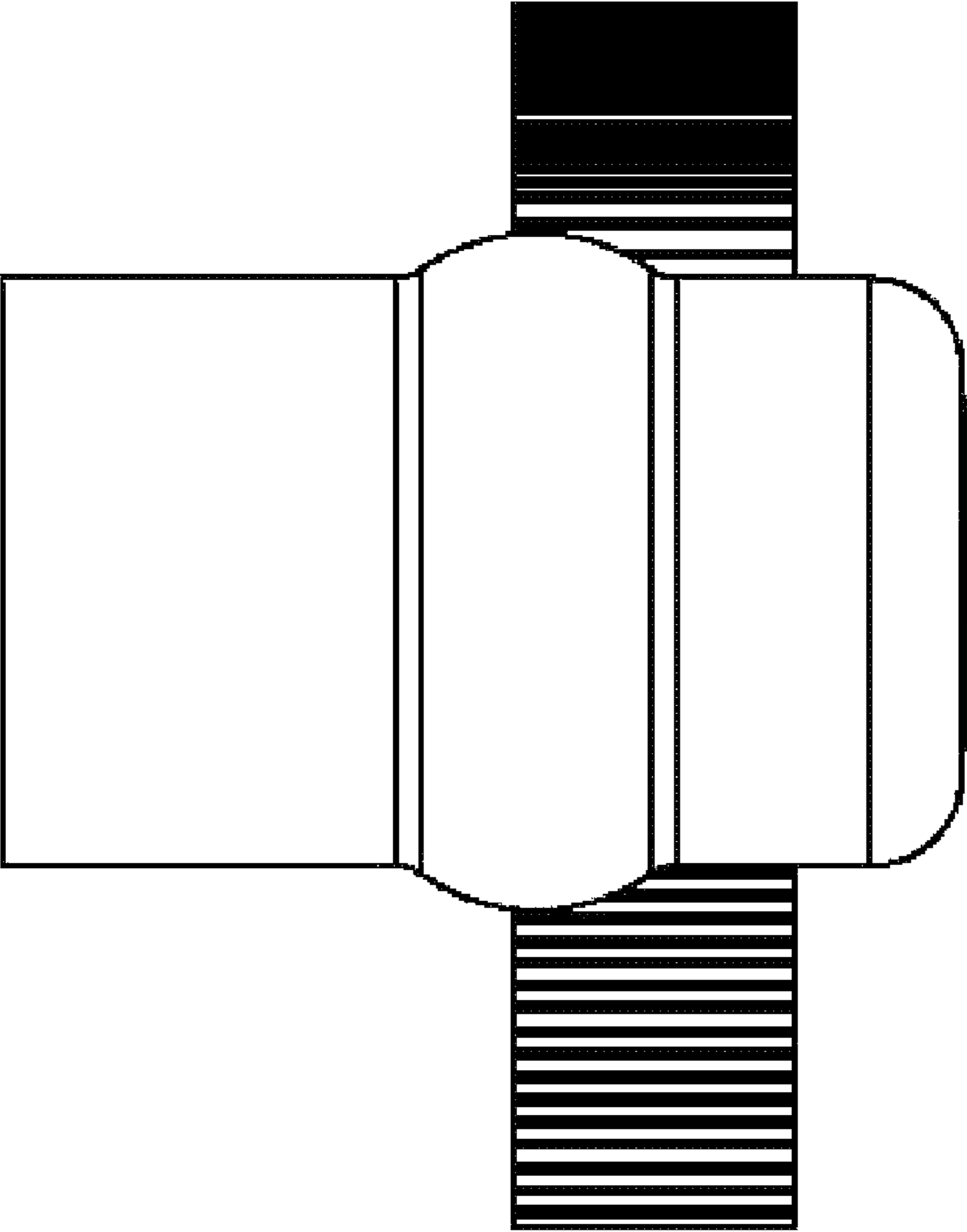


FIG. 4

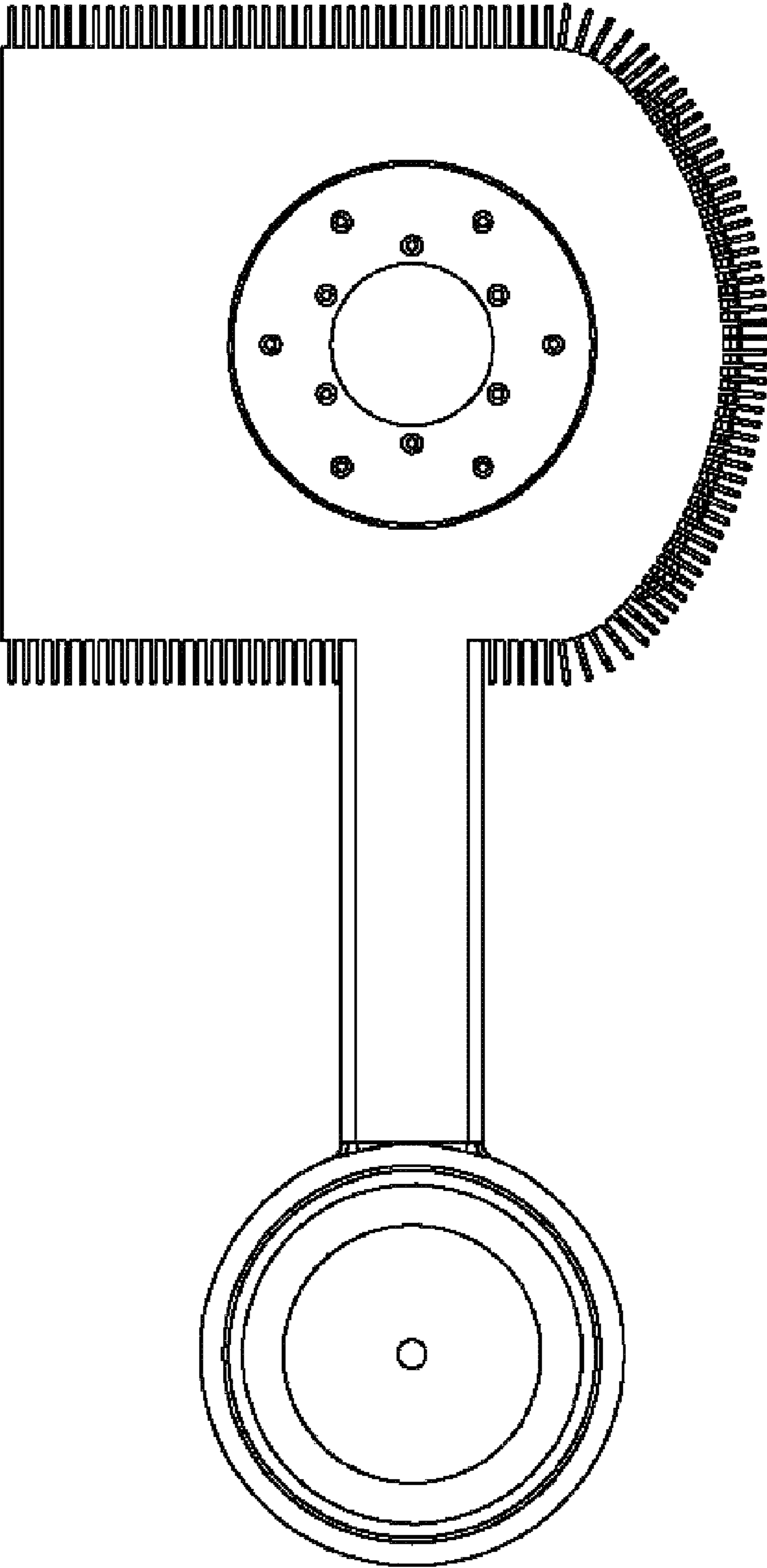


FIG. 5

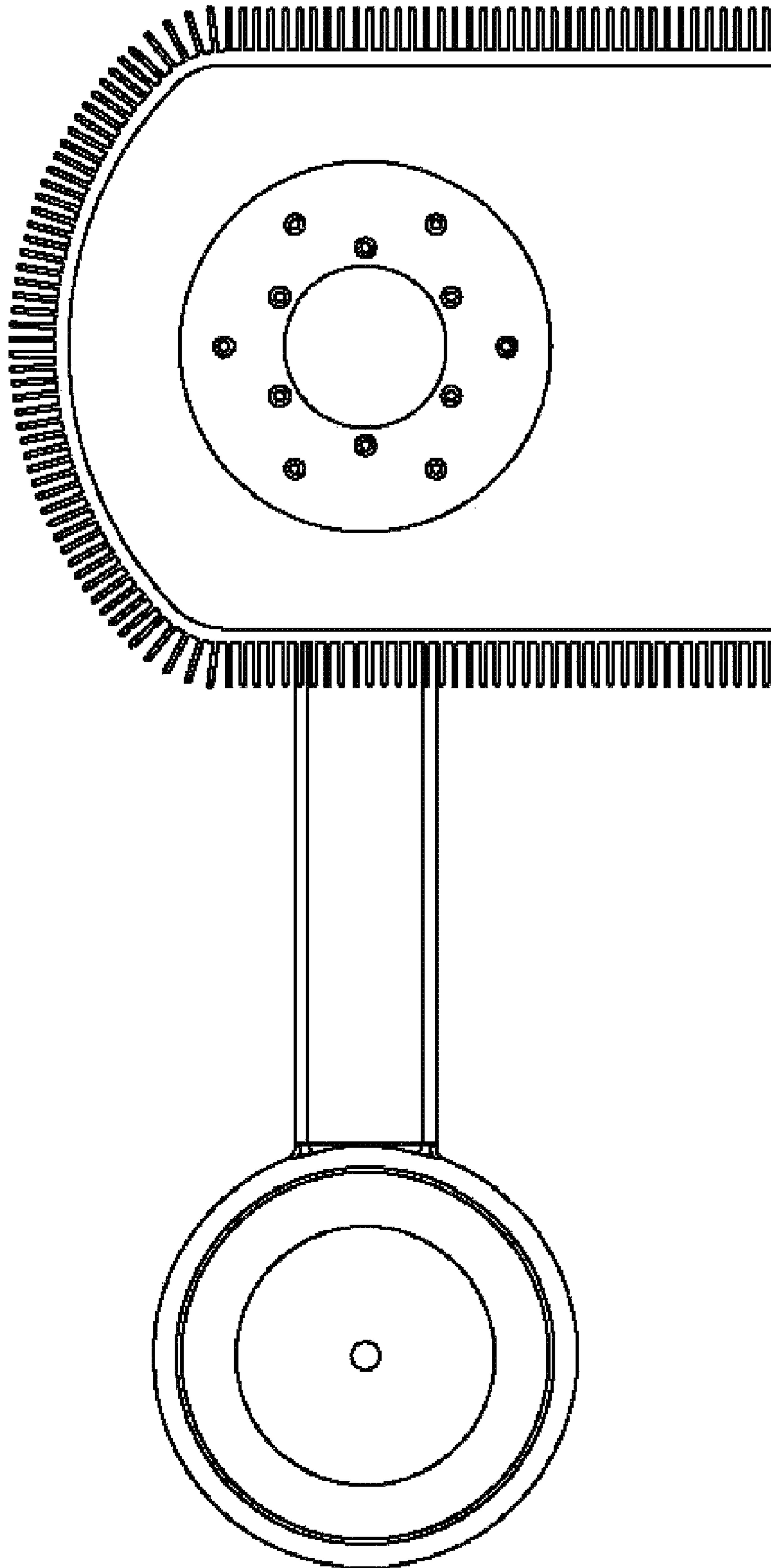


FIG. 6

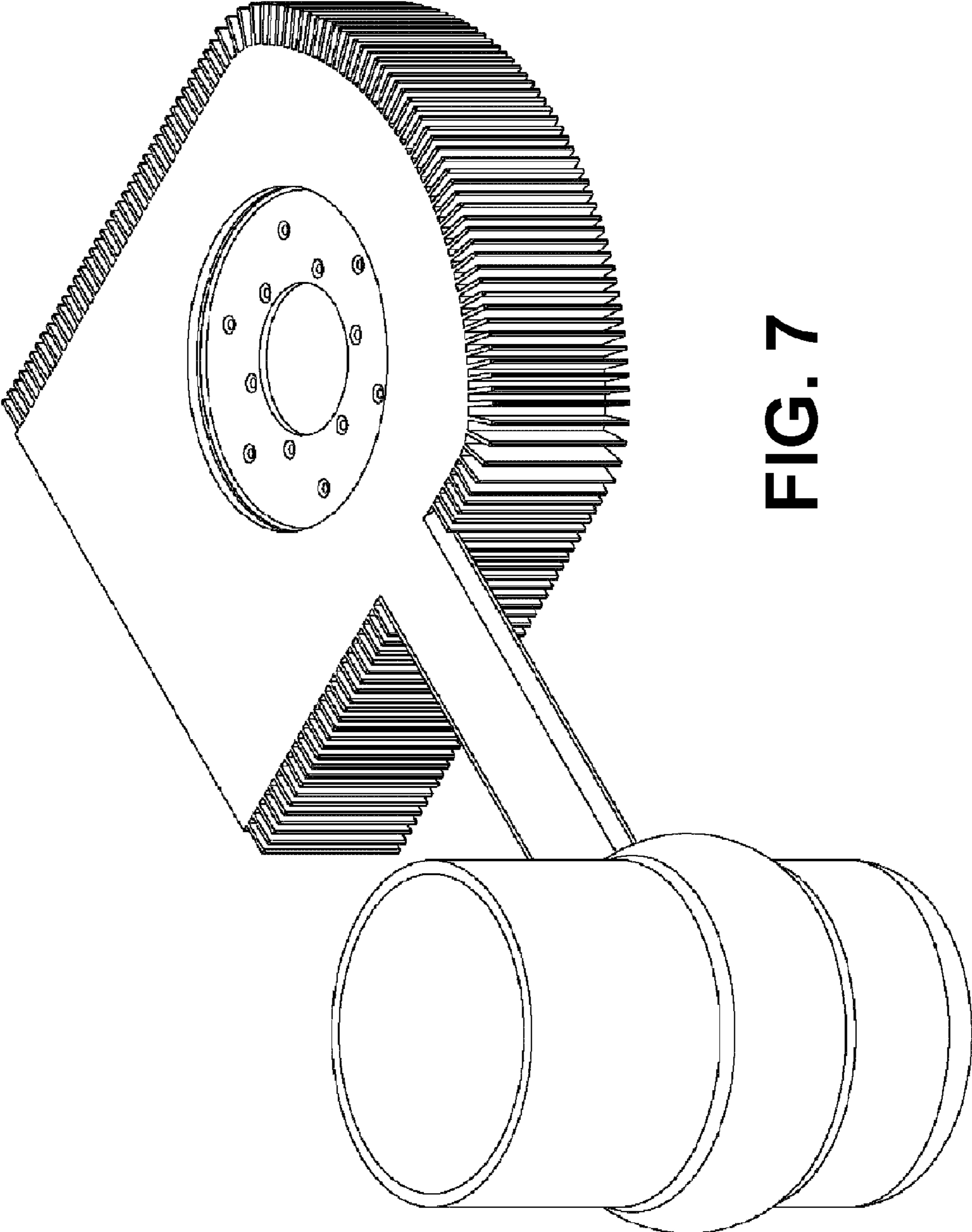


FIG. 7

FIG. 8

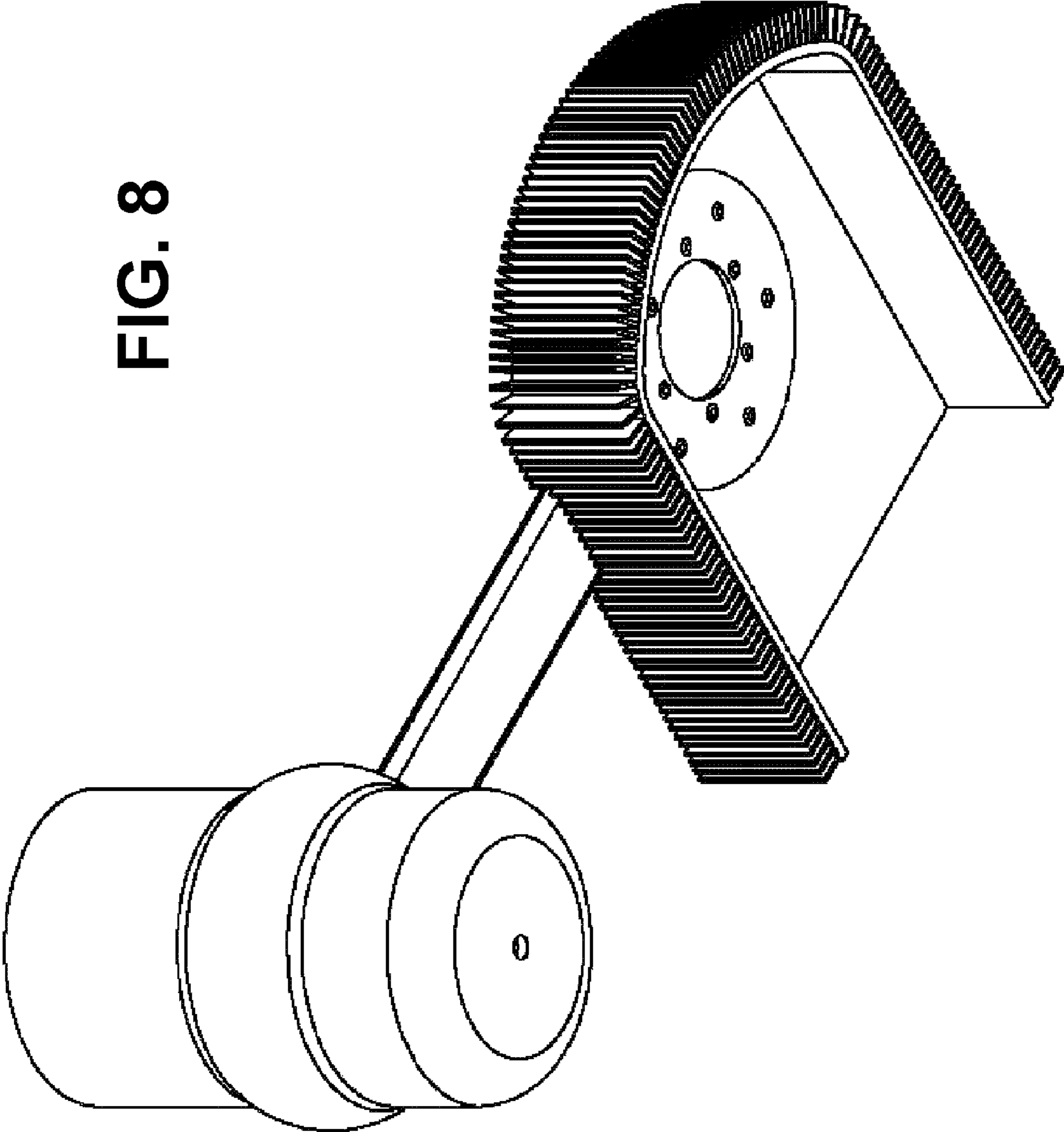


FIG. 9

