



US00D654007S

(12) **United States Design Patent**  
**Nissl**

(10) **Patent No.:** **US D654,007 S**

(45) **Date of Patent:** **\*\* Feb. 14, 2012**

(54) **WHEEL OR WHEEL COVER**

(75) **Inventor:** **Florian Dieter Nissl, Munich (DE)**

(73) **Assignee:** **Bayerische Motoren Werke  
Aktiengesellschaft, Munich (DE)**

(\*\*) **Term:** **14 Years**

(21) **Appl. No.:** **29/390,766**

(22) **Filed:** **Apr. 29, 2011**

(30) **Foreign Application Priority Data**

Oct. 30, 2010 (DE) ..... 402010006028

(51) **LOC (9) Cl.** ..... **12-16**

(52) **U.S. Cl.** ..... **D12/211**

(58) **Field of Classification Search** ..... D12/204-213;  
301/37.101, 64.101, 65, 64.201

See application file for complete search history.

(56) **References Cited**

**U.S. PATENT DOCUMENTS**

D517,970 S	3/2006	Pollmann	
D528,495 S *	9/2006	Truebsbach	D12/211
D567,165 S	4/2008	Truebsbach	
D574,310 S	8/2008	Huet	
D577,650 S *	9/2008	Chung	D12/211
D586,284 S *	2/2009	Fridie	D12/211
D597,014 S *	7/2009	Nissl	D12/211
D604,685 S *	11/2009	Zhou et al.	D12/211
D621,318 S	8/2010	Elmitt	

D621,771 S *	8/2010	Truebsbach	D12/211
D631,813 S	2/2011	Nissl	
D633,847 S *	3/2011	Johnson	D12/211
D641,680 S *	7/2011	Laengerer	D12/211
D643,794 S *	8/2011	Elmitt	D12/211
D644,976 S *	9/2011	Nissl	D12/209

**FOREIGN PATENT DOCUMENTS**

EM	000330774-0005	6/2005
EM	000754593-0004	9/2007
EM	000743372-0001	3/2008
EM	001655861-0001	10/2010
EM	001693599-0001	6/2011

\* cited by examiner

*Primary Examiner* — Stacia Cadmus

(74) *Attorney, Agent, or Firm* — Crowell & Moring LLP

(57) **CLAIM**

The ornamental design for a wheel or wheel cover, as shown and described.

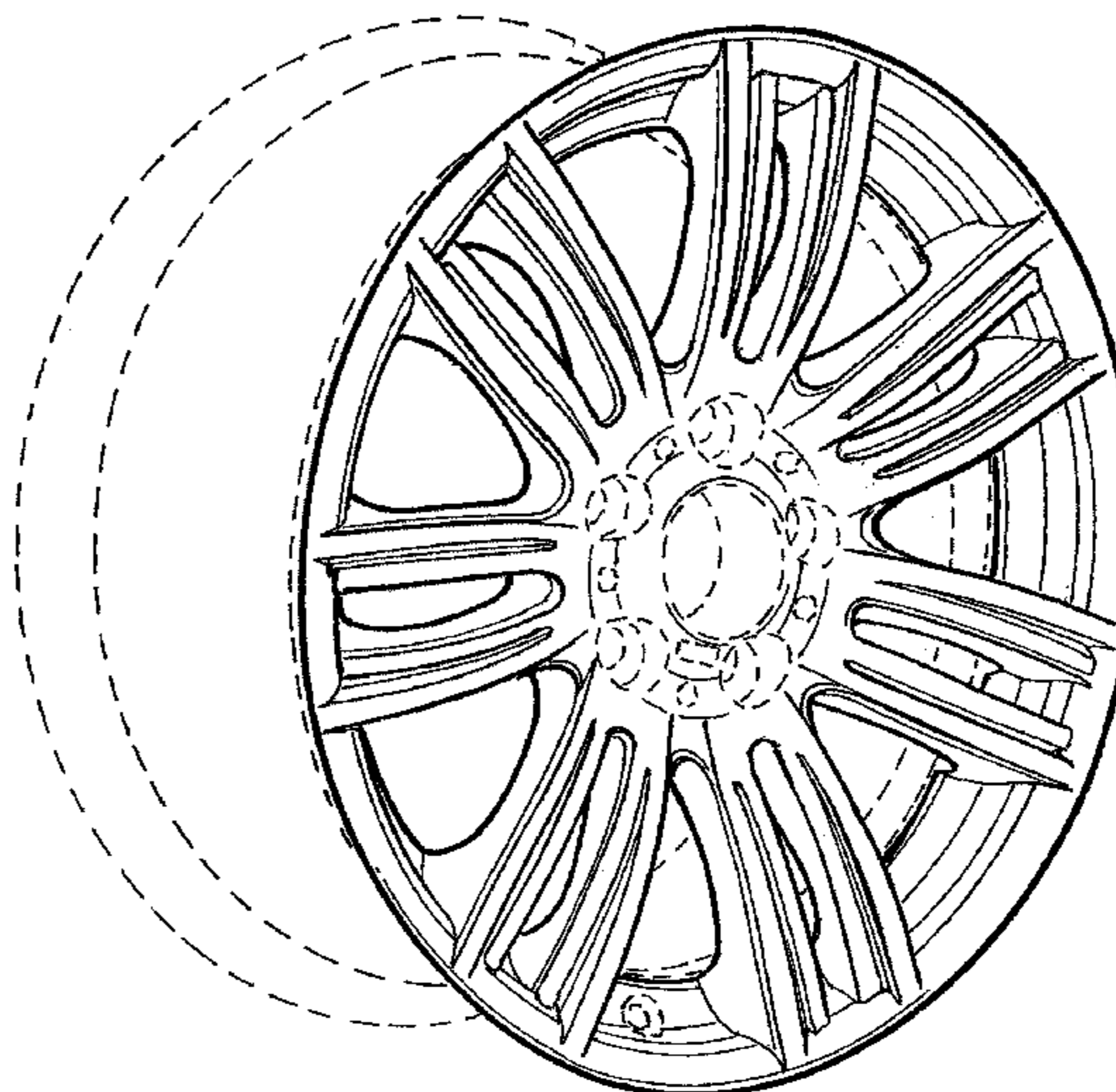
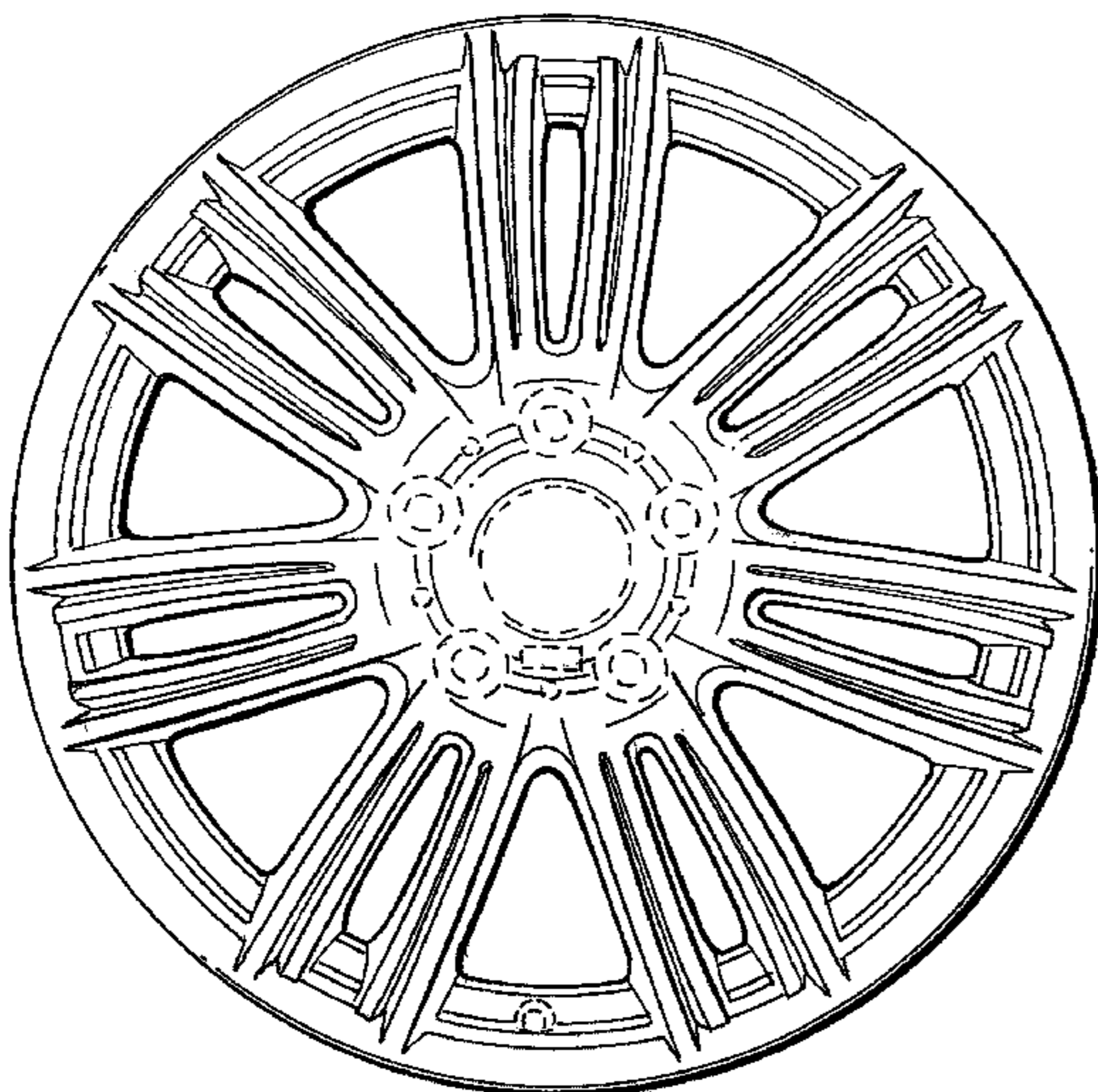
**DESCRIPTION**

FIG. 1 is a front view of a wheel or wheel cover according to my design; and,

FIG. 2 is a perspective view thereof.

The broken line showing of the rear of the wheel, the valve stem hole, and the bolt holes and the center cap in the central hub area is included for the purpose of illustrating environment and forms no part of the claimed design.

**1 Claim, 1 Drawing Sheet**



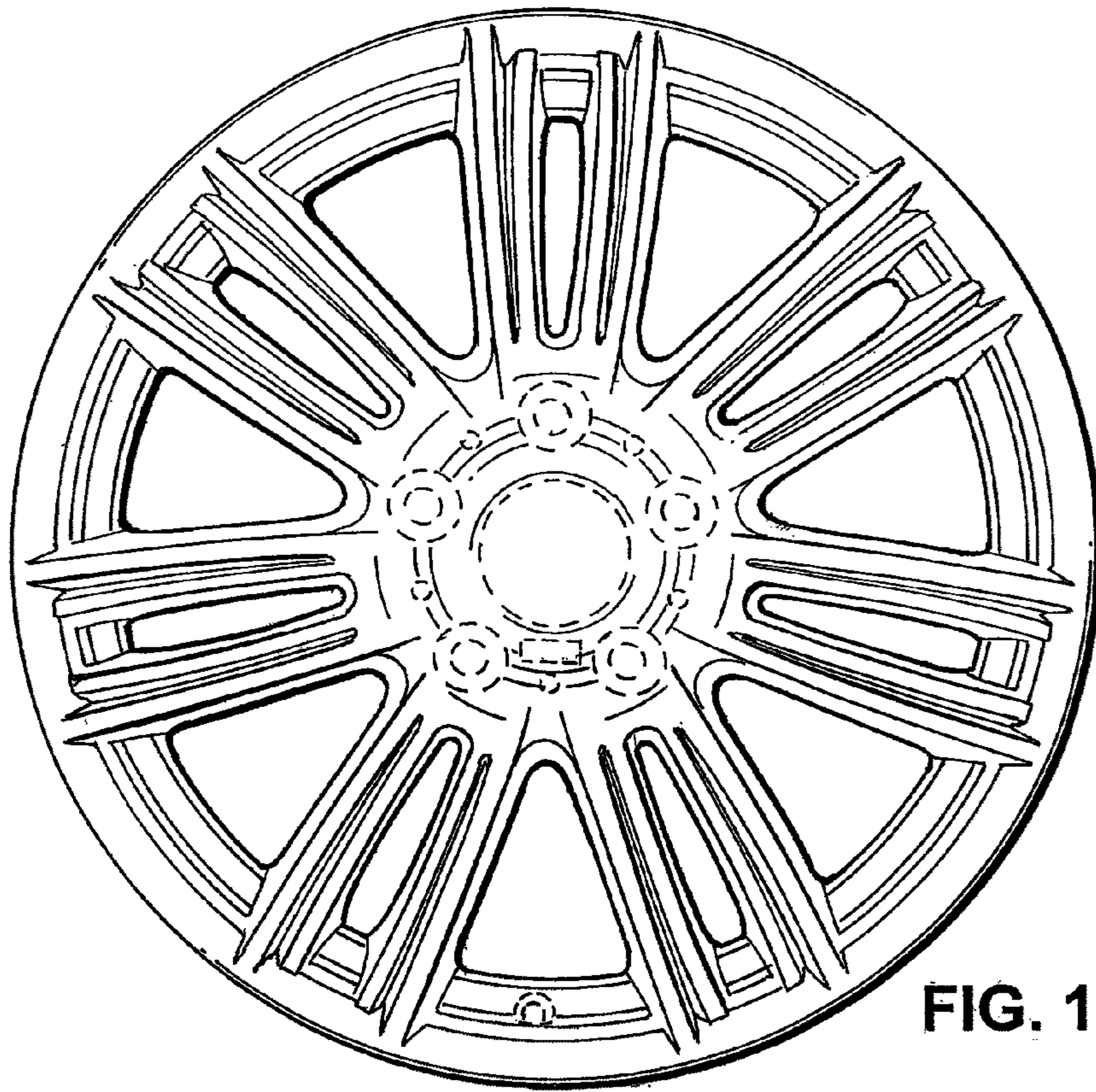


FIG. 1

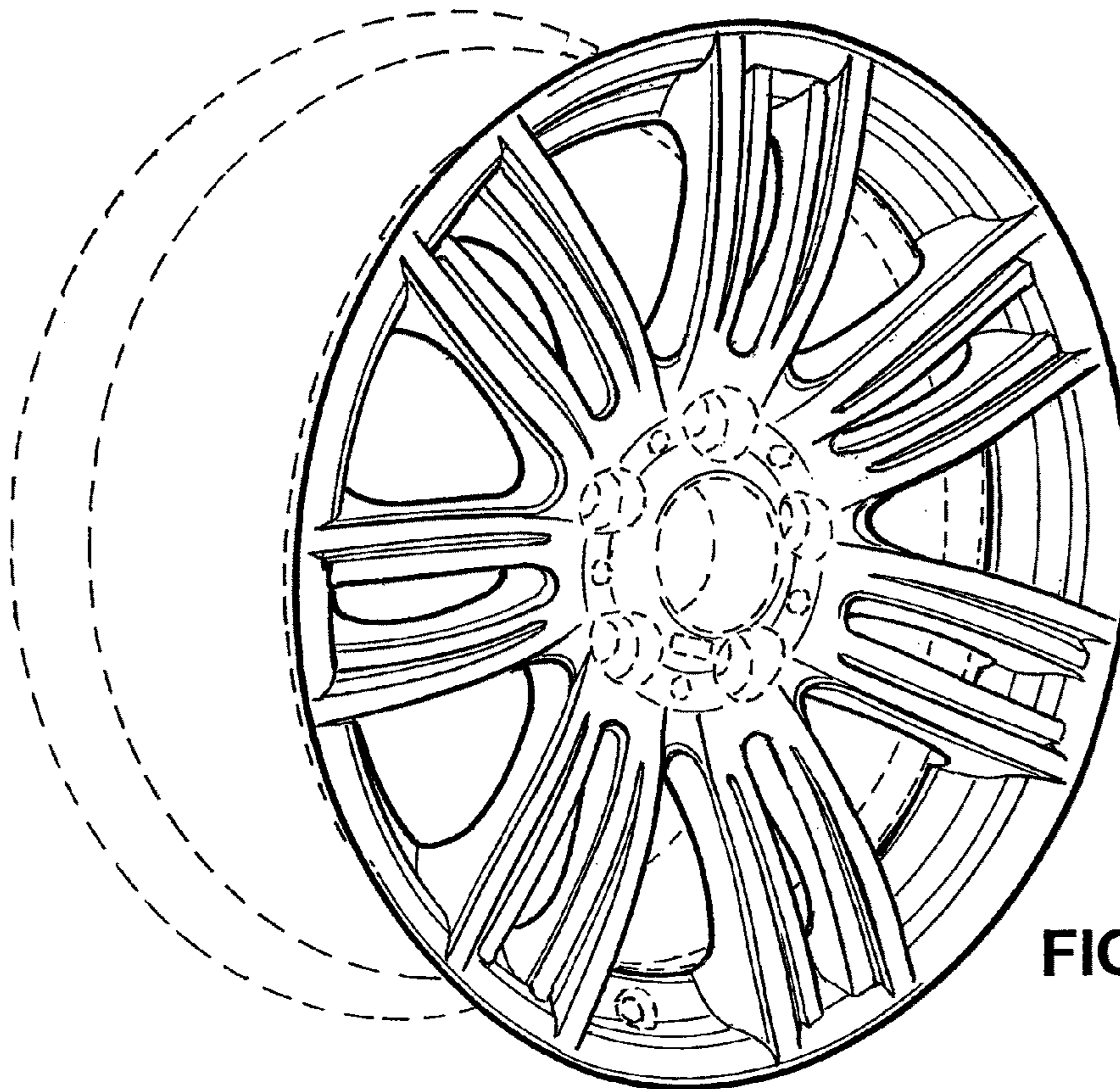


FIG. 2