



US00D654006S

(12) **United States Design Patent**
Baum

(10) **Patent No.:** **US D654,006 S**

(45) **Date of Patent:** **** Feb. 14, 2012**

(54) **WHEEL OR WHEEL COVER**

(75) **Inventor:** **Stephan Baum, Olching (DE)**

(73) **Assignee:** **Bayerische Motoren Werke
Aktiengesellschaft, Munich (DE)**

(**) **Term:** **14 Years**

(21) **Appl. No.:** **29/393,767**

(22) **Filed:** **Jun. 9, 2011**

(30) **Foreign Application Priority Data**

Dec. 10, 2010 (DE) 402010006653

(51) **LOC (9) Cl.** **12-16**

(52) **U.S. Cl.** **D12/209**

(58) **Field of Classification Search** D12/204-213;
301/37.101, 64.101, 65, 64.201
See application file for complete search history.

(56) **References Cited**

U.S. PATENT DOCUMENTS

D433,659 S *	11/2000	Frizzi	D12/211
D472,866 S *	4/2003	Pfeiffer et al.	D12/211
D492,235 S	6/2004	Nordmann	
D506,717 S *	6/2005	Gallert	D12/209
D515,491 S	2/2006	Elmitt	
D522,432 S *	6/2006	Pfeiffer	D12/209
D522,434 S *	6/2006	Langer	D12/209
D522,952 S *	6/2006	Nakahara	D12/211
D538,216 S	3/2007	Sycha	
D558,118 S *	12/2007	Hueller	D12/211

D563,305 S *	3/2008	Schweizer	D12/211
D580,842 S *	11/2008	Kim	D12/211
D590,314 S *	4/2009	Hettler	D12/209
D594,802 S *	6/2009	Gustafsson	D12/211
D598,834 S *	8/2009	Juergens et al.	D12/209
D603,318 S *	11/2009	Luciani et al.	D12/209
D609,623 S *	2/2010	Gallert	D12/209
D617,243 S *	6/2010	Juergens et al.	D12/209
D625,235 S *	10/2010	Nissl	D12/209
D626,052 S	10/2010	Majdandzic	
D645,389 S *	9/2011	Nissl	D12/209

FOREIGN PATENT DOCUMENTS

DE	40104441.6	9/2001
EM	000304274-0004	5/2005
EM	000577945-0002	9/2006
EM	001684507-0004	10/2010

* cited by examiner

Primary Examiner — Stacia Cadmus

(74) *Attorney, Agent, or Firm* — Crowell & Moring LLP

(57) **CLAIM**

The ornamental design for a wheel or wheel cover, as shown and described.

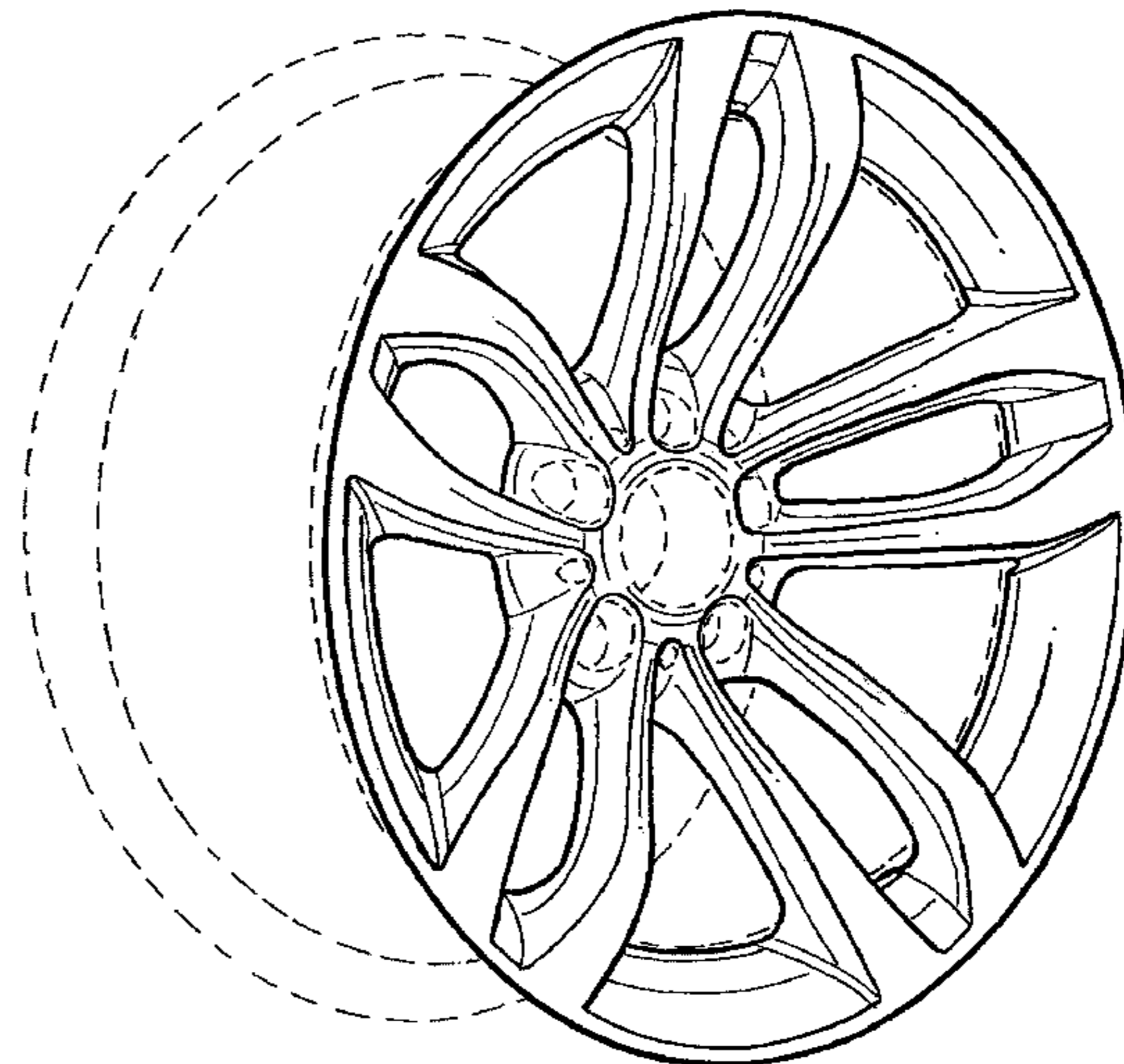
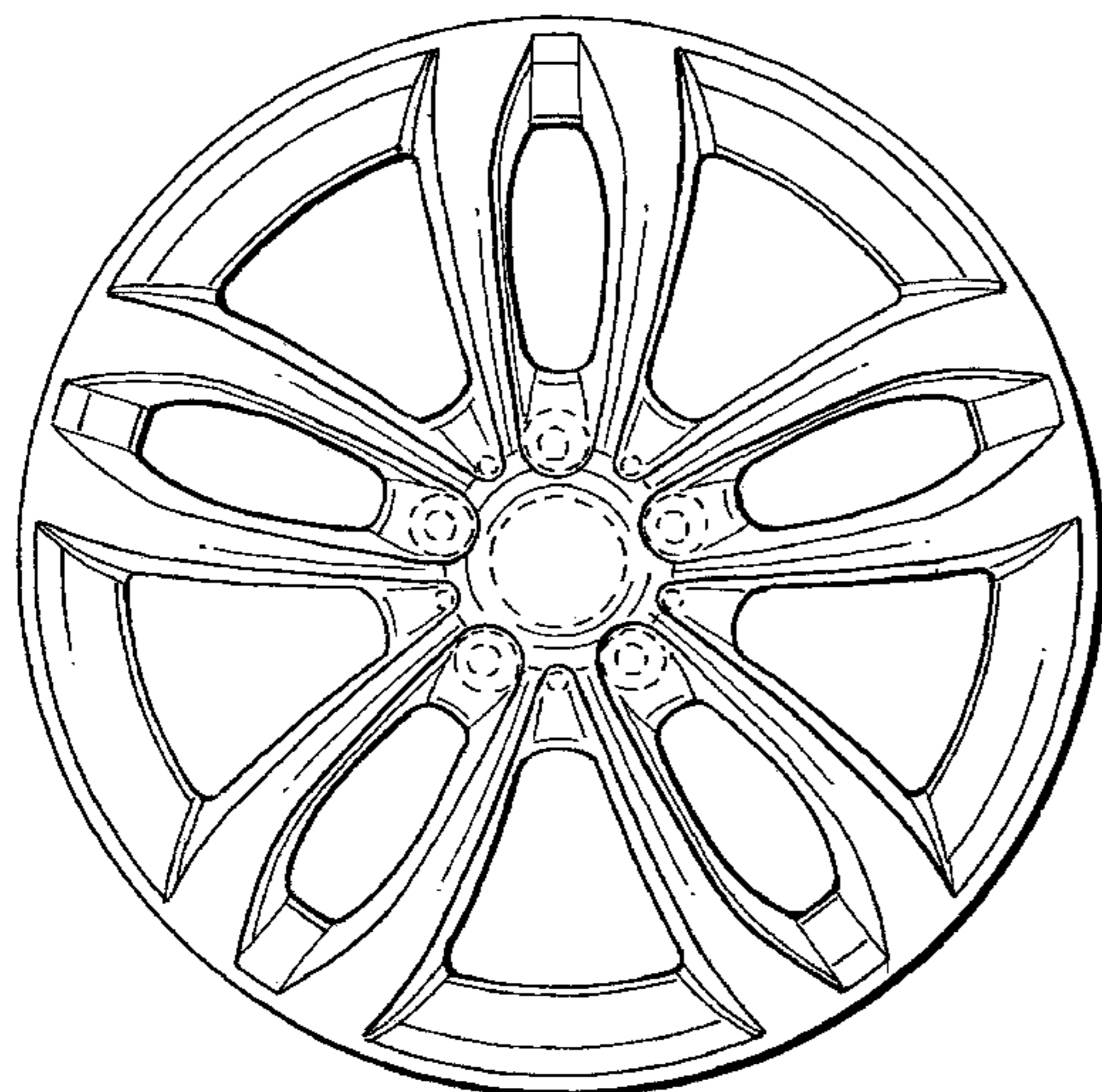
DESCRIPTION

FIG. 1 is a front view of a wheel or wheel cover according to my design; and,

FIG. 2 is a perspective view thereof.

The broken line showing of the rear of the wheel, and the bolt holes and the center cap in the central hub area is included for the purpose of illustrating environment and forms no part of the claimed design.

1 Claim, 1 Drawing Sheet



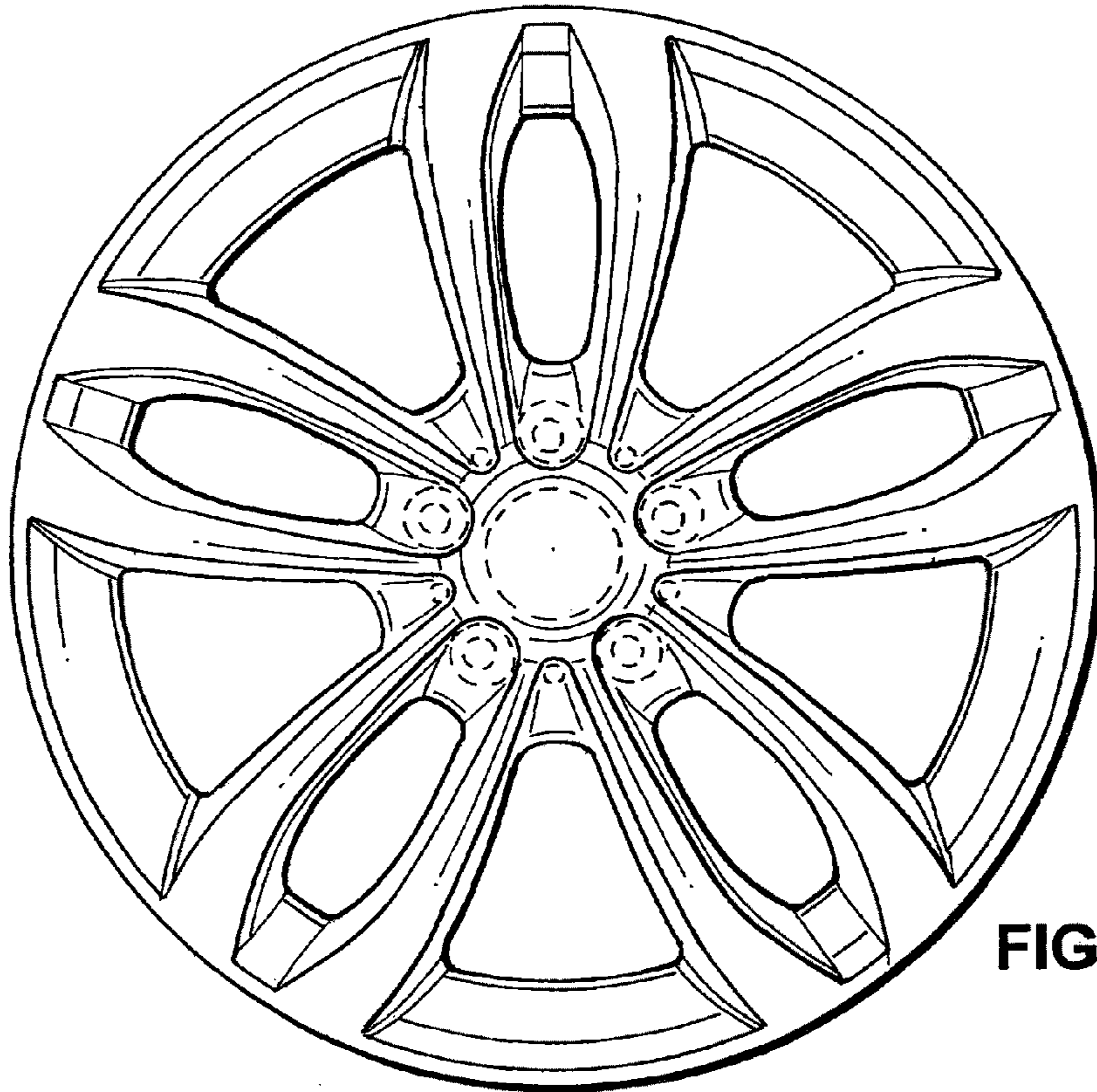


FIG. 1

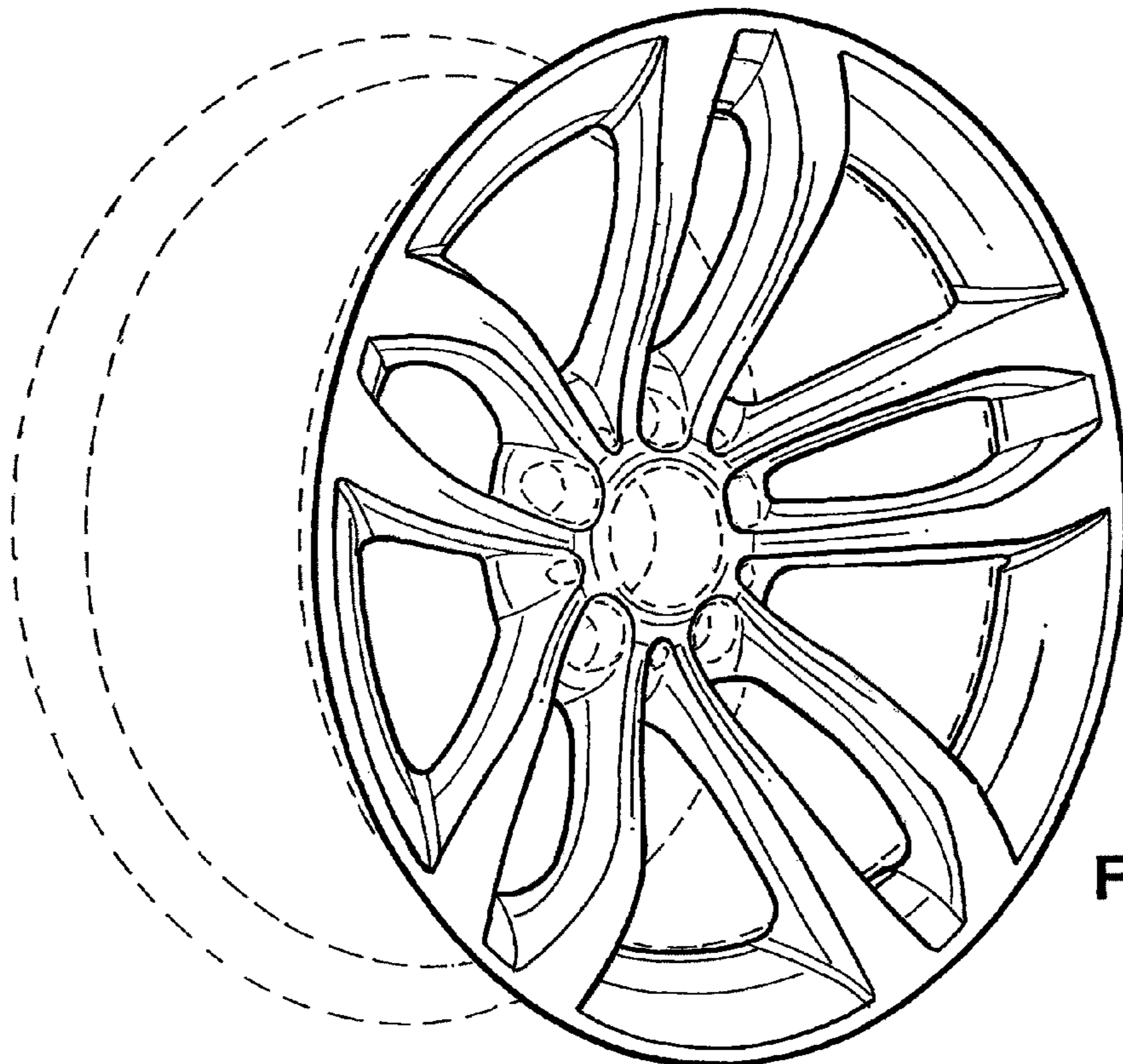


FIG. 2