

US00D654005S

(12) **United States Design Patent**
Mueller-Stolz et al.

(10) **Patent No.:** **US D654,005 S**
(45) **Date of Patent:** **** Feb. 14, 2012**

(54) **WHEEL OR WHEEL COVER**

(75) Inventors: **Dirk Mueller-Stolz**, Munich (DE);
Henning Holstein, Dietersburg (DE);
Marcus Syring, Munich (DE)

(73) Assignee: **Bayerische Motoren Werke**
Aktiengesellschaft, Munich (DE)

(**) Term: **14 Years**

(21) Appl. No.: **29/371,386**

(22) Filed: **Jan. 26, 2011**

(30) **Foreign Application Priority Data**

Jul. 27, 2010 (DE) 40 2010 004 177

(51) **LOC (9) Cl.** **12-16**

(52) **U.S. Cl.** **D12/209**

(58) **Field of Classification Search** D12/204-213;
301/37.101, 64.101, 65, 64.201

See application file for complete search history.

(56) **References Cited**

U.S. PATENT DOCUMENTS

D500,004 S 12/2004 Szavits
D543,493 S * 5/2007 Kim D12/209
D549,149 S * 8/2007 Thomas et al. D12/209
D563,305 S 3/2008 Schweizer

D569,778 S * 5/2008 Kim D12/211
D578,458 S * 10/2008 Cortes D12/211
D582,334 S * 12/2008 Fournier D12/211
D582,831 S * 12/2008 Musser D12/211
D586,715 S * 2/2009 Cortes D12/211
D590,315 S * 4/2009 Chung D12/209
D596,101 S * 7/2009 Tant et al. D12/211
D624,863 S * 10/2010 Zhao D12/211
D625,243 S * 10/2010 Holstein D12/211

FOREIGN PATENT DOCUMENTS

EM 000141791-0006 6/2004
EM 000482419-0003 10/2006
EM 000689344-0001 1/2008
EM 001674441-0002 12/2010

* cited by examiner

Primary Examiner — Stacia Cadmus

(74) *Attorney, Agent, or Firm* — Crowell & Moring LLP

(57) **CLAIM**

The ornamental design for a wheel or wheel cover, as shown and described.

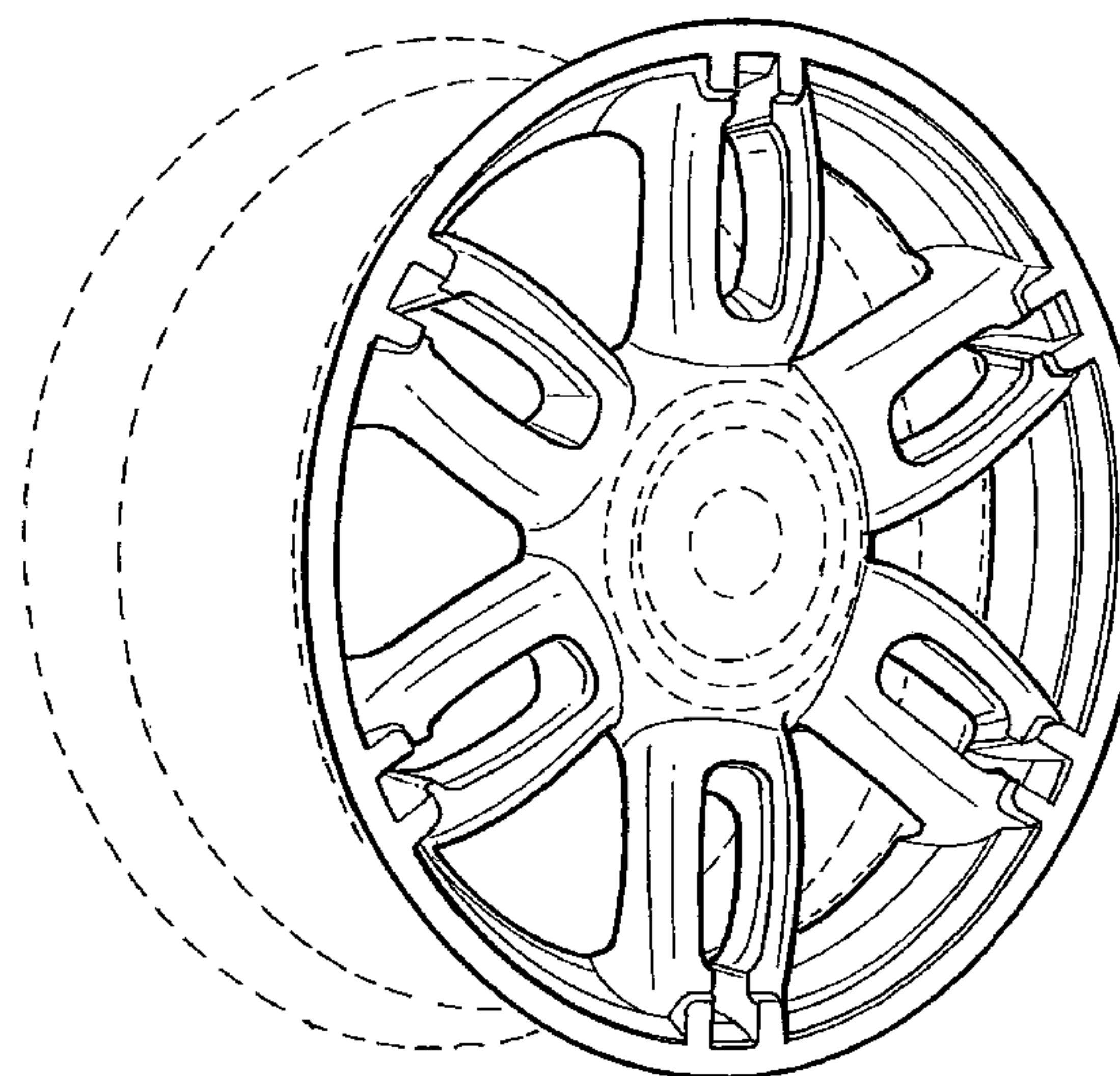
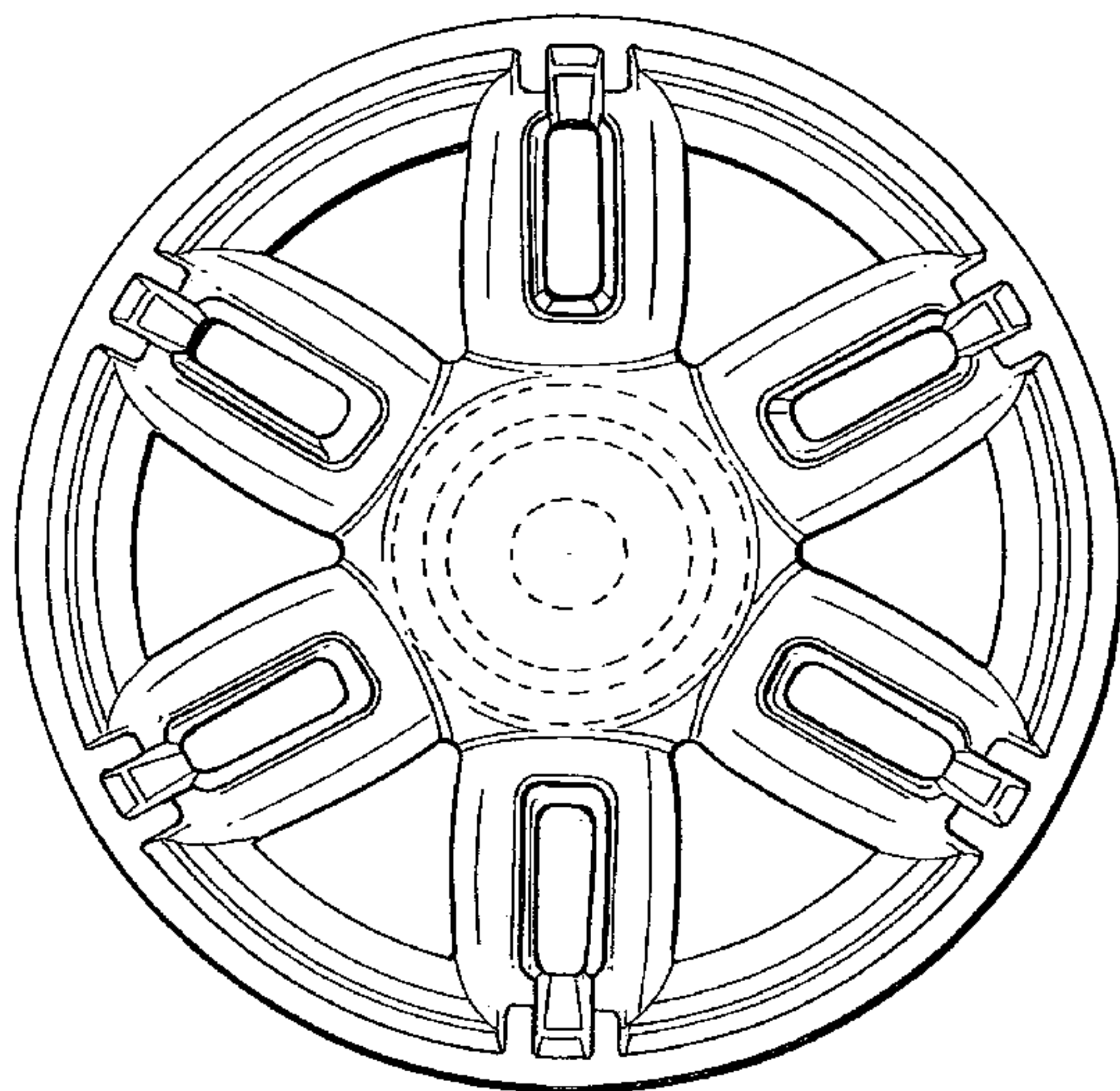
DESCRIPTION

FIG. 1 is a front view of a wheel or wheel cover according to our design; and,

FIG. 2 is a perspective view thereof.

The broken line showing of the rear of the wheel and the central hub area is included for the purpose of illustrating environment and forms no part of the claimed design.

1 Claim, 1 Drawing Sheet



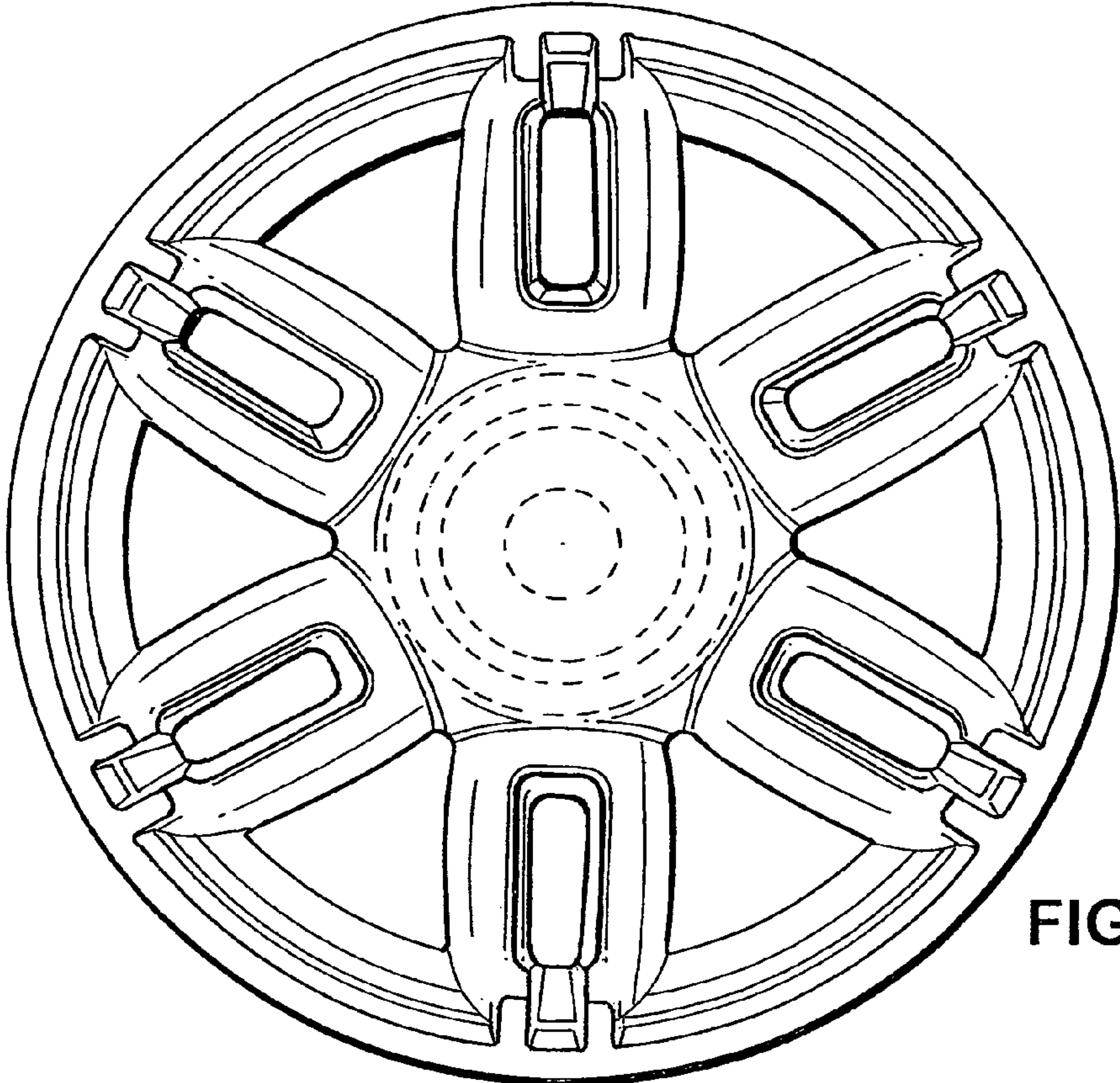


FIG. 1

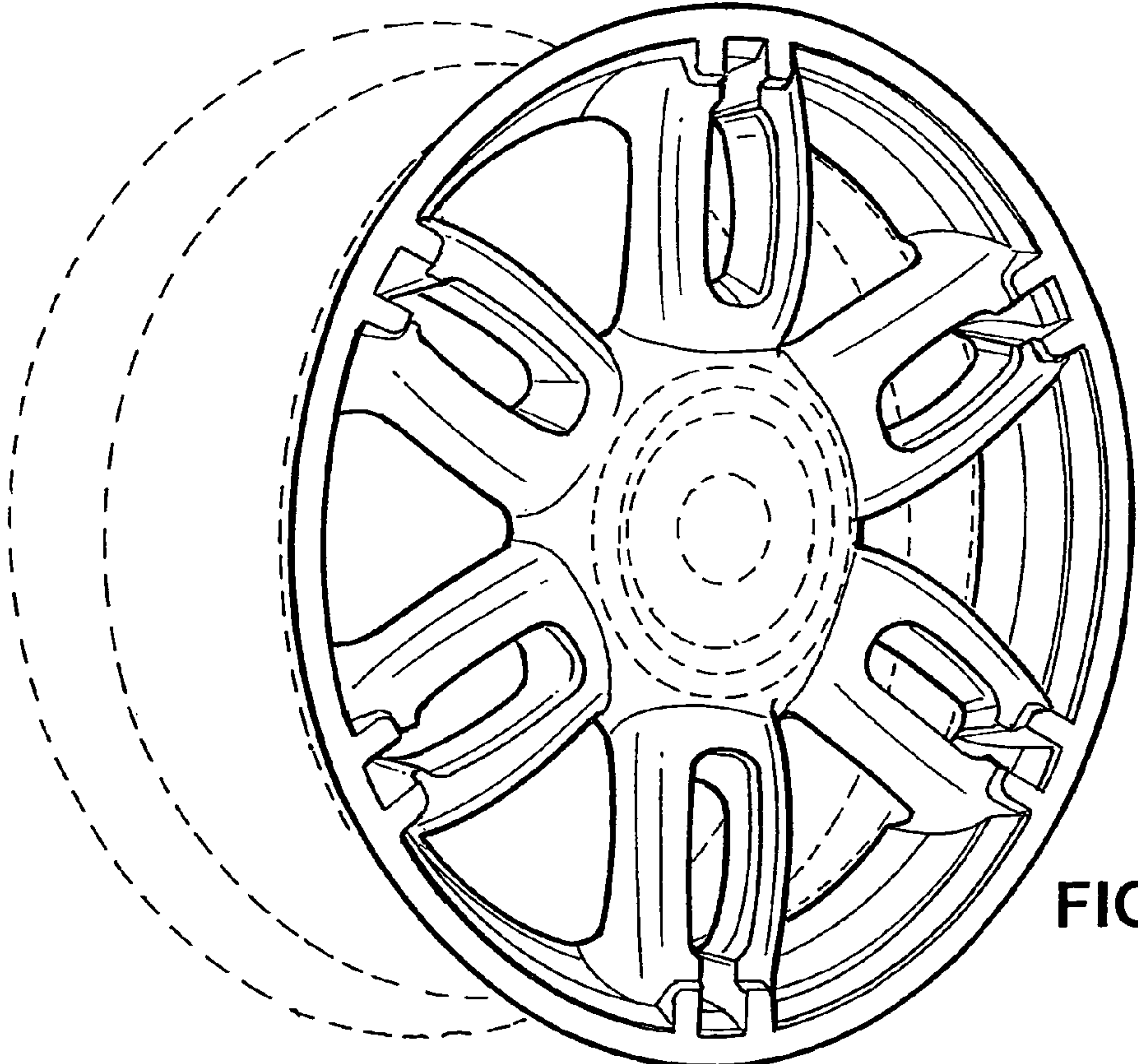


FIG. 2