



US00D654004S

(12) **United States Design Patent**
Hamajima et al.

(10) **Patent No.:** **US D654,004 S**
(45) **Date of Patent:** **** Feb. 14, 2012**

(54) **DASHBOARD FOR AN AUTOMOBILE**

(75) Inventors: **Naoki Hamajima**, Toyota (JP);
Kenichirou Maeda, Toyota (JP);
Tsuyoshi Oba, Toyota (JP)

(73) Assignee: **Toyota Jidosha Kabushiki Kaisha**,
Toyota-shi (JP)

(**) Term: **14 Years**

(21) Appl. No.: **29/388,650**

(22) Filed: **Mar. 31, 2011**

(51) **LOC (9) Cl.** **12-16**

(52) **U.S. Cl.** **D12/192**

(58) **Field of Classification Search** D12/192,
D12/415, 110, 114; 180/90; 296/190.01–190.09,
296/191, 70; 280/750–752; D15/17, 28;
D10/46, 98, 102–103, 122–127

See application file for complete search history.

(56) **References Cited**

U.S. PATENT DOCUMENTS

D389,798	S	*	1/1998	Ma et al.	D12/192
D464,008	S	*	10/2002	Siegert et al.	D12/192
D499,998	S	*	12/2004	Tanaka et al.	D12/192
6,854,783	B2	*	2/2005	Teranishi et al.	296/70
D519,893	S	*	5/2006	Kabayama et al.	D12/192
D532,353	S		11/2006	Honda et al.		
D549,628	S	*	8/2007	Esaki et al.	D12/192
D558,109	S		12/2007	Misugi et al.		

D558,656	S	*	1/2008	Tanaka et al.	D12/192
D560,150	S	*	1/2008	Honma et al.	D12/192
D625,233	S		10/2010	Mizuhata et al.		
2009/0261613	A1	*	10/2009	Johnson et al.	296/72

OTHER PUBLICATIONS

Aston Martin DBS, Mfg. Aston Martin, europeancarweb.com, URL:
<http://www.europeancarweb.com>. 2008.

Land Rover LR2, Land Rover, netcarshow.com, URL: <http://www.netcarshow.com>. 2007.

* cited by examiner

Primary Examiner — Caron D Veynar

Assistant Examiner — Katrina A Betton

(74) *Attorney, Agent, or Firm* — Finnegan, Henderson,
Farabow, Garrett & Dunner, LLP

(57) **CLAIM**

The ornamental design for a dashboard for an automobile, as shown and described.

DESCRIPTION

FIG. 1 is a front perspective view of a dashboard for an automobile of our new design;

FIG. 2 is a front view thereof;

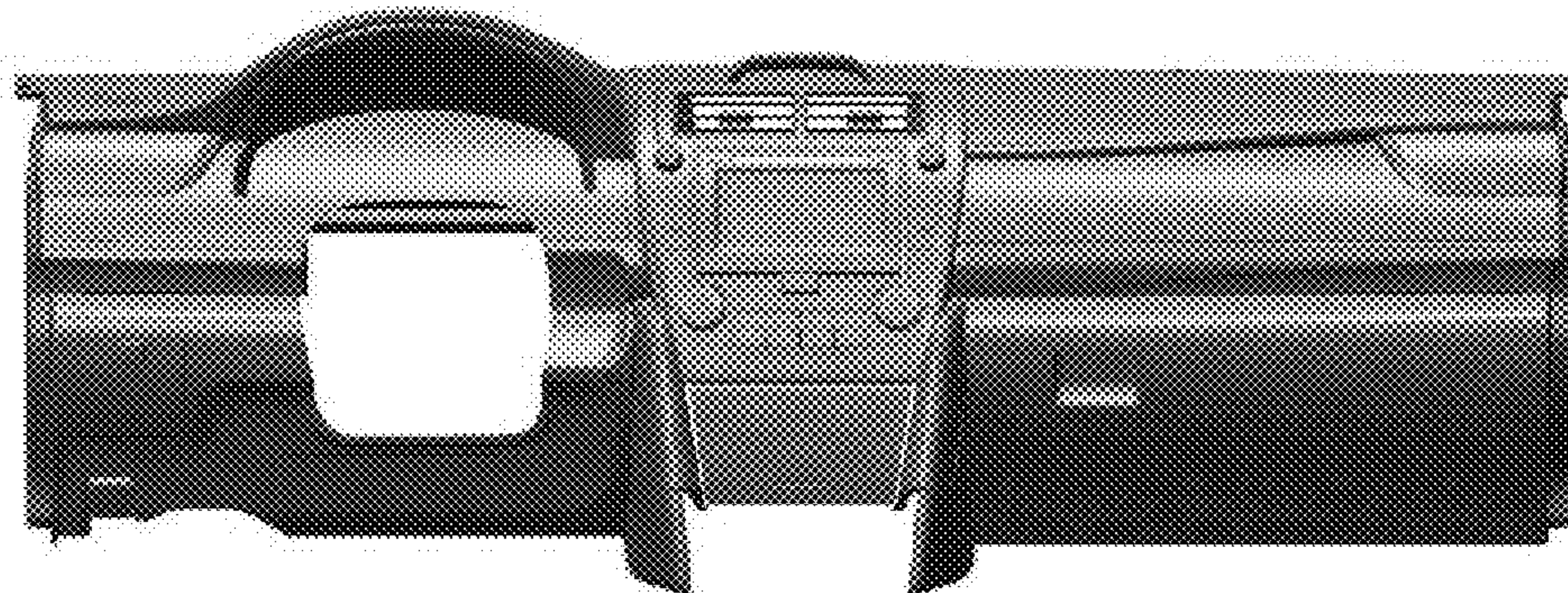
FIG. 3 is a top plan view thereof;

FIG. 4 is a bottom view thereof;

FIG. 5 is a right side view thereof; and,

FIG. 6 is a left side view thereof.

1 Claim, 4 Drawing Sheets



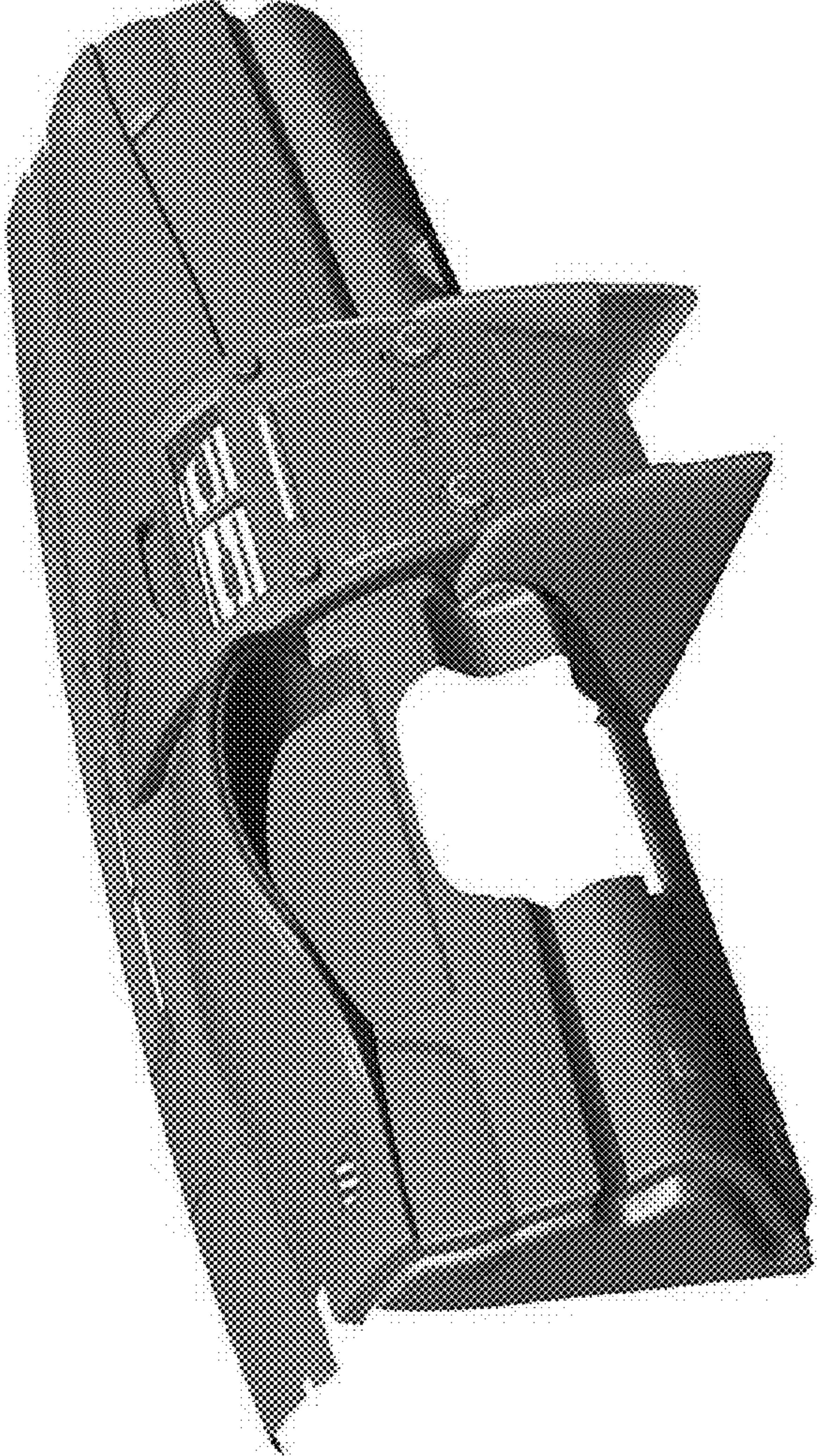


FIG. 1

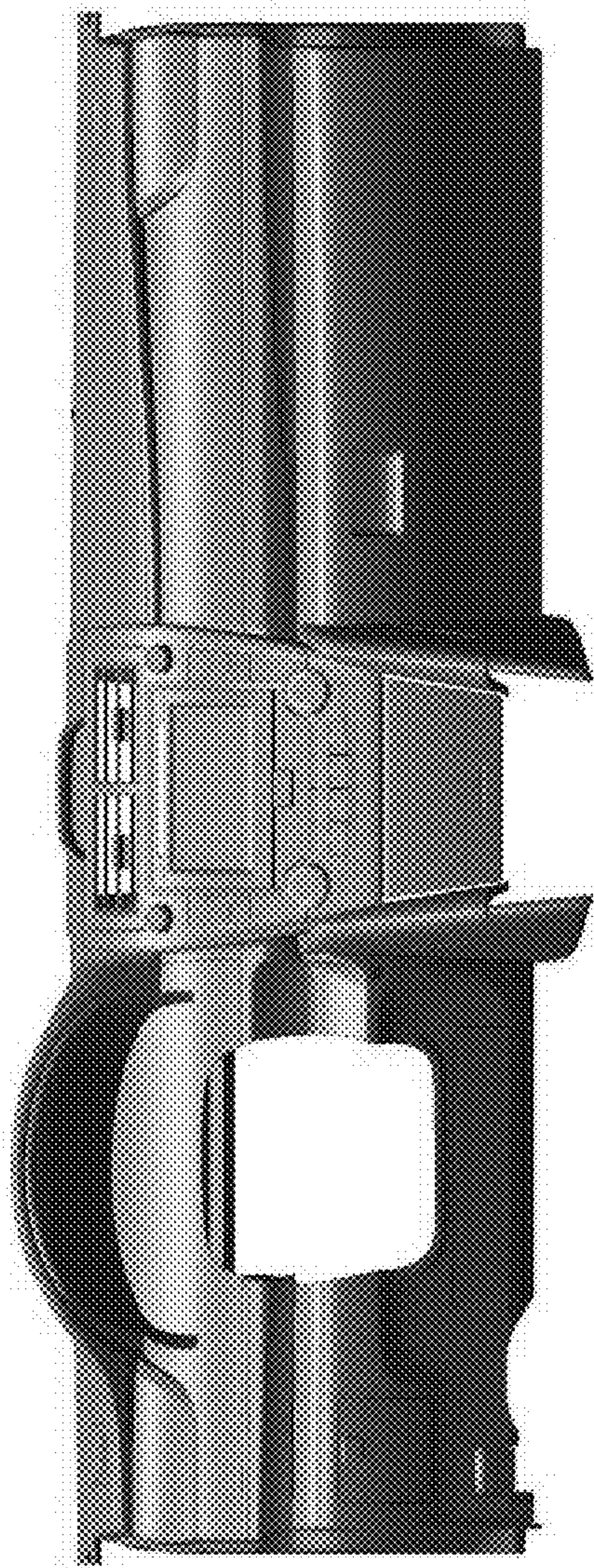


FIG. 2

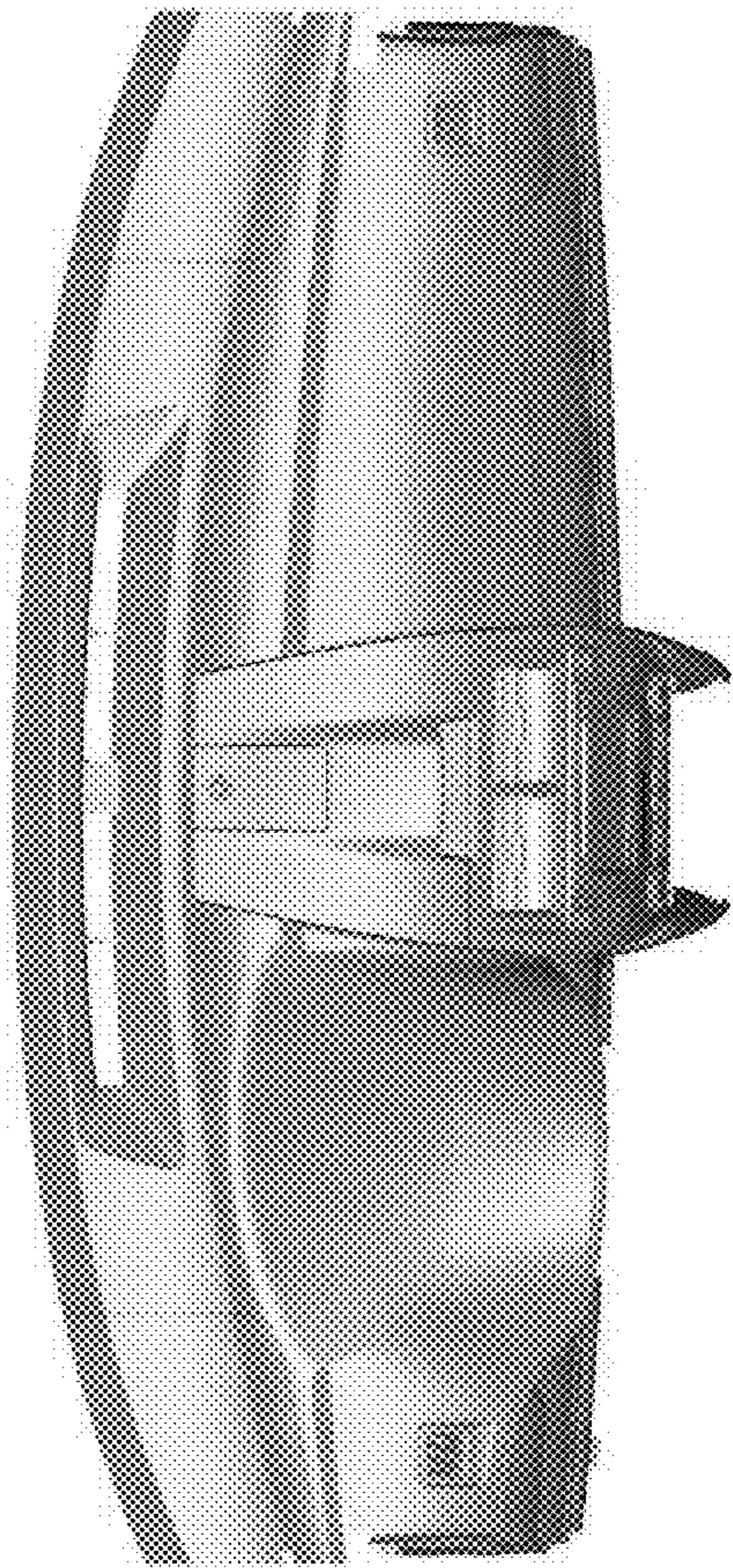


FIG. 3

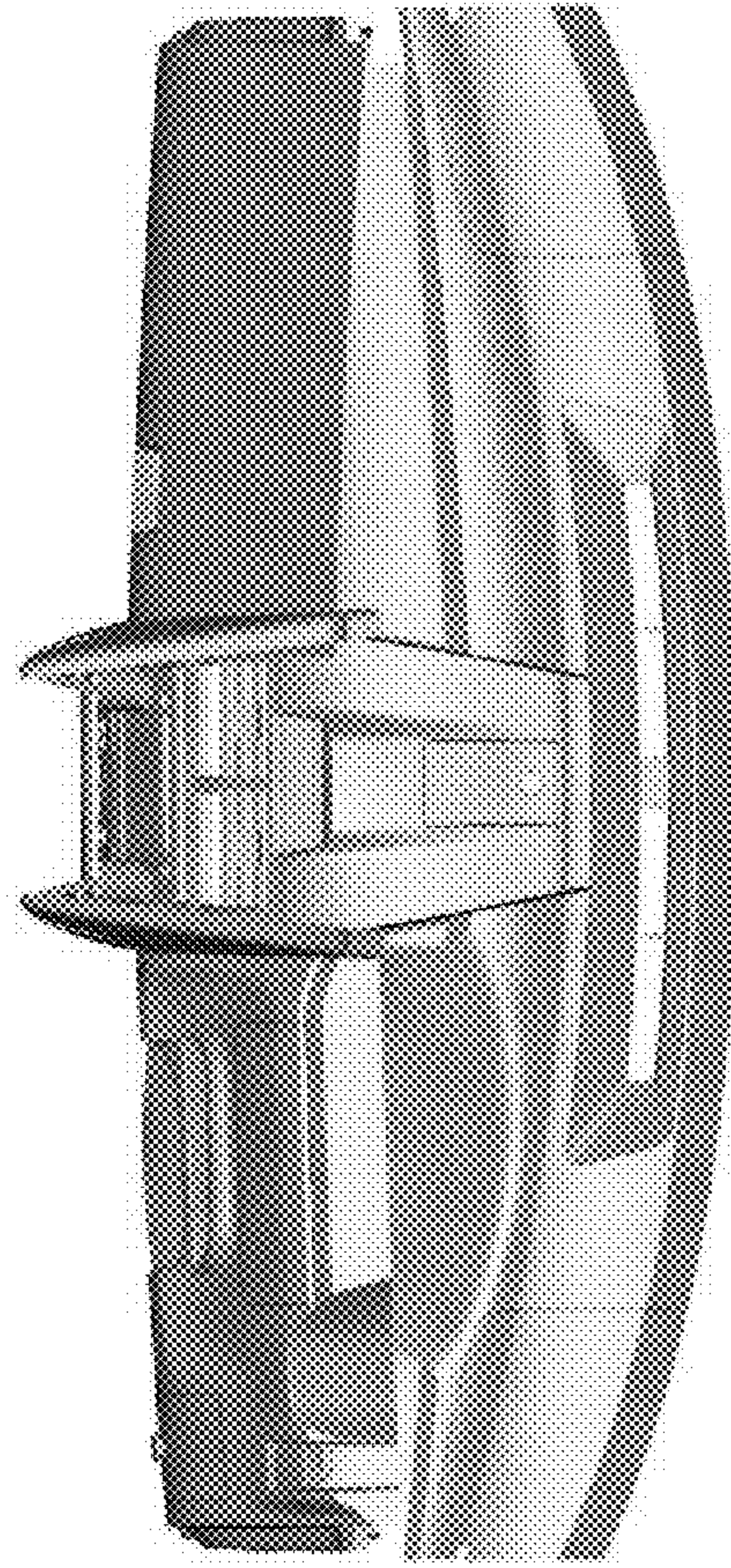


FIG. 4

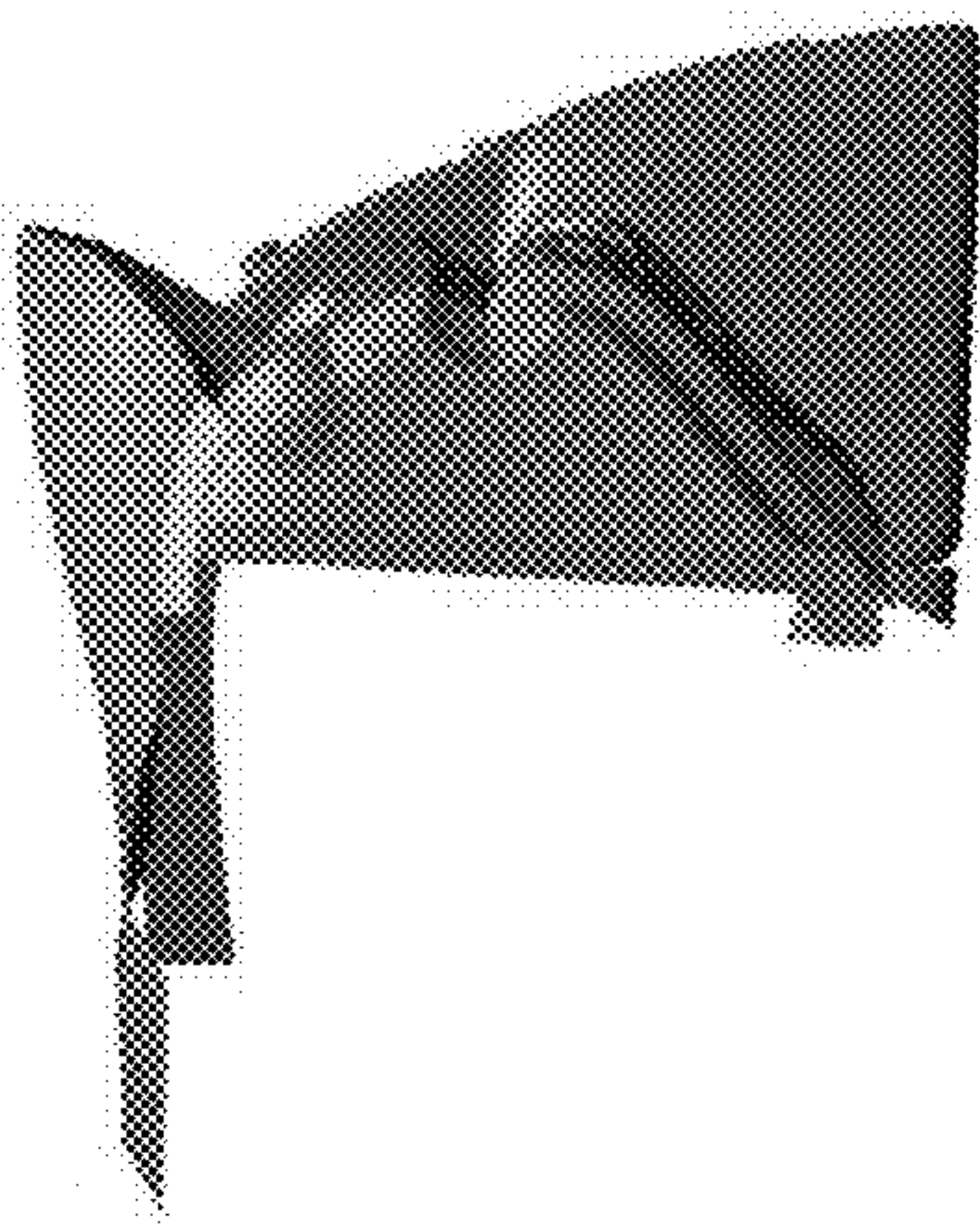


FIG. 5

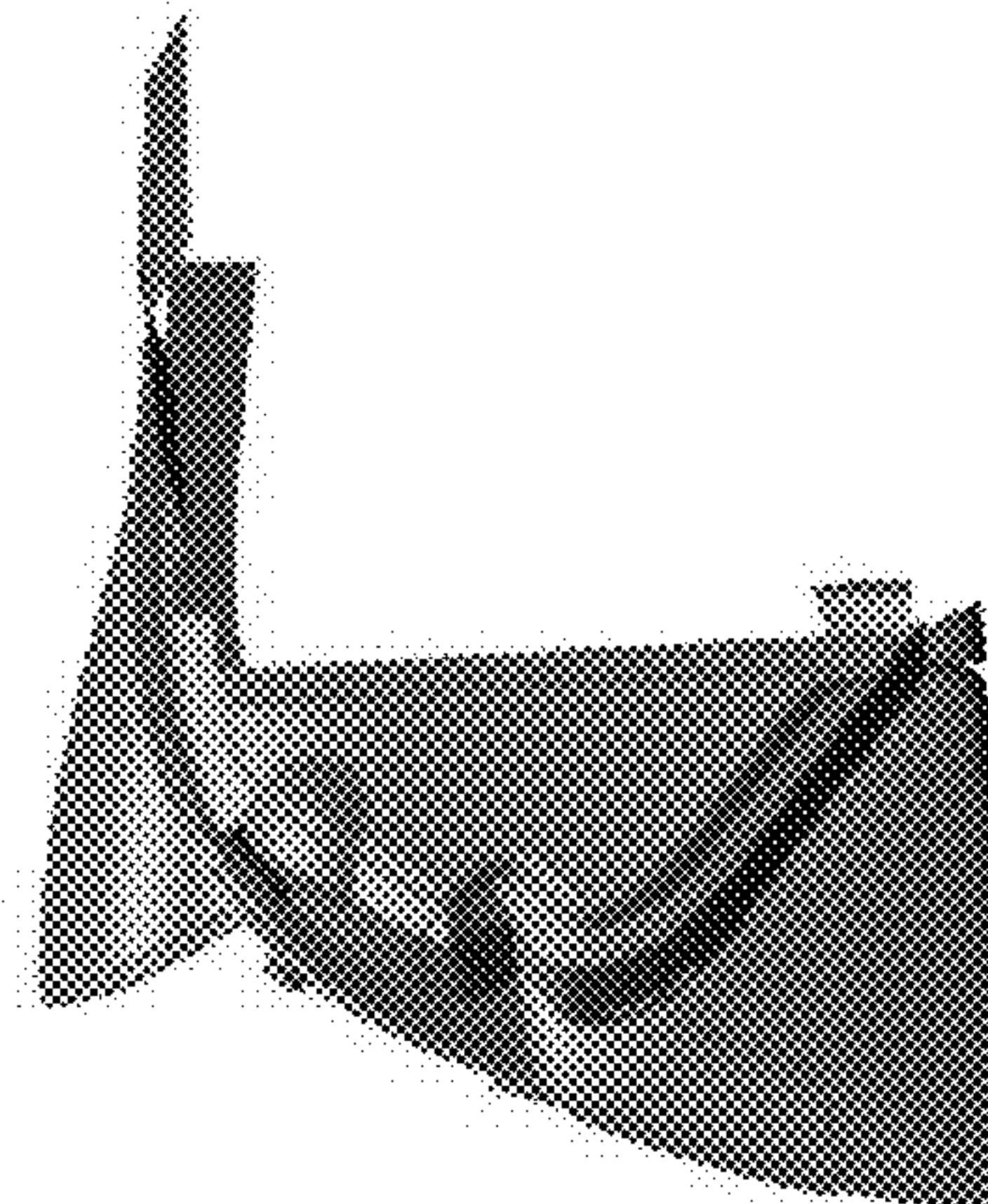


FIG. 6