



US00D654001S

(12) **United States Design Patent**
Peters et al.

(10) **Patent No.:** **US D654,001 S**

(45) **Date of Patent:** **** Feb. 14, 2012**

(54) **CONTROL UNIT**

(75) Inventors: **Ole Peters**, Neuenkoogsdeich (DE);
Florian Reinmuth, Sinsheim (DE)

(73) Assignee: **Deere & Company**, Moline, IL (US)

(**) Term: **14 Years**

(21) Appl. No.: **29/383,084**

(22) Filed: **Jan. 12, 2011**

(30) **Foreign Application Priority Data**

Jul. 13, 2010 (EM) 001730839

(51) **LOC (9) Cl.** **12-16**

(52) **U.S. Cl.** **D12/179**

(58) **Field of Classification Search** D12/174,
D12/179; D14/412-416, 302; D21/324,
D21/328, 333, 565, 566; 74/473.14, 473.16,
74/473.23, 473.29, 473.3, 490.14, 523, 543,
74/573.1; 446/7, 430; 477/113

See application file for complete search history.

(56) **References Cited**

U.S. PATENT DOCUMENTS

D581,327 S *	11/2008	Kluck	D12/179
D581,328 S *	11/2008	Kluck	D12/179
D581,843 S *	12/2008	Kluck	D12/179
D610,506 S *	2/2010	Valerioti	D12/179

* cited by examiner

Primary Examiner — Melody N Brown

(57) **CLAIM**

The ornamental design for a control unit, as shown and described.

DESCRIPTION

FIG. 1 is a perspective front left side view of a control unit. FIG. 2 is a perspective rear left side view of the control unit thereof.

FIG. 3 is a left side view of the control unit thereof.

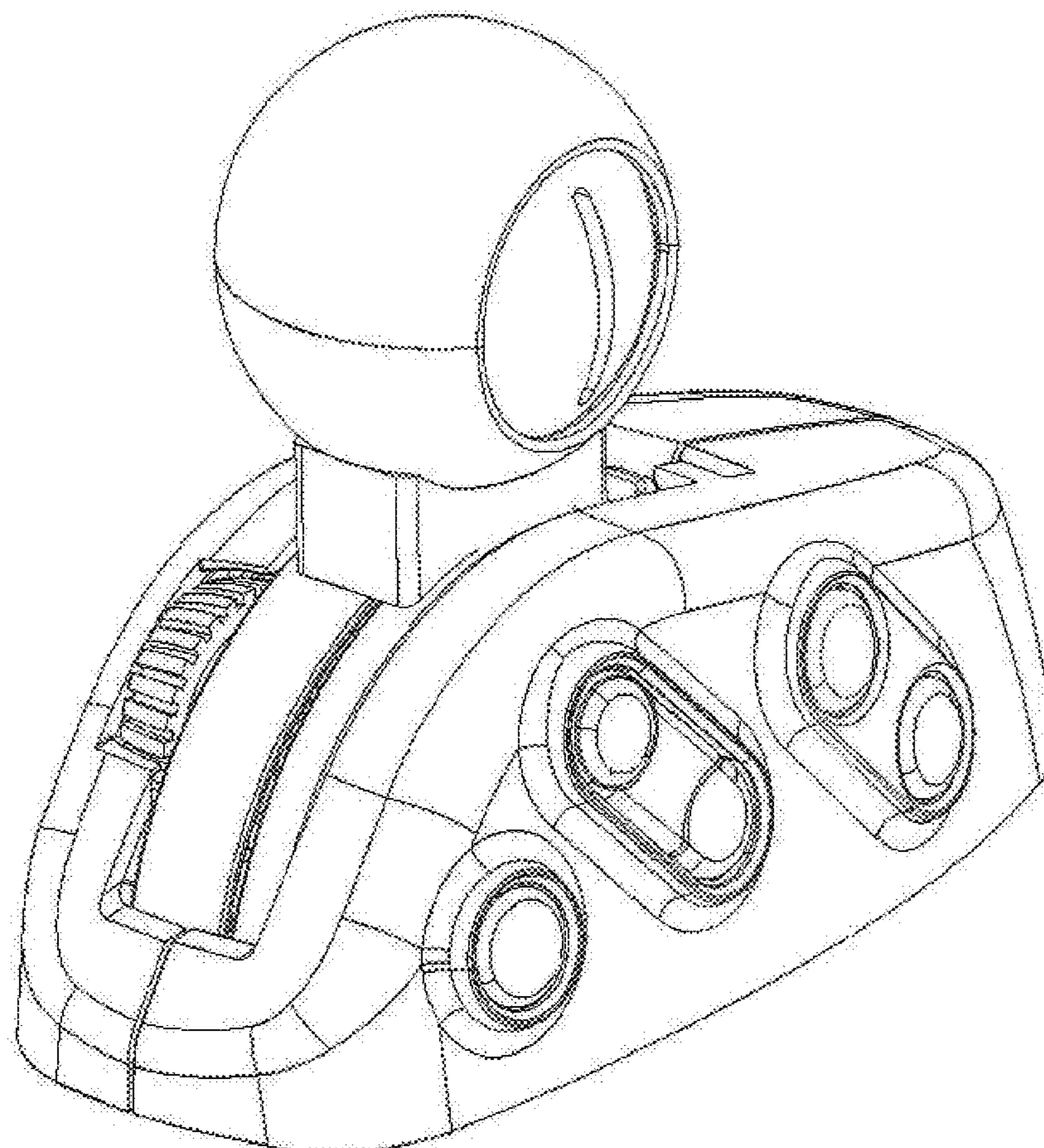
FIG. 4 is front view of the control unit thereof.

FIG. 5 is a top view of the control unit thereof.

FIG. 6 is a right side view of the control unit thereof; and,

FIG. 7 is a rear view of the control unit thereof.

1 Claim, 7 Drawing Sheets



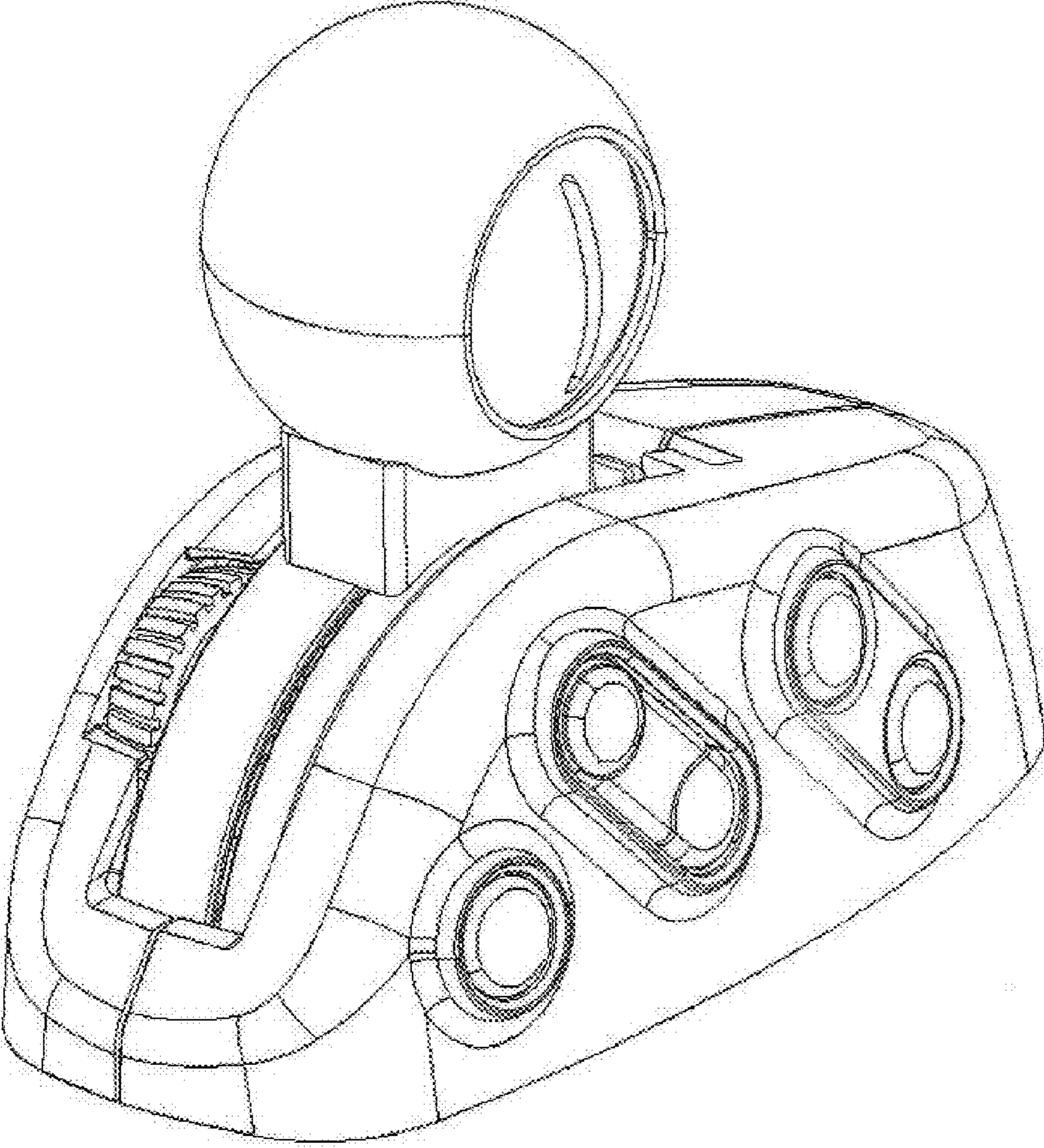


FIG. 1

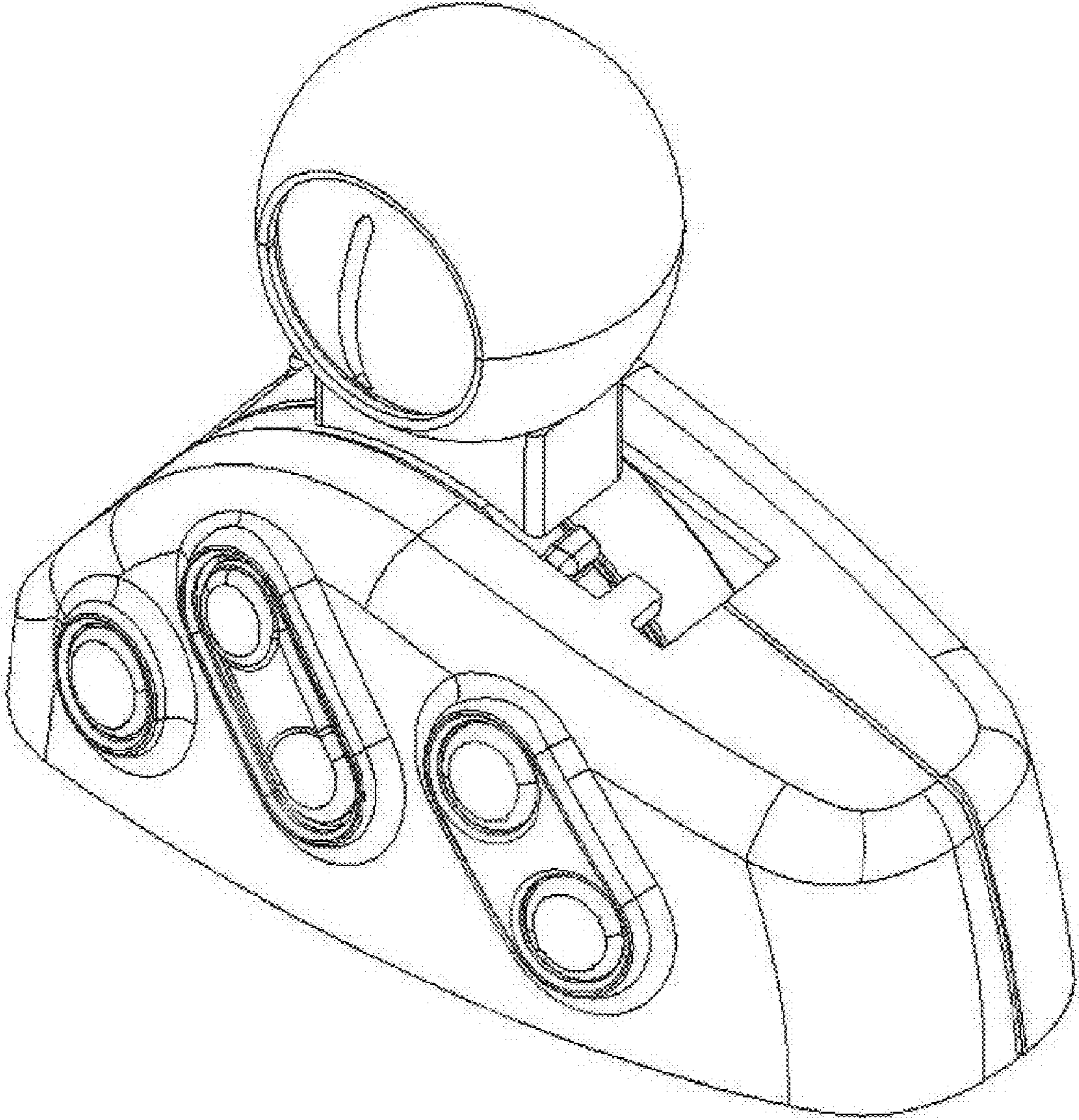


FIG. 2

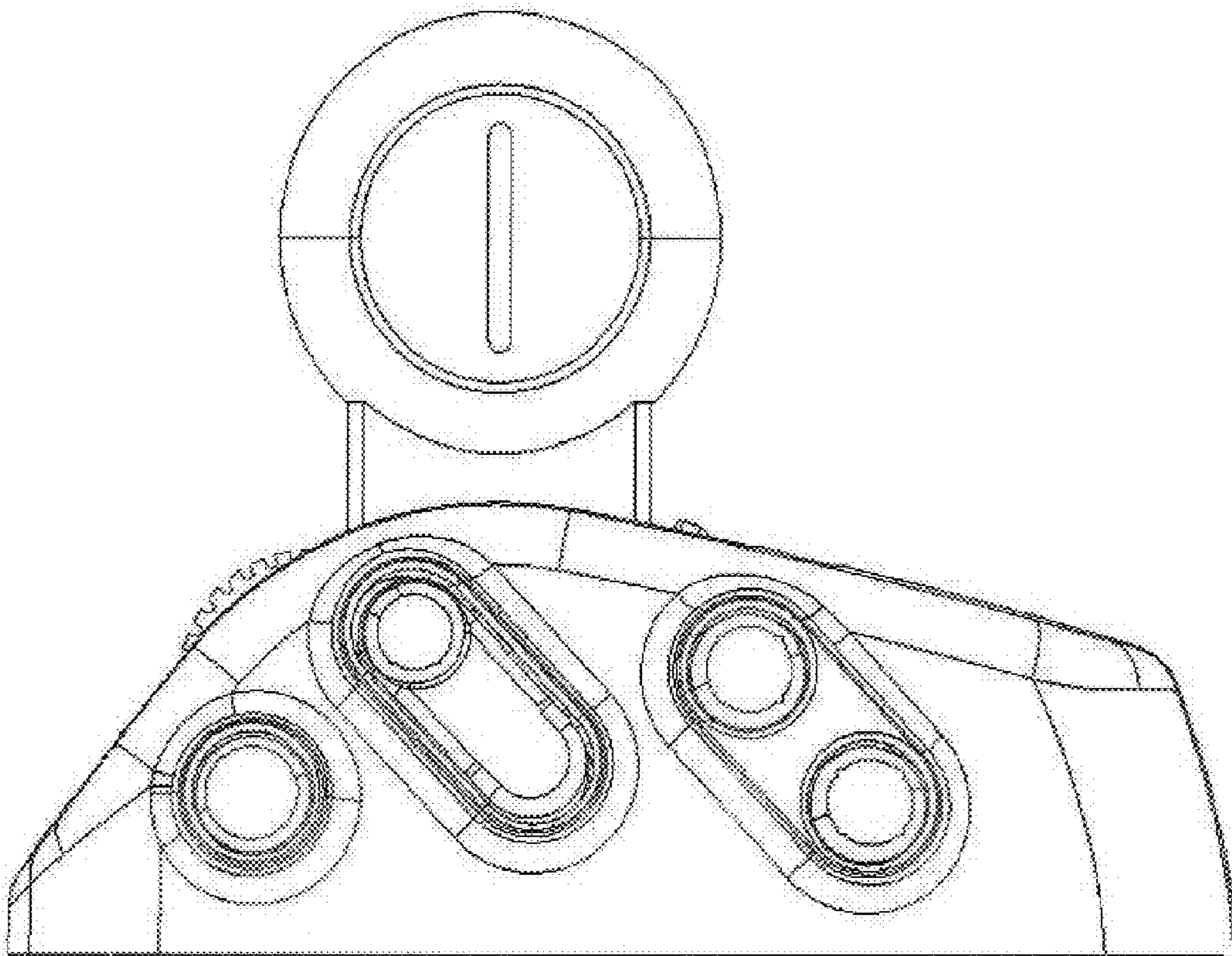


FIG. 3

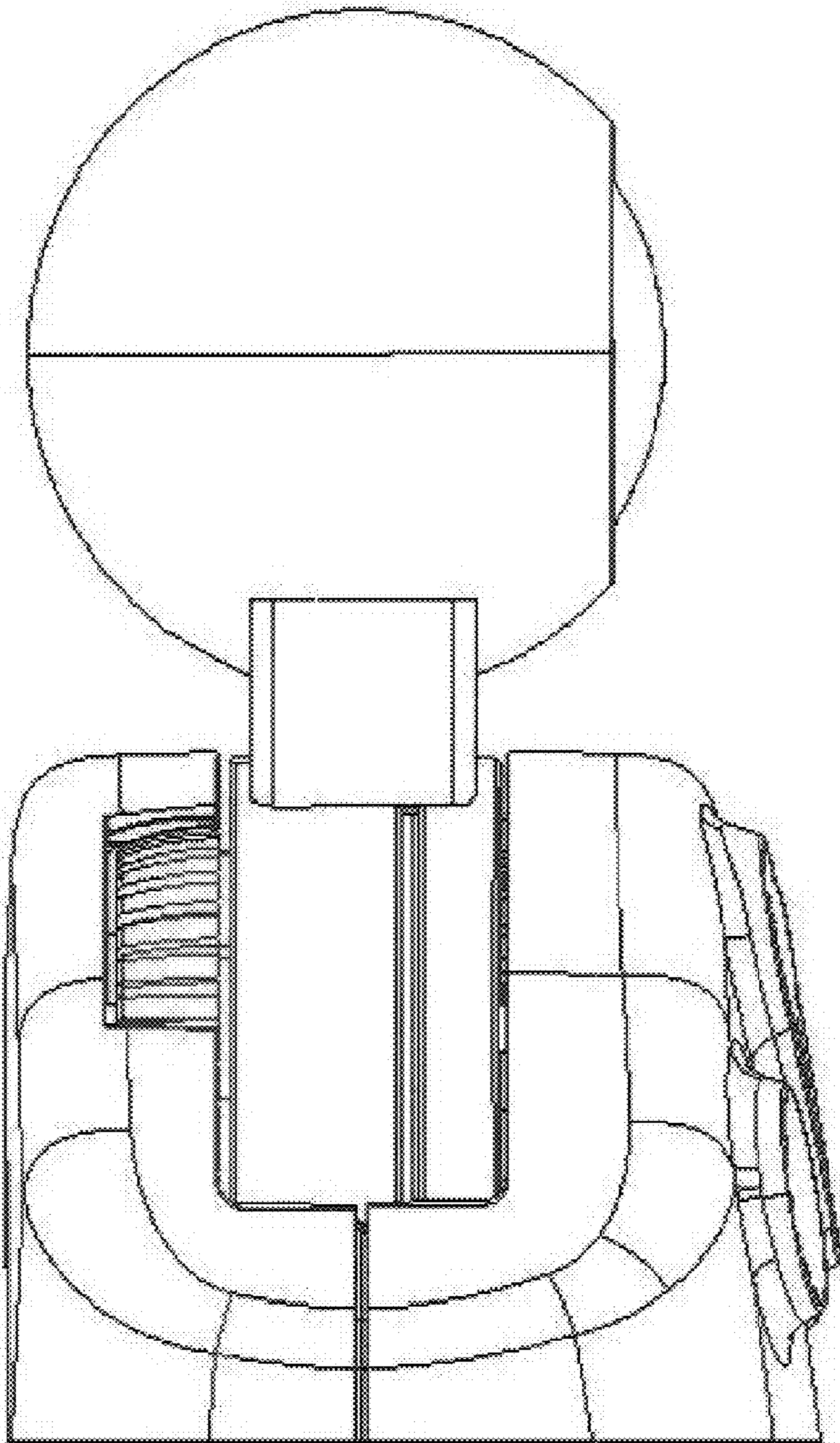


FIG. 4

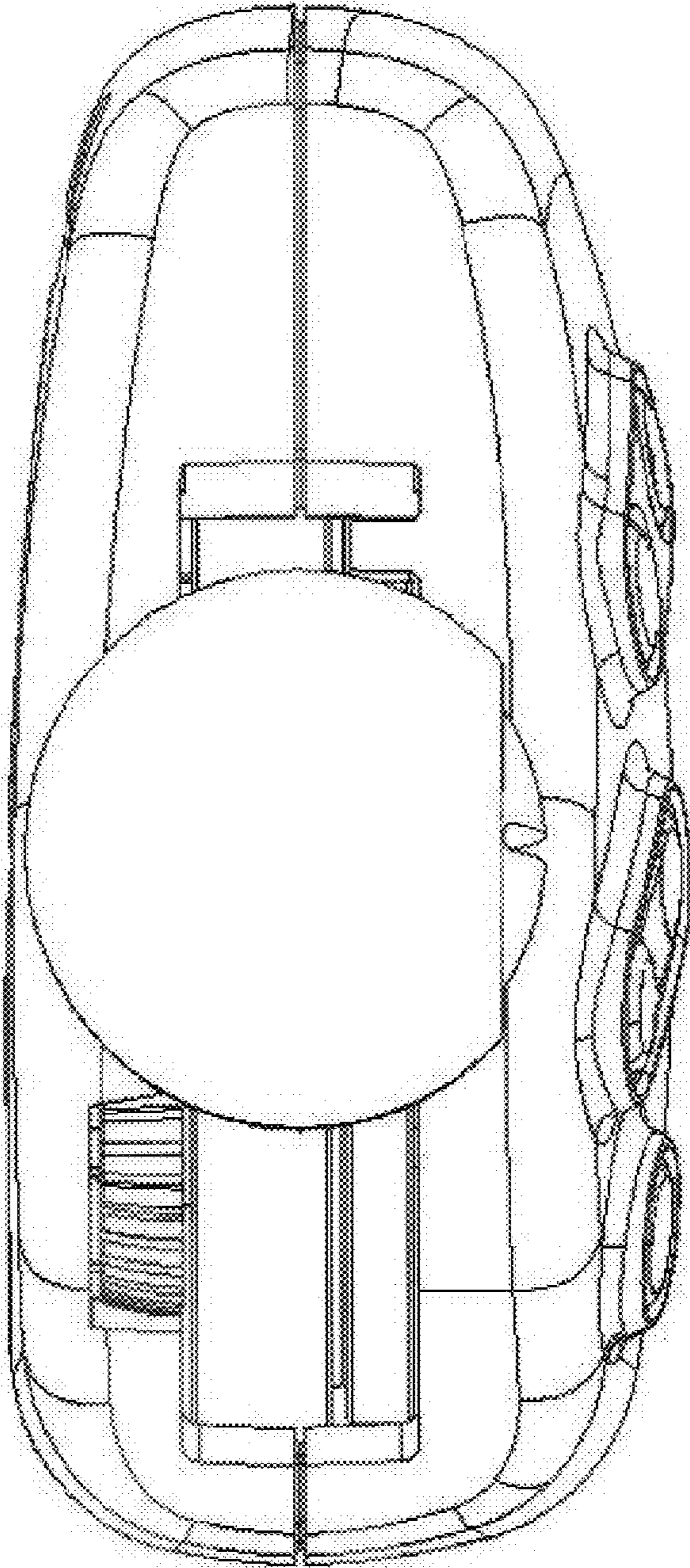


FIG. 5

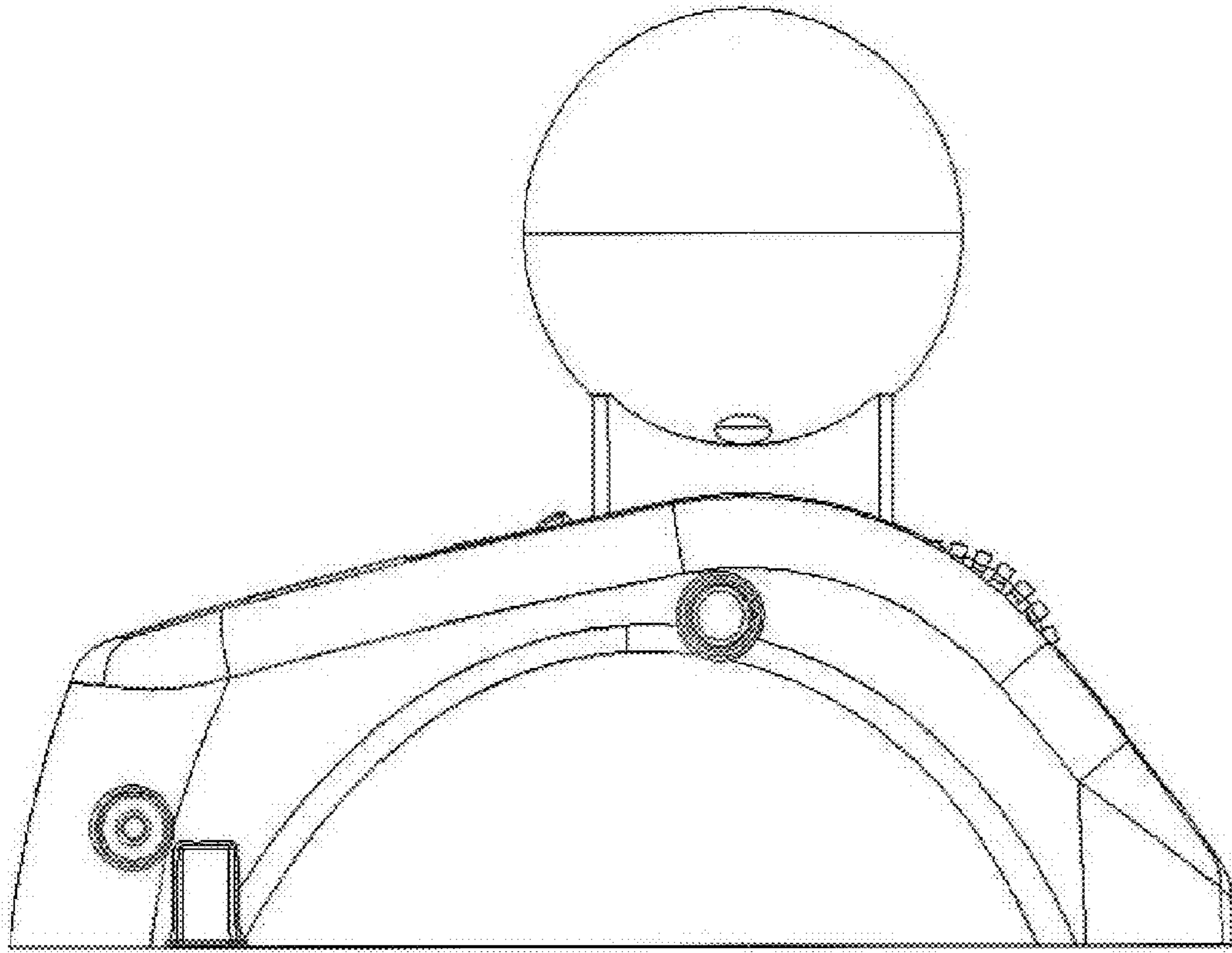


FIG. 6

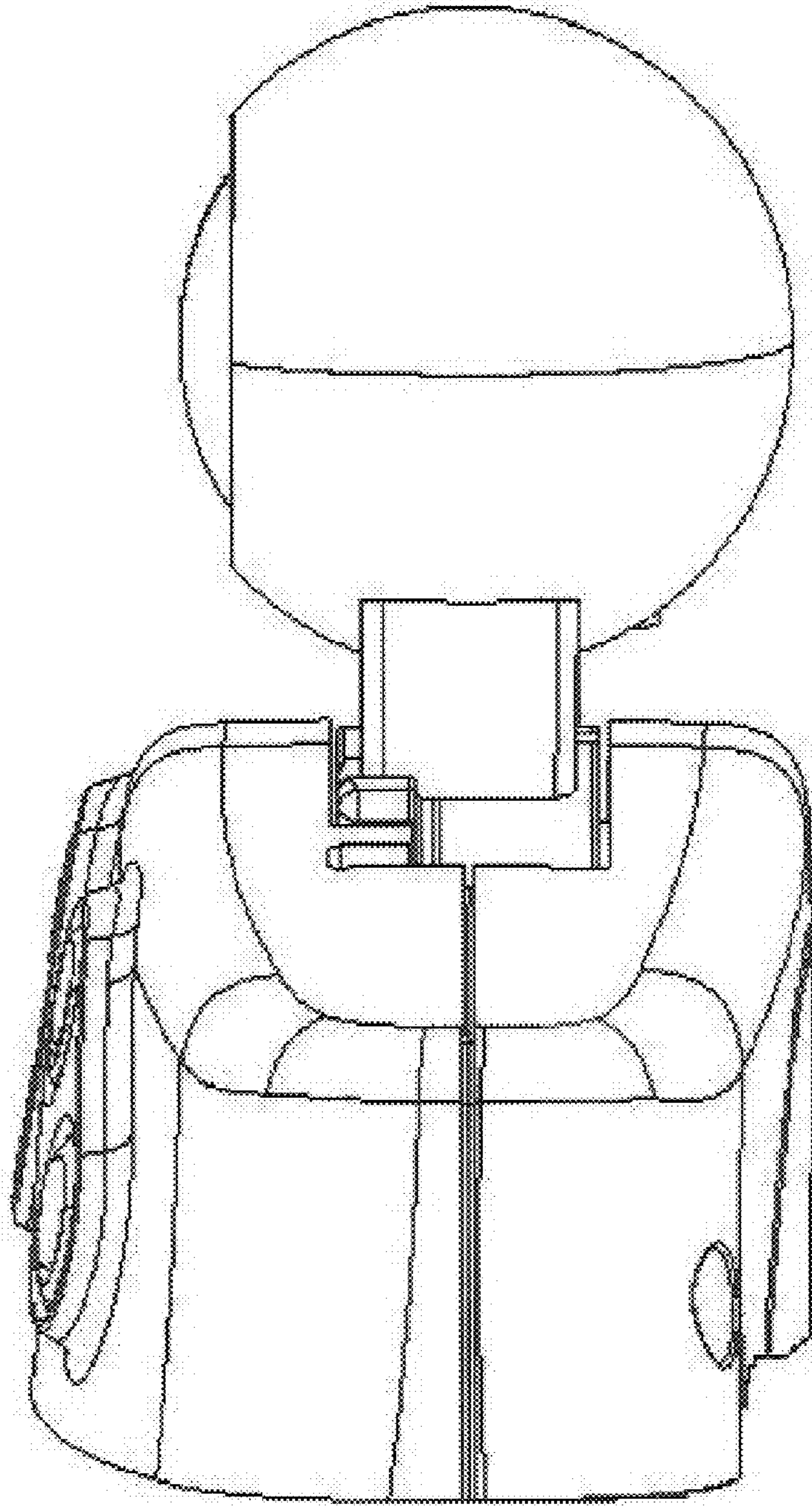


FIG. 7