



US00D653996S

(12) **United States Design Patent**
Webster

(10) **Patent No.:** **US D653,996 S**

(45) **Date of Patent:** **** Feb. 14, 2012**

(54) **ADULT TRICYCLE**

(76) **Inventor:** **Gary P. Webster**, West Springfield, MA
(US)

(**) **Term:** **14 Years**

(21) **Appl. No.:** **29/370,473**

(22) **Filed:** **Jul. 22, 2010**

(51) **LOC (9) Cl.** **12-11**

(52) **U.S. Cl.** **D12/112**

(58) **Field of Classification Search** D12/112,
D12/111; 280/259, 288.1, 282, 260, 261,
280/263, 265-271; 446/440; D21/432, 435
See application file for complete search history.

(56) **References Cited**

U.S. PATENT DOCUMENTS

D338,433 S	8/1993	Crooks, Sr.	
D425,827 S	5/2000	Robinson	
D493,391 S *	7/2004	Gunter	D12/112
D498,709 S *	11/2004	Sramek	D12/112
D516,962 S *	3/2006	Oosterveer	D12/112
D518,417 S *	4/2006	Oosterveer	D12/112

7,552,934 B2 * 6/2009 Lee et al. 280/266
D608,250 S * 1/2010 Van De Vrie D12/112

* cited by examiner

Primary Examiner — Susan M Lee

Assistant Examiner — Linda G. Brooks

(57) **CLAIM**

The ornamental design for an adult tricycle, as shown and described.

DESCRIPTION

FIG. 1 is a perspective view showing my new design for an adult tricycle.

FIG. 2 is a right side elevational view thereof, the left side elevational view being substantially a mirror image thereof, the only difference being the position of the pedals.

FIG. 3 is a front elevational view thereof.

FIG. 4 is a rear elevational view thereof.

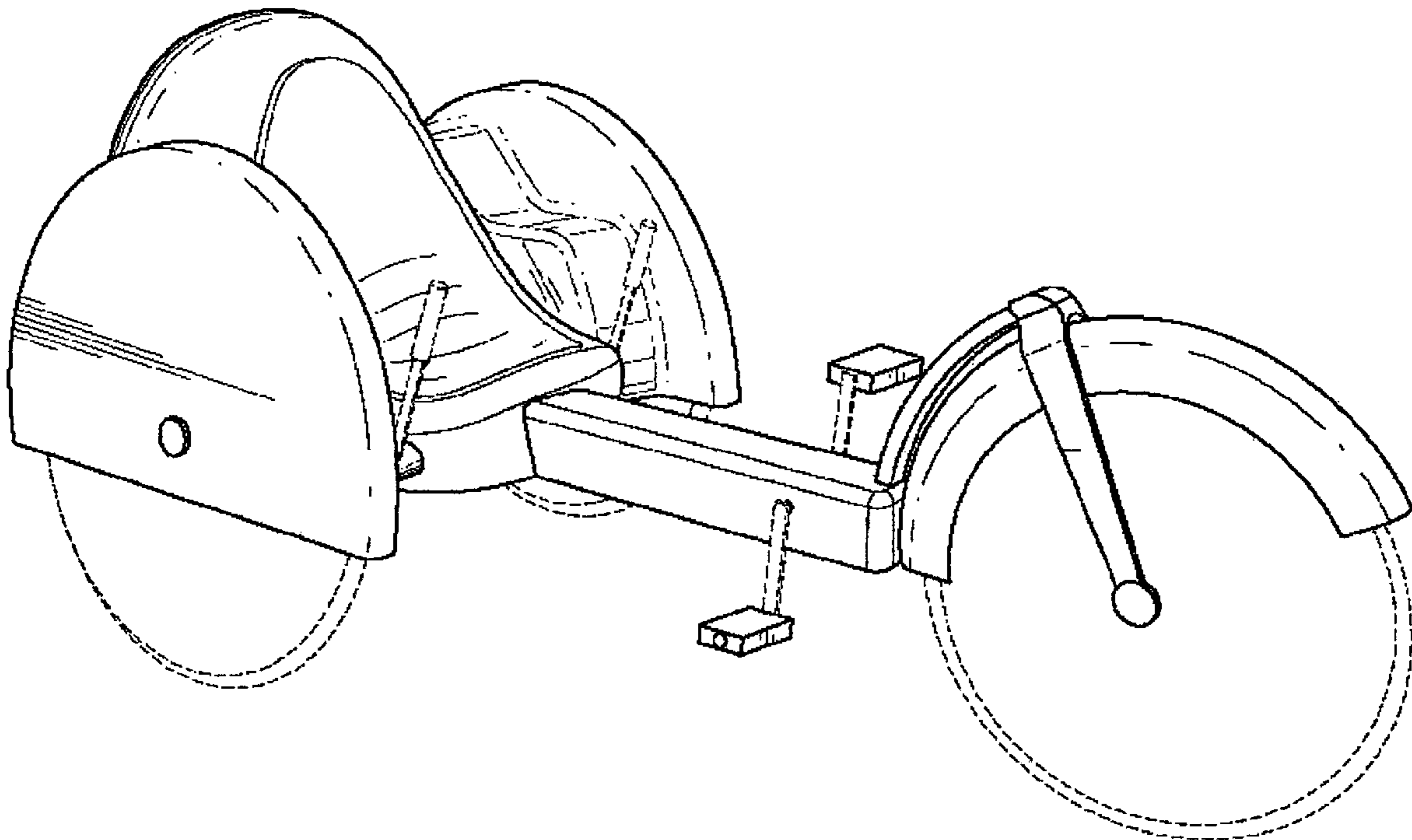
FIG. 5 is a top plan view thereof.

FIG. 6 is a bottom plan view thereof; and,

FIG. 7 is a detail perspective view thereof.

The portions of the adult tricycle shown in broken lines form no part of the claimed design.

1 Claim, 7 Drawing Sheets



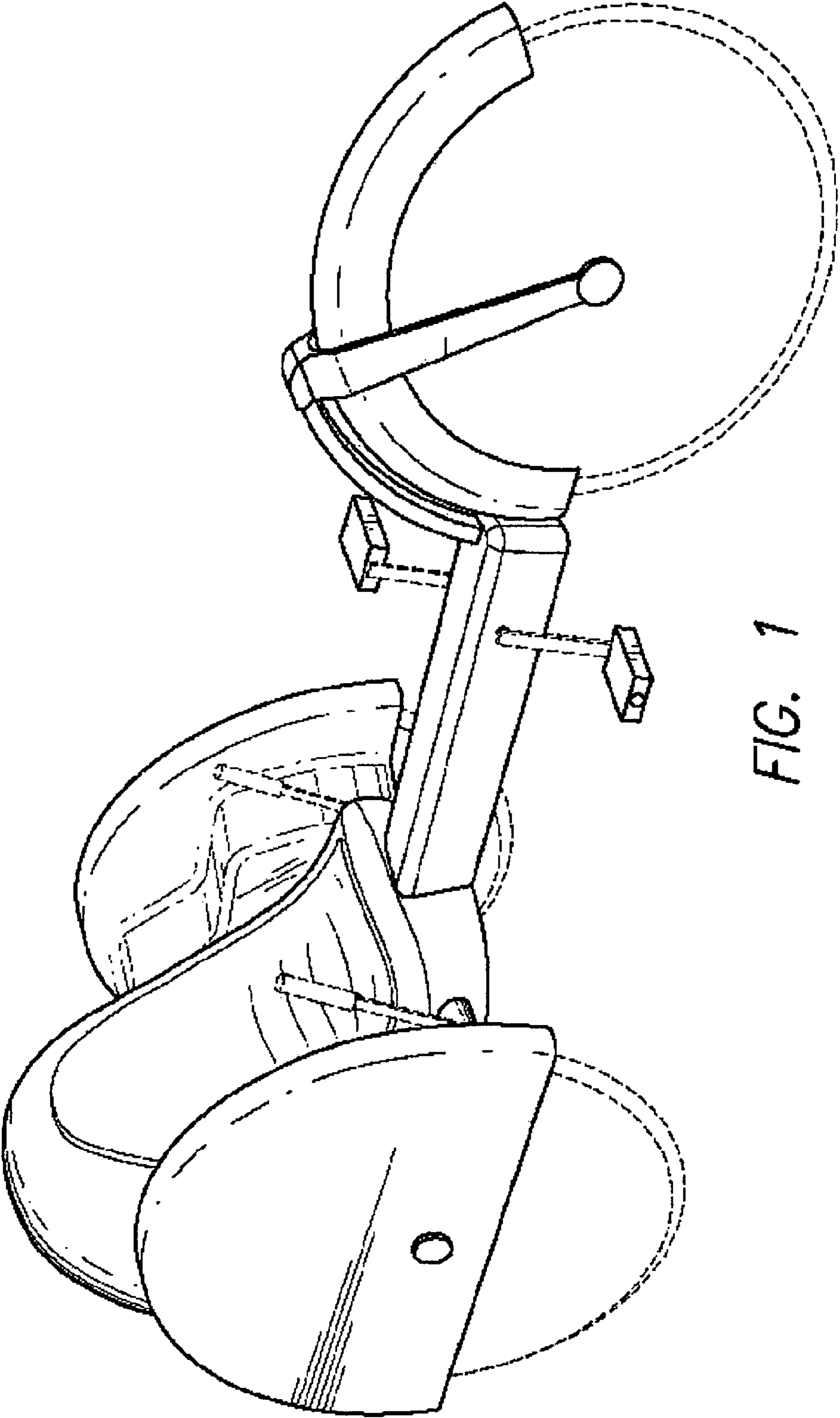


FIG. 1

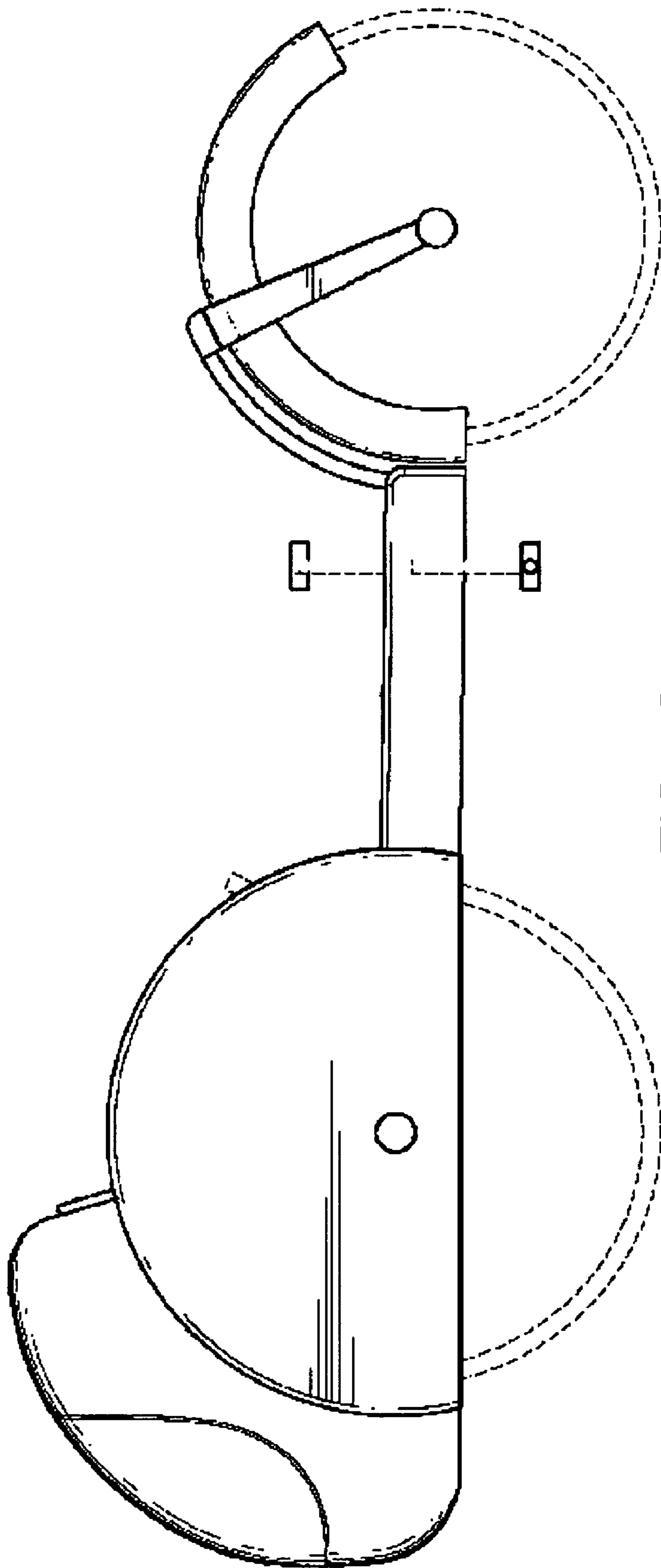


FIG. 2

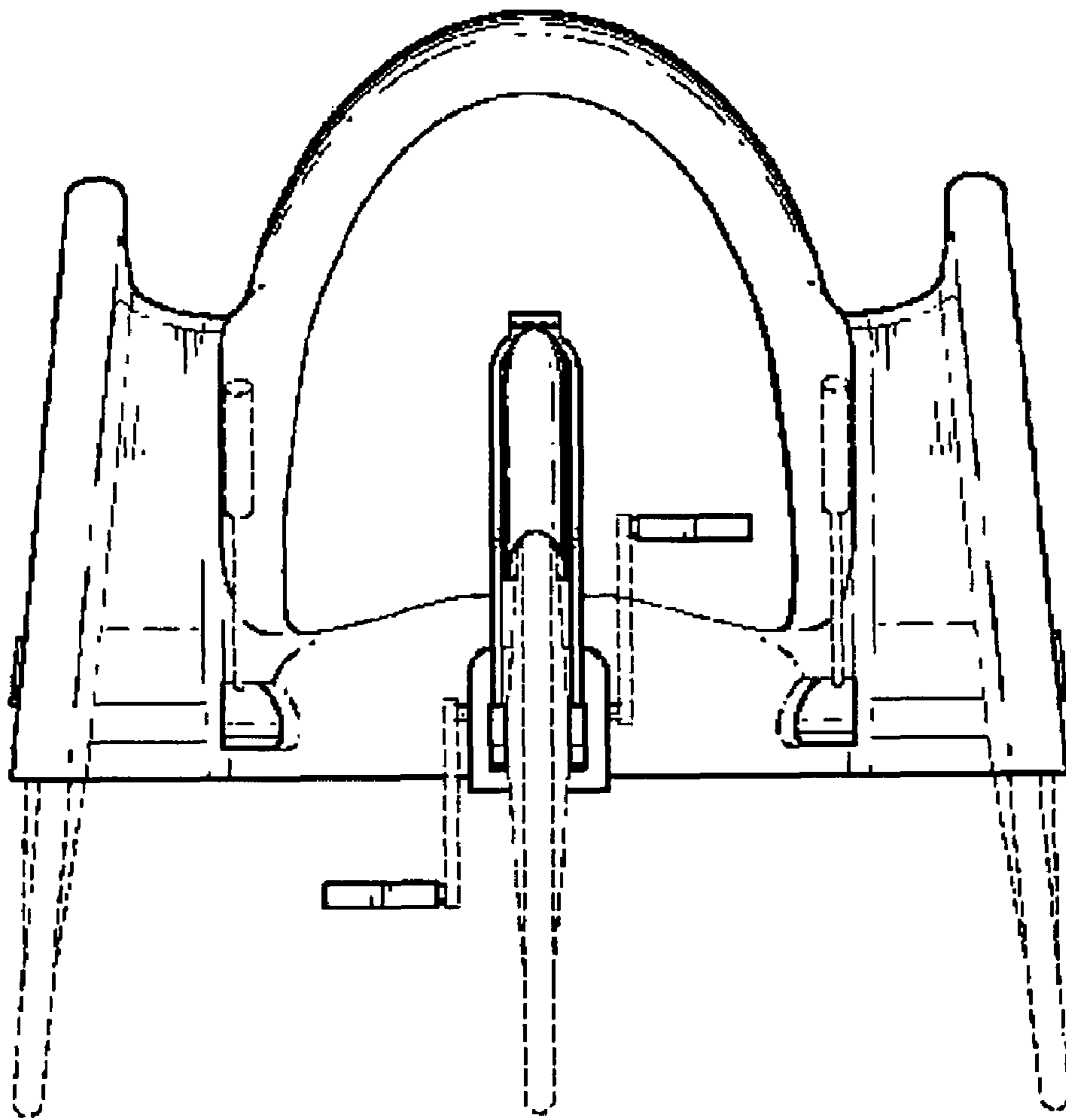


FIG. 3

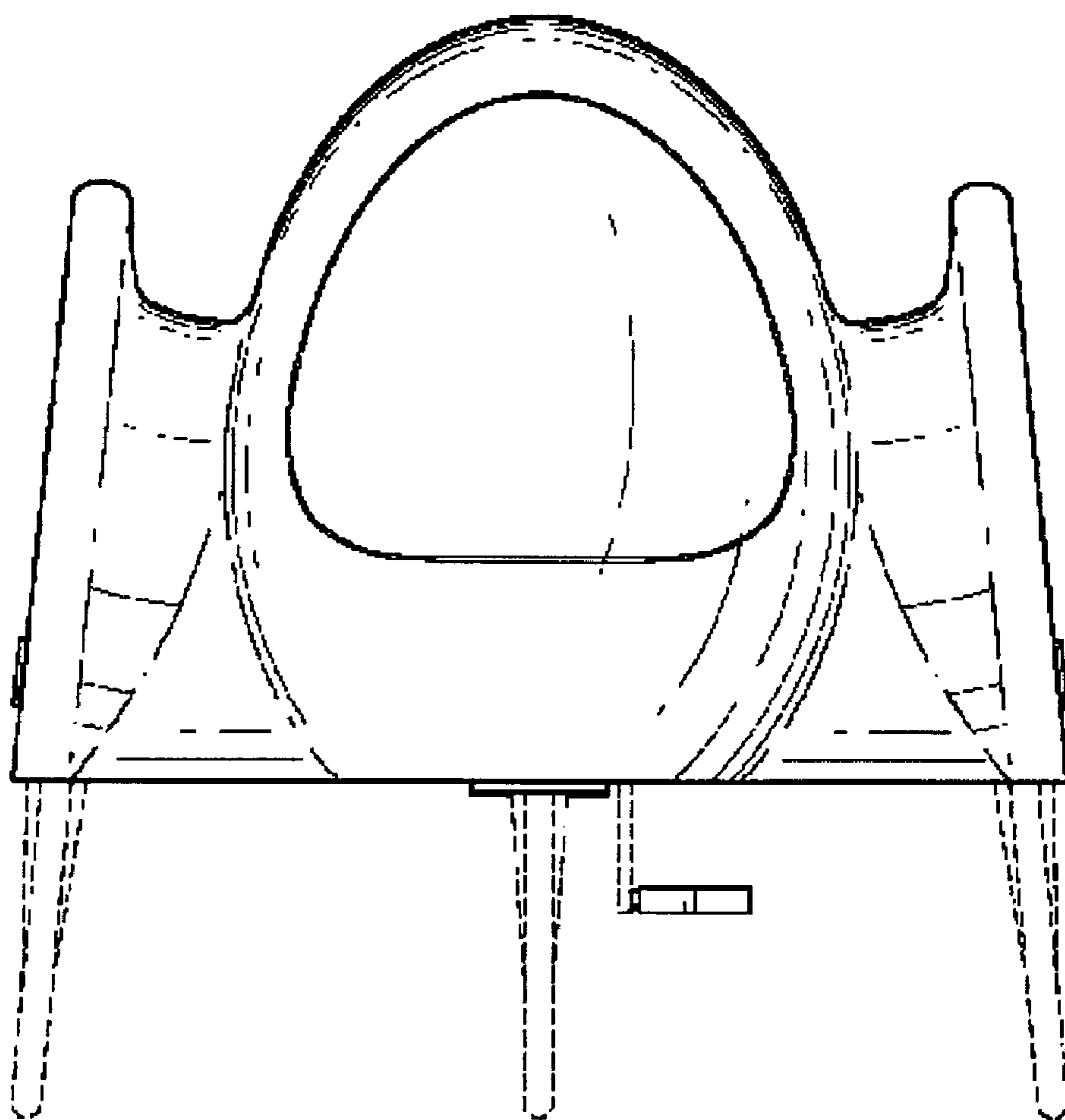


FIG. 4

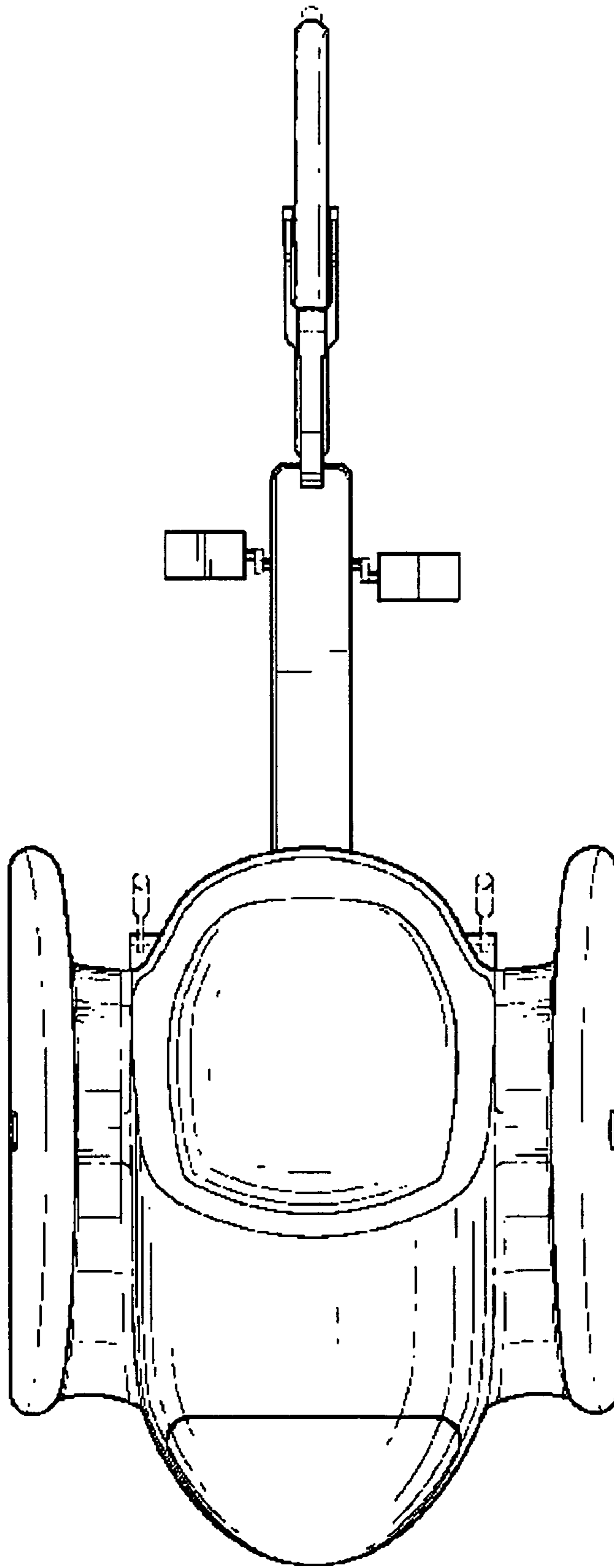


FIG. 5

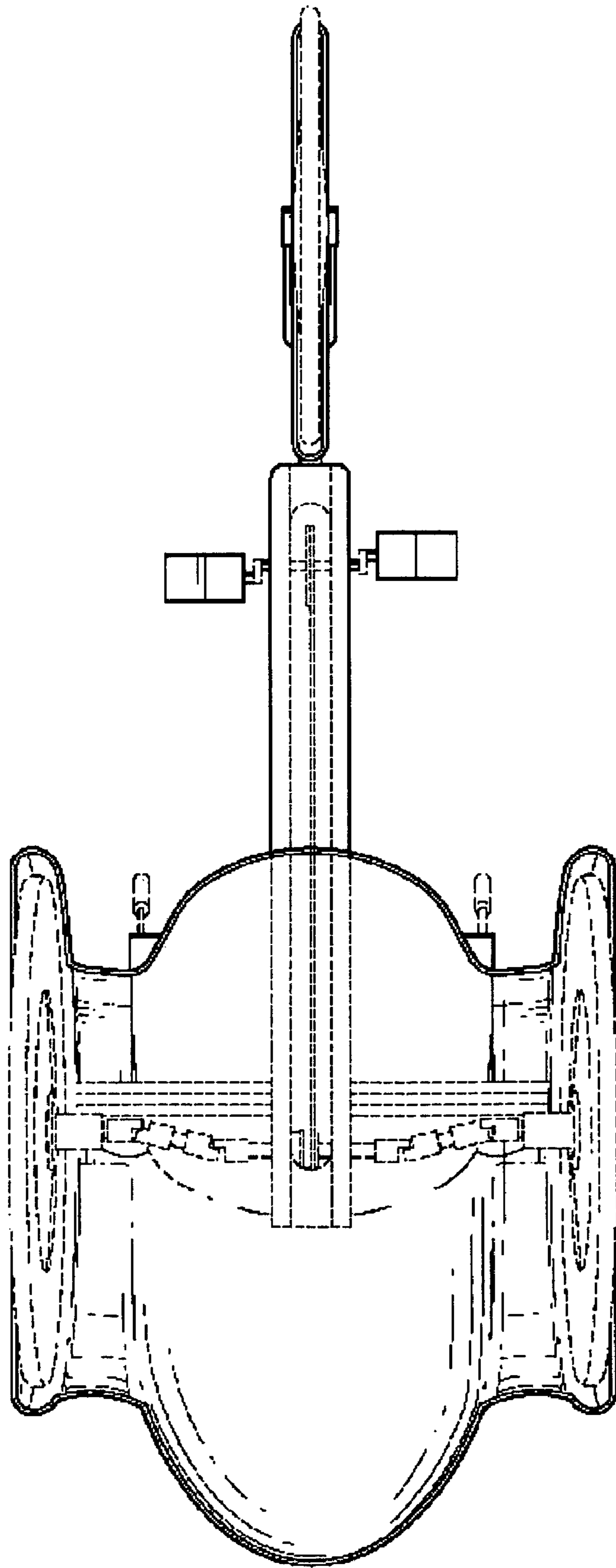


FIG. 6

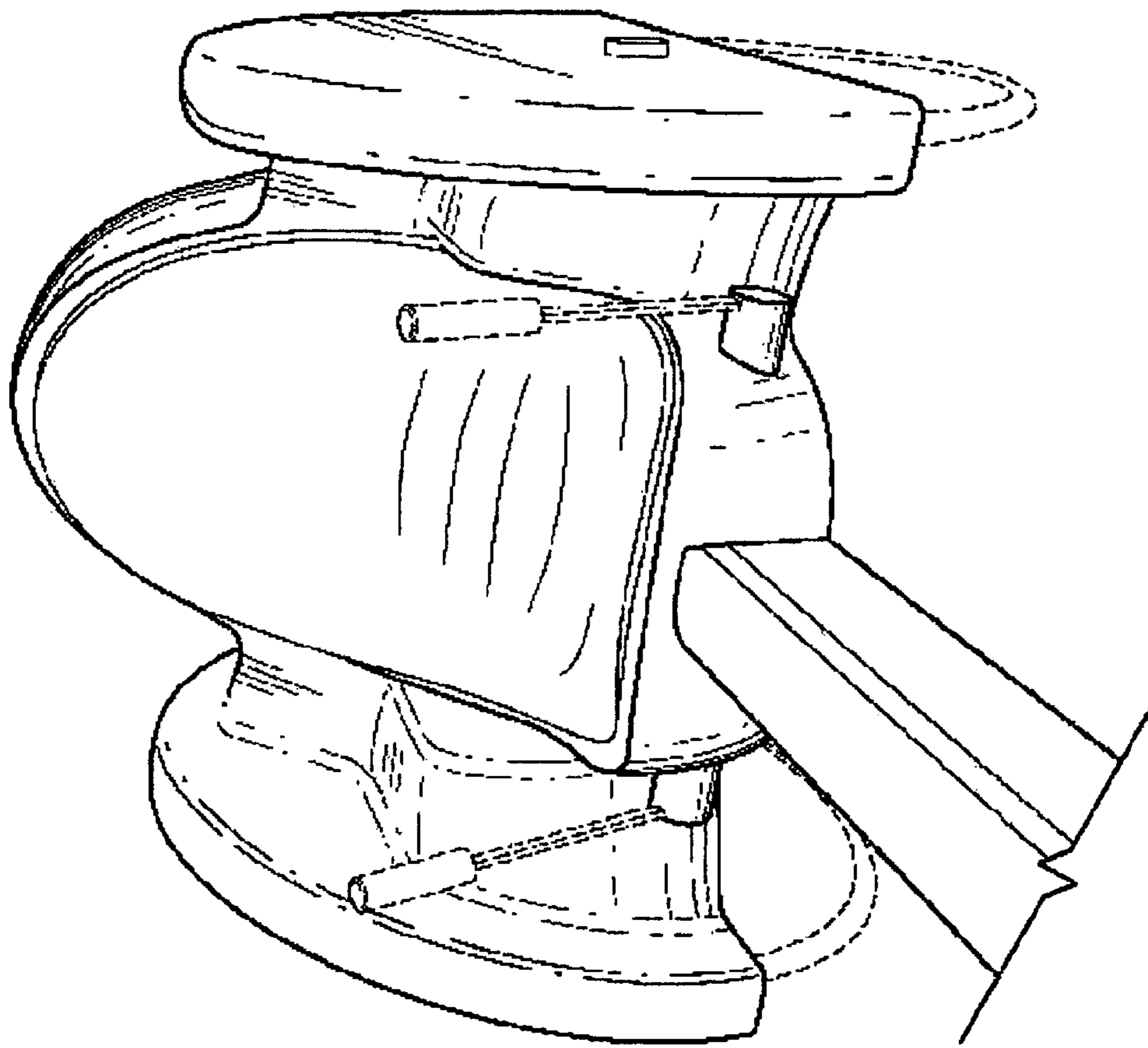


FIG. 7