



US00D653990S

(12) **United States Design Patent**
Cherry

(10) **Patent No.:** **US D653,990 S**

(45) **Date of Patent:** **** Feb. 14, 2012**

(54) **PET SHIELD FOR POTTED PLANT**

(76) **Inventor:** **Cleopatrick Cherry**, Montgomery, AL
(US)

(**) **Term:** **14 Years**

(21) **Appl. No.:** **29/398,858**

(22) **Filed:** **Aug. 5, 2011**

(51) **LOC (9) Cl.** **11-02**

(52) **U.S. Cl.** **D11/164; D30/199**

(58) **Field of Classification Search** D6/403-405,
D6/556-558; D8/1; D11/143-156, 164;
D19/77, 80, 81, 84; D25/100; D26/9-11,
D26/16, 19; D30/199; D34/1, 2, 4-6; D99/5,
D99/19; 47/17, 32.4, 32.5, 32.7, 33.39, 41.01,
47/41.1, 41.11-41.15, 44-47, 63, 65.5, 65.9,
47/66.1, 66.2, 66.6, 66.7, 67-71

See application file for complete search history.

D393,188 S *	4/1998	Beiersdoerfer	D8/1
D409,948 S	5/1999	Almeida		
5,918,411 A	7/1999	Hadrava		
D437,194 S *	2/2001	Rivas et al.	D8/1
D440,833 S *	4/2001	Tanner	D8/1
D446,749 S *	8/2001	Graves	D11/147
7,013,597 B1	3/2006	Dominguez		
D526,595 S *	8/2006	Taddeo et al.	D11/147
D552,308 S *	10/2007	Farr	D30/199
7,448,162 B2 *	11/2008	Paternostre et al.	47/47
D591,641 S *	5/2009	Mazzota	D11/164
D635,890 S *	4/2011	Sutton-Russo	D11/164

* cited by examiner

Primary Examiner — Garth Rademaker

(74) *Attorney, Agent, or Firm* — Montgomery Patent & Design, LLC; Robert C. Montgomery; Joseph T. Yaksich

(57) **CLAIM**

The ornamental design for a pet shield for potted plant, as shown and described.

DESCRIPTION

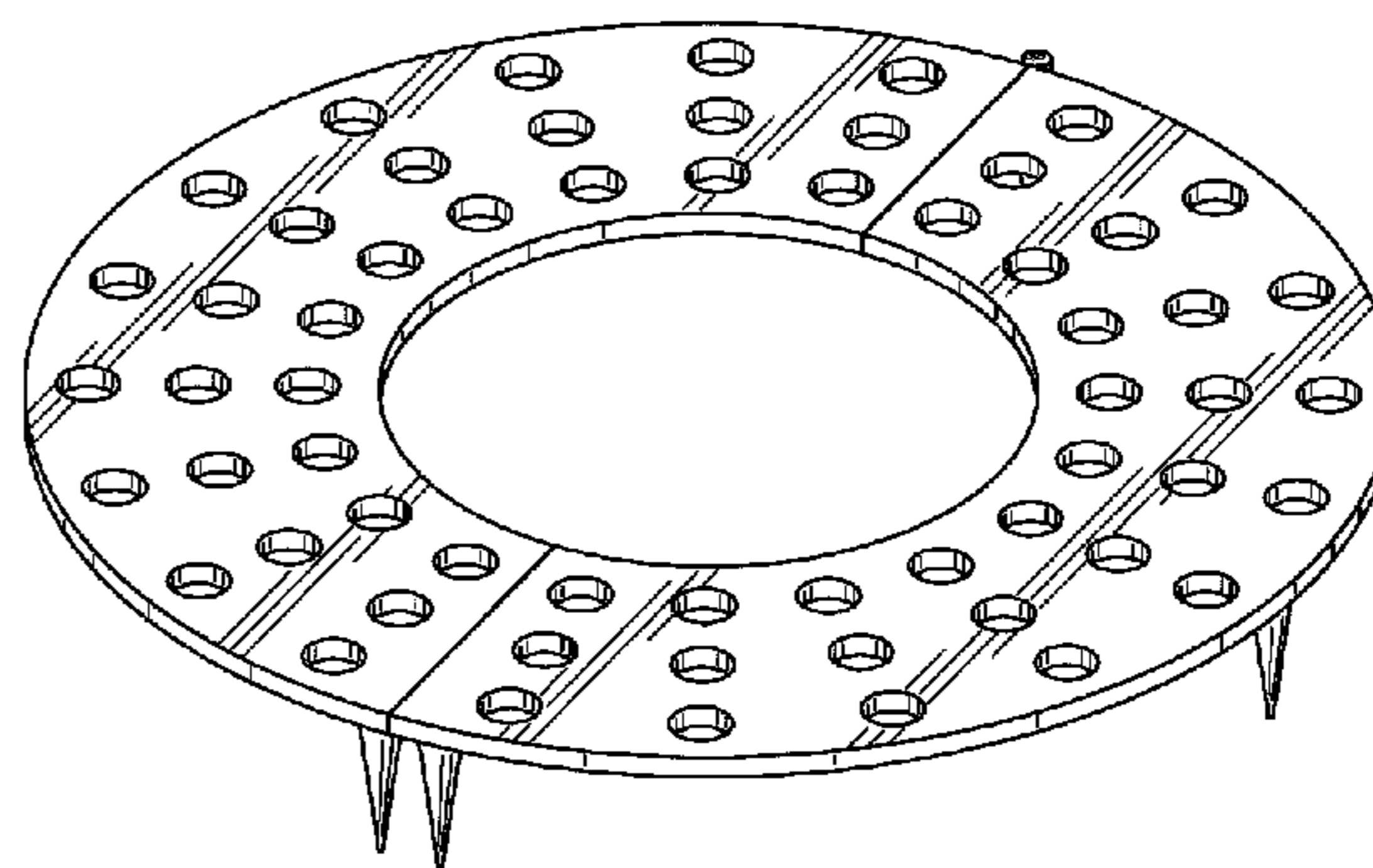
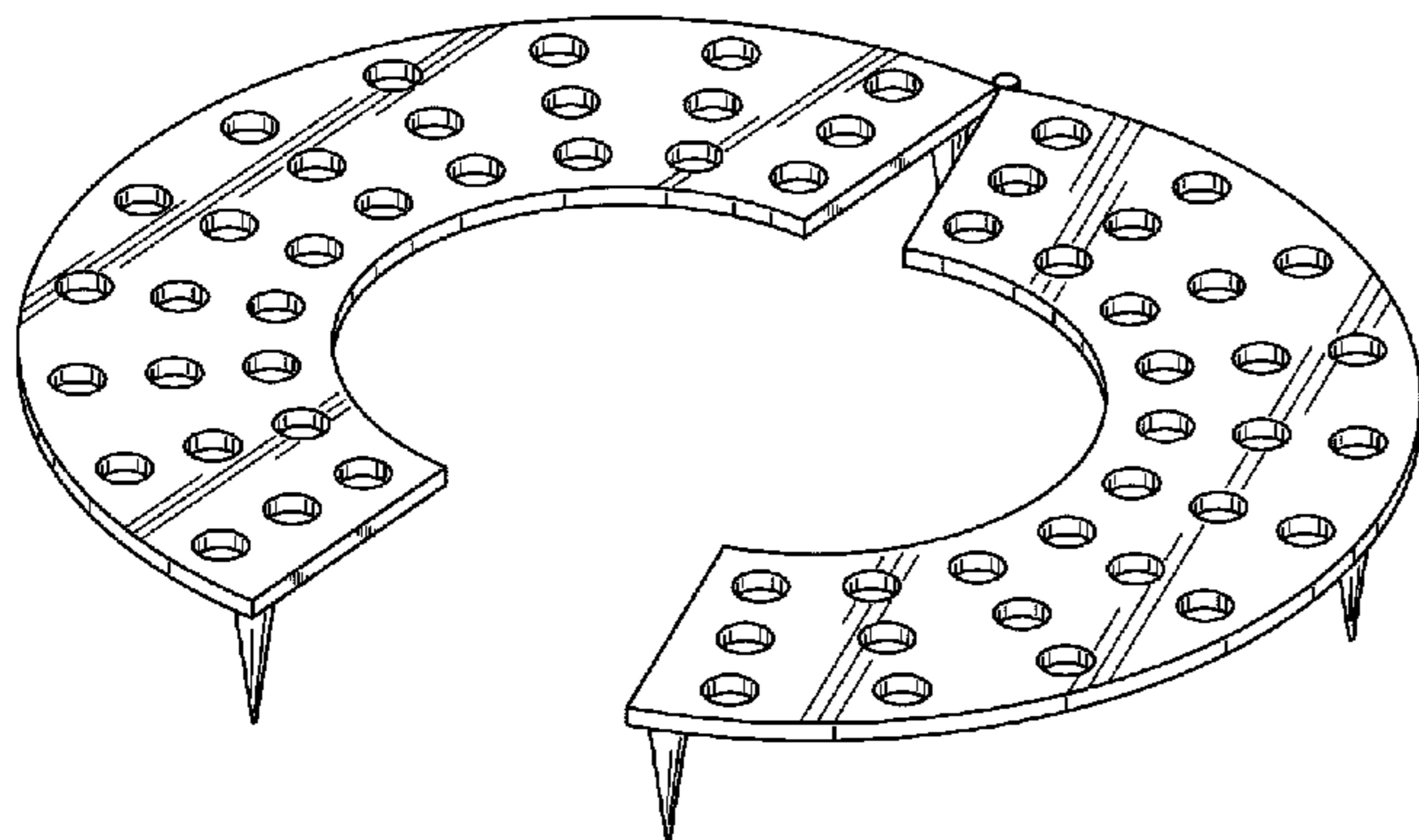
FIG. 1 is a perspective view of a pet shield for potted plant depicted in a partially open state, showing my new design; FIG. 2 is a perspective view of the pet shield for potted plant depicted in a closed state; FIG. 3 is a front view thereof; FIG. 4 is a rear view thereof; FIG. 5 is a left side view thereof, the right side view being a mirror image thereof; FIG. 6 is a top view thereof; and, FIG. 7 is a bottom view thereof.

1 Claim, 6 Drawing Sheets

(56) **References Cited**

U.S. PATENT DOCUMENTS

915,897 A	3/1909	Skorness		
1,931,602 A	10/1933	Colman		
3,618,260 A	11/1971	Convey, Jr. et al.		
3,940,884 A	3/1976	Mason, Jr.		
4,226,048 A	10/1980	Molnar		
4,395,845 A	8/1983	Markowitz		
4,403,443 A	9/1983	Valente		
D291,049 S *	7/1987	Haggard	D8/1
4,712,329 A	12/1987	Anderson et al.		
5,325,627 A	7/1994	Anderson		
5,425,204 A	6/1995	Holmes et al.		
D369,123 S *	4/1996	D'Alessandro	D11/148



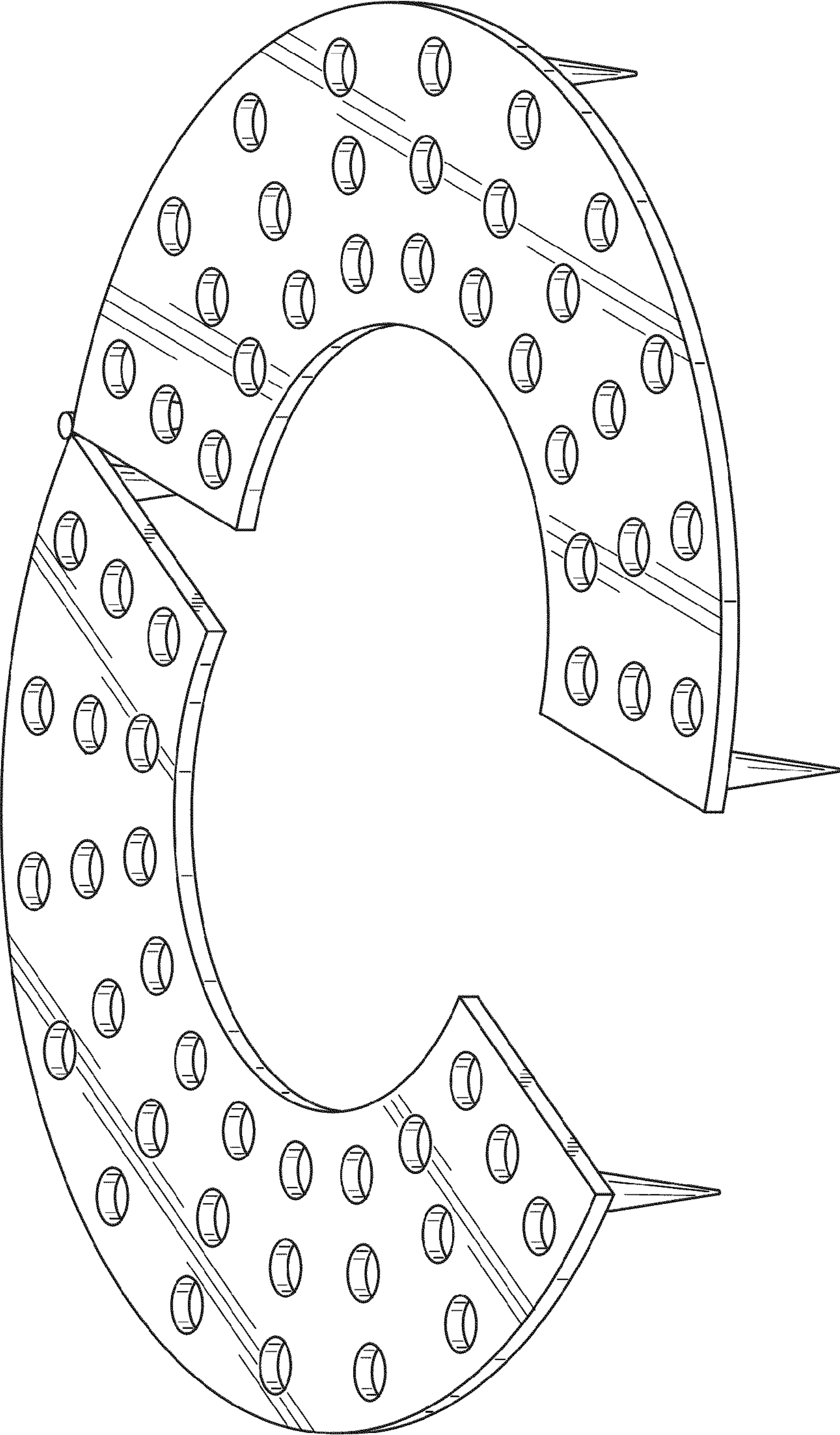


Fig. 1

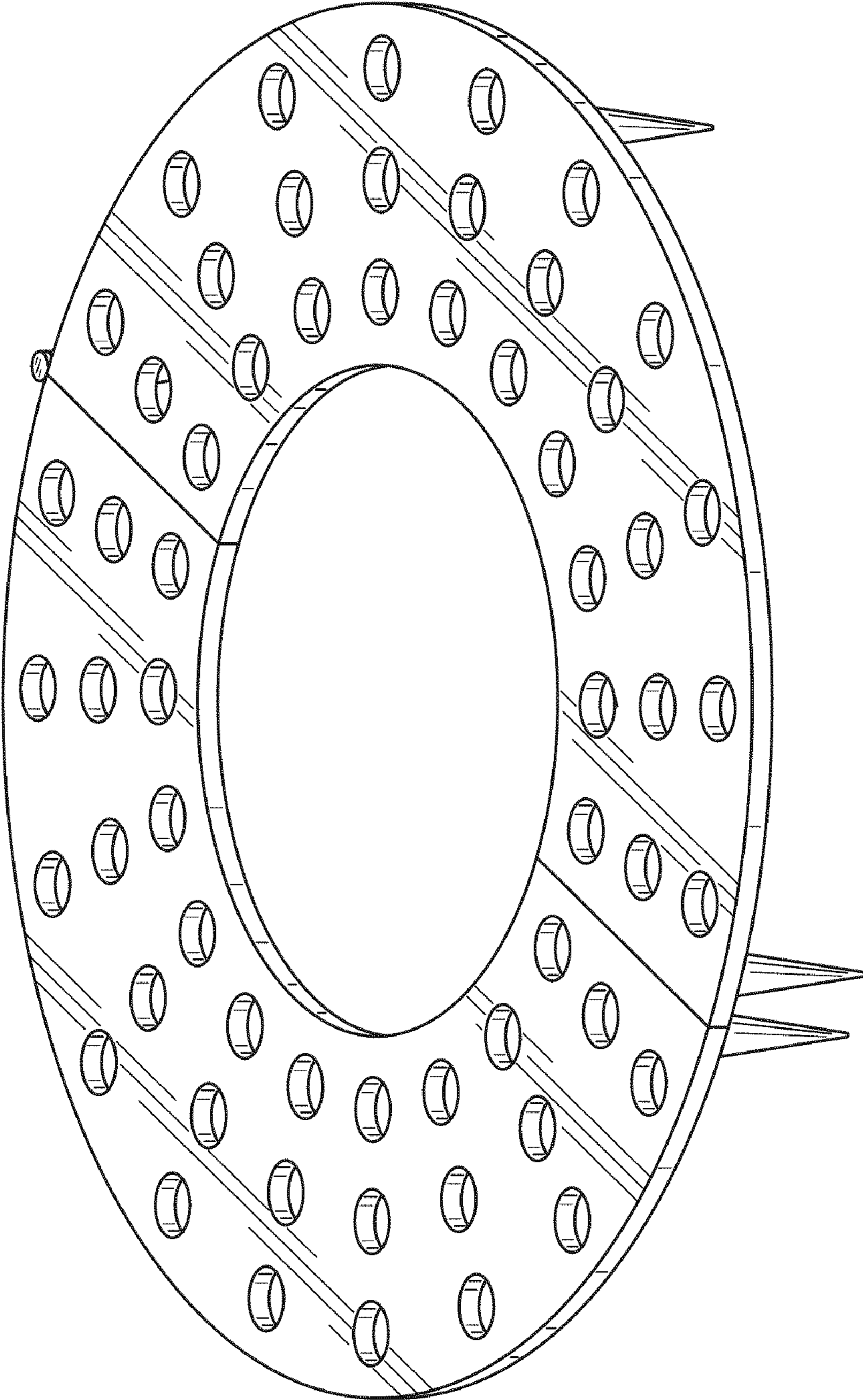


Fig. 2

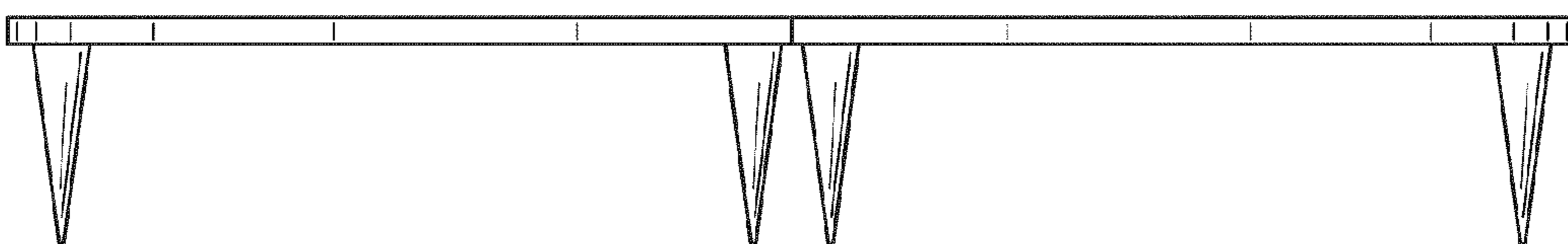


Fig. 3

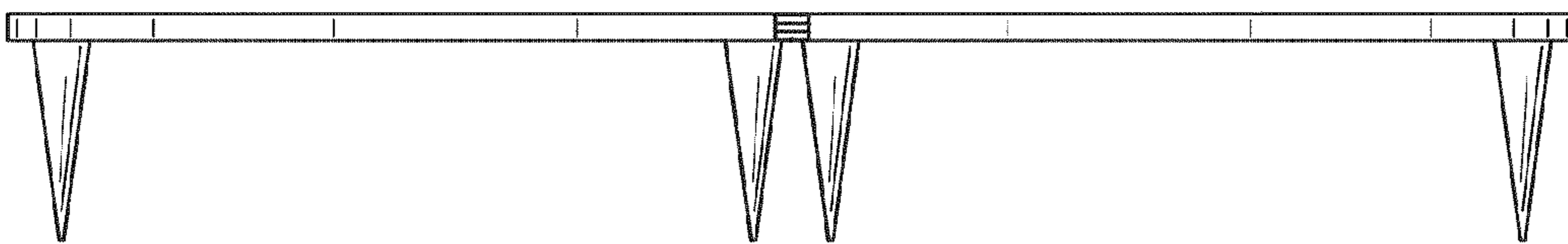


Fig. 4

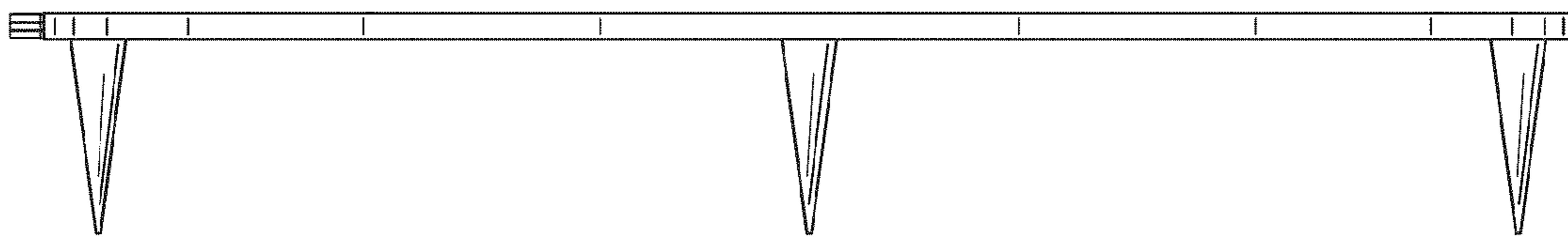


Fig. 5

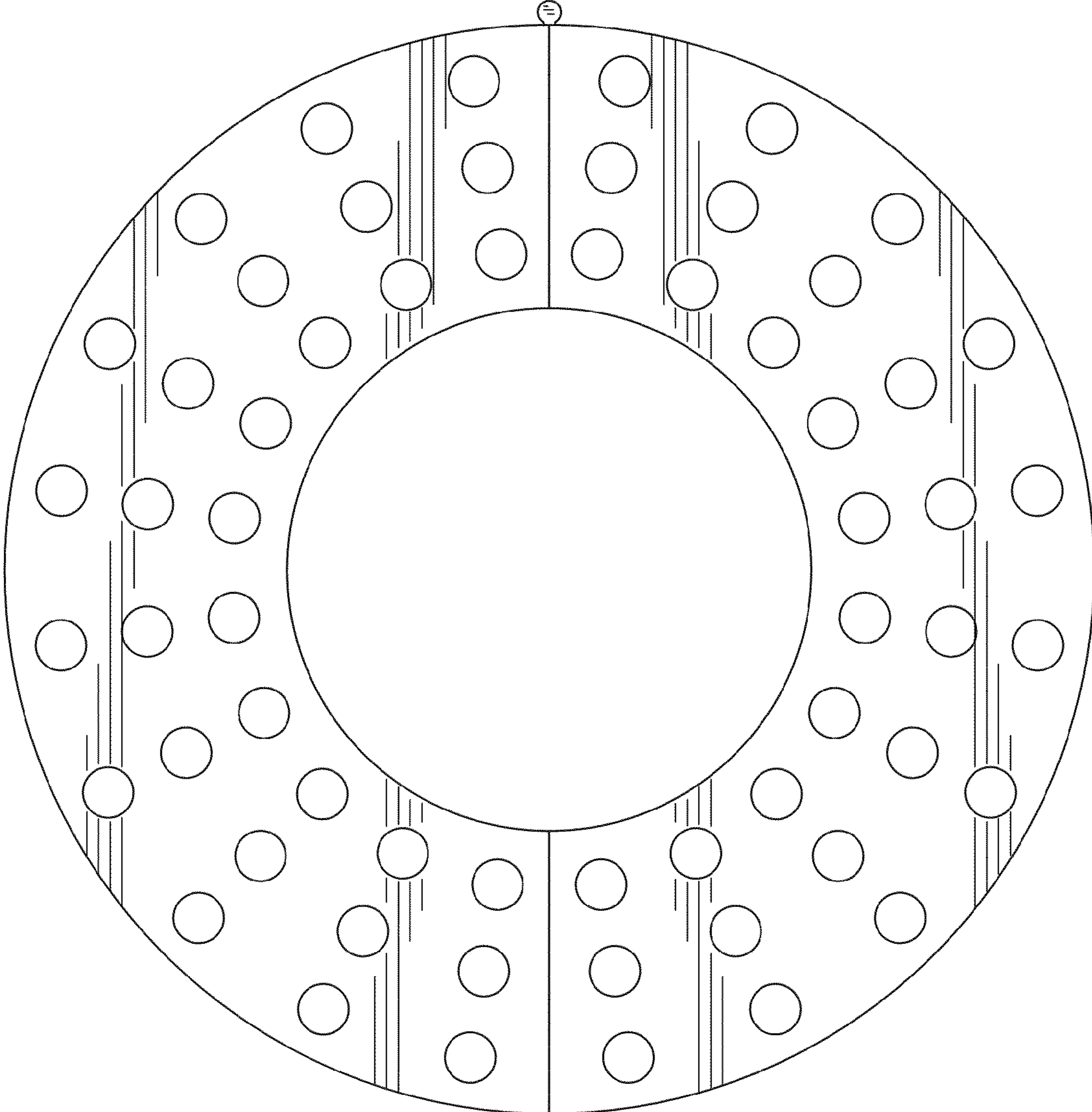


Fig. 6

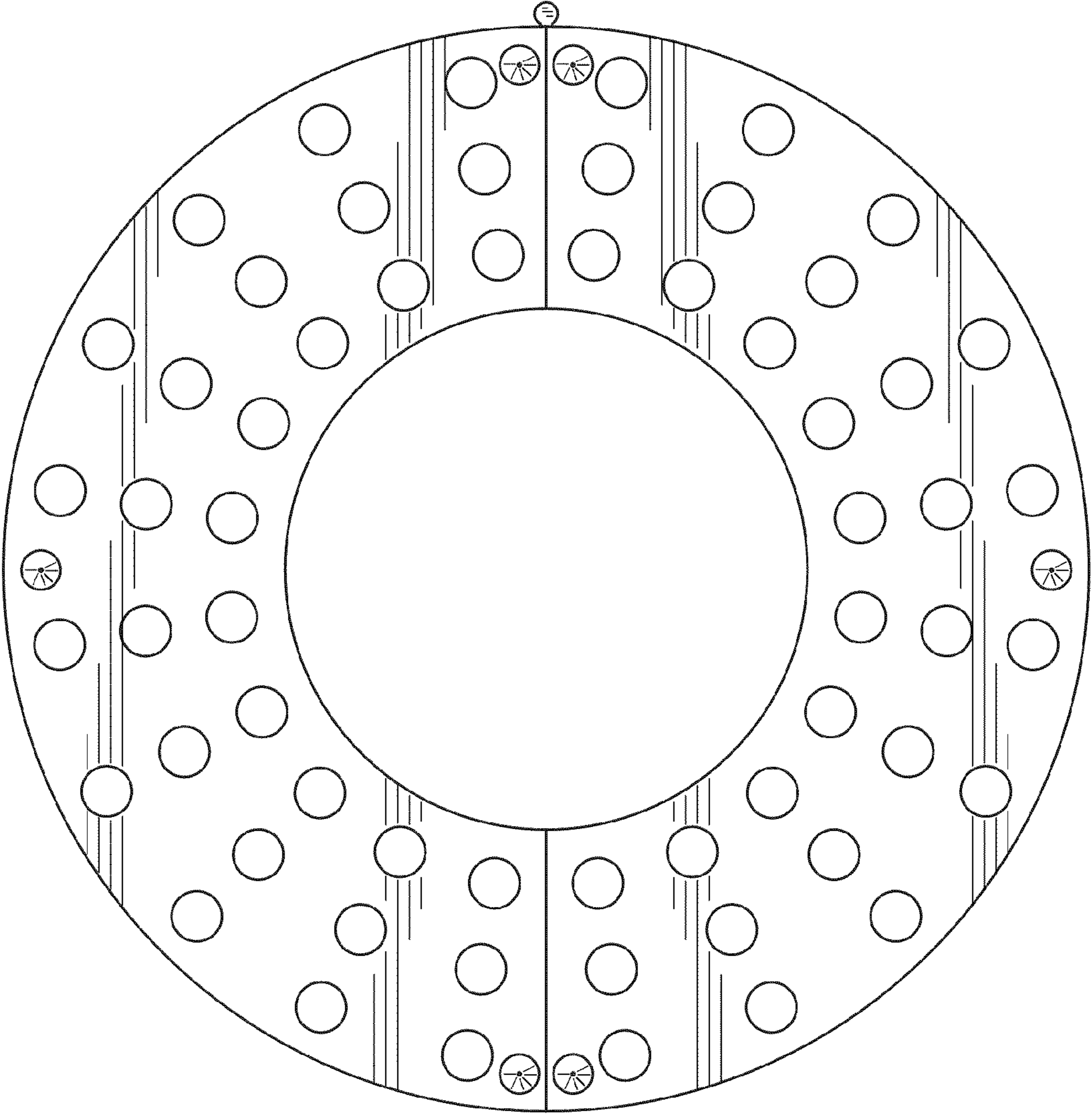


Fig. 7