



US00D653988S

(12) **United States Design Patent**  
**Hayden et al.**

(10) **Patent No.:** **US D653,988 S**

(45) **Date of Patent:** **\*\* Feb. 14, 2012**

(54) **CROSS**

(76) Inventors: **Michael J. Hayden**, Brookfield, WI (US); **Jeffrey A. Keinert**, Brookfield, WI (US)

(\*\*) Term: **14 Years**

(21) Appl. No.: **29/360,288**

(22) Filed: **Apr. 22, 2010**

**Related U.S. Application Data**

(63) Continuation-in-part of application No. 29/342,752, filed on Aug. 31, 2009, now Pat. No. Des. 615,449.

(51) **LOC (9) Cl.** ..... **11-03**

(52) **U.S. Cl.** ..... **D11/96**

(58) **Field of Classification Search** ..... D11/79, D11/80, 81, 82, 83, 84, 85, 89, 90, 95-105, D11/108, 109, 115, 116, 131, 132, 133, 140, D11/141, 157, 159, 164, 184, 121; 63/1.11, 63/1.12, 1.13, 1.14, 1.16, 1.18, 13, 14.1, 63/35, 38, 39, 3.1, 20, 23, 33, 40, 42; D99/25, D99/26, 27

See application file for complete search history.

(56) **References Cited**

**U.S. PATENT DOCUMENTS**

D18,590 S	9/1888	Stachowski
D24,162 S	4/1895	Patterson
D46,571 S	10/1914	Mix
1,112,640 A	10/1914	Mix

(Continued)

**OTHER PUBLICATIONS**

Notice of Allowance for U.S. Appl. No. 29/342,752, dated Jan. 4, 2010, 6 pages.

*Primary Examiner* — T. Chase Nelson

*Assistant Examiner* — Ania Aman

(74) *Attorney, Agent, or Firm* — Foley & Lardner LLP

(57) **CLAIM**

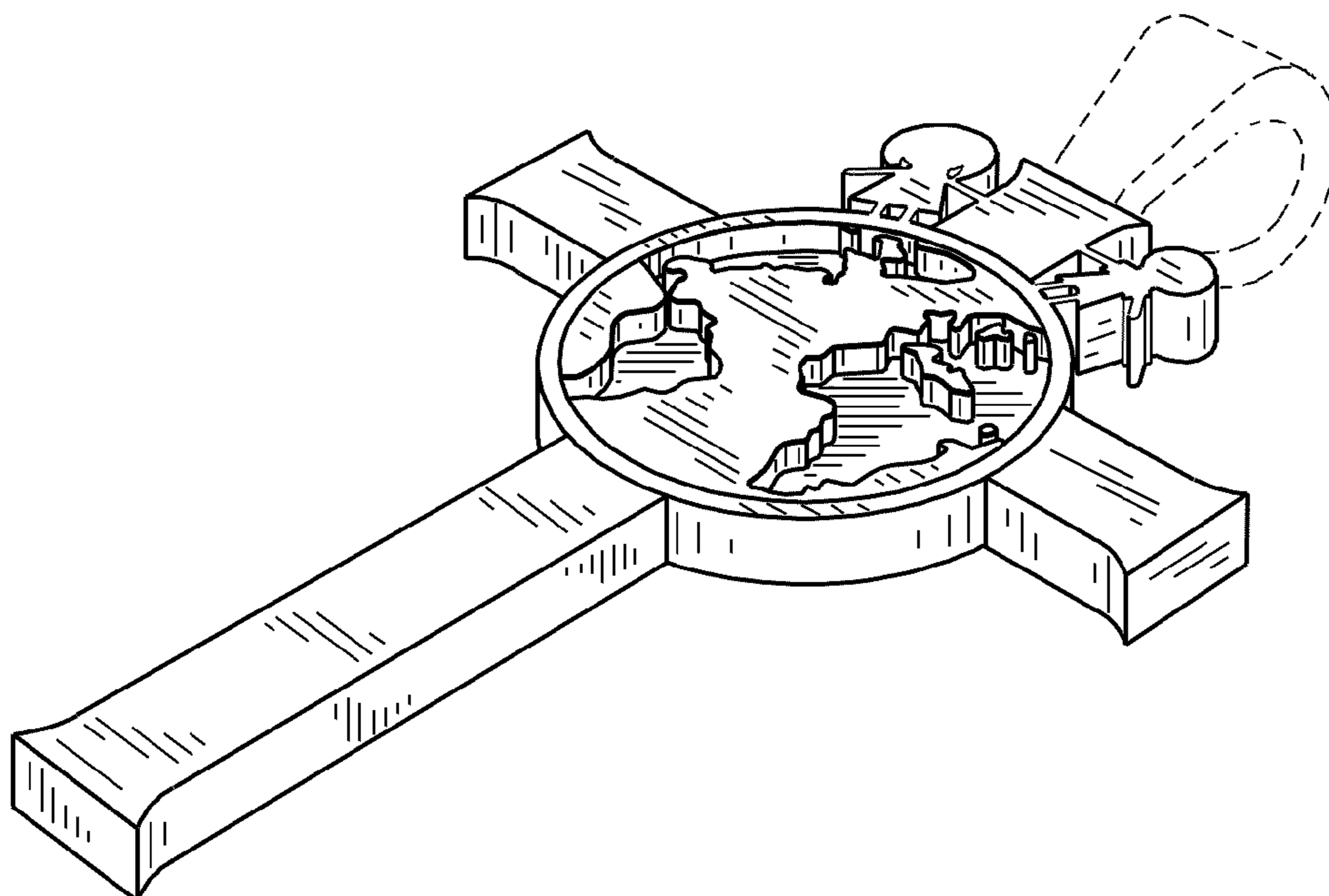
I claim the ornamental design for a cross, as shown and described.

**DESCRIPTION**

FIG. 1 is a front perspective view from above of a first embodiment of the claimed design;  
 FIG. 2 is a front view of the claimed design of FIG. 1;  
 FIG. 3 is a top view of the claimed design of FIG. 1;  
 FIG. 4 is a bottom view of the claimed design of FIG. 1;  
 FIG. 5 is a right side view of the claimed design of FIG. 1;  
 FIG. 6 is a left side view of the claimed design of FIG. 1;  
 FIG. 7 is a rear view of the claimed design of FIG. 1;  
 FIG. 8 is a front perspective view from above of a second embodiment of the claimed design;  
 FIG. 9 is a front view of the claimed design of FIG. 8;  
 FIG. 10 is a top view of the claimed design of FIG. 8;  
 FIG. 11 is a bottom view of the claimed design of FIG. 8;  
 FIG. 12 is a right side view of the claimed design of FIG. 8;  
 FIG. 13 is a left side view of the claimed design of FIG. 8; and,  
 FIG. 14 is a rear view of the claimed design of FIG. 8.

Any broken lines in the drawings are for illustrative purposes only and form no part of the claimed design.

**1 Claim, 8 Drawing Sheets**



# US D653,988 S

Page 2

---

## U.S. PATENT DOCUMENTS

D48,758 S 3/1916 Patterson  
D86,292 S 2/1932 White  
D115,252 S 6/1939 Kemsley  
D116,859 S 9/1939 McDonald  
D119,993 S 4/1940 Brandt et al.  
D186,946 S 12/1959 Schuessler  
D192,093 S 1/1962 Schneider  
D237,723 S 11/1975 Sweet et al.  
D255,279 S 6/1980 Graves  
D257,069 S 9/1980 Wozniski

D289,980 S \* 5/1987 Bowie ..... D10/6  
D355,144 S 2/1995 Cord  
D373,970 S 9/1996 Gonzalez et al.  
D401,883 S 12/1998 Madhvani  
D455,672 S 4/2002 Knezevich  
D465,432 S 11/2002 Menmi  
D506,945 S \* 7/2005 Guthrie, III ..... D11/79  
D506,948 S 7/2005 Gehrke  
D580,815 S \* 11/2008 Powell ..... D11/96  
D638,741 S \* 5/2011 Barbalace ..... D11/96  
\* cited by examiner

FIG. 1

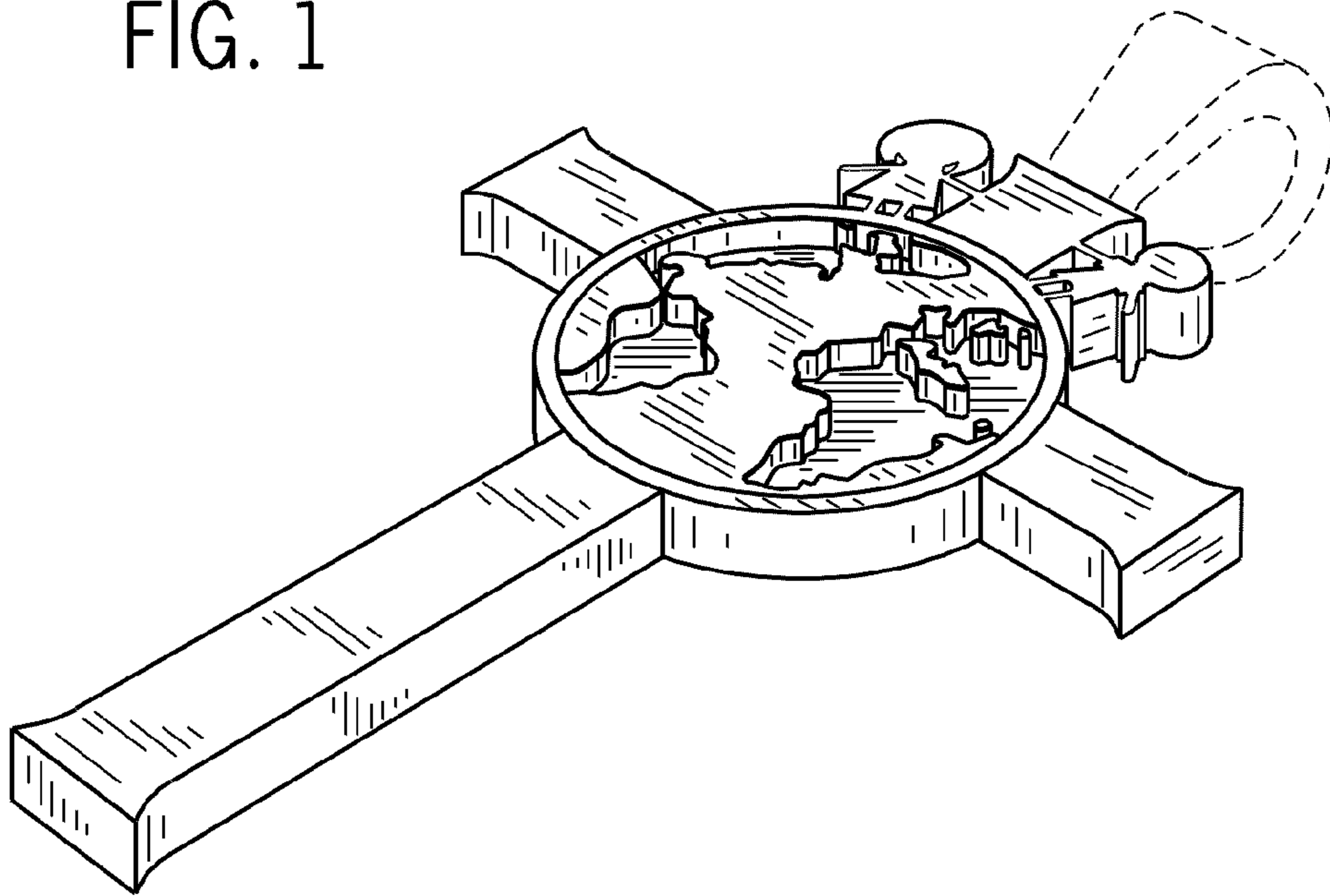


FIG. 3

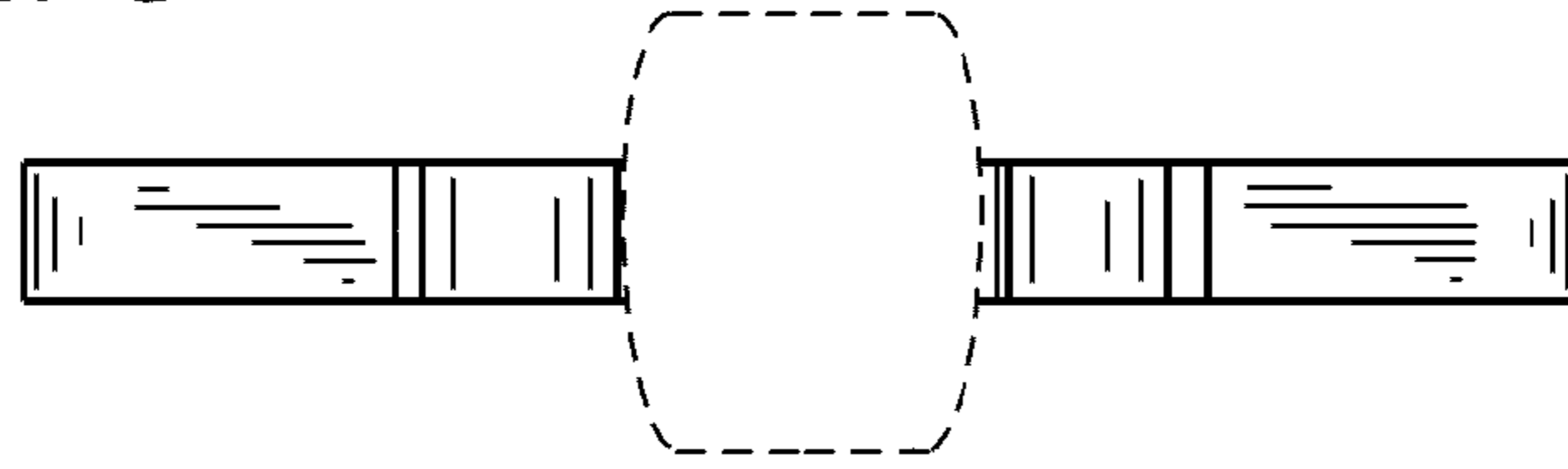


FIG. 2

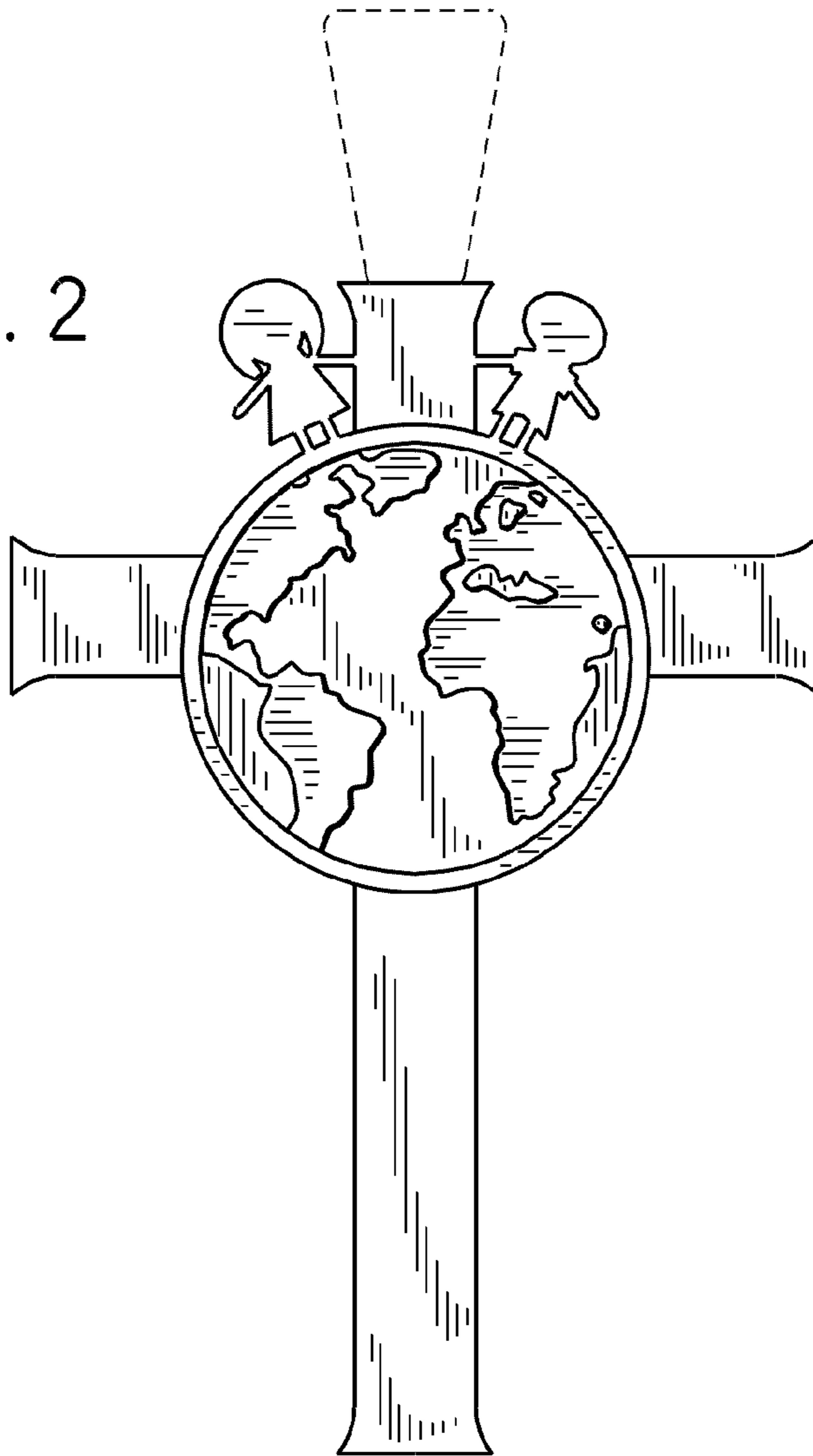
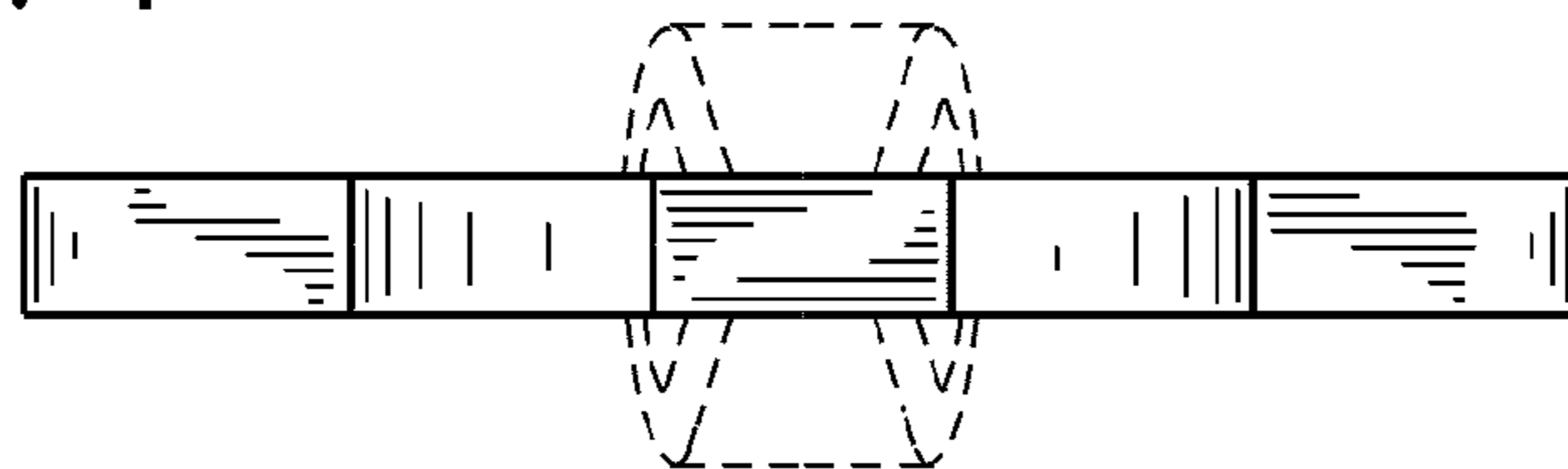


FIG. 4



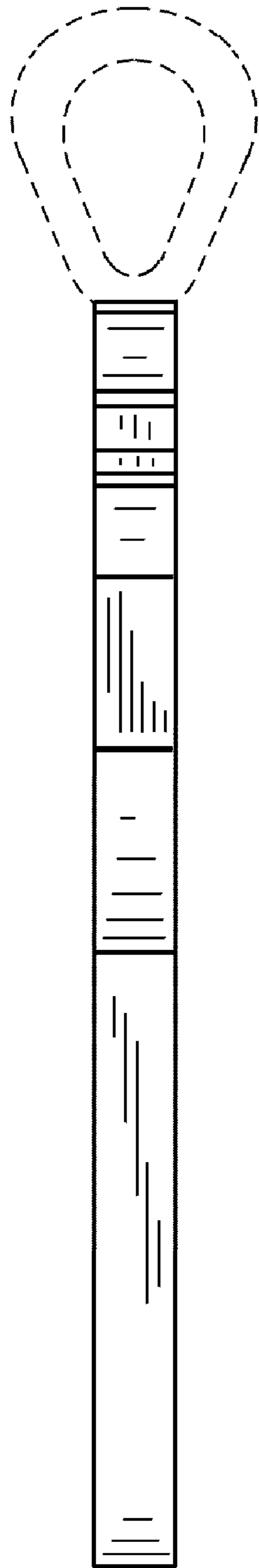


FIG. 5

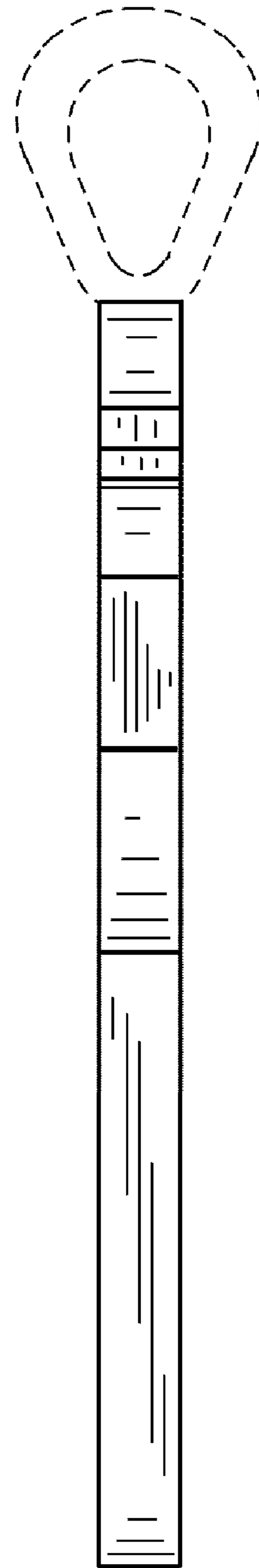


FIG. 6

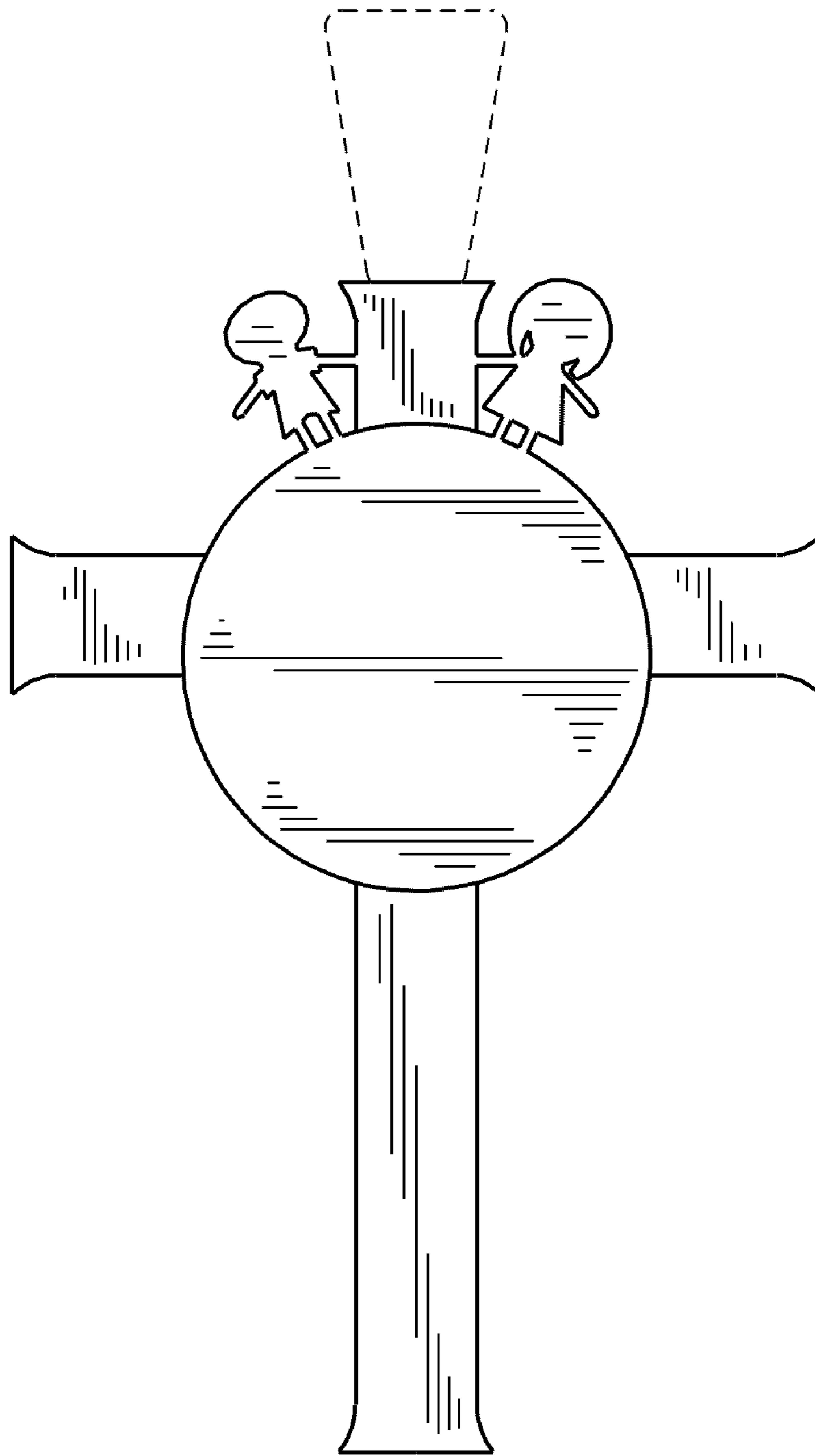


FIG. 7

FIG. 8

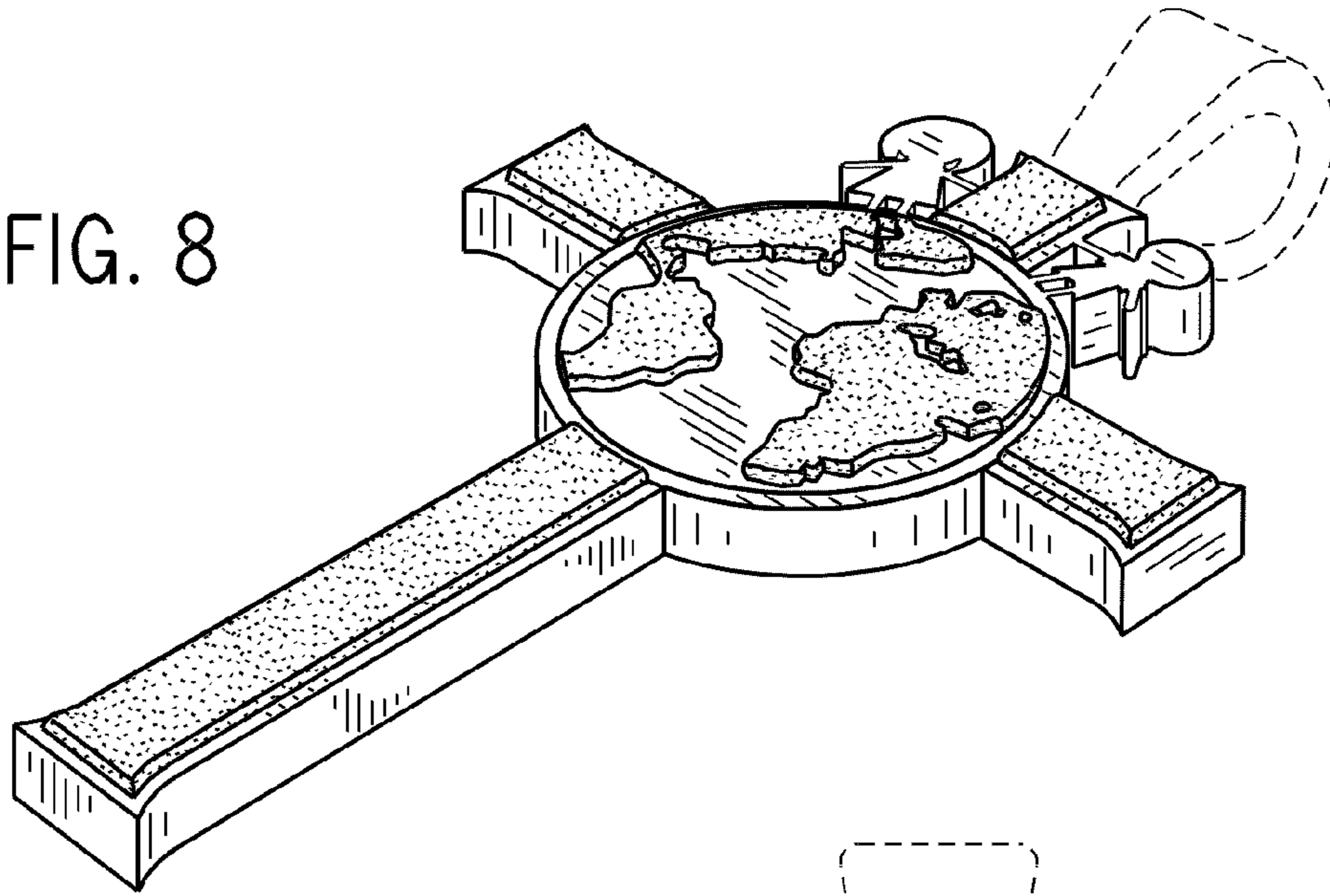
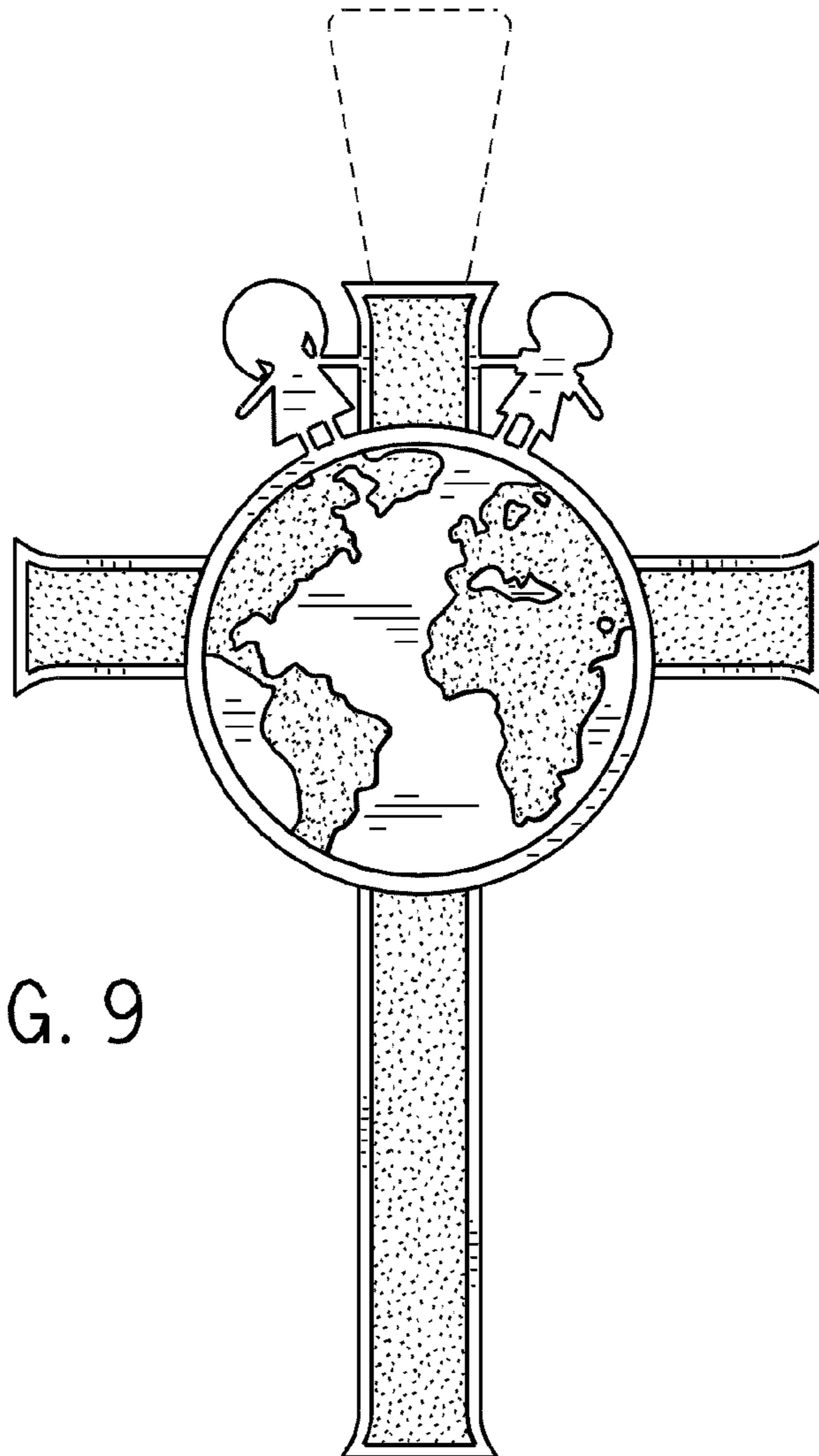


FIG. 9



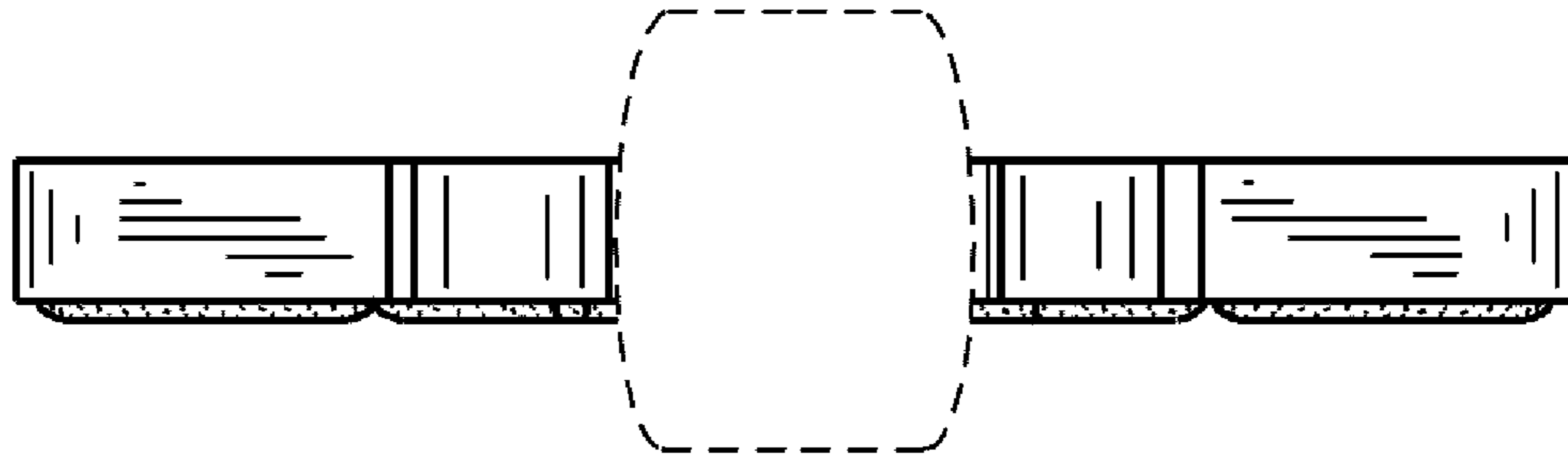


FIG. 10

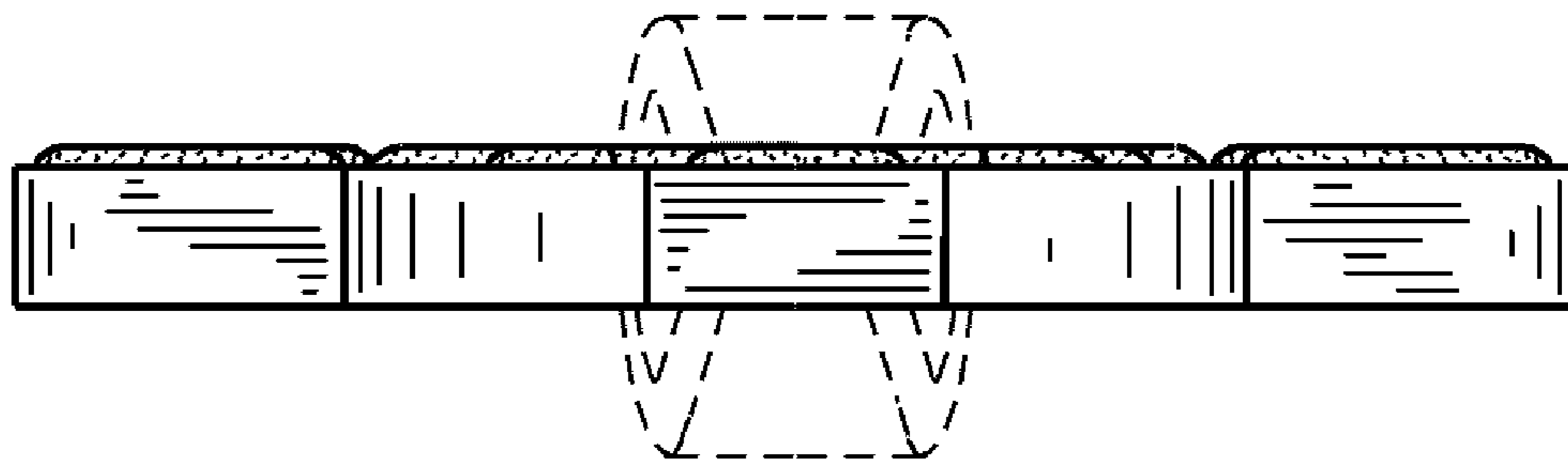


FIG. 11



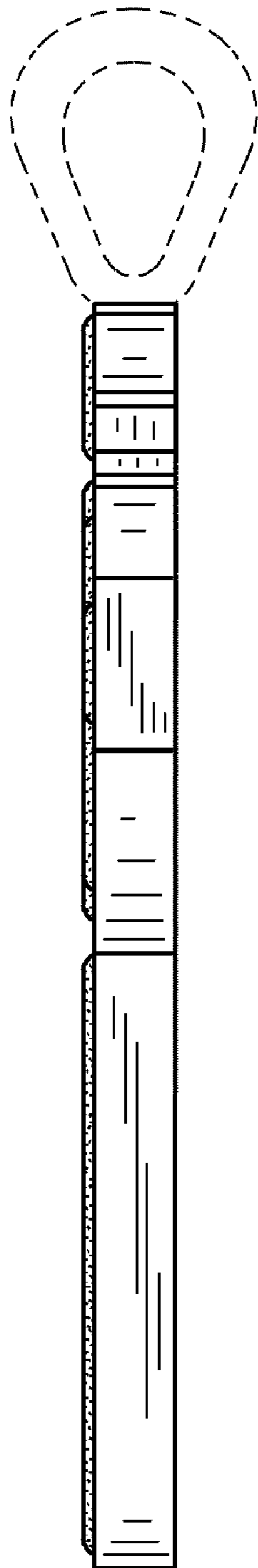


FIG. 12

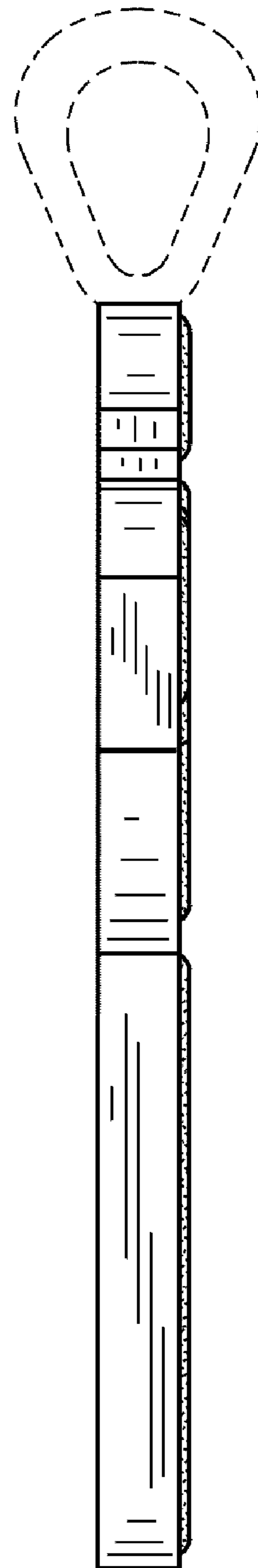


FIG. 13

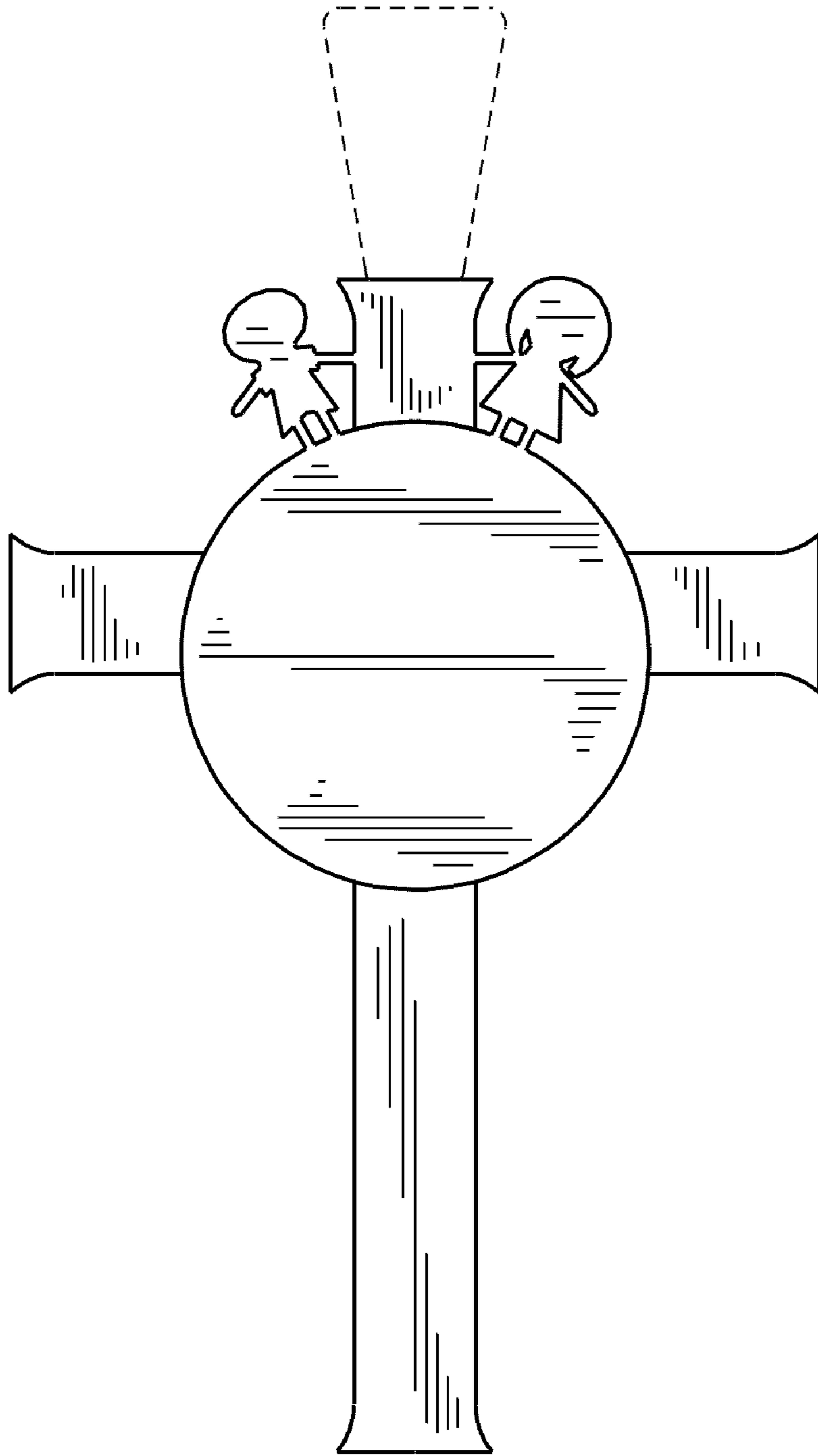


FIG. 14