



US00D653984S

(12) **United States Design Patent**  
**Carroll**

(10) **Patent No.:** **US D653,984 S**  
(45) **Date of Patent:** **\*\* Feb. 14, 2012**

(54) **FOOT ACCESSORY**

(76) Inventor: **Michelle Carroll**, Scottsdale, AZ (US)

(\*\*) Term: **14 Years**

(21) Appl. No.: **29/341,514**

(22) Filed: **Aug. 6, 2009**

(51) **LOC (9) Cl.** ..... **11-01**

(52) **U.S. Cl.** ..... **D11/2; D2/896**

(58) **Field of Classification Search** ..... D11/1,  
D11/2, 3, 4, 5, 6, 7, 79, 43, 11; 63/3, 3.1,  
63/3.2, 2, 11, 13; D2/896, 897, 898

See application file for complete search history.

(56) **References Cited**

**U.S. PATENT DOCUMENTS**

1,628,278	A *	5/1927	Scheuer	.....	63/3.1
D145,318	S *	7/1946	Lowenst	.....	D11/2
D192,315	S *	3/1962	Moore	.....	D2/896
3,656,244	A *	4/1972	Andrade	.....	36/1
D234,928	S *	4/1975	Tunnell	.....	D2/896
4,121,360	A *	10/1978	Vlerebome	.....	40/586
D253,437	S *	11/1979	Jensen	.....	D2/898
D253,917	S *	1/1980	Wilkinson	.....	D2/896
D300,881	S *	5/1989	Dickenson	.....	D2/896
5,386,710	A *	2/1995	Moore	.....	63/3
D432,760	S *	10/2000	Brachfeld	.....	D2/896

**OTHER PUBLICATIONS**

<http://www.jewelryindonesia.com/25-beads-accessory-from-bali/fj1-foot-jewelry-beaded-bali.html>.  
<http://www.apnimarzi.com/wp-content/uploads/2009/10/18.jpg>.  
[http://www.blujay.com/1/419/3147476\\_sl\\_i1.jpg](http://www.blujay.com/1/419/3147476_sl_i1.jpg).  
<http://www.jewels-by-jan.com/barefoot-sandals/newer-sandals/lavender-lace.jpg>.

\* cited by examiner

*Primary Examiner* — Cathron Brooks

*Assistant Examiner* — Melanie Levy

(74) *Attorney, Agent, or Firm* — Ingrassia Fisher & Lorenz, PC

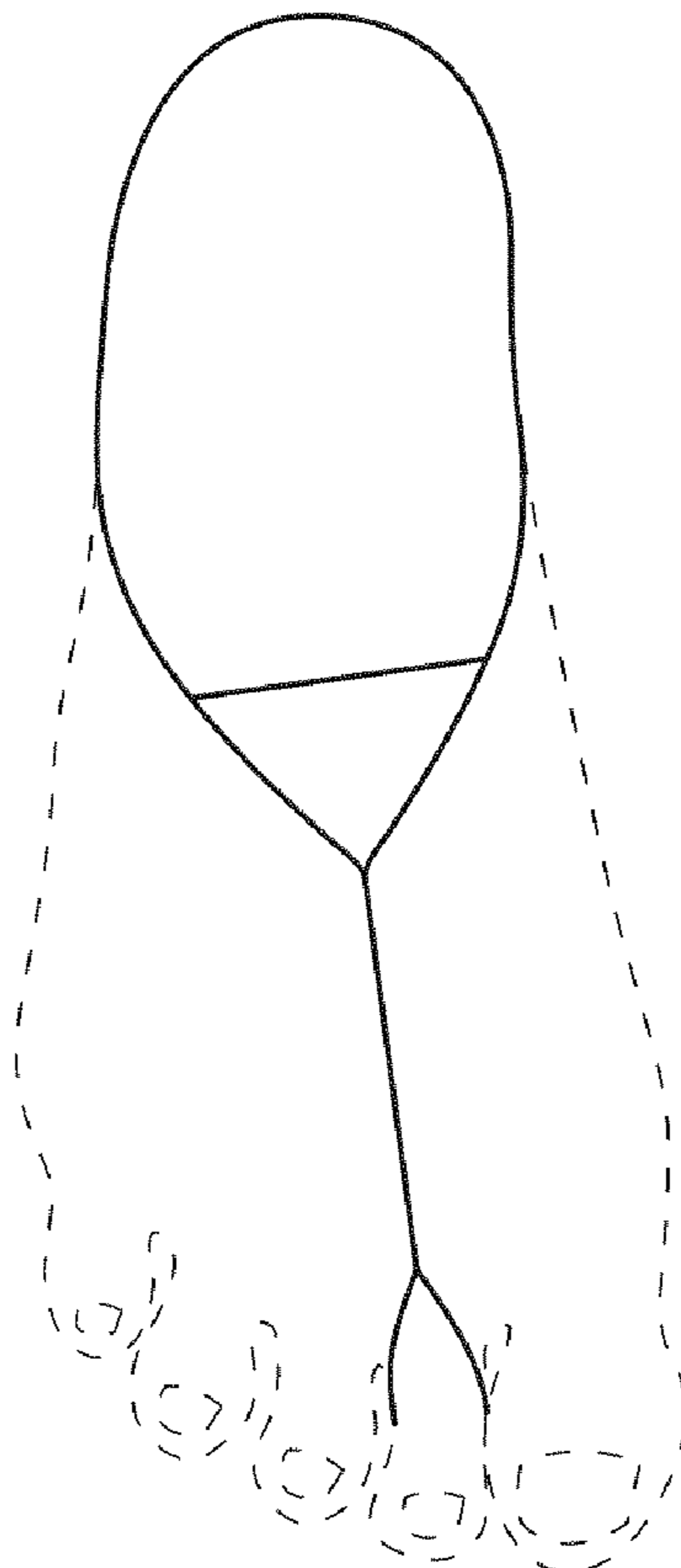
(57) **CLAIM**

An ornamental design for a foot accessory, as shown and described herein.

**DESCRIPTION**

FIG. 1 is a top plan view of the foot accessory showing my new design;  
FIG. 2 is another top plan view thereof;  
FIG. 3 is yet another top plan view thereof;  
FIG. 4 is a right side perspective view thereof; and,  
FIG. 5 is a top perspective view thereof.  
The broken lines shown in the drawings represent environmental matter and unclaimed portions of the design and form no part of the claimed design.

**1 Claim, 4 Drawing Sheets**



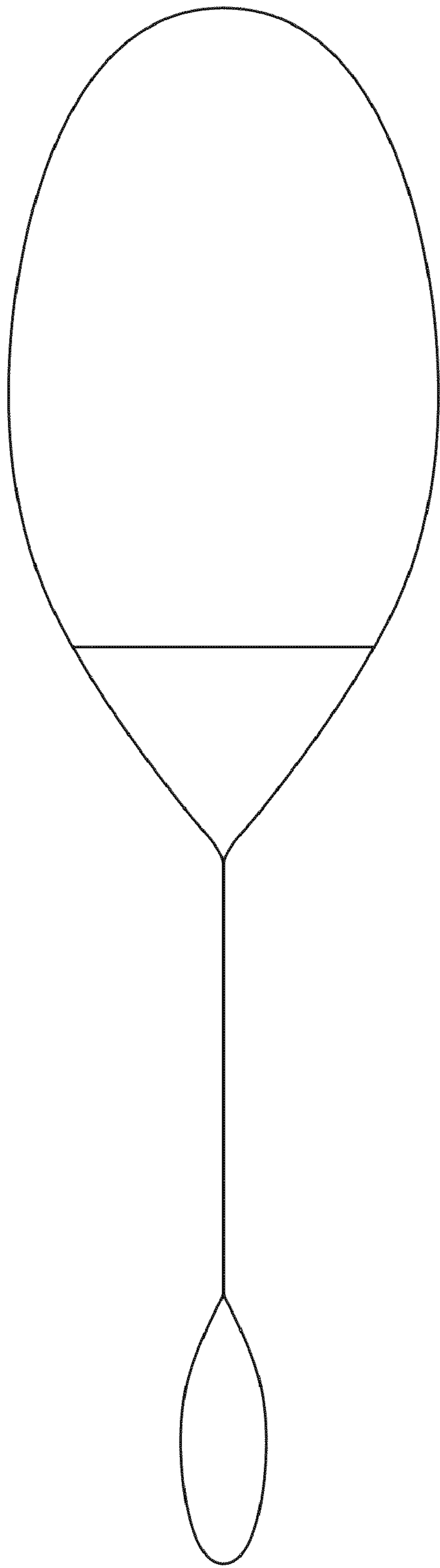


FIG.1

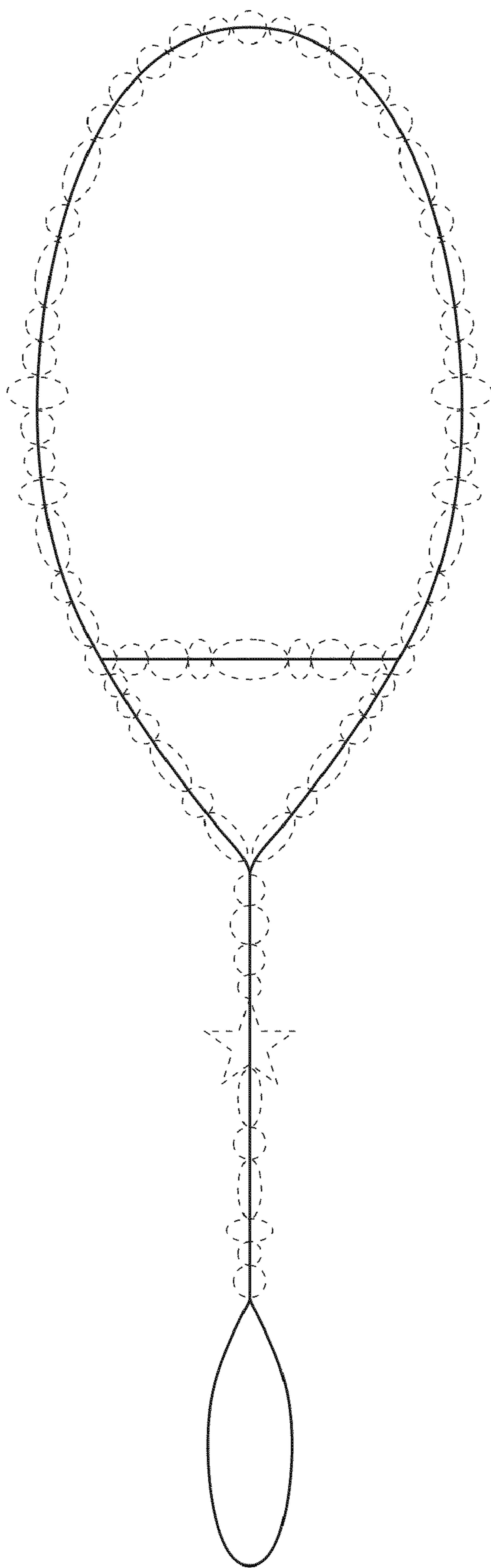


FIG.2

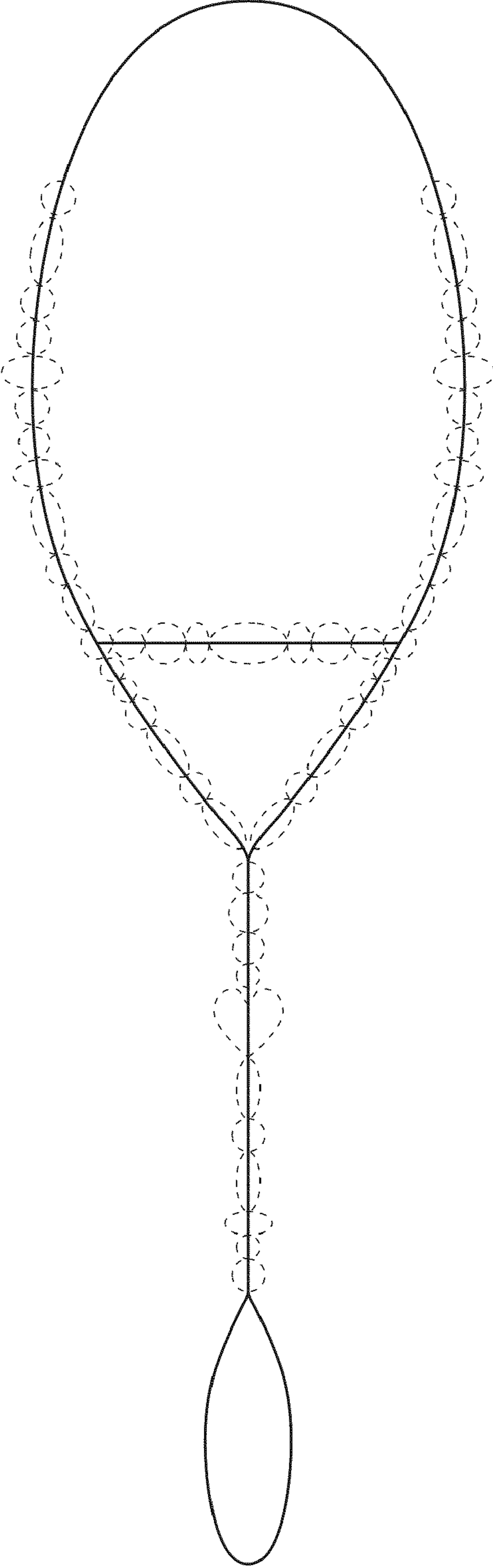


FIG.3

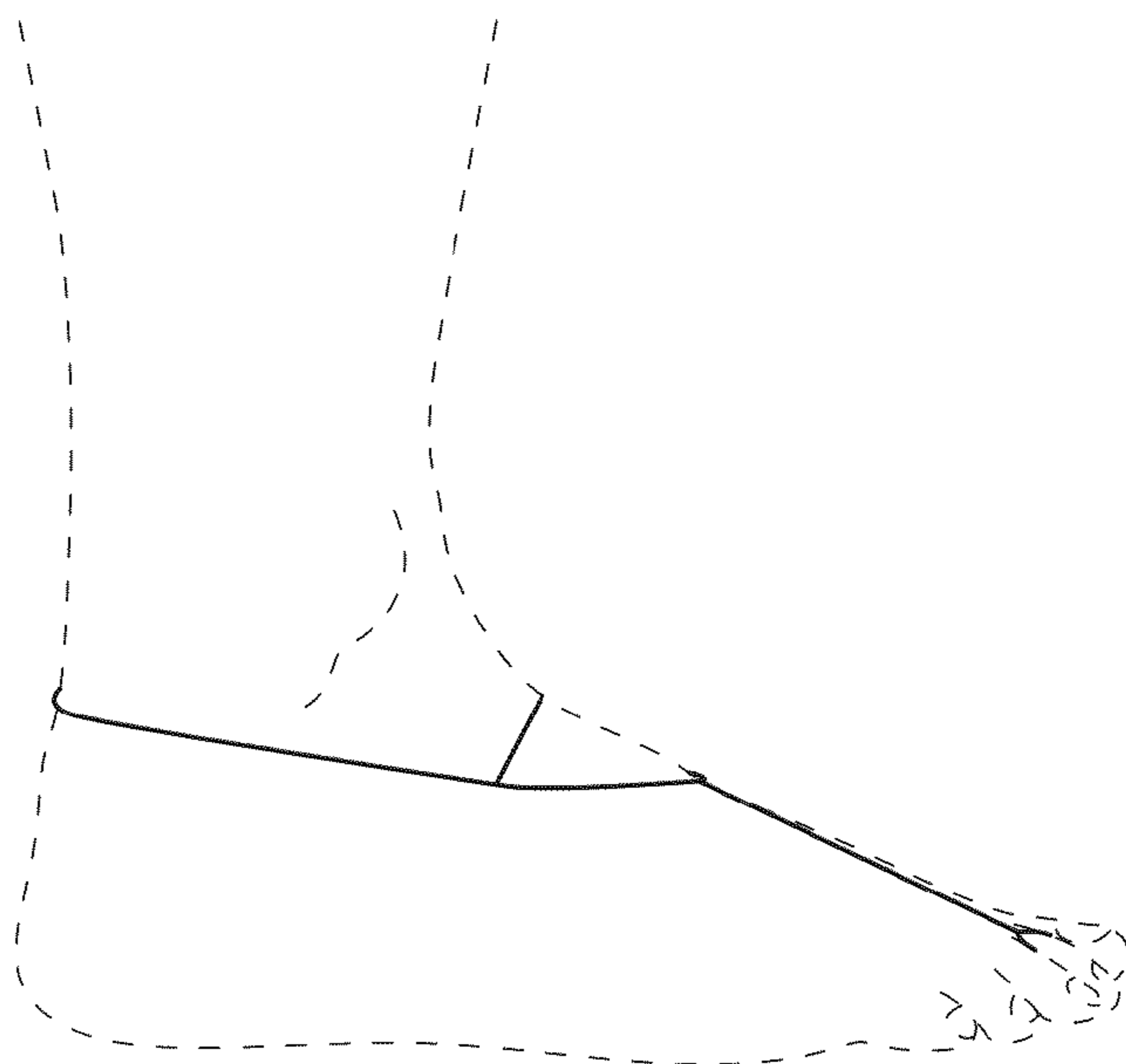


FIG. 4

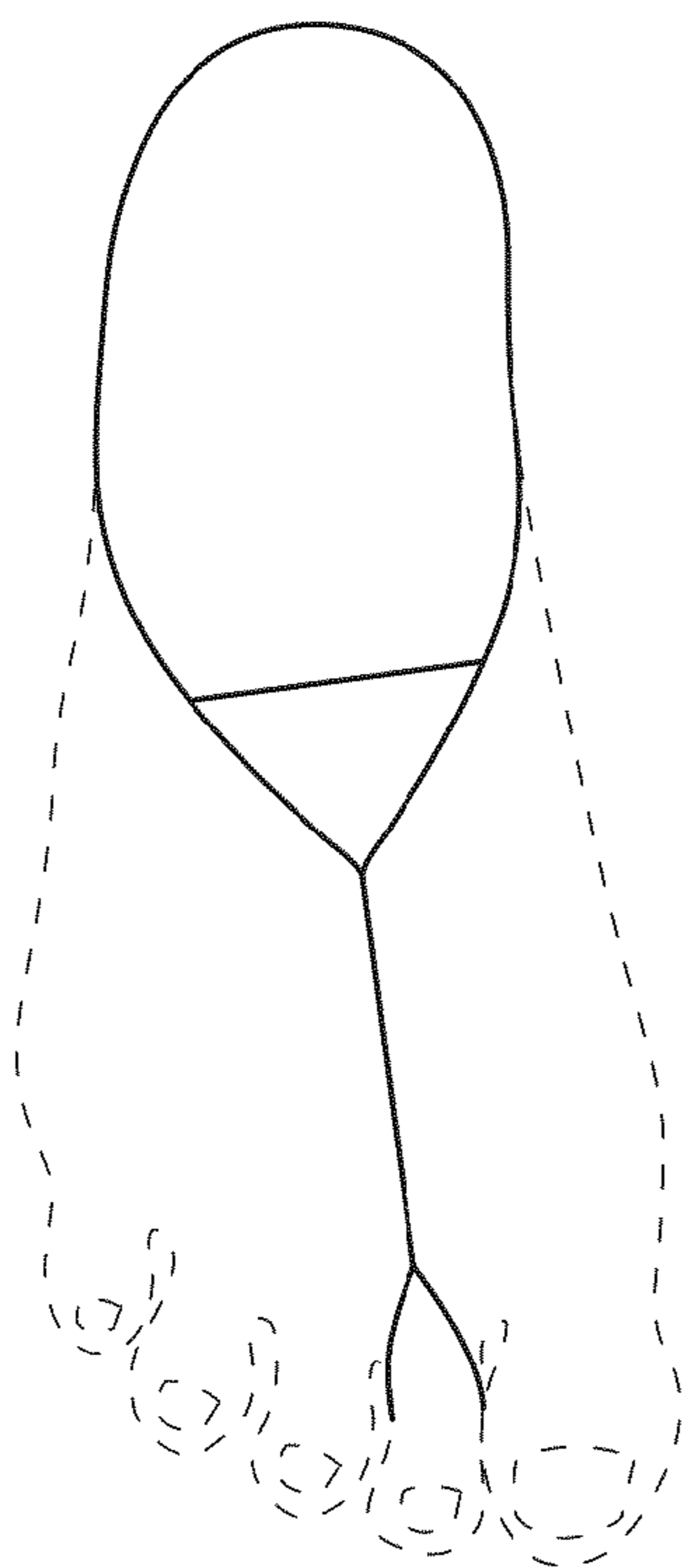


FIG. 5