



US00D653978S

(12) **United States Design Patent**
Robinson et al.

(10) **Patent No.:** **US D653,978 S**

(45) **Date of Patent:** **** Feb. 14, 2012**

(54) **END HOOK FOR TAPE MEASURING DEVICE**

(56)

References Cited

(75) Inventors: **Glenn Robinson**, Coral Springs, FL (US); **Michael Garcia**, Coral Springs, FL (US); **Joseph Deguglimo**, Boca Raton, FL (US)

U.S. PATENT DOCUMENTS

D457,450 S * 5/2002 Lamond et al. D10/74
D486,086 S * 2/2004 Jueneman D10/74
D617,224 S * 6/2010 Delneo et al. D10/74

* cited by examiner

(73) Assignee: **IBT Holdings, LLC**, Deerfield Beach, FL (US)

Primary Examiner — Antoine D Davis

(74) *Attorney, Agent, or Firm* — Dan DeLaRosa

(**) Term: **14 Years**

(57) **CLAIM**

The ornamental design for an end hook for a tape measuring device, as shown and described.

(21) Appl. No.: **29/372,245**

DESCRIPTION

(22) Filed: **Nov. 1, 2010**

FIG. 1 is a front perspective view of the end hook for the tape measuring device of the present invention showing my new design;

(51) **LOC (9) Cl.** **10-04**

FIG. 2 is a front elevational view thereof;

(52) **U.S. Cl.** **D10/74**

FIG. 3 is a rear elevational view thereof;

(58) **Field of Classification Search** D10/72,
D10/74; D8/394-395; 33/768-770

FIG. 4 is a side elevational view thereof;

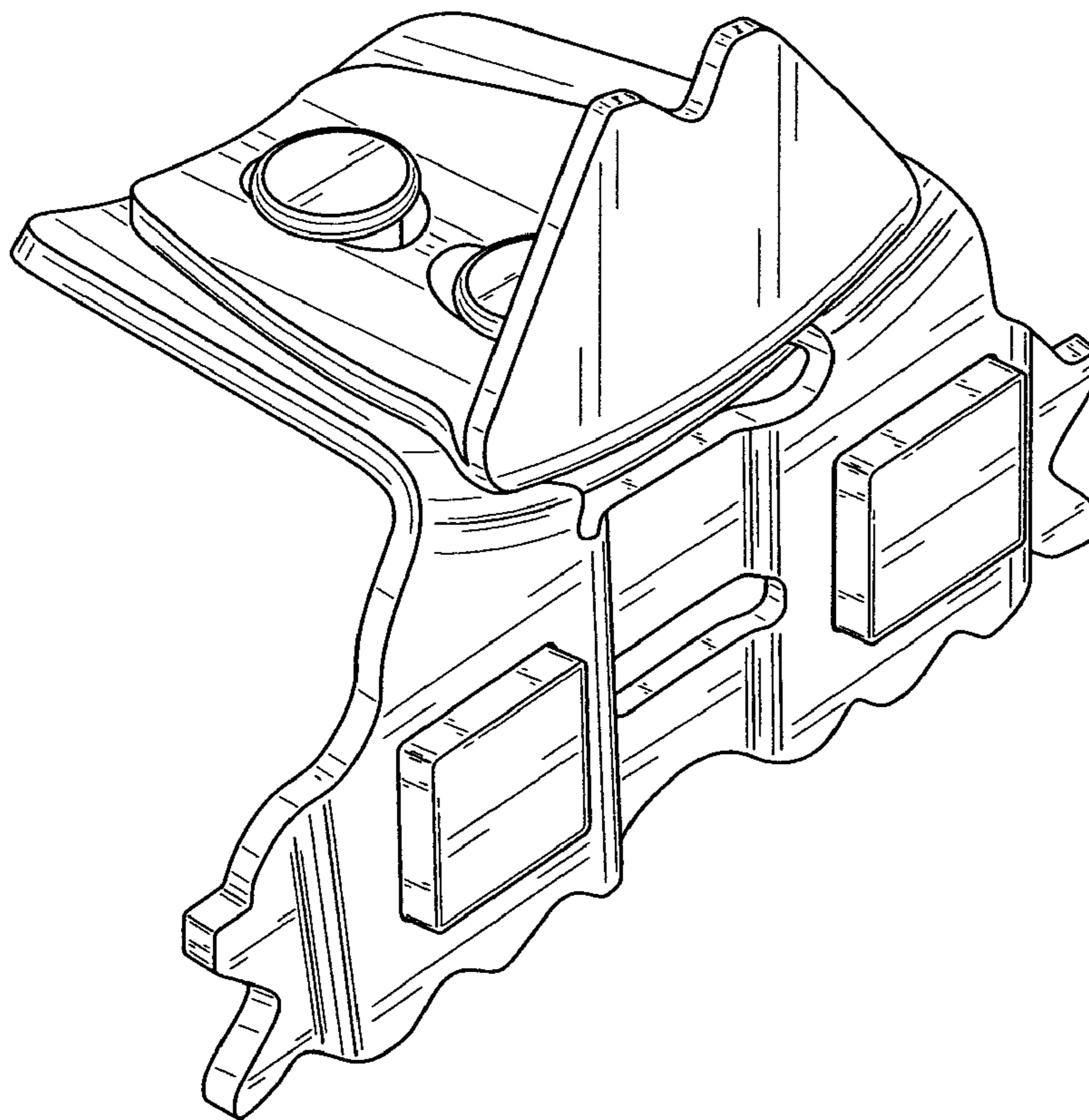
FIG. 5 is another side elevational view thereof;

FIG. 6 is a top plan view thereof; and,

FIG. 7 is a bottom plan view thereof.

See application file for complete search history.

1 Claim, 4 Drawing Sheets



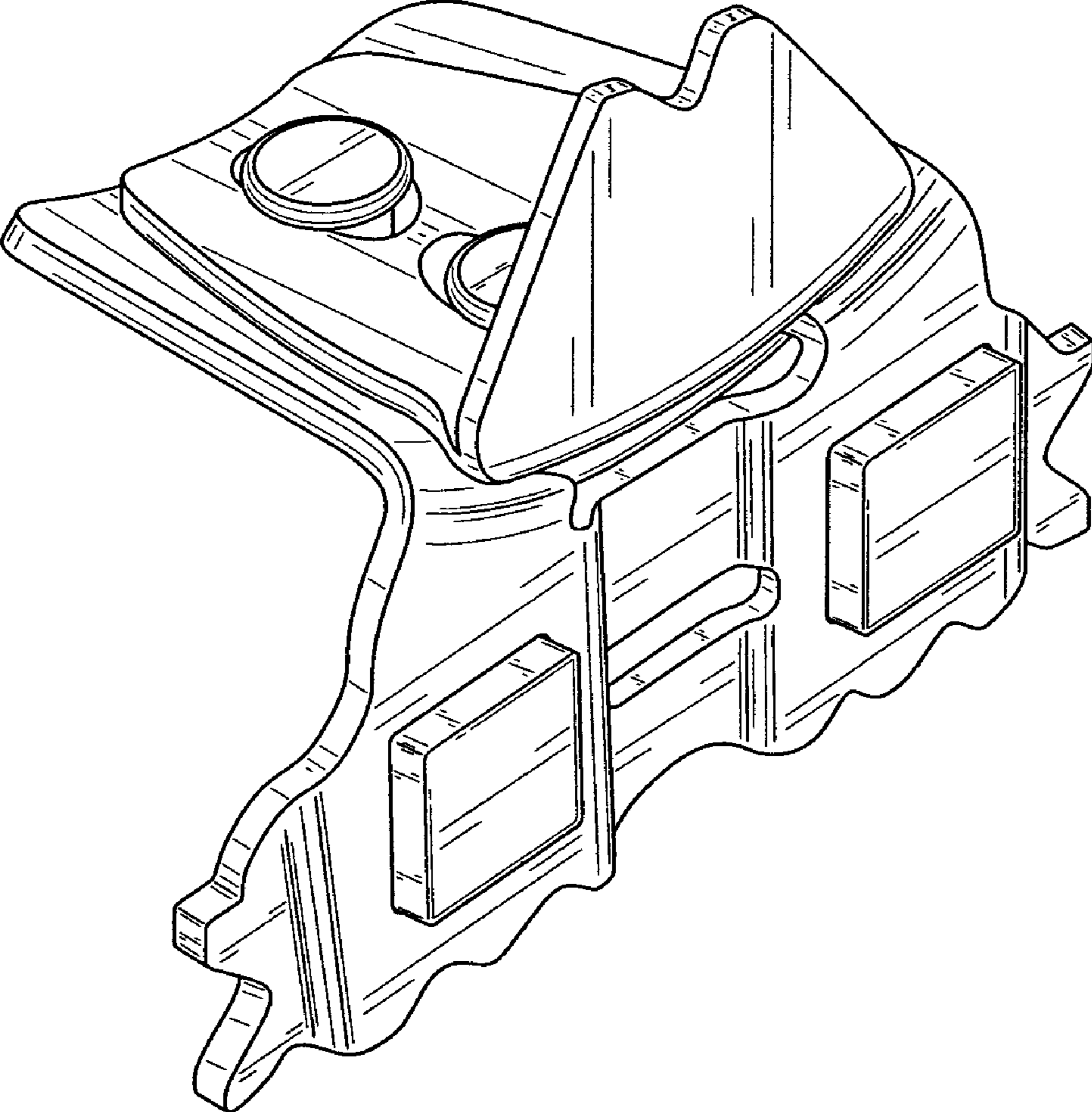


FIG. 1

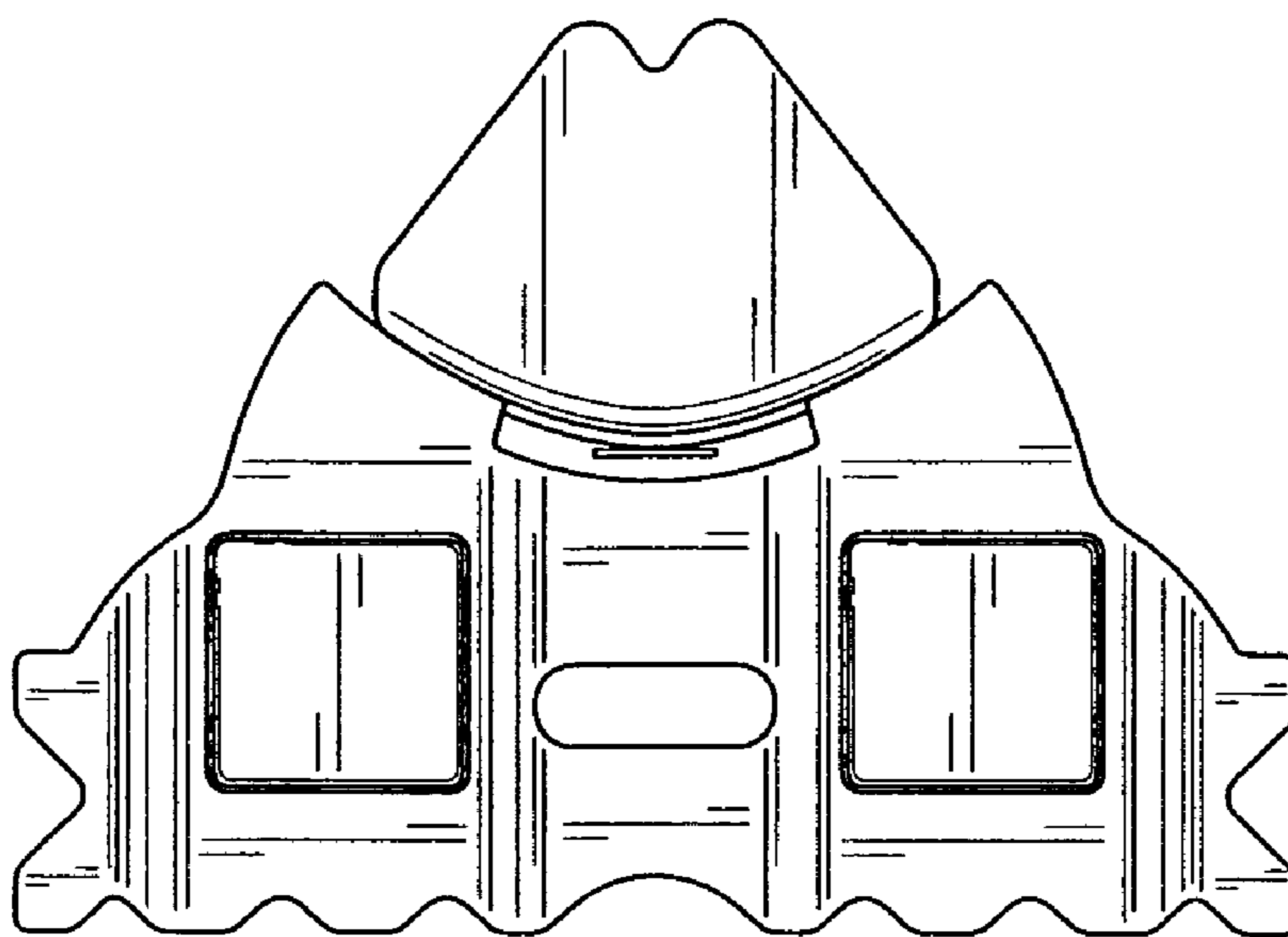


FIG. 2

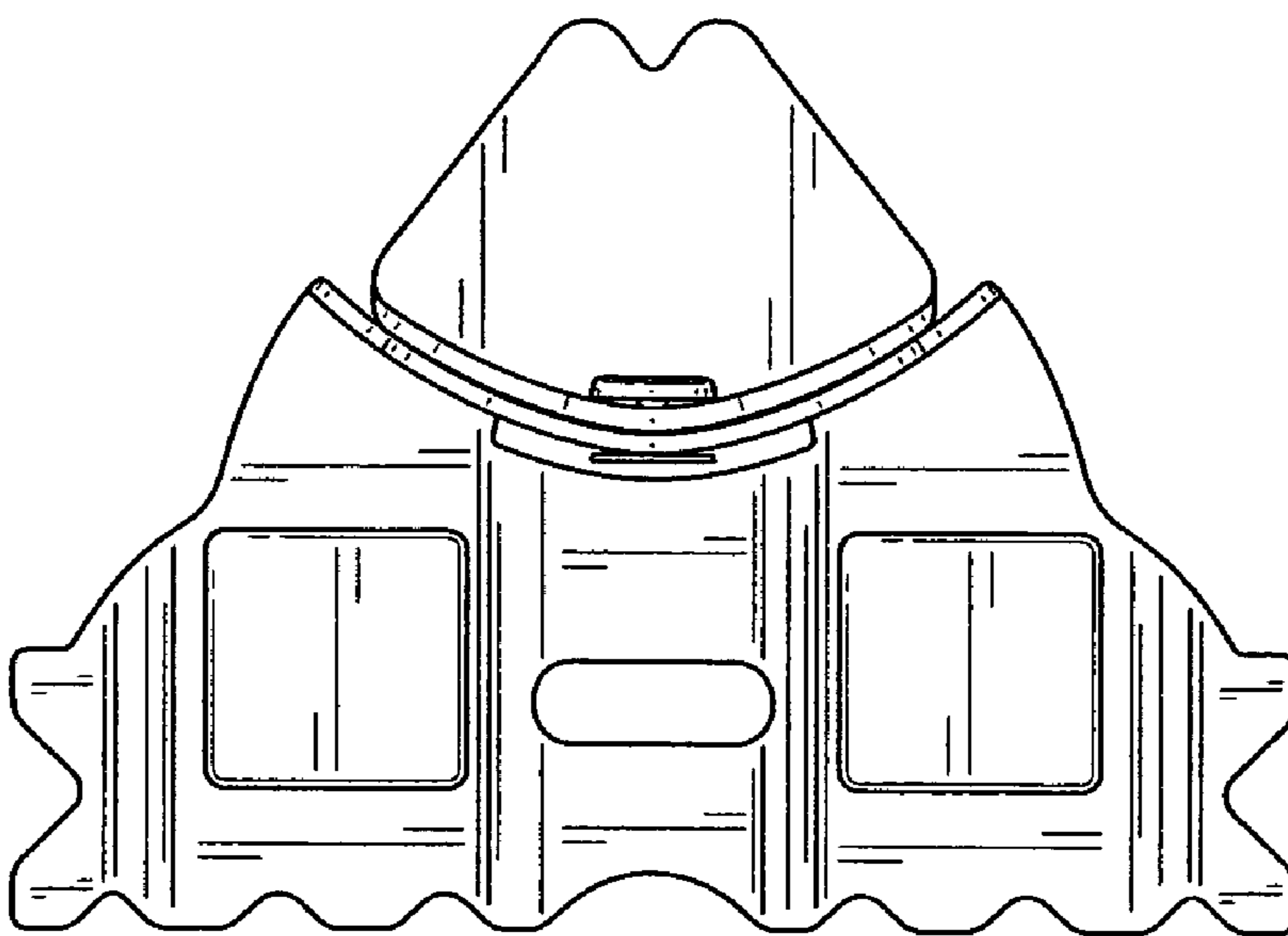


FIG. 3

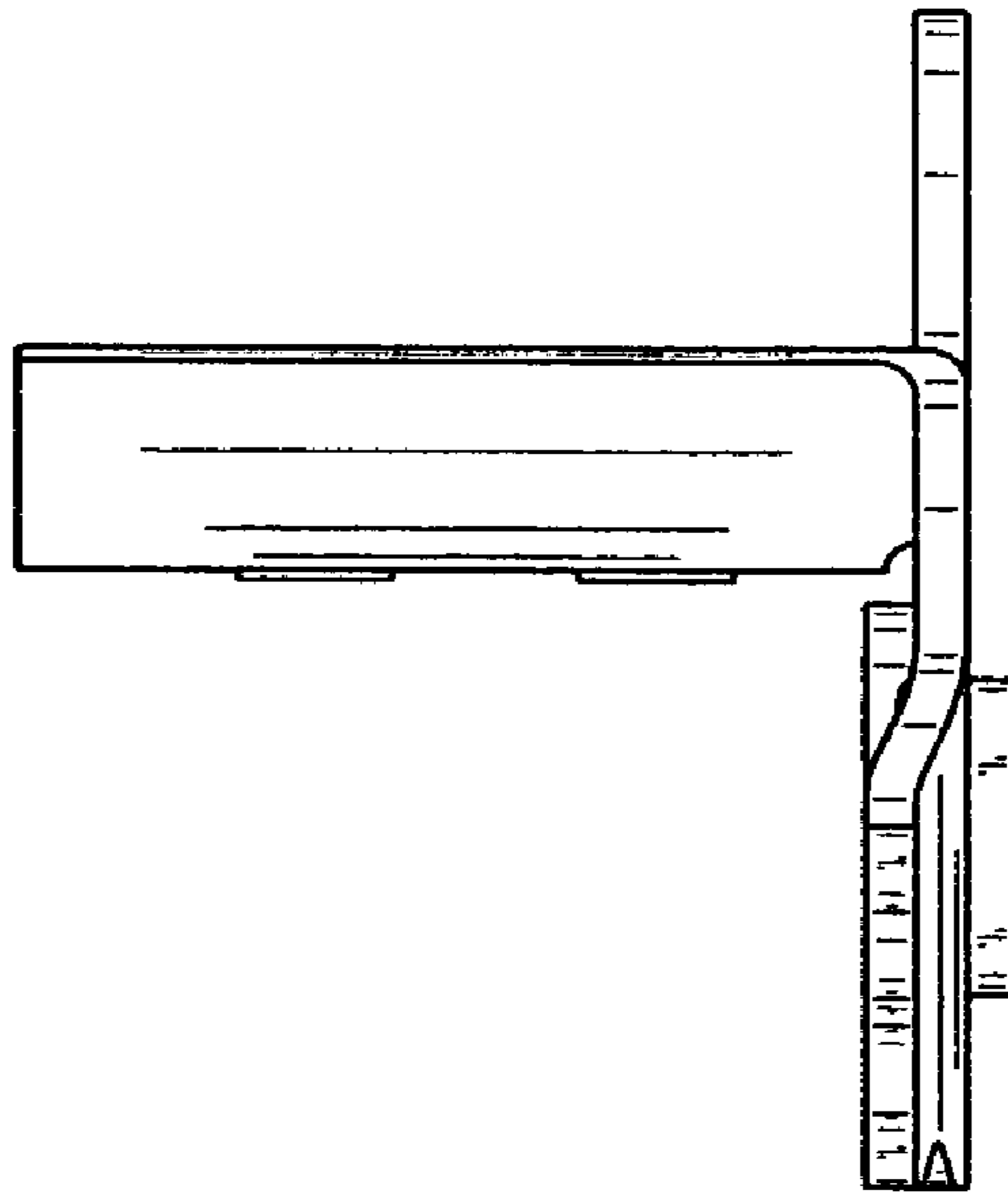


FIG. 4

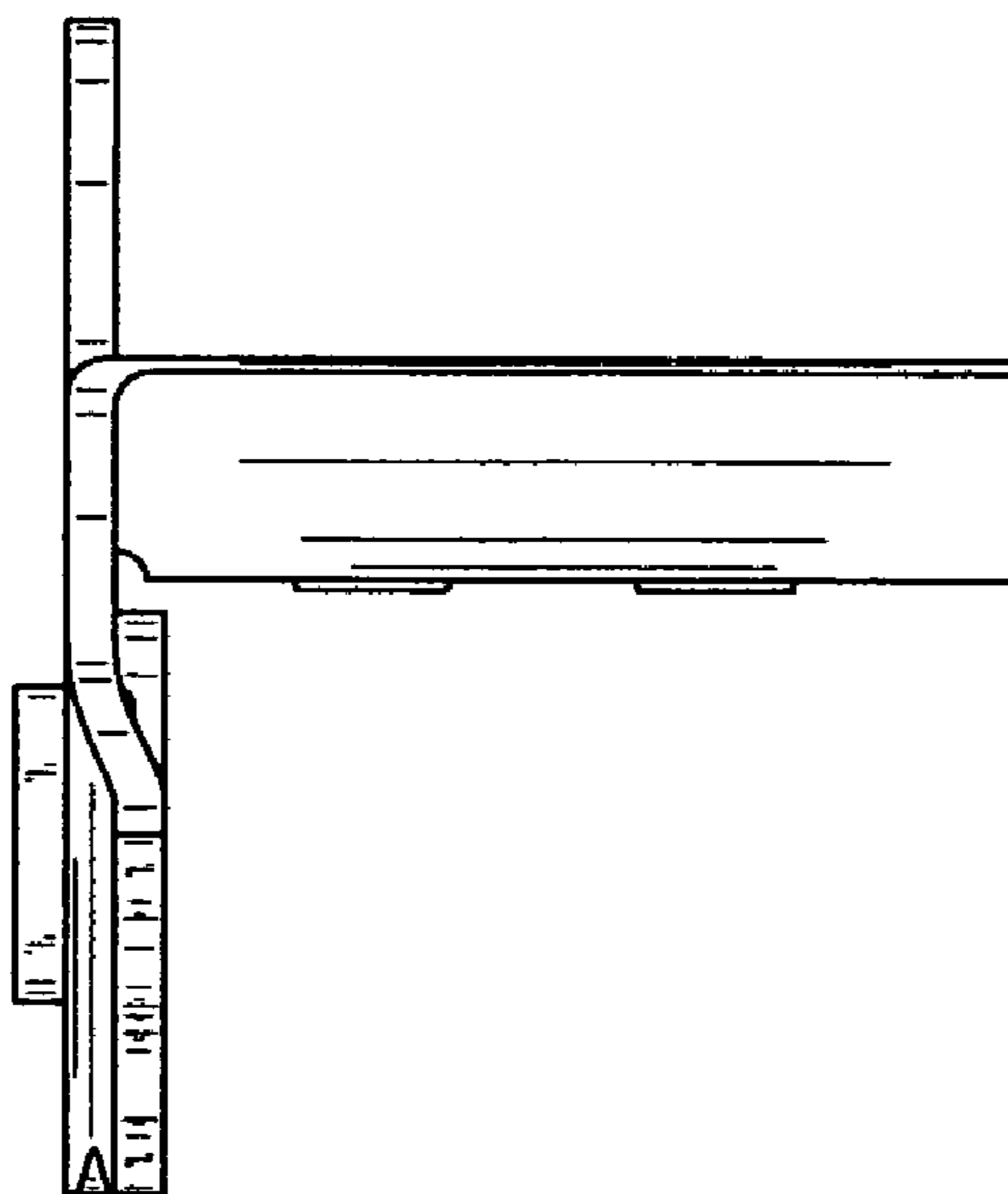


FIG. 5

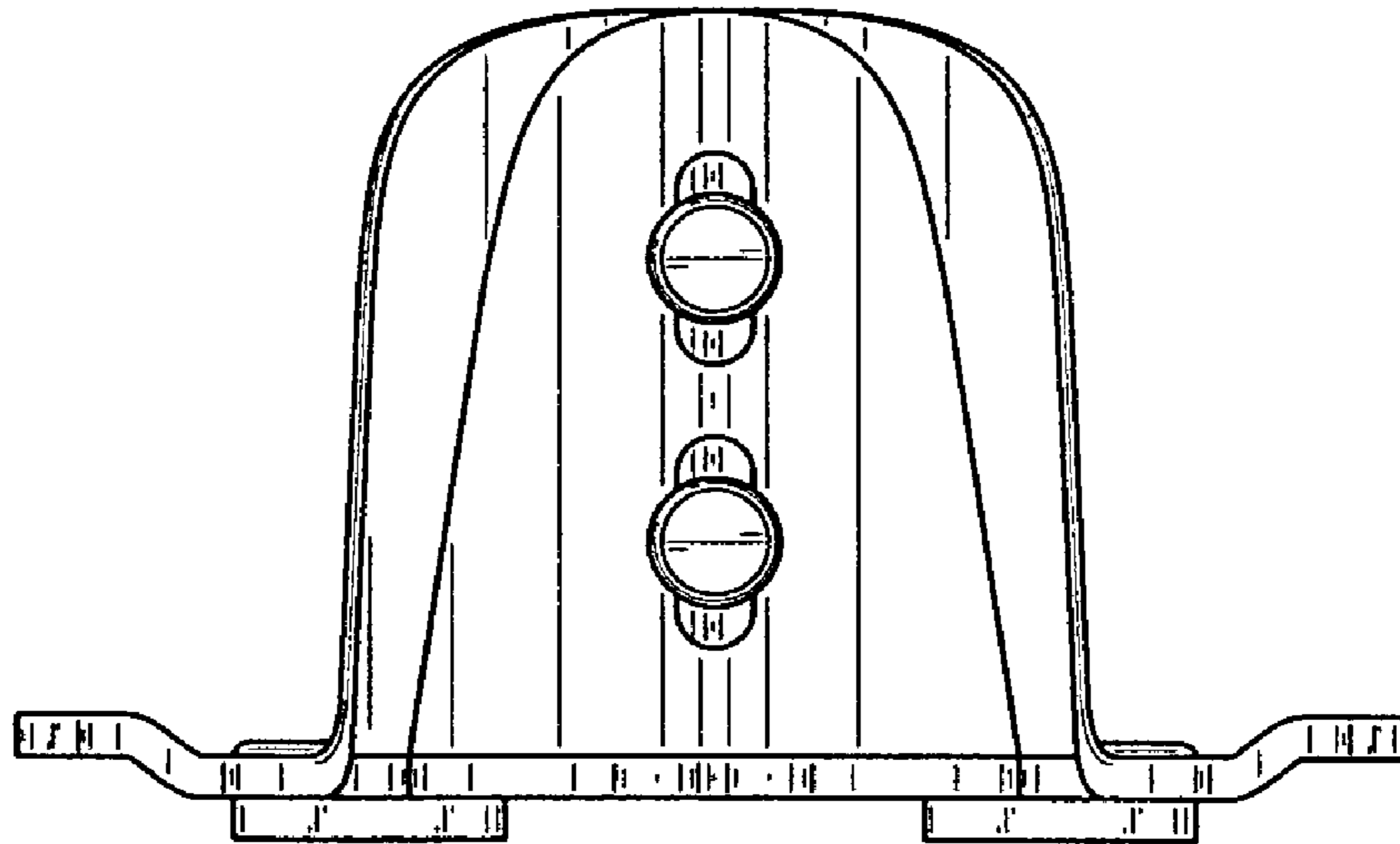


FIG. 6

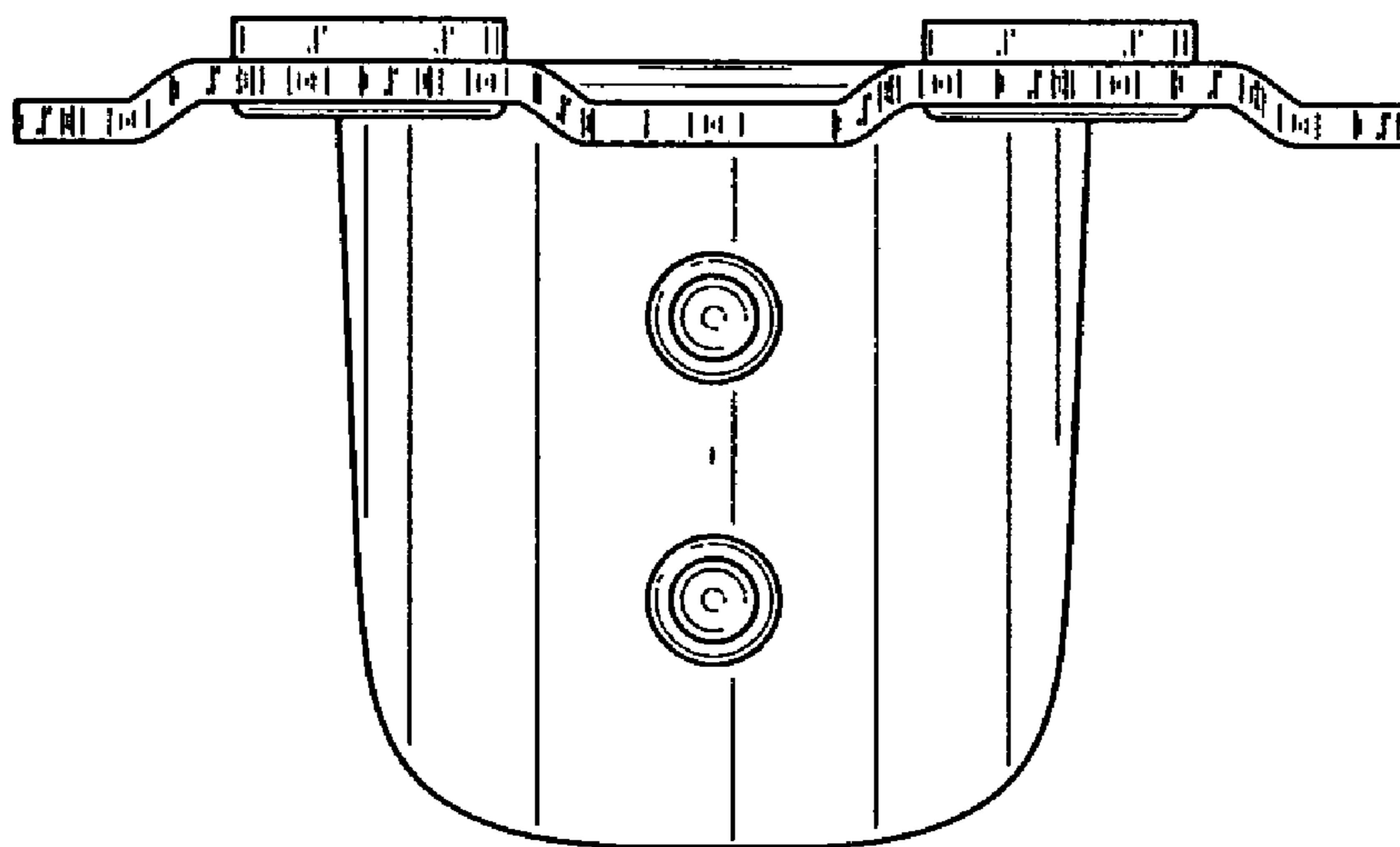


FIG. 7