



US00D653977S

(12) **United States Design Patent**
Robinson et al.

(10) **Patent No.:** **US D653,977 S**
(45) **Date of Patent:** **** Feb. 14, 2012**

(54) **RING FOR TAPE MEASURING DEVICE**

(75) Inventors: **Glenn Robinson**, Coral Springs, FL
(US); **Michael Garcia**, Coral Springs,
FL (US); **Joseph Deguglimo**, Boca
Raton, FL (US)

(73) Assignee: **IBT Holdings LLC**, Deerfield Beach,
FL (US)

(**) Term: **14 Years**

(21) Appl. No.: **29/372,239**

(22) Filed: **Nov. 1, 2010**

(51) **LOC (9) Cl.** **10-04**

(52) **U.S. Cl.** **D10/74**

(58) **Field of Classification Search** D10/72,
D10/74; 33/755-771; 242/285, 291, 379,
242/379.1, 379.2, 381, 381.1-381.6, 405

See application file for complete search history.

(56) **References Cited**

U.S. PATENT DOCUMENTS

D602,792 S * 10/2009 Bender D10/74
* cited by examiner

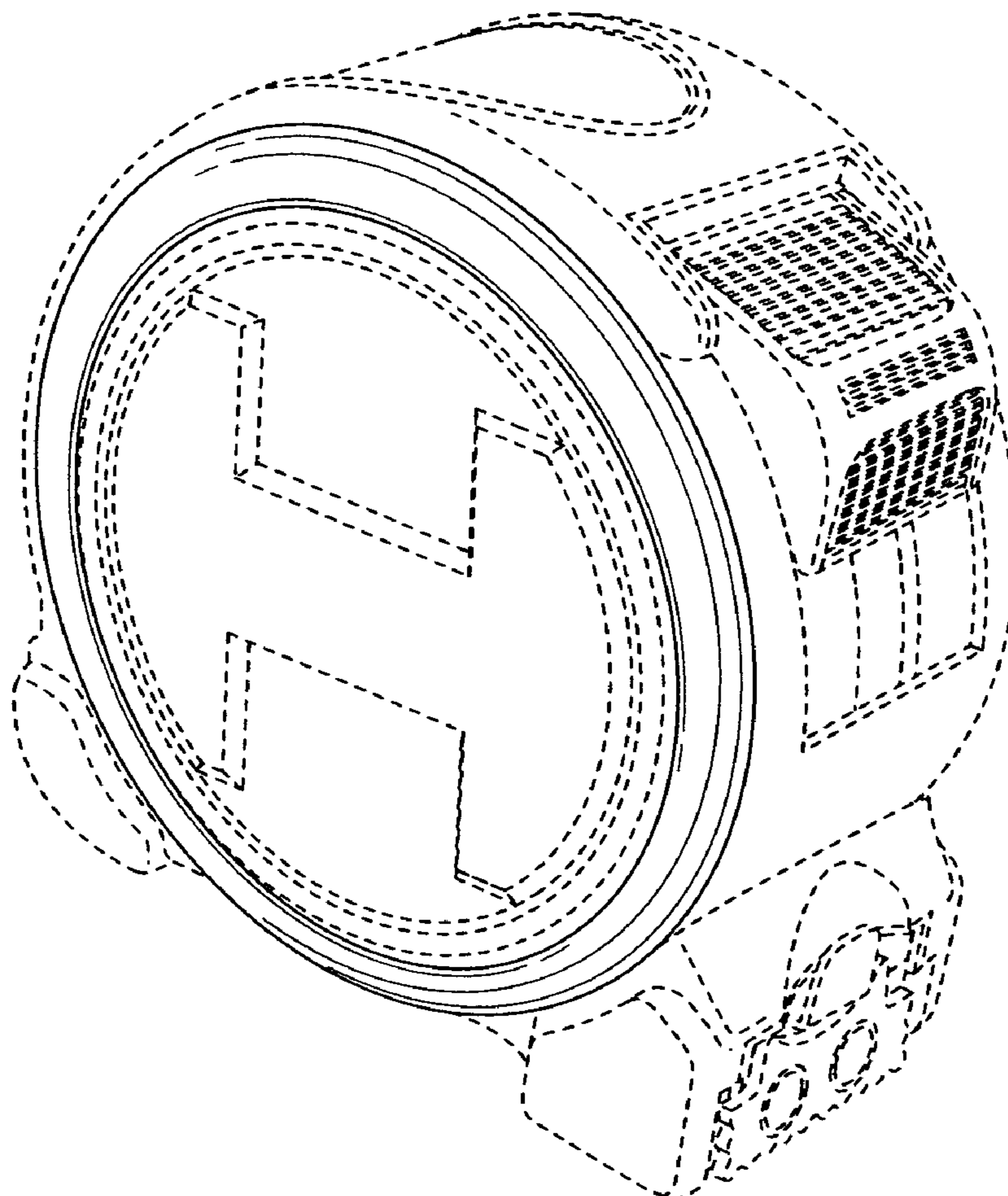
Primary Examiner — Antoine D Davis
(74) *Attorney, Agent, or Firm* — Dan DeLaRosa

(57) **CLAIM**
The ornamental design for a ring for a tape measuring device,
as shown and described.

DESCRIPTION

FIG. 1 is a front perspective view of the ring for the tape measuring device of the present invention showing my new design;
FIG. 2 is a front elevational view thereof;
FIG. 3 is a rear elevational view thereof;
FIG. 4 is a side elevational view thereof;
FIG. 5 is another side elevational view thereof;
FIG. 6 is a top plan view thereof; and,
FIG. 7 is a bottom plan view thereof.
The broken line showing of structural features is included for the purpose of illustrating non-claimed subject matter and forms no part of the claimed design.

1 Claim, 6 Drawing Sheets



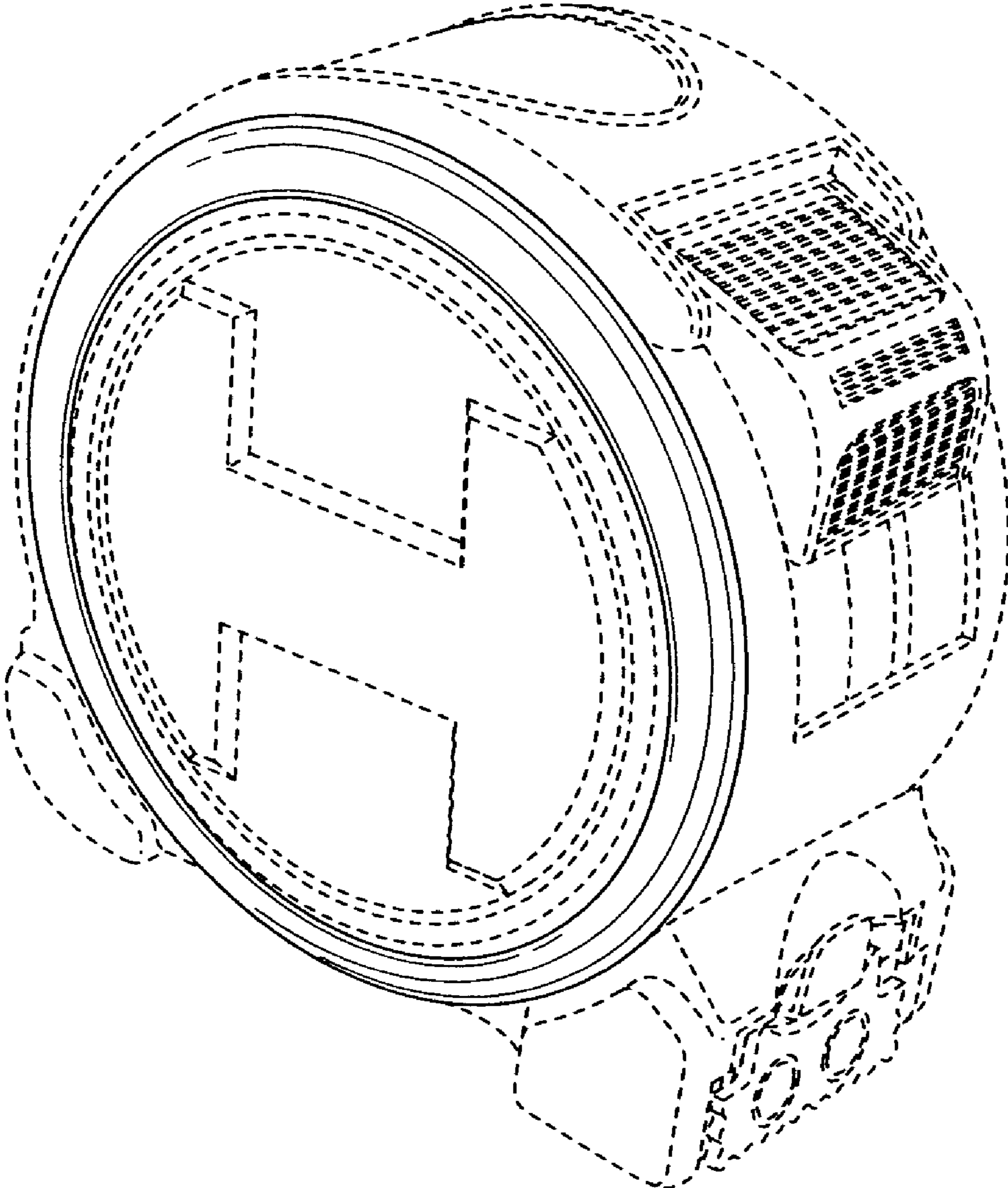


FIG. 1

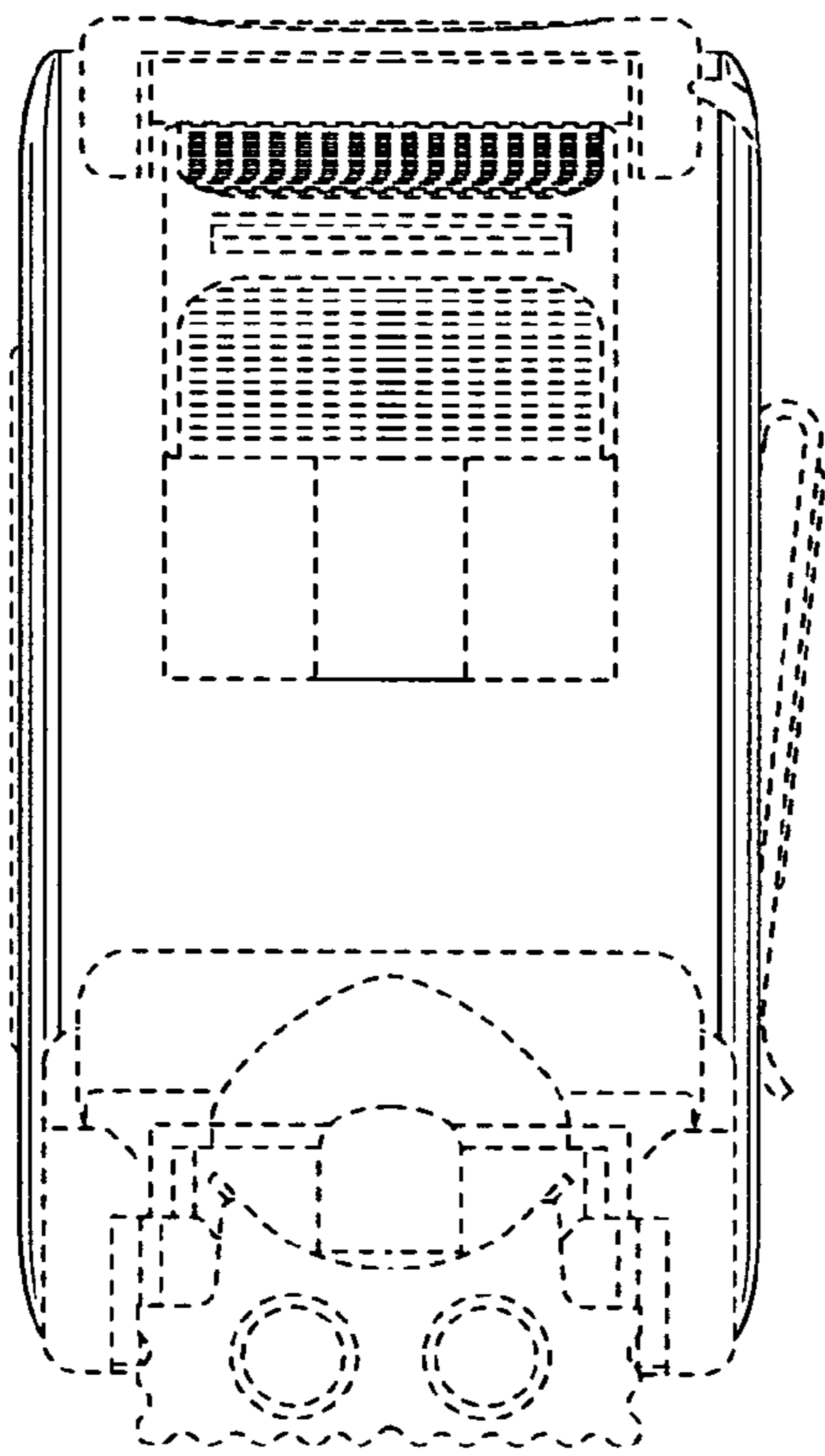


FIG. 2

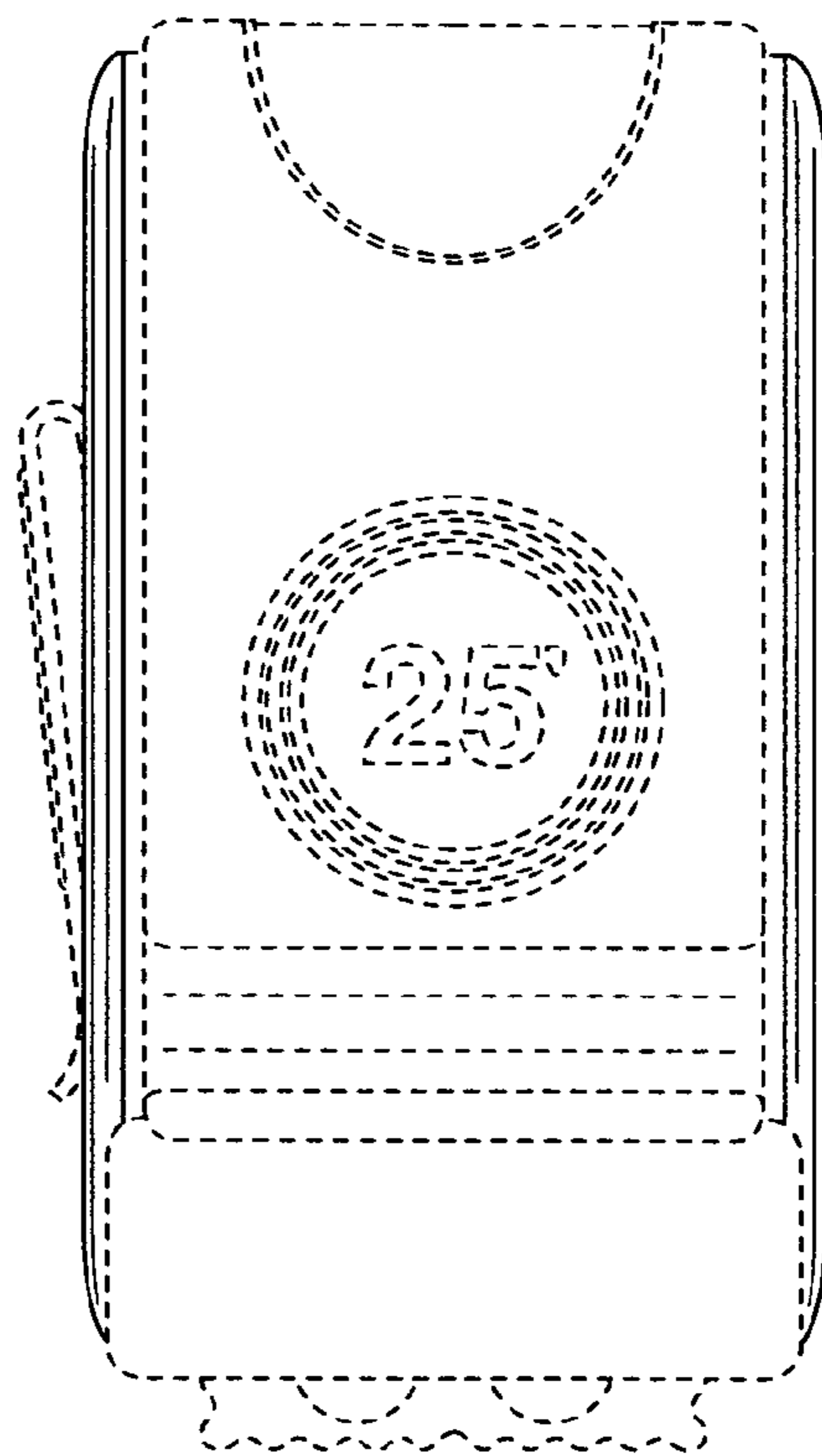


FIG. 3

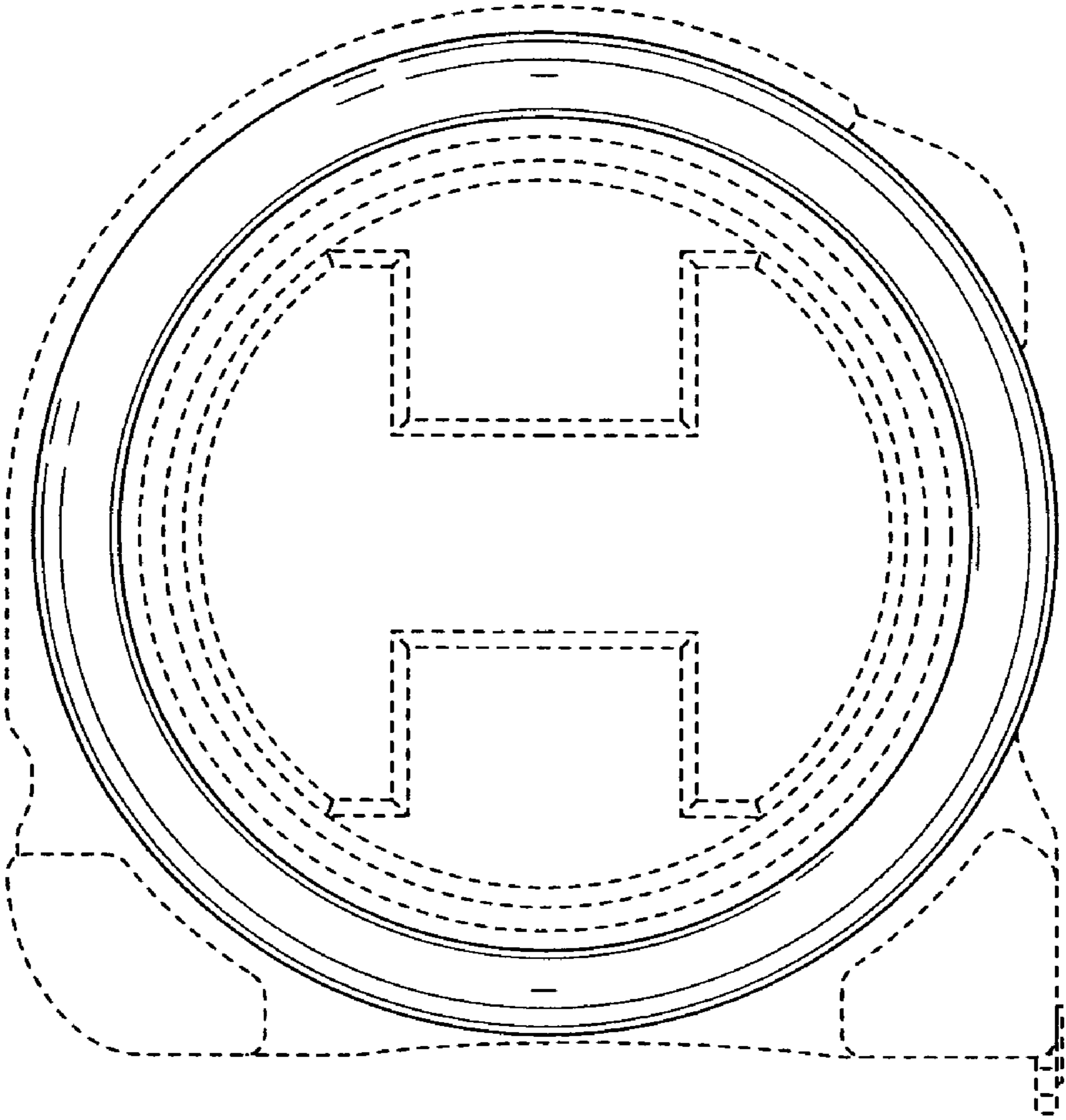


FIG. 4

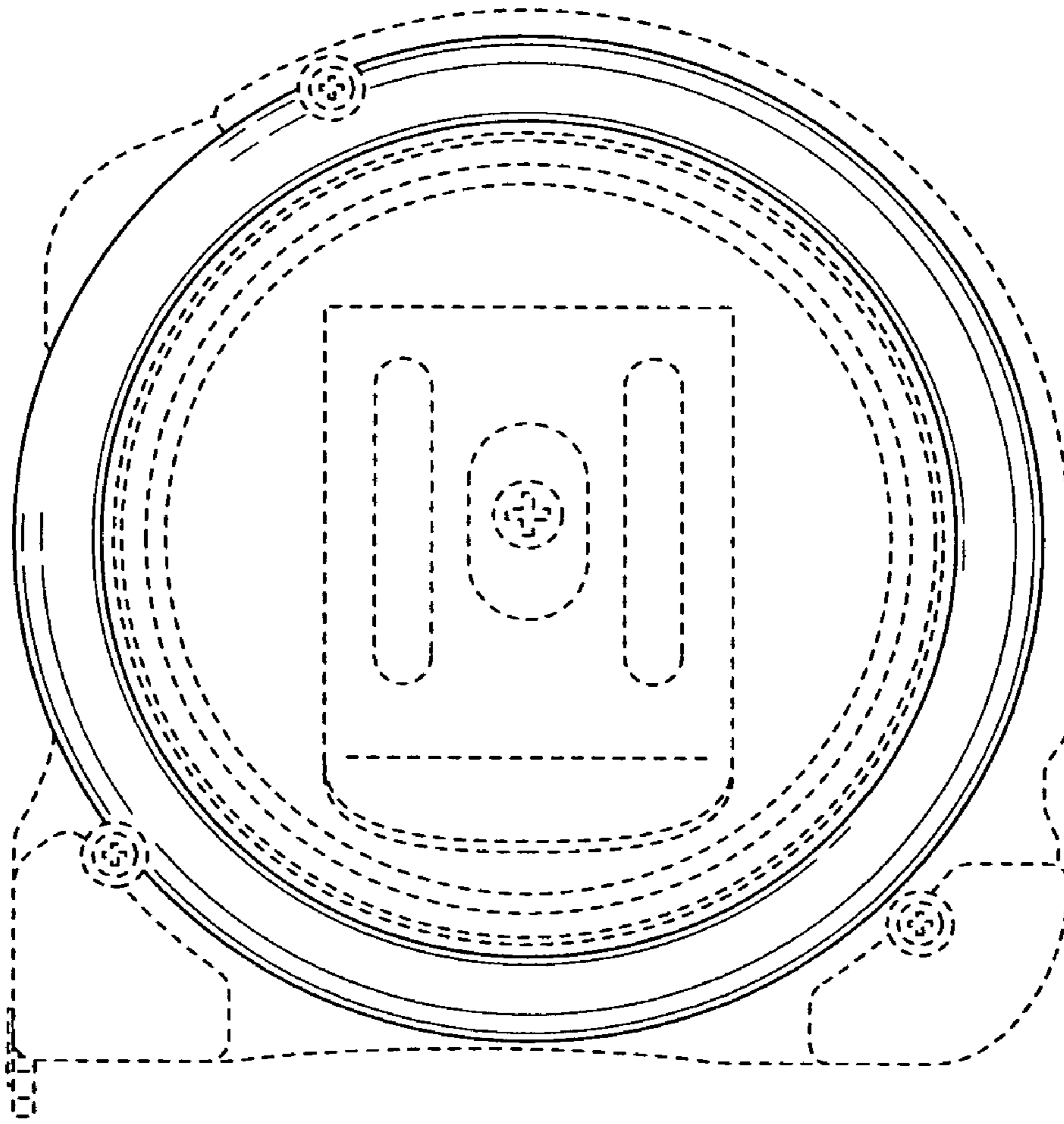


FIG. 5

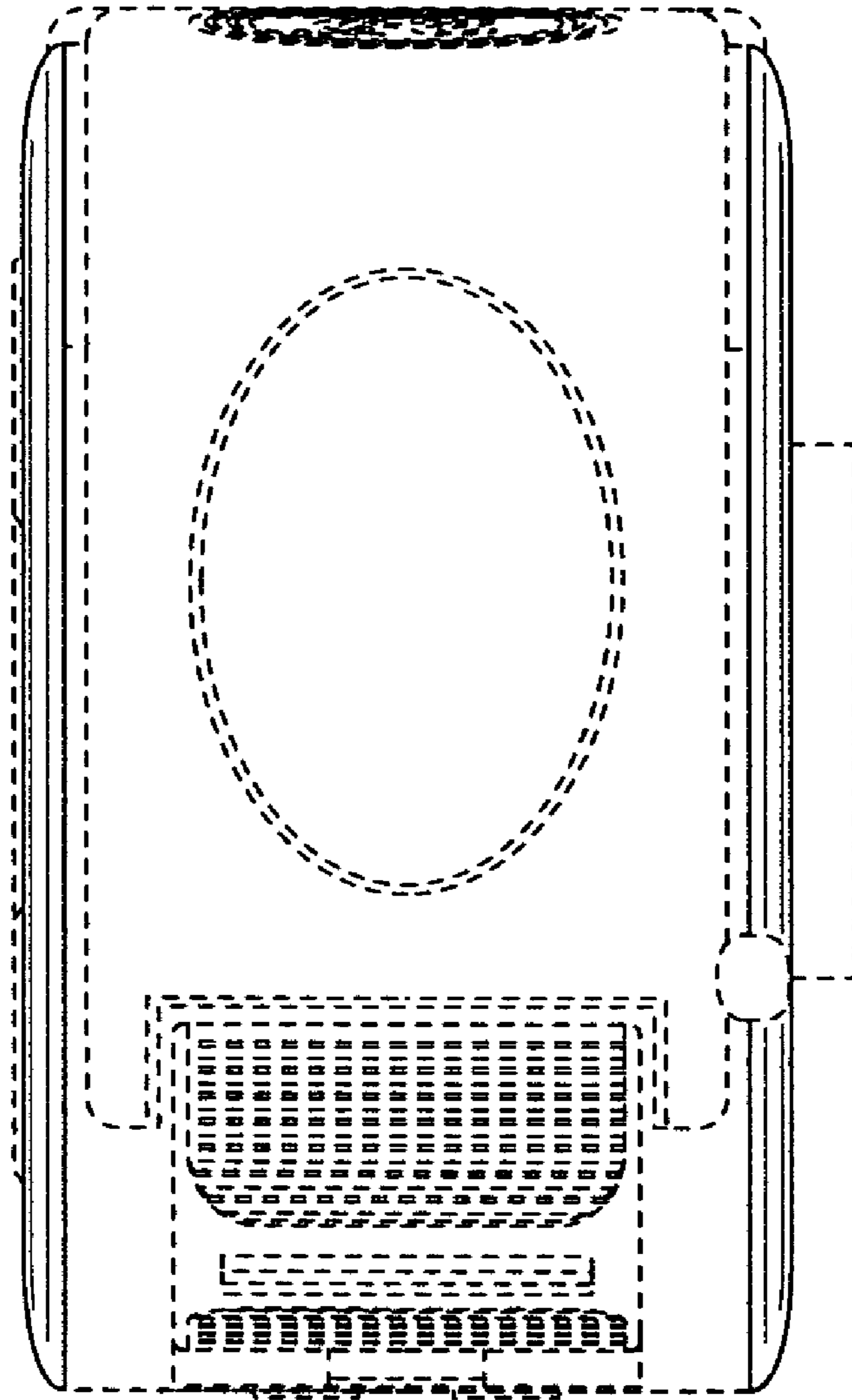


FIG. 6

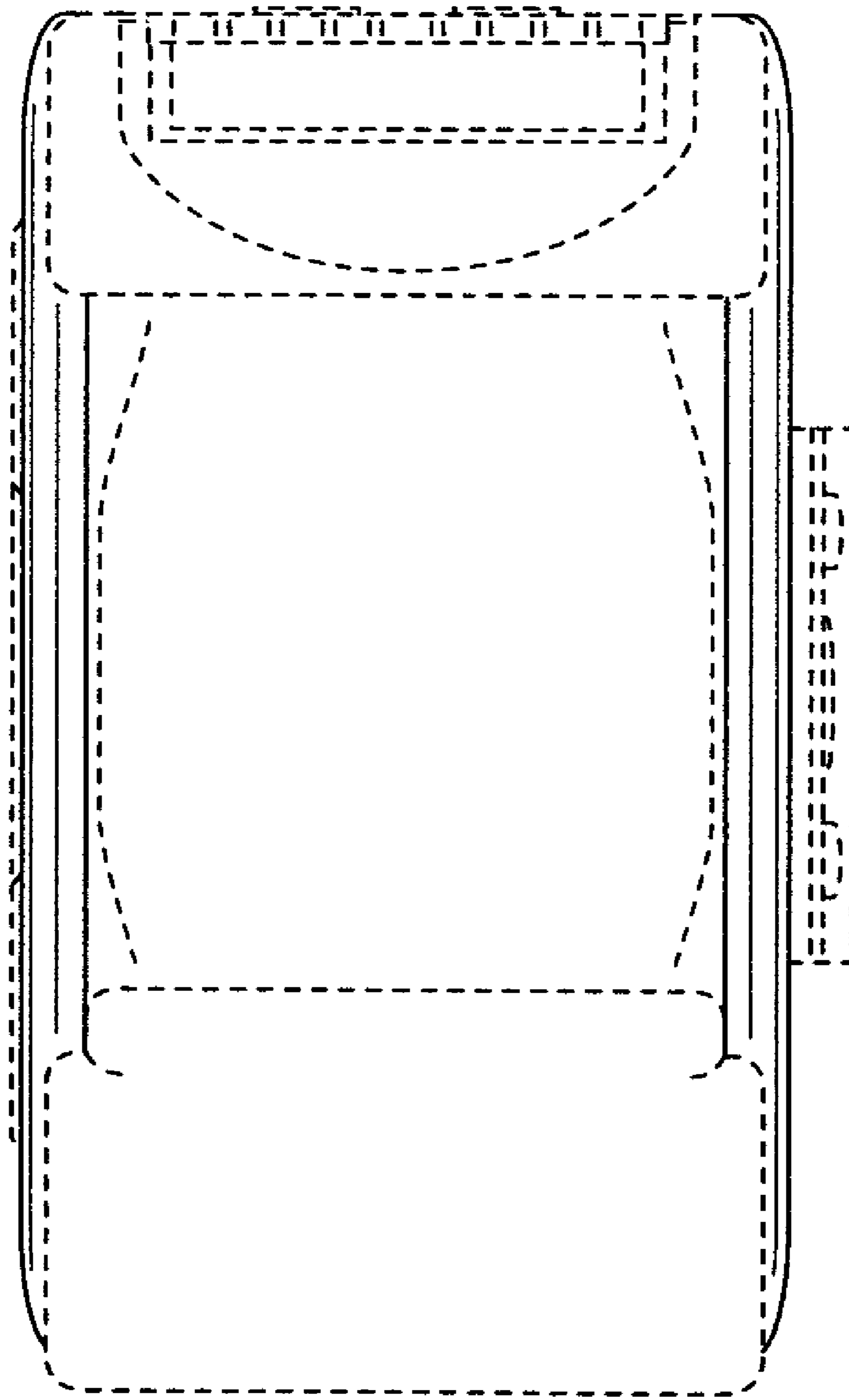


FIG. 7