



US00D653974S

(12) **United States Design Patent**  
**Capra**

(10) **Patent No.:** **US D653,974 S**

(45) **Date of Patent:** **\*\* Feb. 14, 2012**

(54) **MEASURING TAPE DEVICE**

(76) **Inventor:** **Ines Capra**, East York (CA)

(\*\*) **Term:** **14 Years**

(21) **Appl. No.:** **29/383,784**

(22) **Filed:** **Jan. 21, 2011**

(51) **LOC (9) Cl.** ..... **10-04**

(52) **U.S. Cl.** ..... **D10/72**

(58) **Field of Classification Search** ..... **D10/72,**

**D10/74; 33/755-771; 242/285, 291, 379,**

**242/379.1, 379.2, 381, 381.1-381.6, 405**

See application file for complete search history.

(56) **References Cited**

**U.S. PATENT DOCUMENTS**

2,649,787	A	8/1953	Kobayashi	
5,134,784	A	8/1992	Atienza	
D360,838	S *	8/1995	Lin	D10/72
5,440,820	A	8/1995	Hwang	
D393,221	S	4/1998	McConahay	
D432,034	S	10/2000	Heimerle	
D465,740	S	11/2002	Odachowski	
D486,085	S *	2/2004	Lee	D10/72
D504,628	S	5/2005	Weeks et al.	

7,174,656	B1	2/2007	Smith	
7,185,445	B2	3/2007	Rhead	
D562,163	S	2/2008	Covey	
7,555,845	B2	7/2009	Critelli et al.	
D614,516	S *	4/2010	Capra	D10/72
2004/0049937	A1	3/2004	Silva	

\* cited by examiner

*Primary Examiner* — Antoine D Davis

(57) **CLAIM**

The ornamental design for a measuring tape device, as shown and described.

**DESCRIPTION**

FIG. 1 is a perspective view of a measuring tape device showing my new design;

FIG. 2 is another perspective view of a measuring tape device thereof;

FIG. 3 is a side view thereof;

FIG. 4 is an opposite side view thereof;

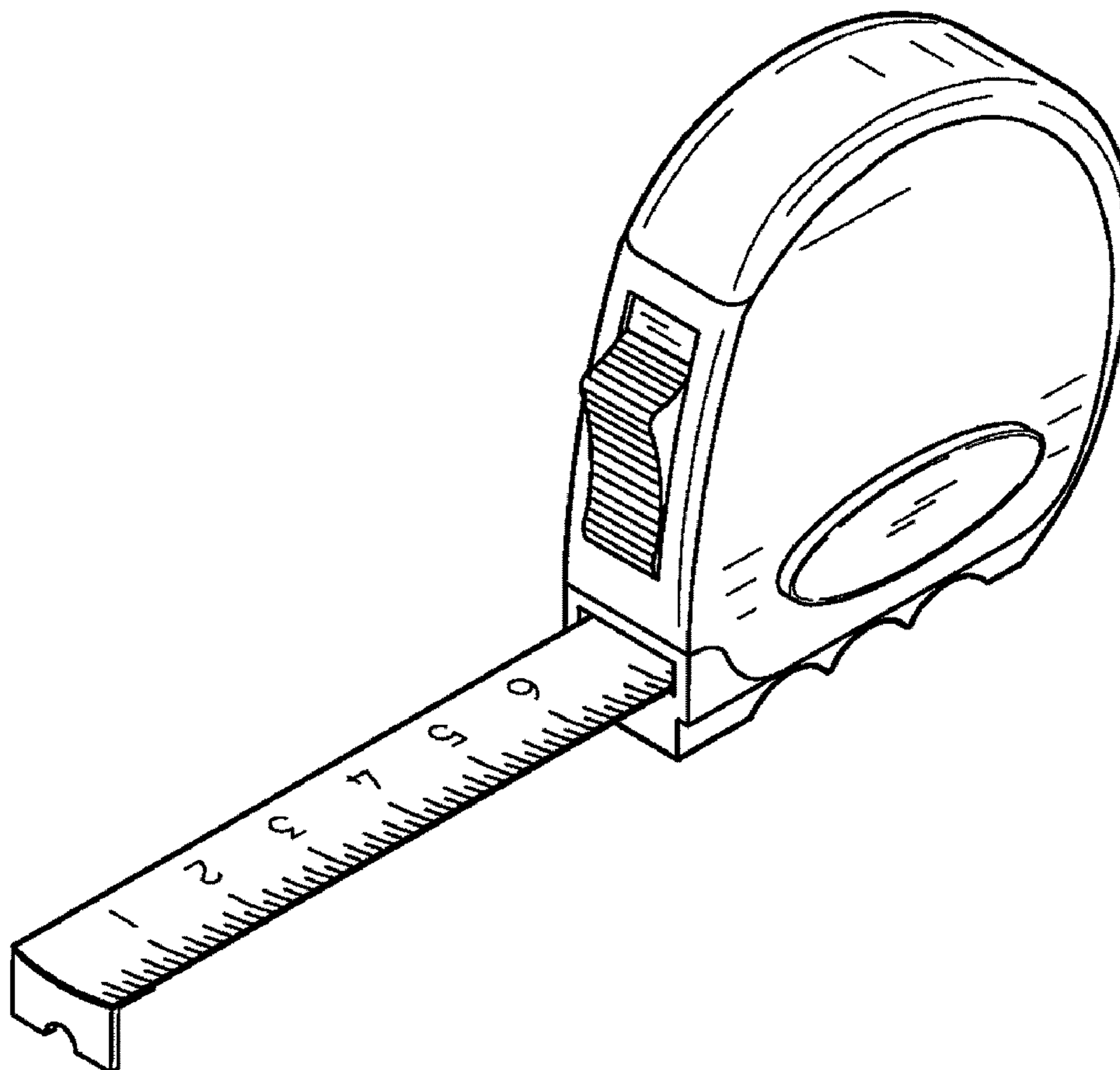
FIG. 5 is a back view thereof;

FIG. 6 is a front view thereof;

FIG. 7 is a top view thereof; and,

FIG. 8 is a bottom view thereof.

**1 Claim, 3 Drawing Sheets**



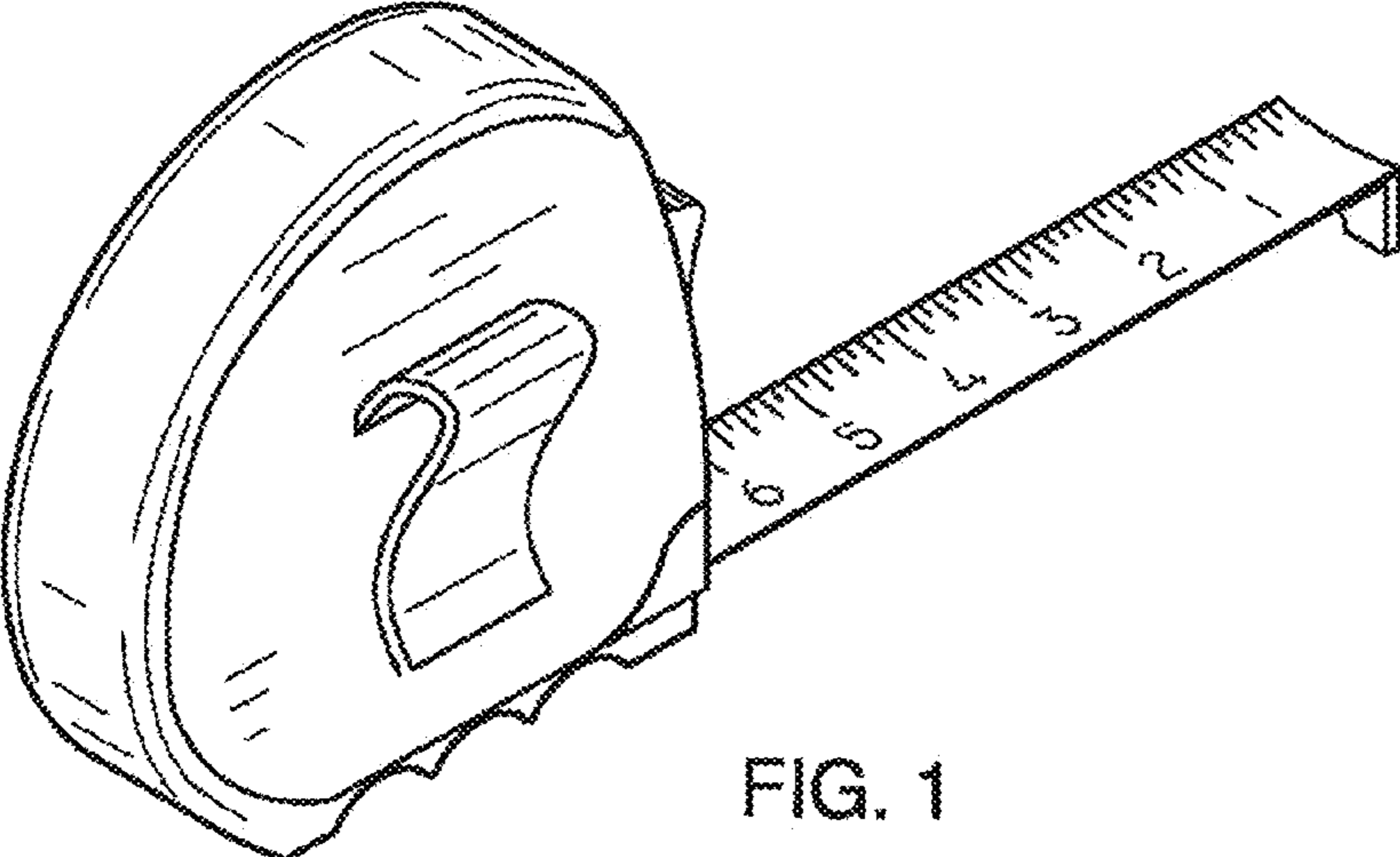


FIG. 1

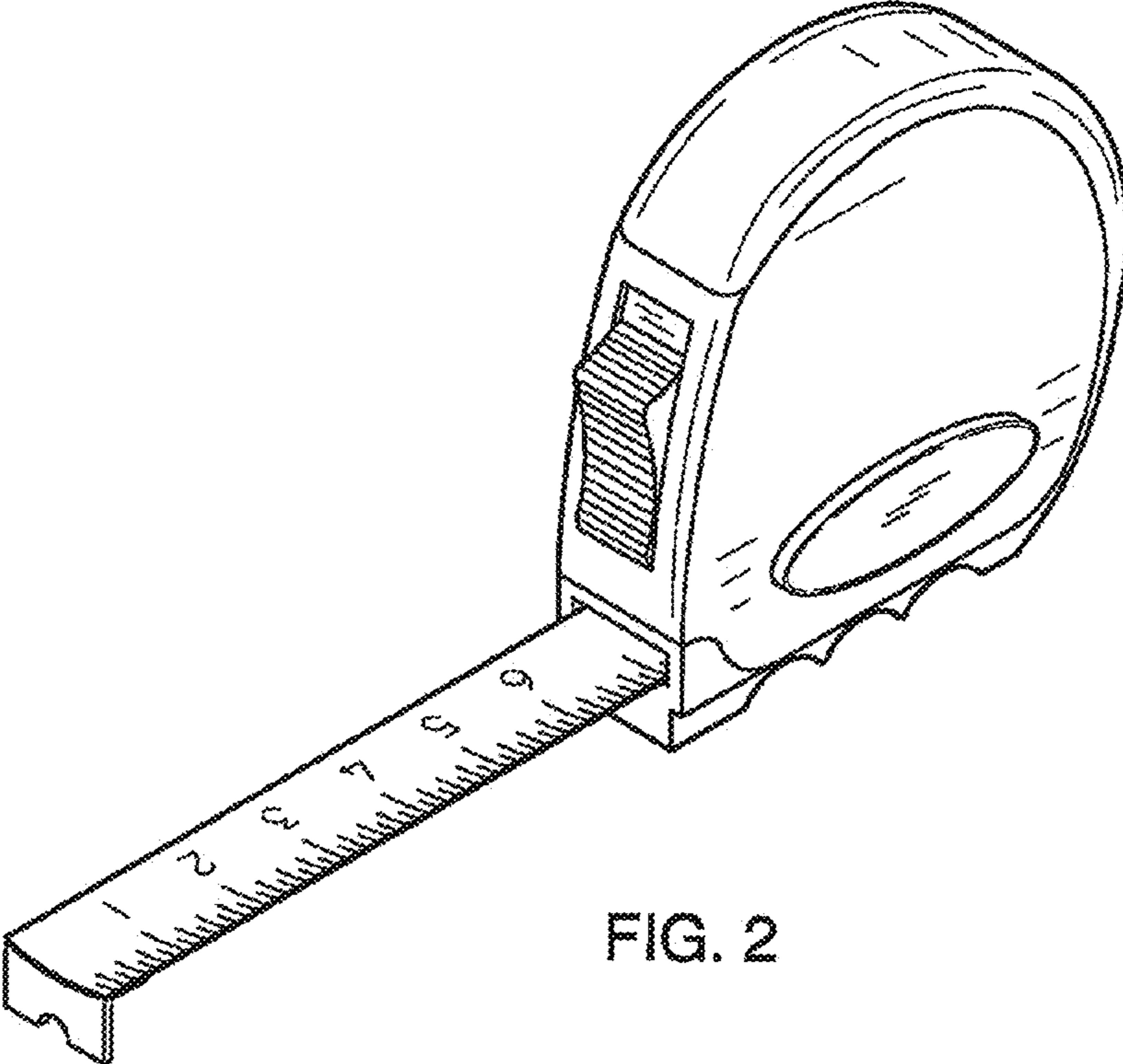


FIG. 2

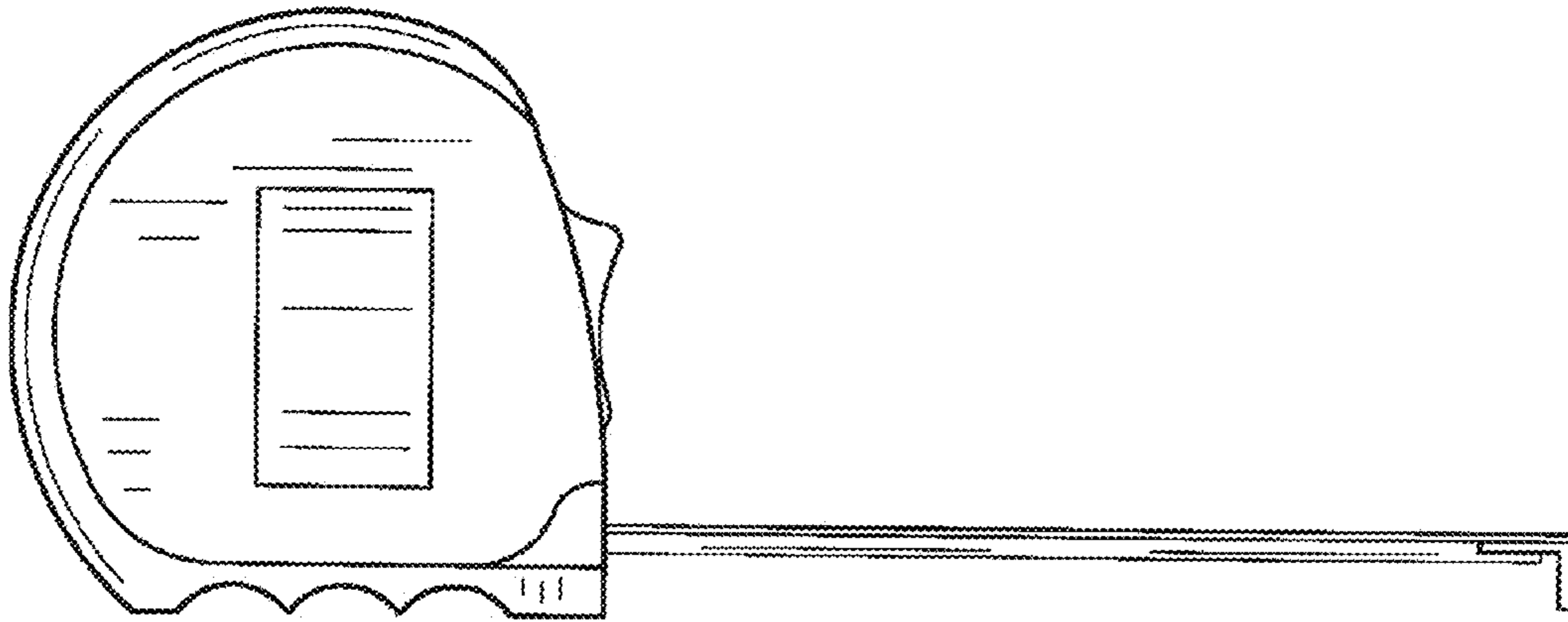


FIG. 3

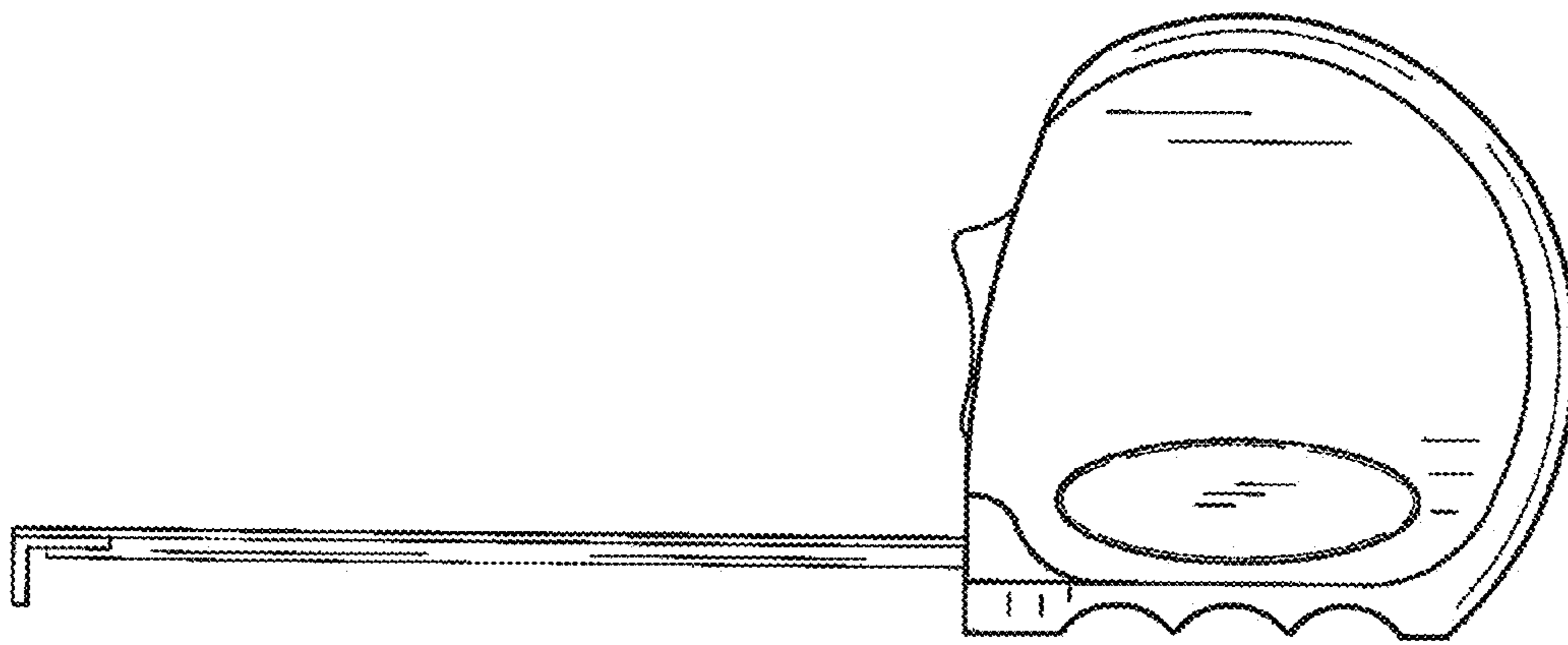


FIG. 4

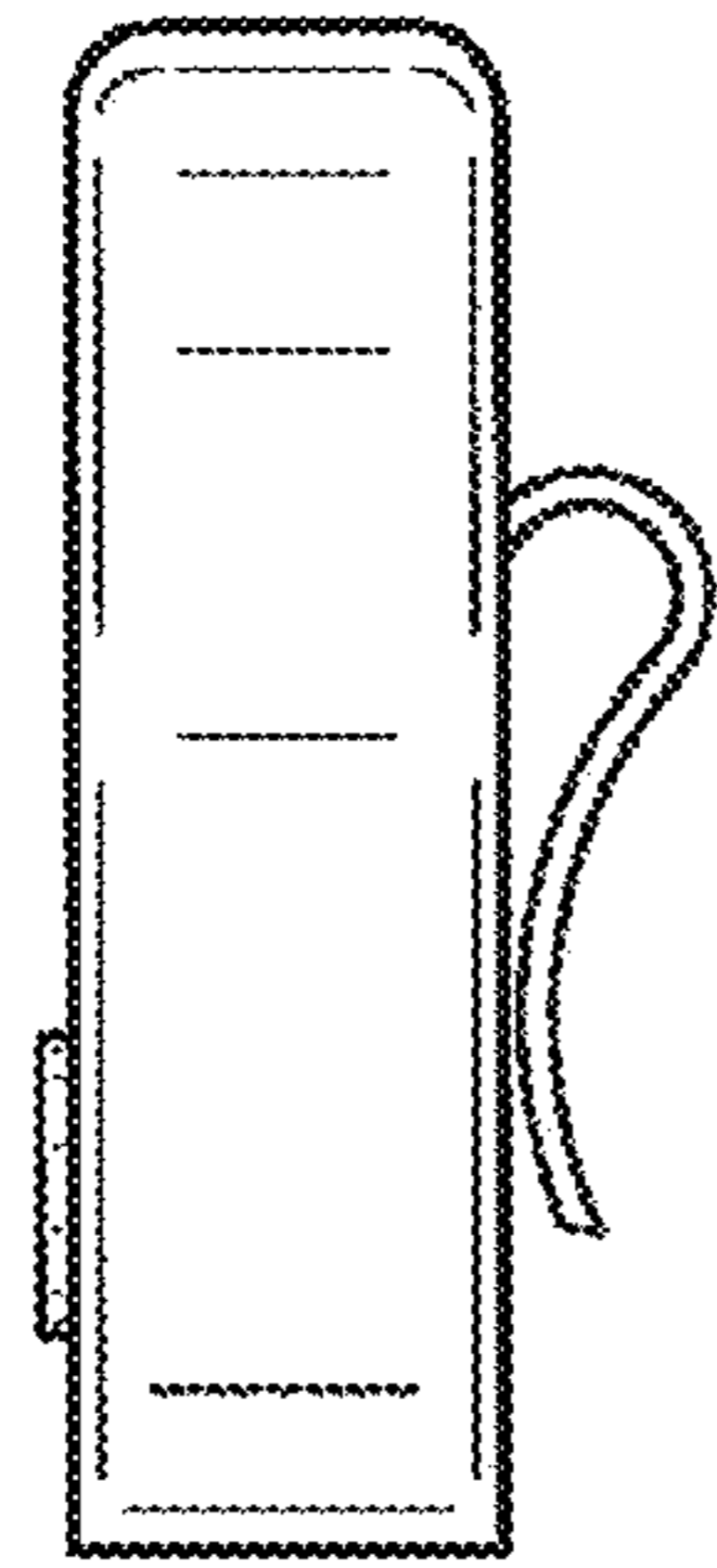


FIG. 5

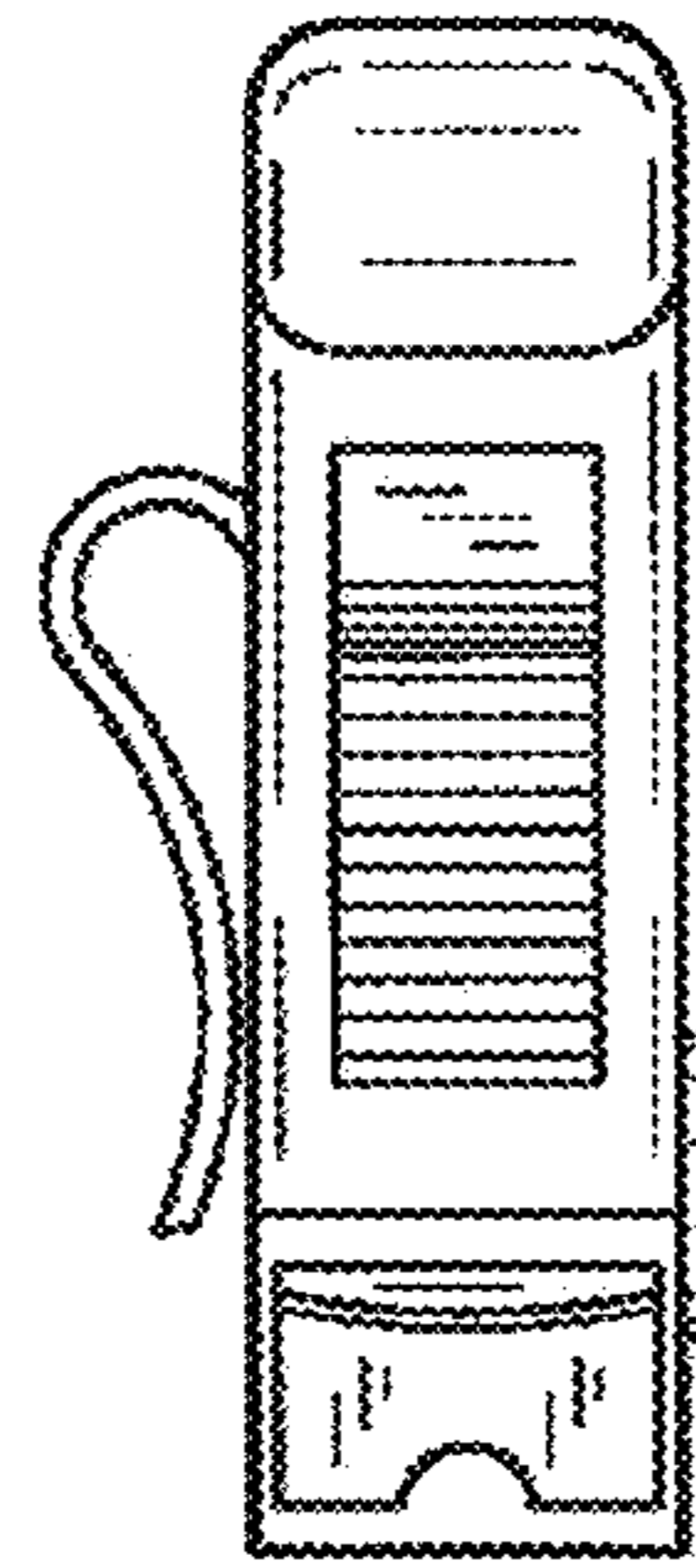


FIG. 6

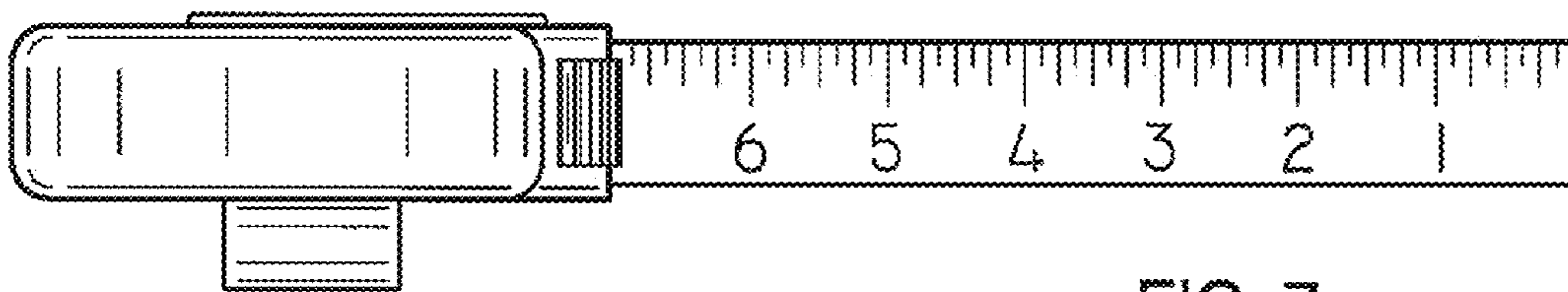


FIG. 7

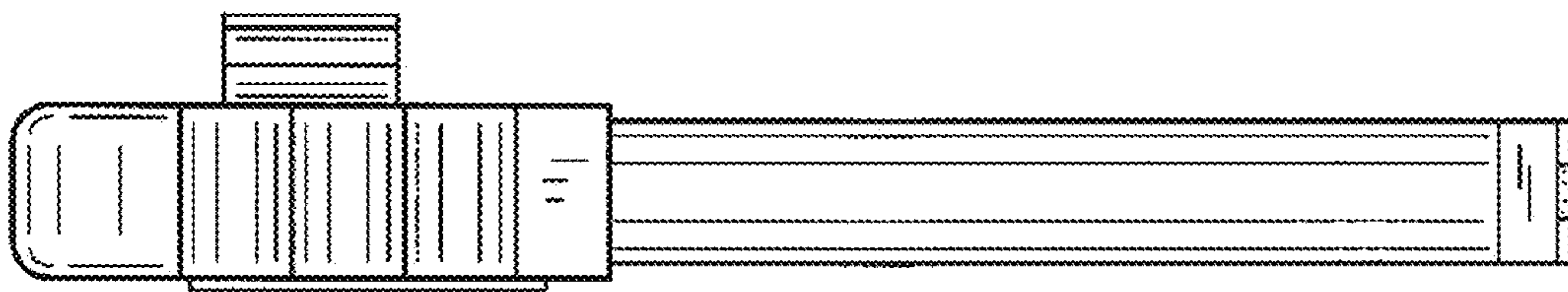


FIG. 8