



US00D653971S

(12) **United States Design Patent**
Robinson et al.

(10) **Patent No.:** **US D653,971 S**

(45) **Date of Patent:** **** Feb. 14, 2012**

(54) **TAPE MEASURING DEVICE**

(75) Inventors: **Glenn Robinson**, Coral Springs, FL
(US); **Joseph Deguglimo**, Boca Raton,
FL (US)

(73) Assignee: **IBT Holdings, LLC**, Deerfield Beach,
FL (US)

(**) Term: **14 Years**

(21) Appl. No.: **29/370,555**

(22) Filed: **Aug. 5, 2010**

(51) **LOC (9) Cl.** **10-04**

(52) **U.S. Cl.** **D10/72**

(58) **Field of Classification Search** D10/72,
D10/74; 33/755-771; 242/285, 291, 379,
242/379.1, 379.2, 381, 381.1-381.6, 405

See application file for complete search history.

(56) **References Cited**

U.S. PATENT DOCUMENTS

D442,097 S * 5/2001 Yang D10/72
D613,629 S * 4/2010 Suzuki D10/72

* cited by examiner

Primary Examiner — Antoine D Davis

(74) *Attorney, Agent, or Firm* — Dan DeLaRosa

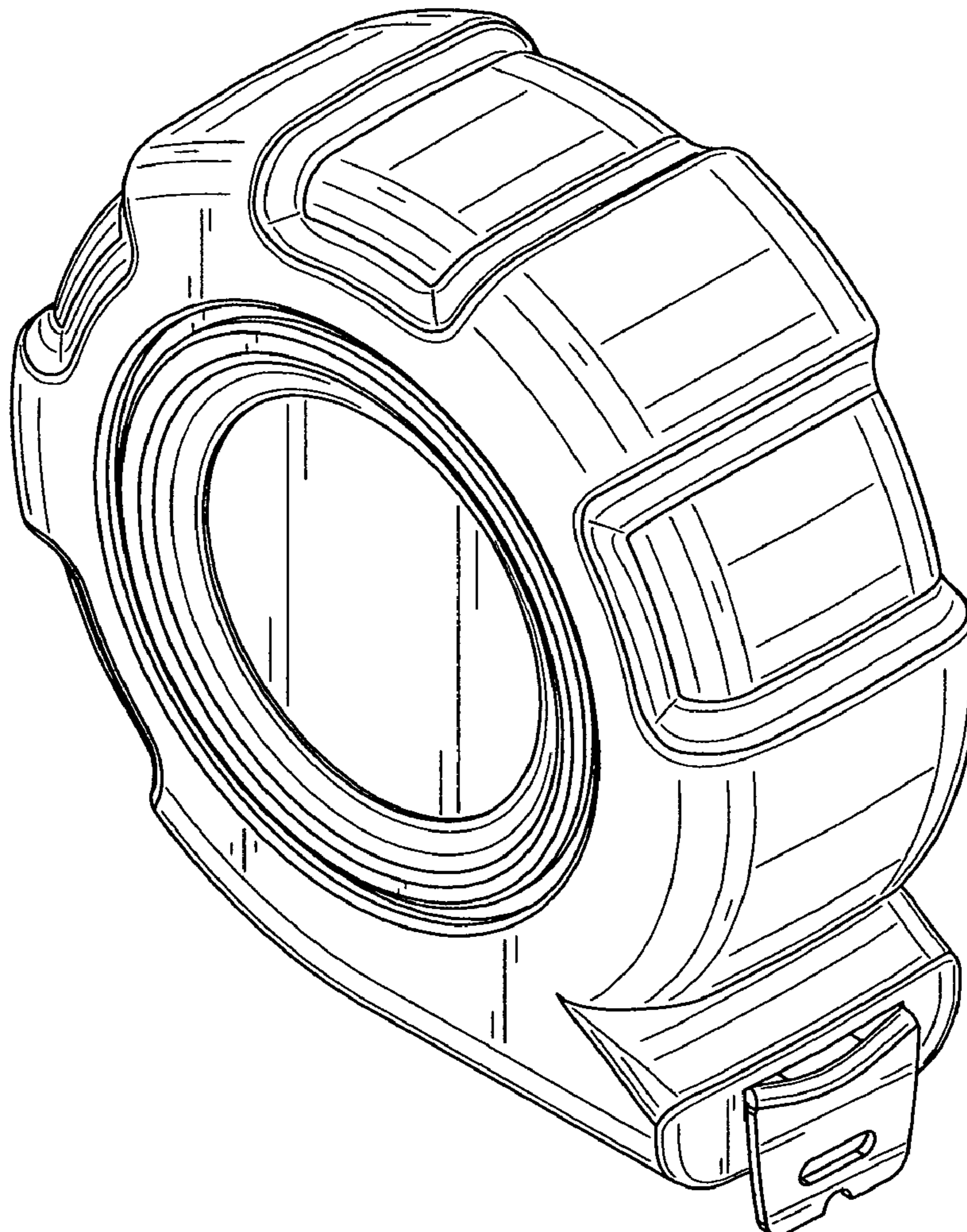
(57) **CLAIM**

The ornamental design for tape measuring device, as shown and described.

DESCRIPTION

FIG. 1 is a front perspective view of the tape measuring device of the present invention showing my new design; FIG. 2 is a back perspective view thereof; FIG. 3 is a front side elevational view thereof; FIG. 4 is a back side elevational view thereof; FIG. 5 is a side elevational view thereof; FIG. 6 is another side elevational view thereof; FIG. 7 is a top plan view thereof; and, FIG. 8 is a bottom plan view thereof.

1 Claim, 6 Drawing Sheets



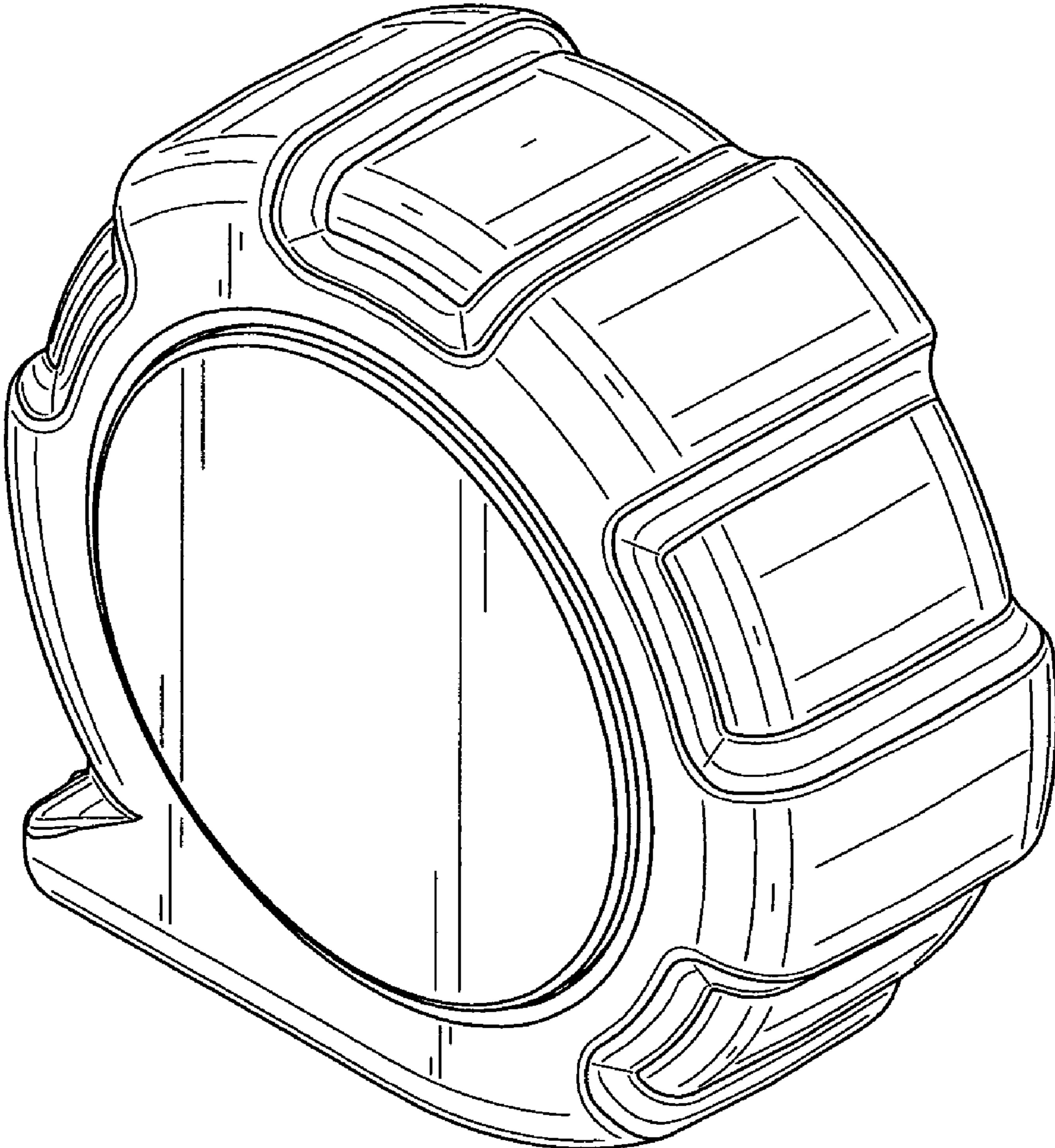


FIG. 1

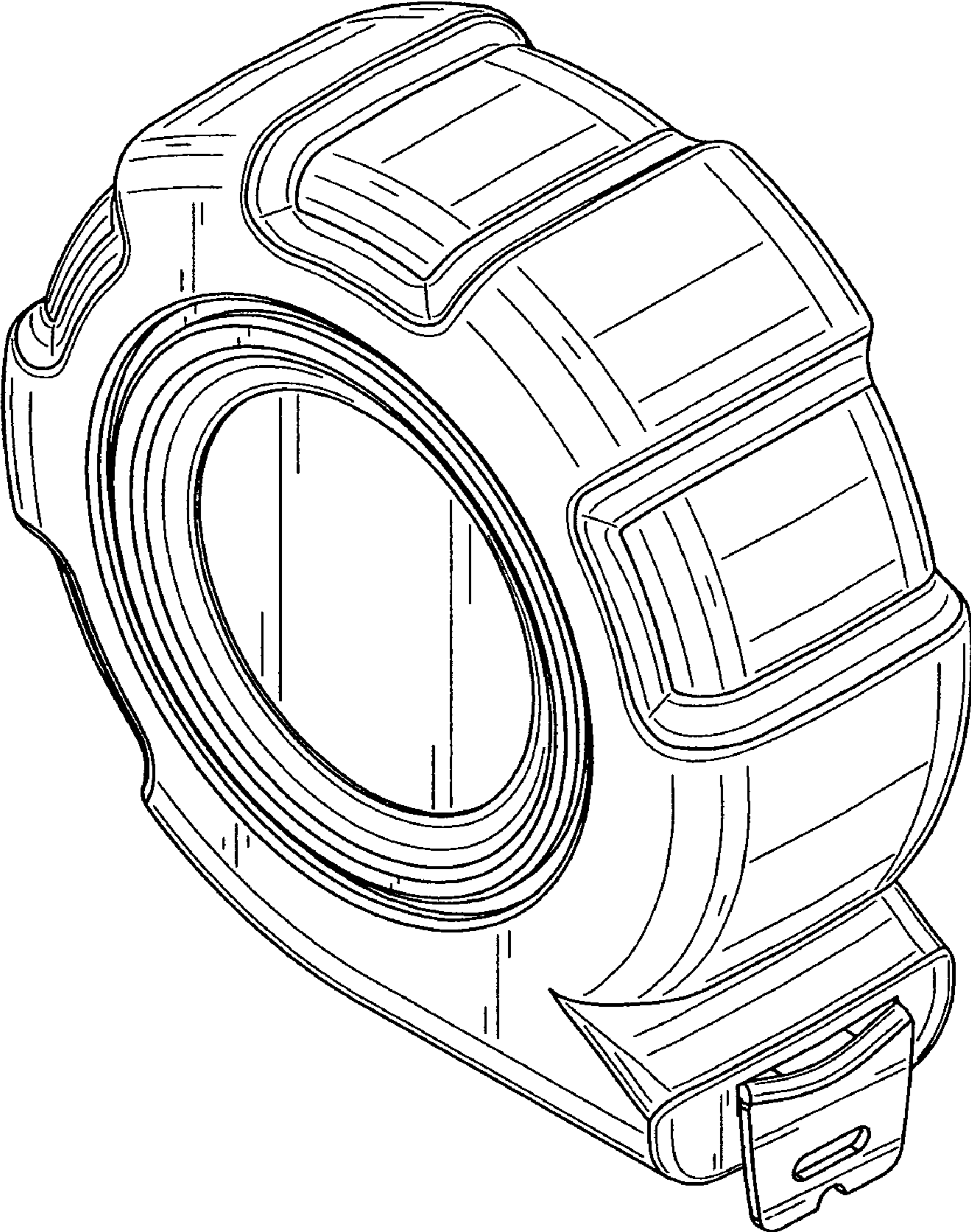


FIG. 2

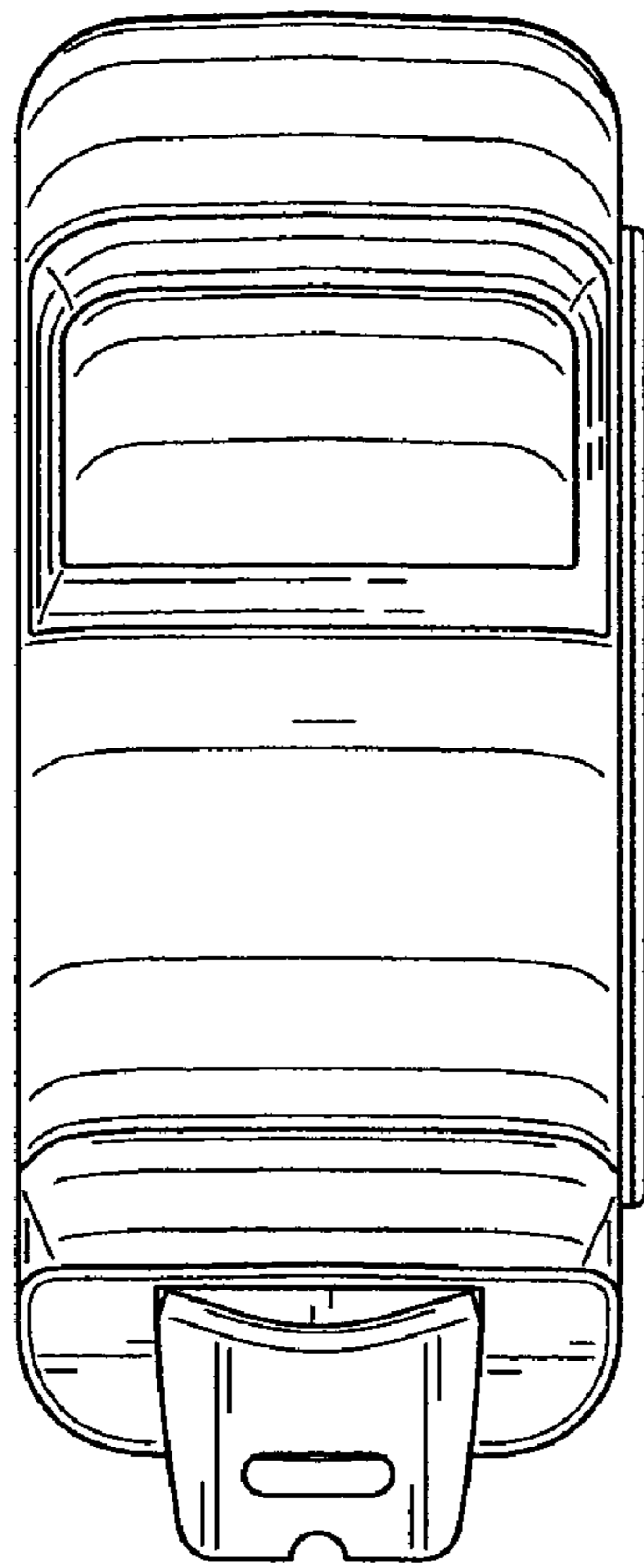


FIG. 3

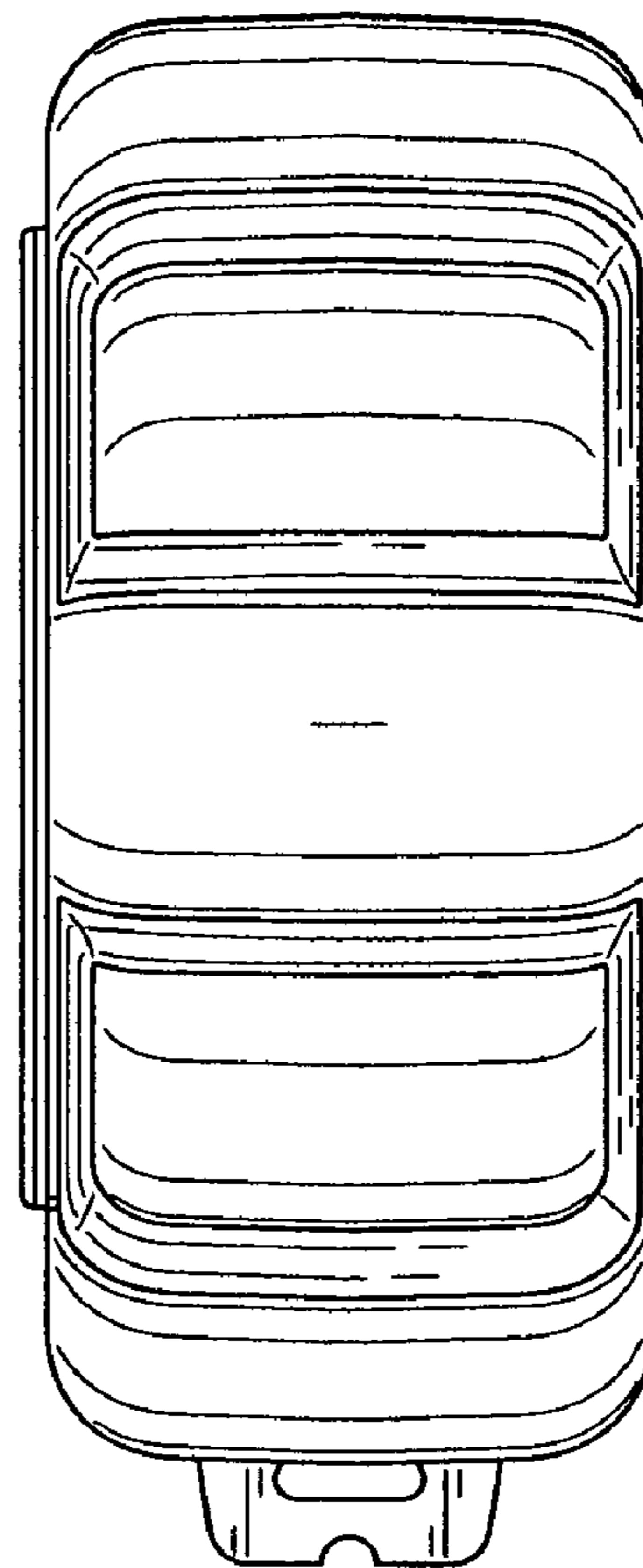


FIG. 4

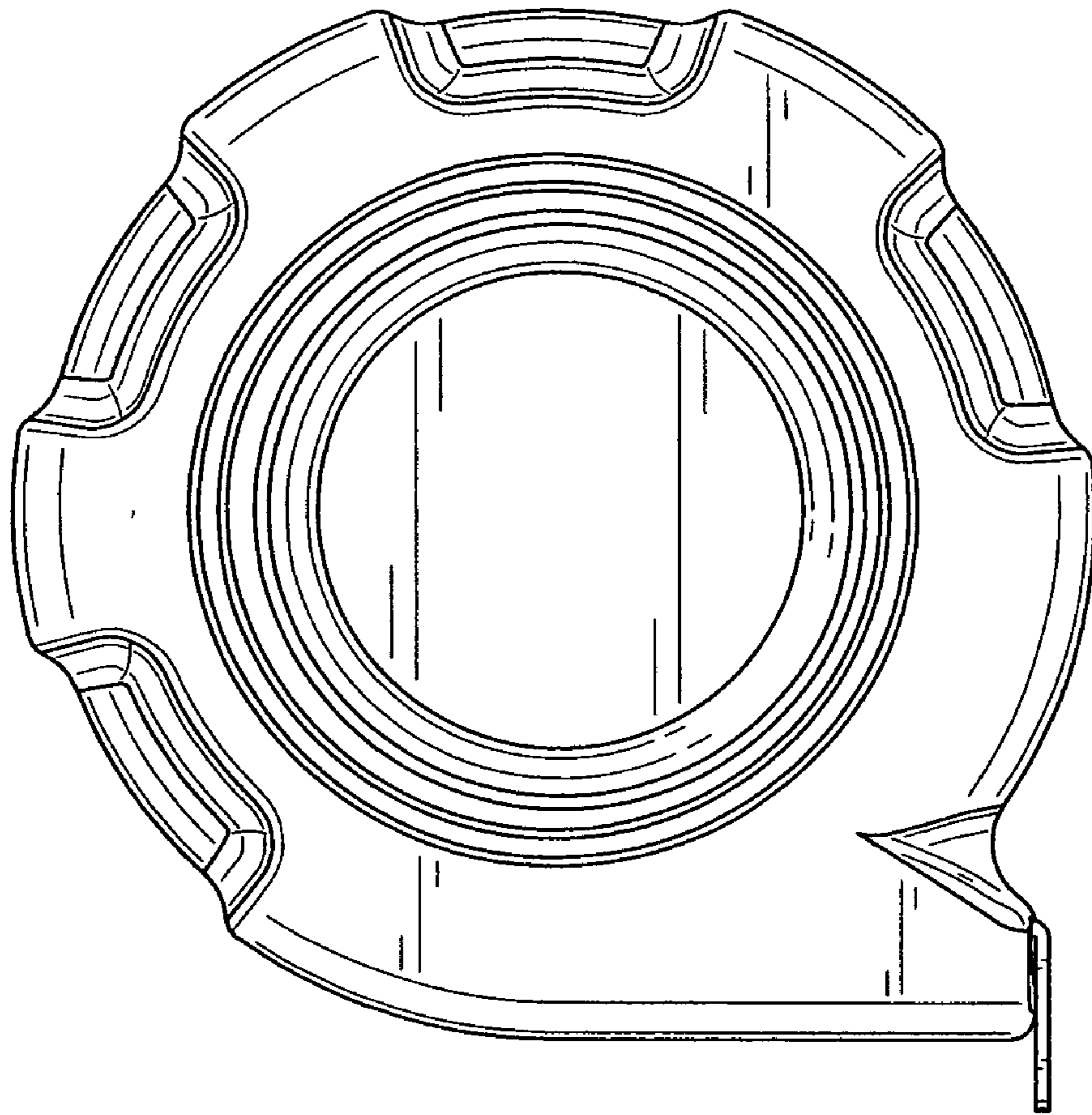


FIG. 5

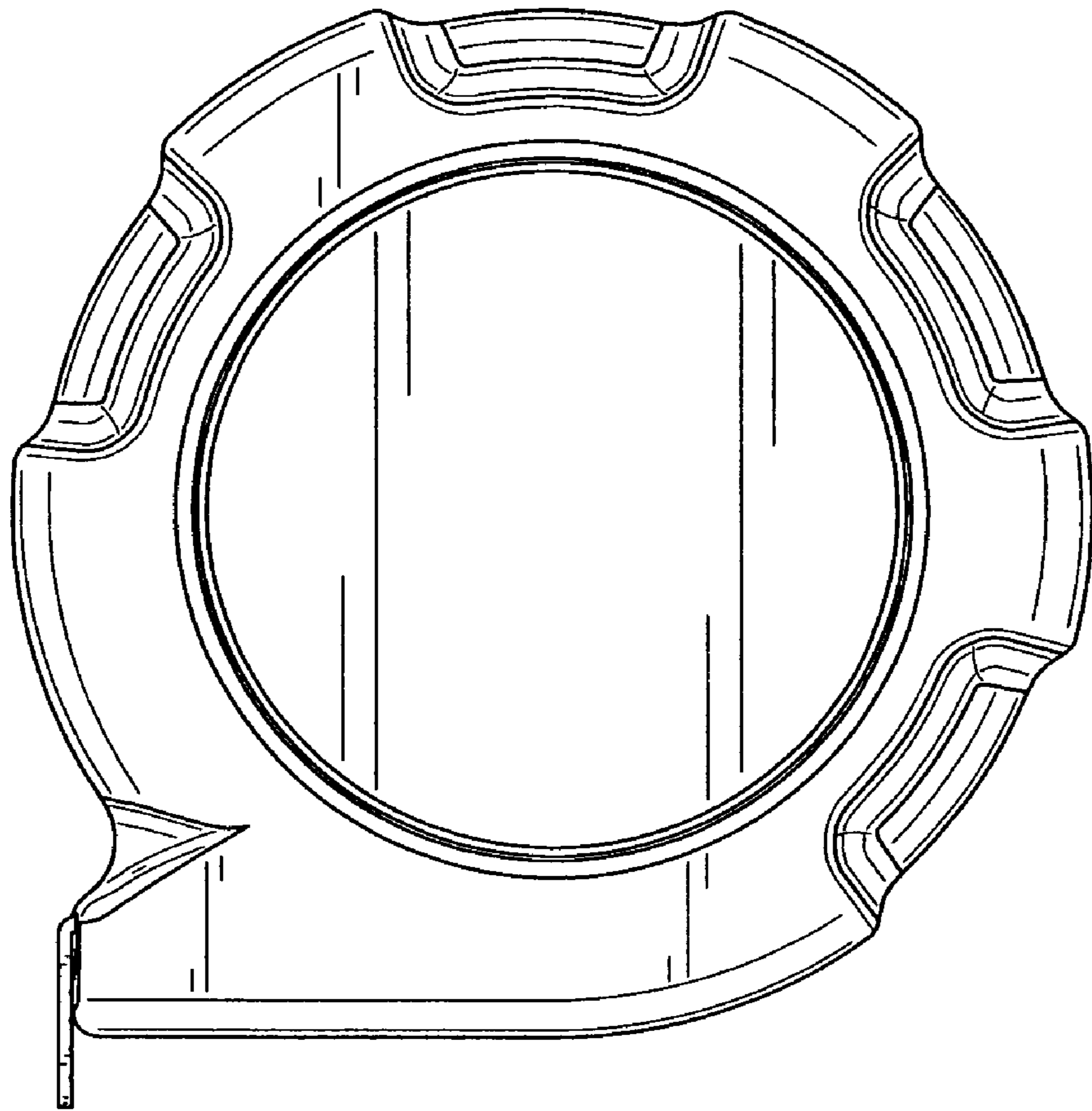


FIG. 6

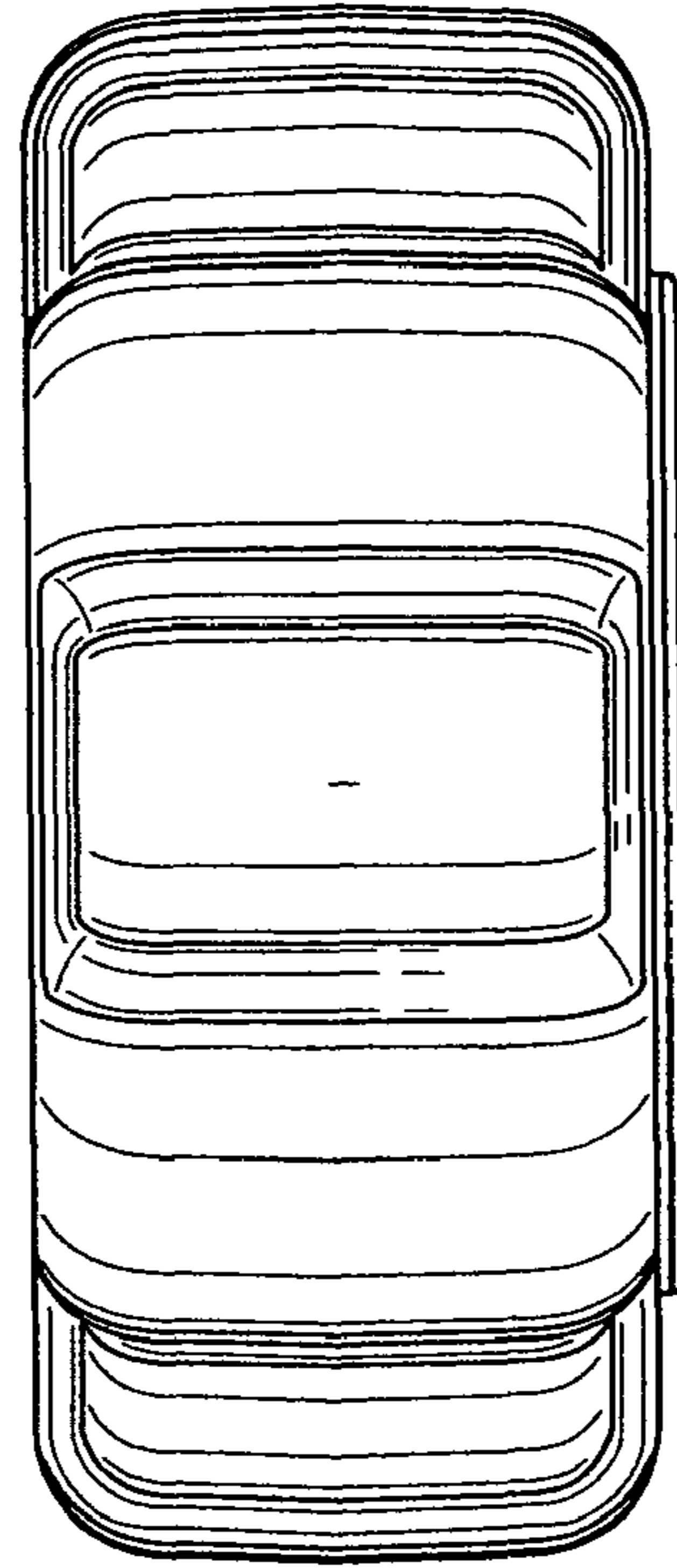


FIG. 7

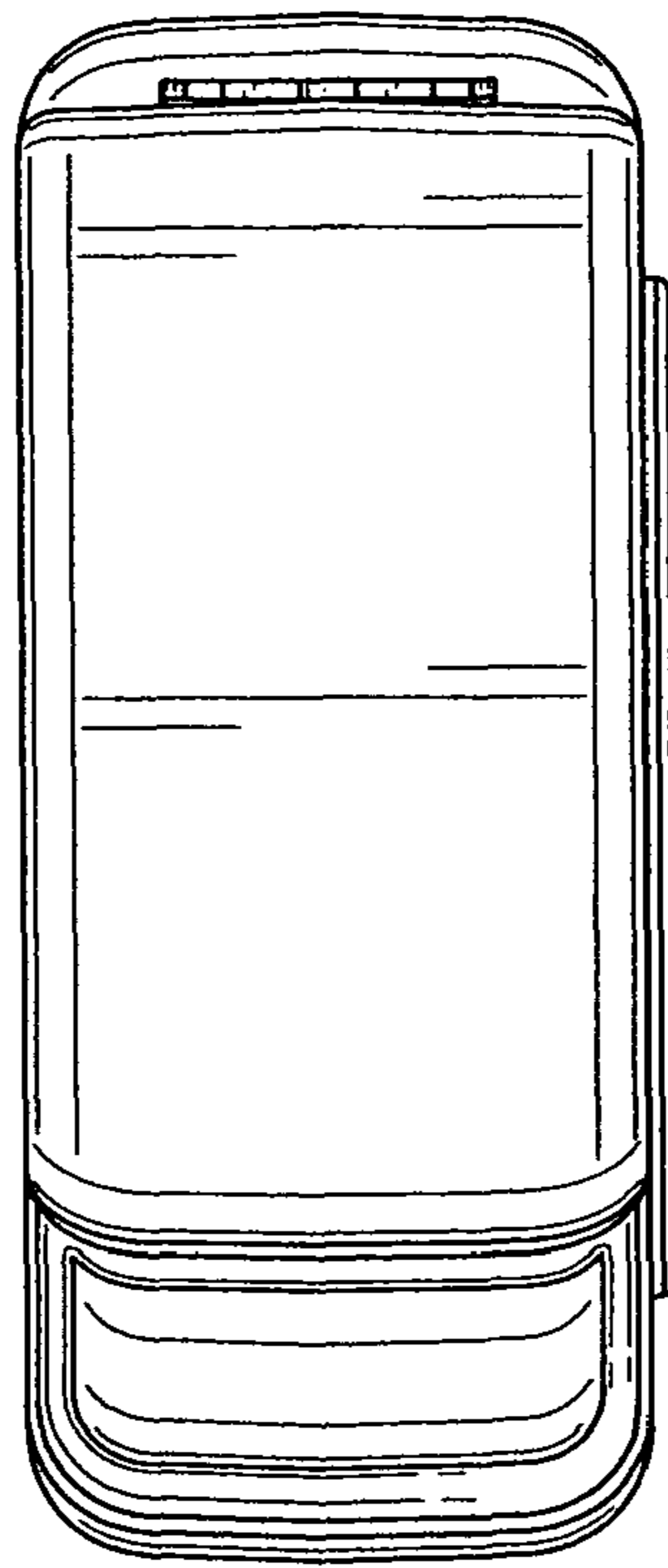


FIG. 8