



US00D653970S

(12) **United States Design Patent**  
**Robinson et al.**

(10) **Patent No.:** **US D653,970 S**

(45) **Date of Patent:** **\*\* Feb. 14, 2012**

(54) **TAPE MEASURING DEVICE**

(75) Inventors: **Glenn Robinson**, Coral Springs, FL  
(US); **Michael Garcia**, Coral Springs,  
FL (US)

(73) Assignee: **IBT Holdings, LLC**, Deerfield Beach,  
FL (US)

(\*\*) Term: **14 Years**

(21) Appl. No.: **29/370,161**

(22) Filed: **Jun. 14, 2010**

(51) **LOC (9) Cl.** ..... **10-04**

(52) **U.S. Cl.** ..... **D10/72**

(58) **Field of Classification Search** ..... D10/72,  
D10/74; 33/755-771; 242/285, 291, 379,  
242/379.1, 379.2, 381, 381.1-381.6, 405

See application file for complete search history.

(56) **References Cited**

U.S. PATENT DOCUMENTS

D556,063 S \* 11/2007 Chue ..... D10/72  
D615,890 S \* 5/2010 Krebs et al. .... D10/72  
D638,321 S \* 5/2011 Herrera ..... D10/72

\* cited by examiner

*Primary Examiner* — Antoine D Davis

(74) *Attorney, Agent, or Firm* — Dan DeLaRosa

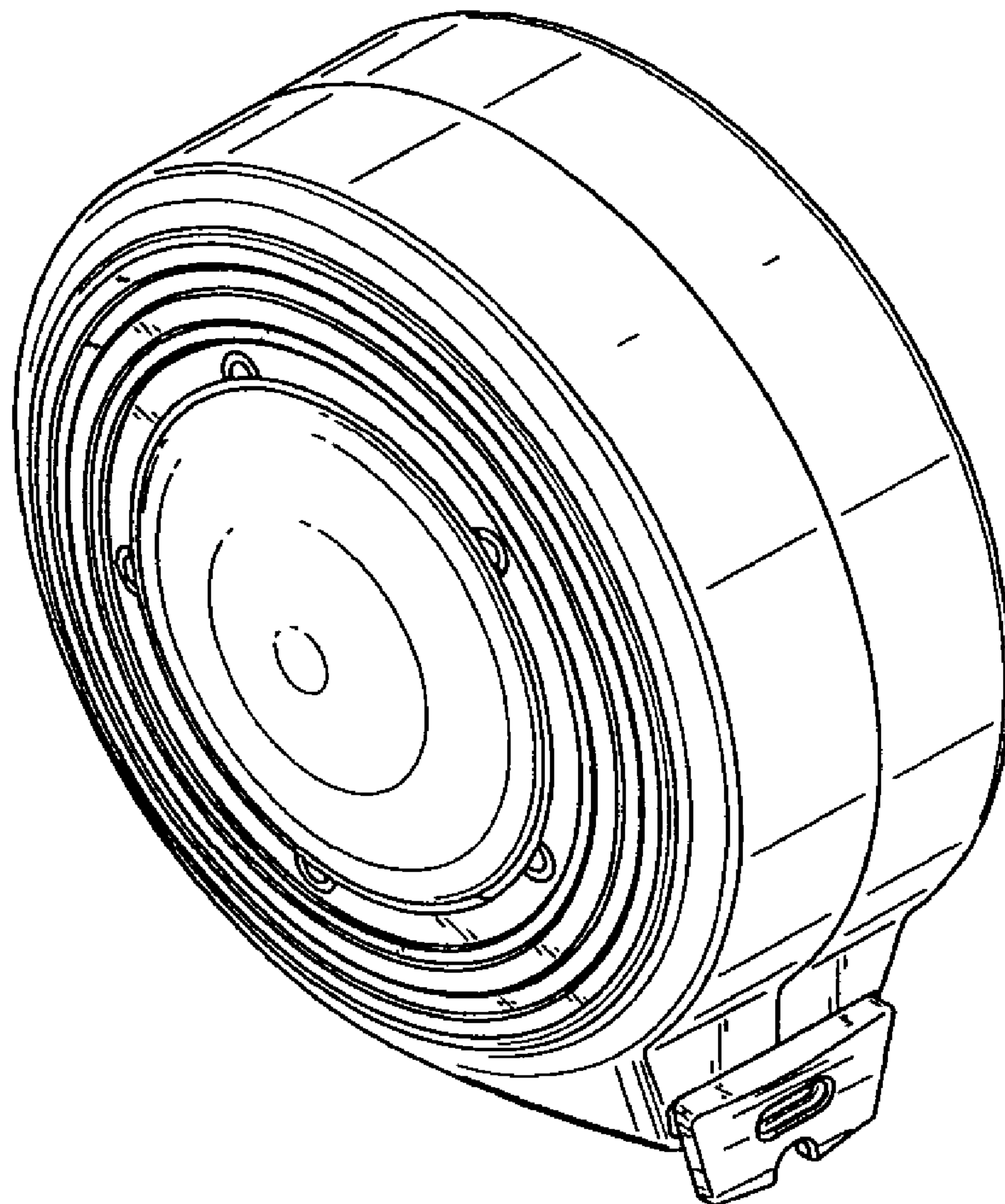
(57) **CLAIM**

The ornamental design for a tape measuring device, as shown and described.

**DESCRIPTION**

FIG. 1 is a front perspective view of the tape measuring device of the present invention showing my new design; FIG. 2 is a front elevational view thereof; FIG. 3 is a rear elevational view thereof; FIG. 4 is a side elevational view thereof; FIG. 5 is another side elevational view thereof; FIG. 6 is a top plan view thereof; FIG. 7 is a bottom plan view thereof; and, FIG. 8 is a rear perspective view of the tape measuring device.

**1 Claim, 5 Drawing Sheets**



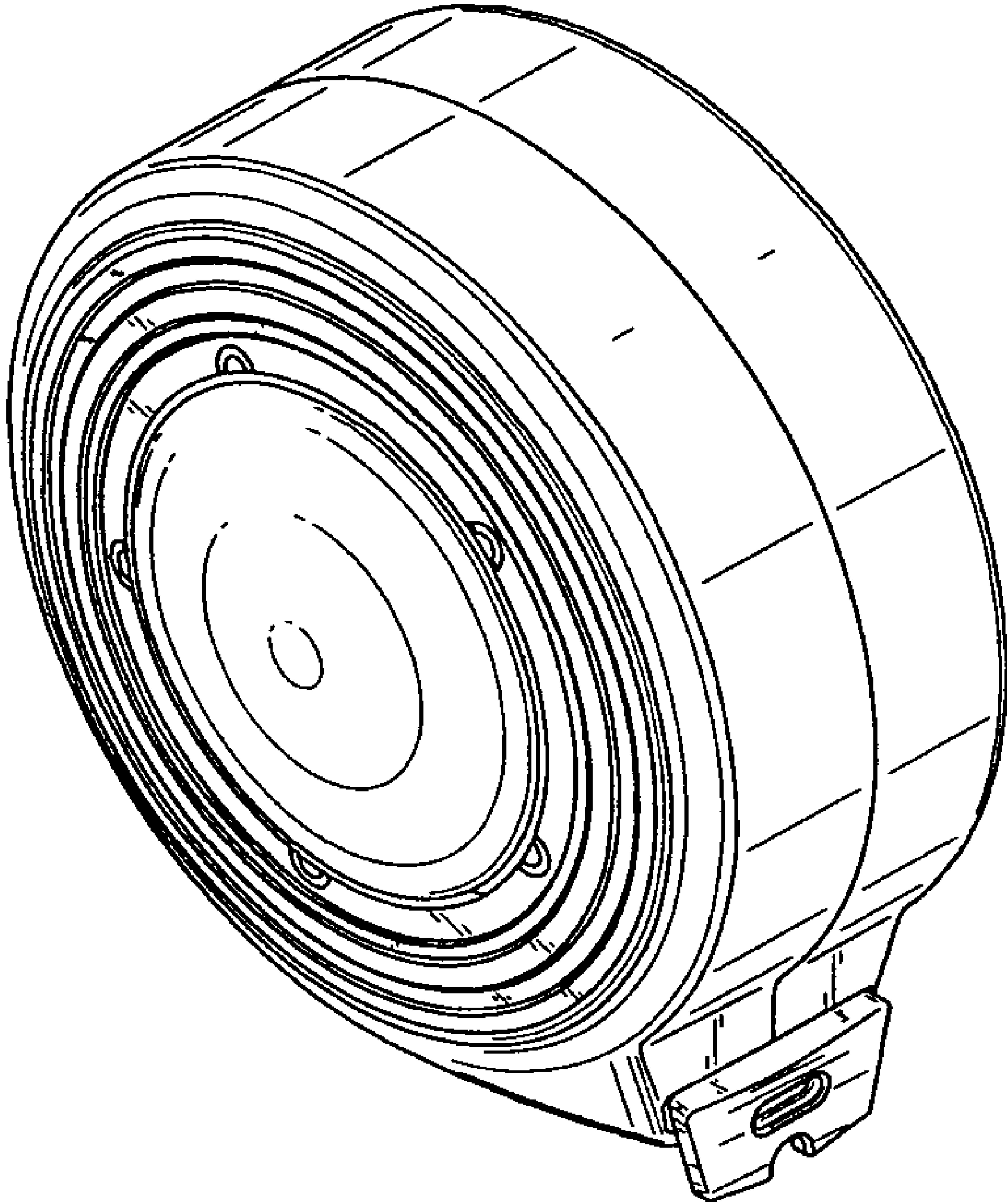


FIG. 1

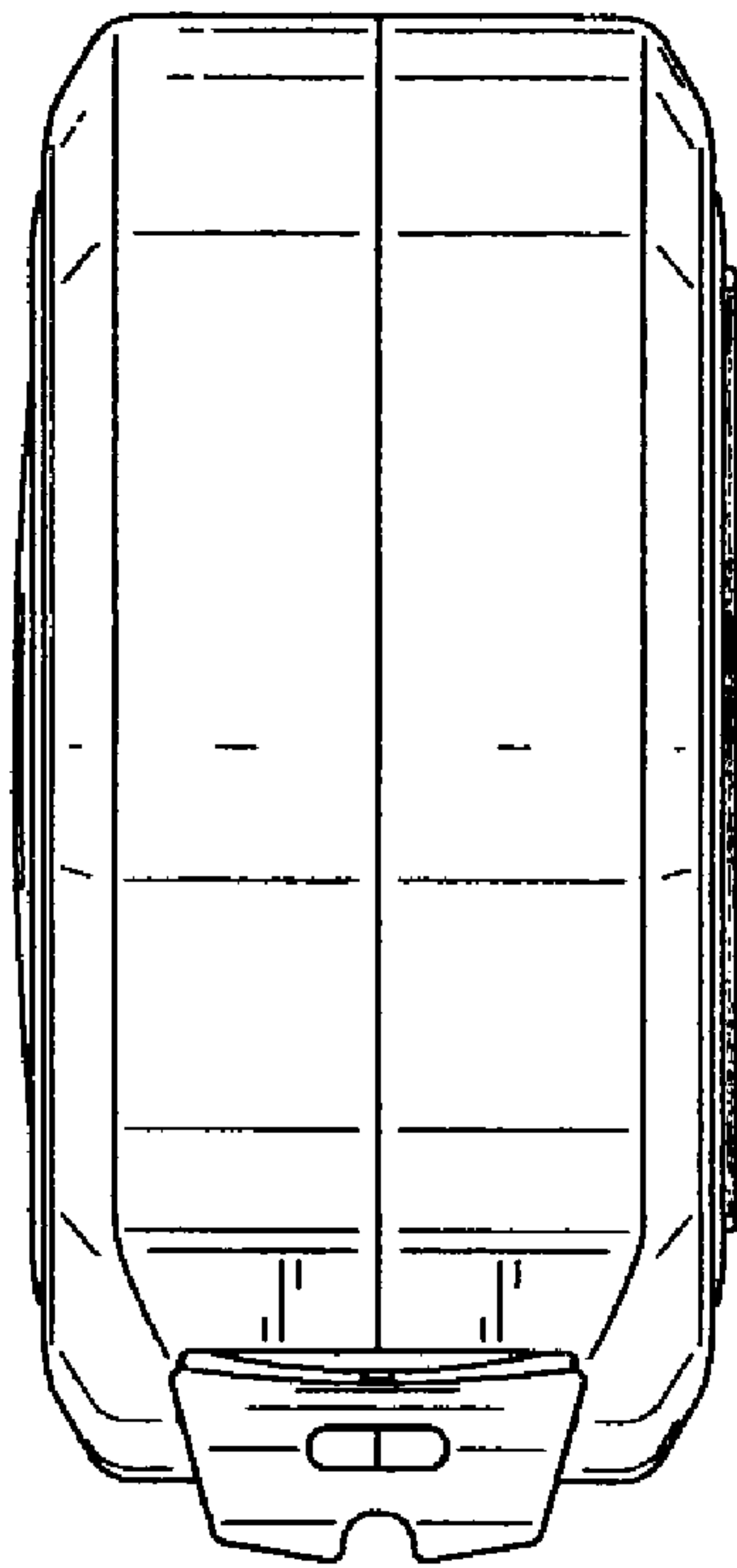


FIG. 2

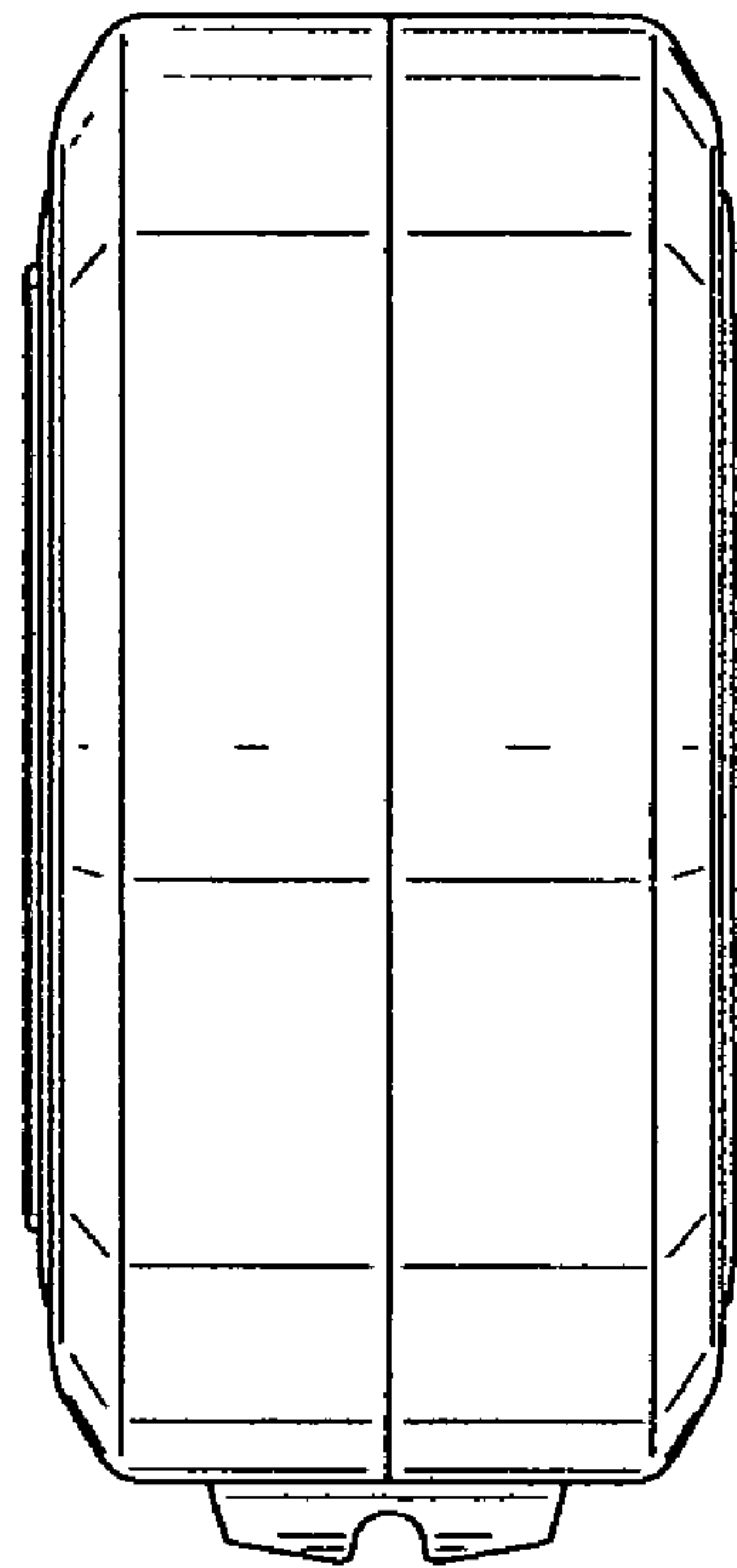


FIG. 3

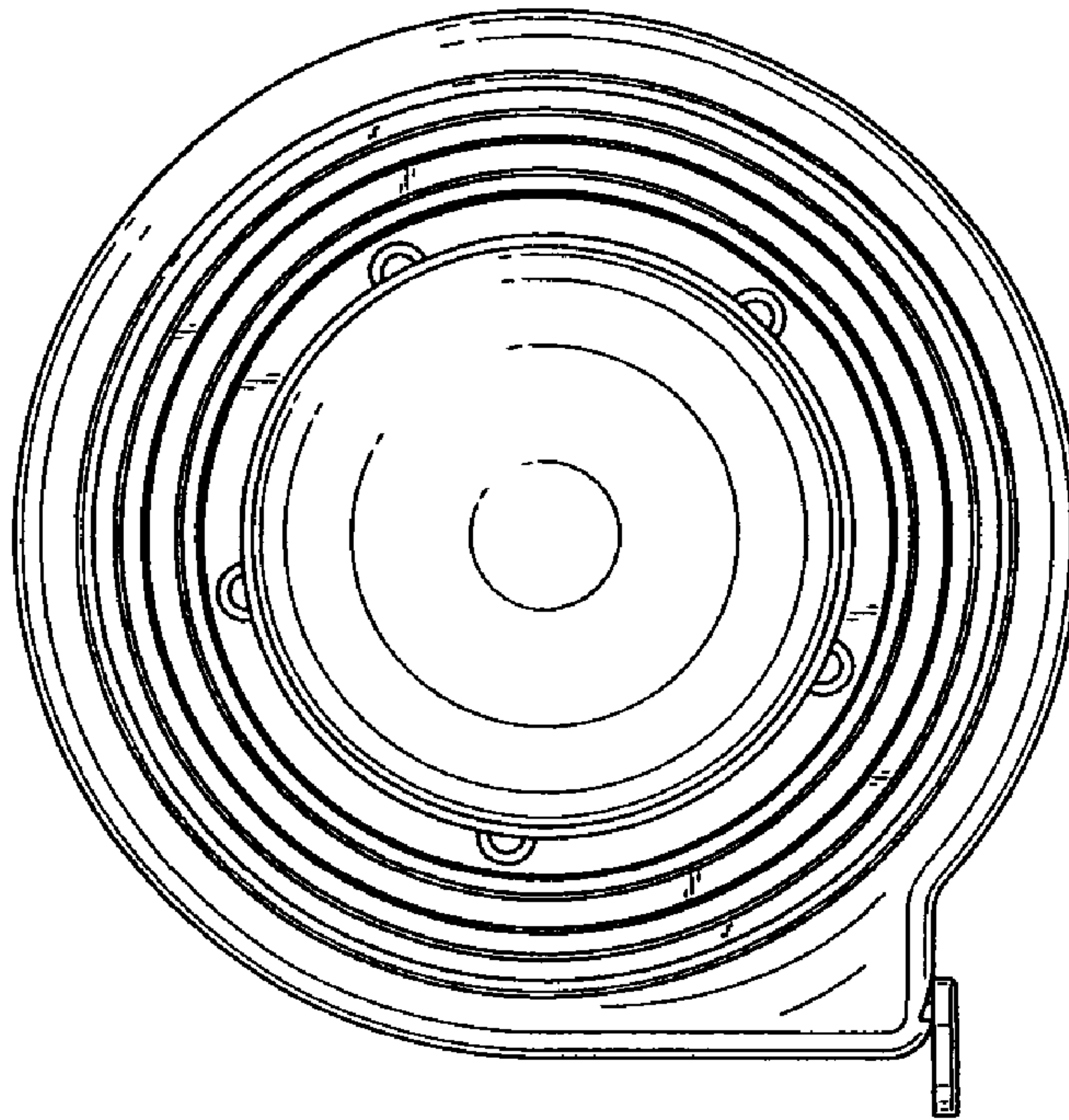


FIG. 4

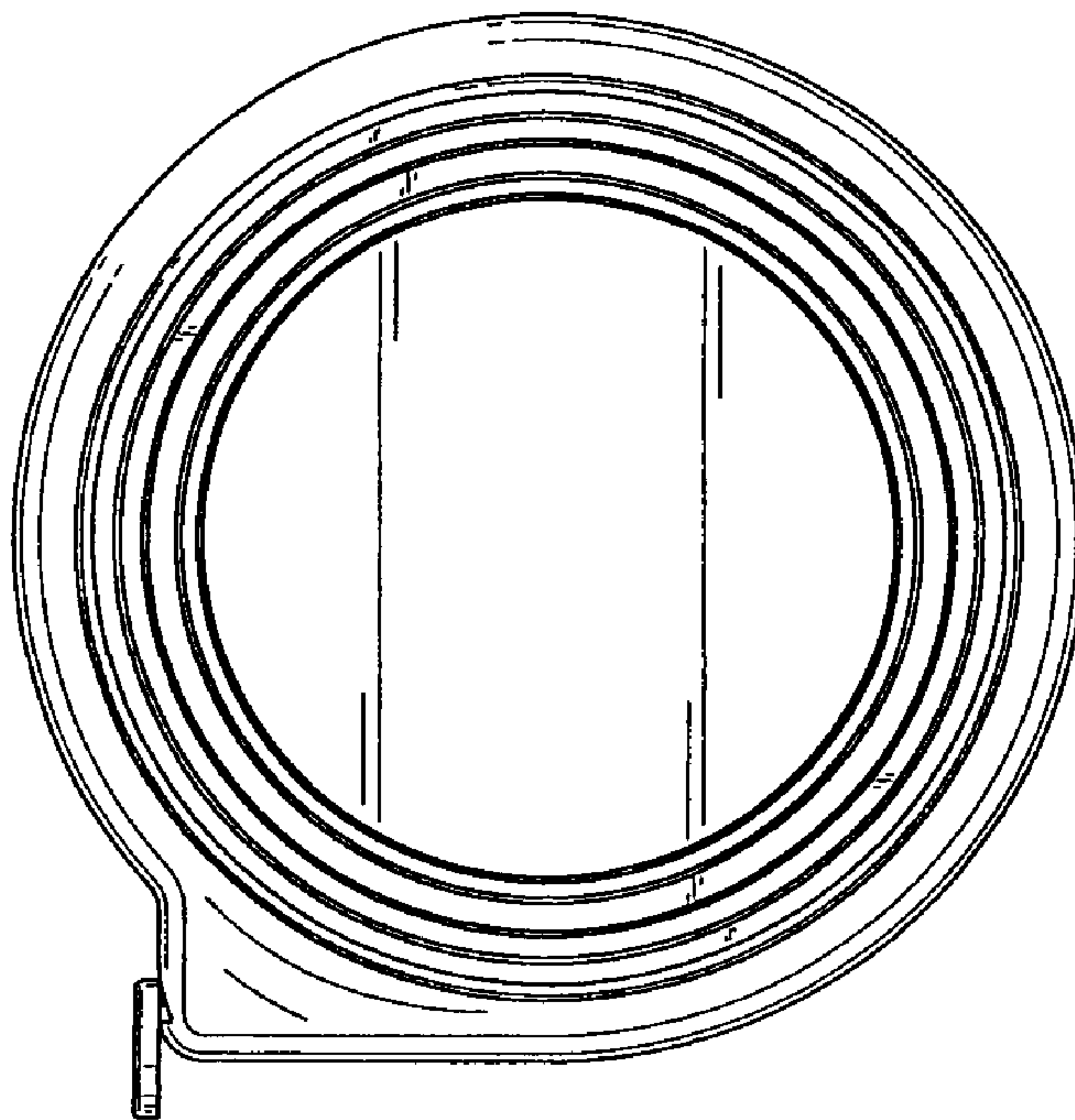


FIG. 5

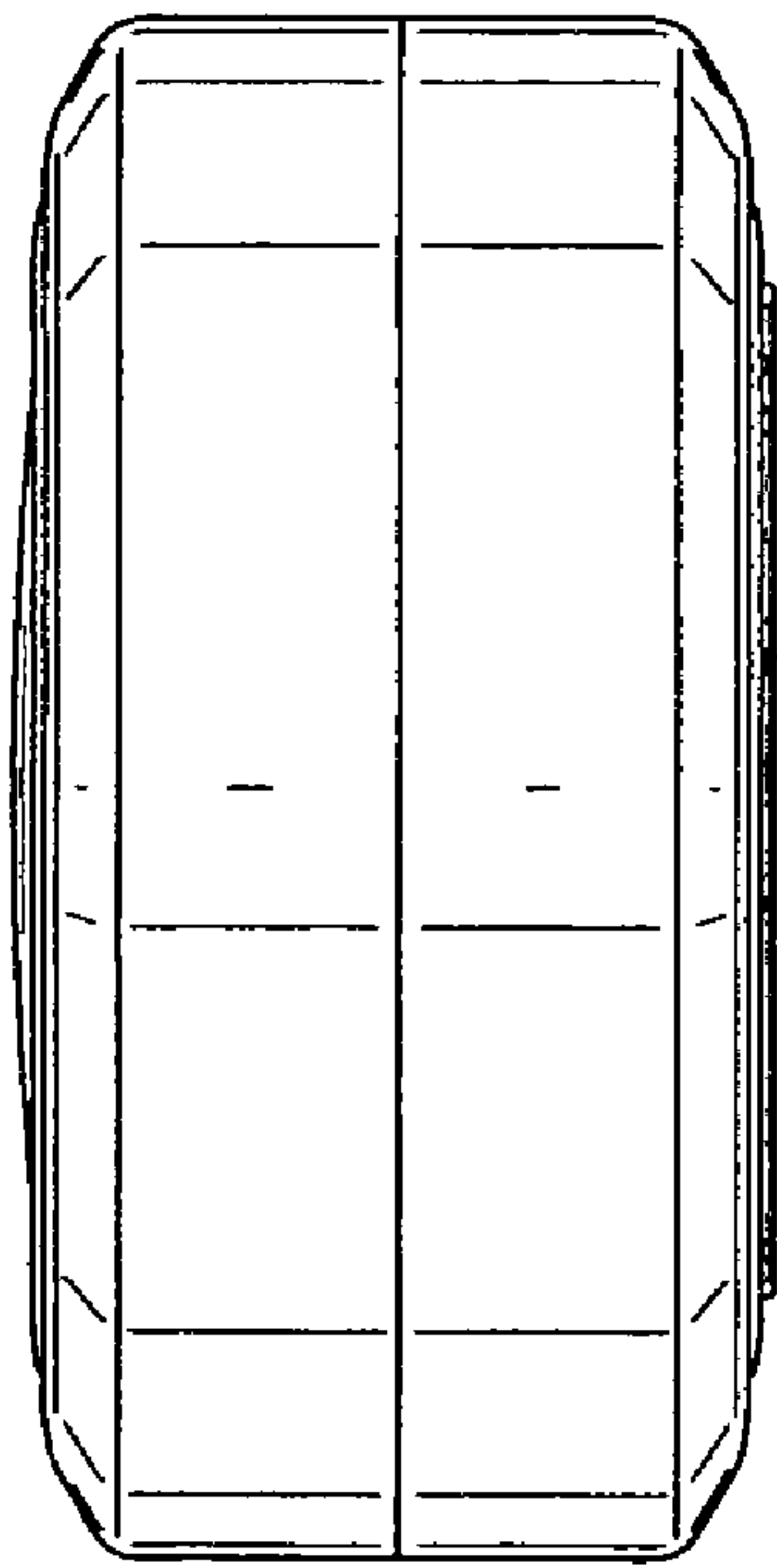


FIG. 6

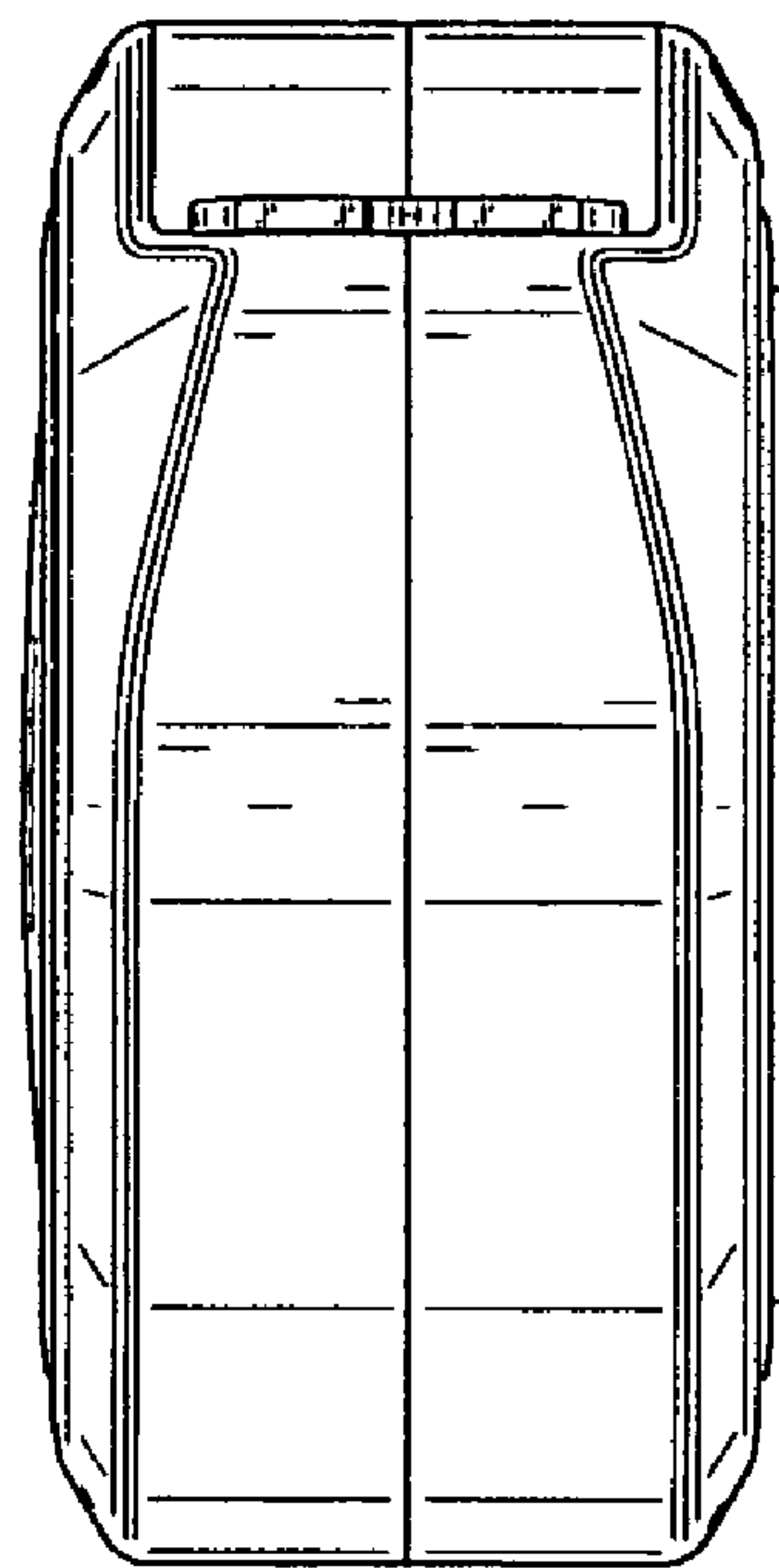


FIG. 7



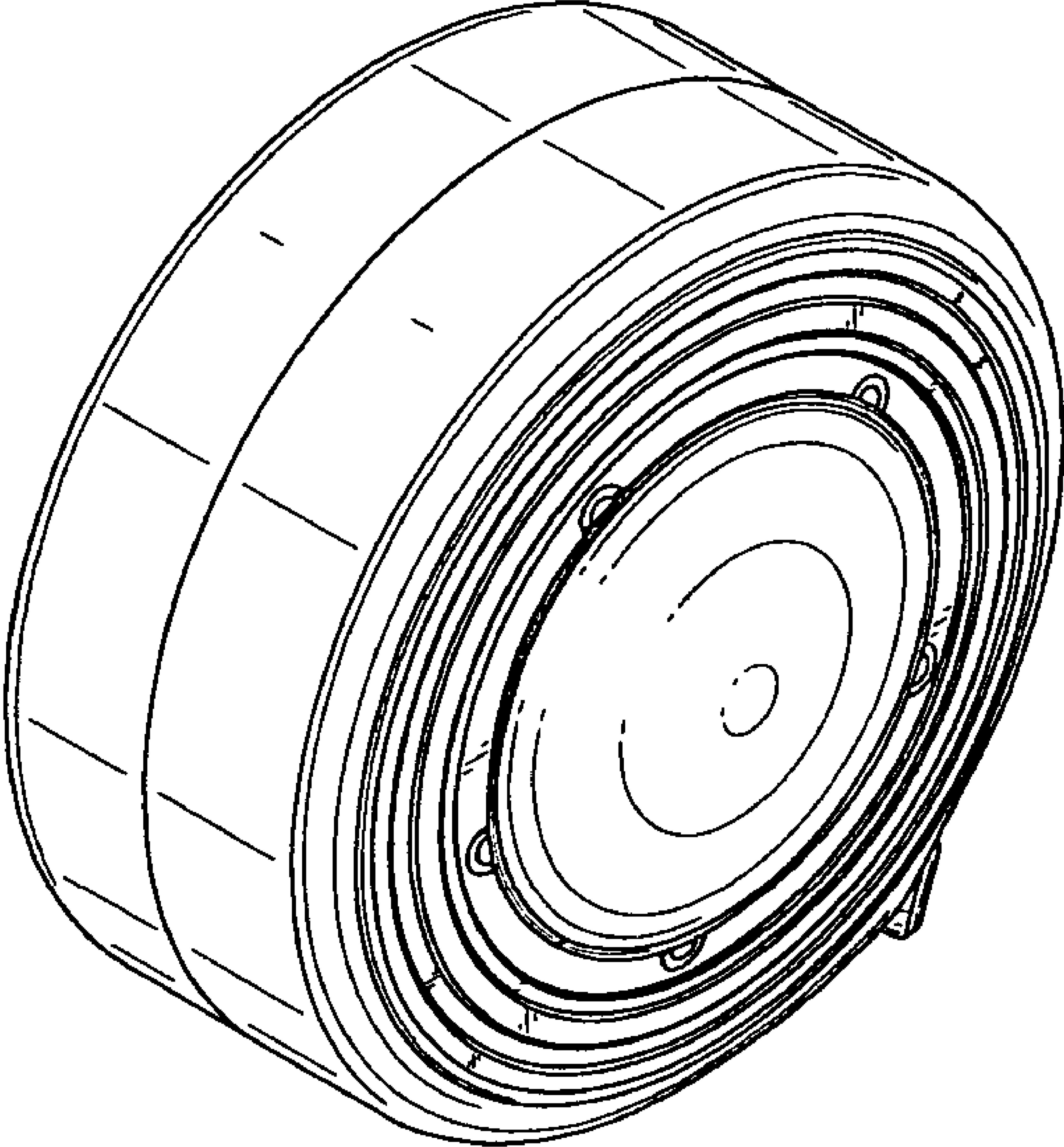


FIG. 8