



US00D653969S

(12) **United States Design Patent**
Jorst et al.

(10) **Patent No.:** **US D653,969 S**

(45) **Date of Patent:** **** Feb. 14, 2012**

(54) **WATCH CASE**

(75) Inventors: **Charlotte Kjolbe Jorst**, Reno, NV
(US); **Henrik Jorst**, Reno, NV (US)

(73) Assignee: **Skagen Designs, Ltd.**, Reno, NV (US)

(**) Term: **14 Years**

(21) Appl. No.: **29/374,039**

(22) Filed: **Jun. 27, 2011**

(51) **LOC (9) Cl.** **10-02**

(52) **U.S. Cl.** **D10/38**

(58) **Field of Classification Search** D10/30-39;
368/276, 281, 282, 285

See application file for complete search history.

(56) **References Cited**

U.S. PATENT DOCUMENTS

3,427,800	A	*	2/1969	Blum	368/223
D371,077	S	*	6/1996	Terashima	D10/30
D401,866	S	*	12/1998	Pandel	D10/32
D410,199	S	*	5/1999	Calvani	D10/39
D426,777	S	*	6/2000	Tomimatsu	D10/30
D555,518	S	*	11/2007	Borraccino et al.	D10/39

D585,309	S	*	1/2009	Monachon	D10/39
D587,140	S	*	2/2009	Kauffmann	D10/38
D601,439	S	*	10/2009	Jorst et al.	D10/32
D617,213	S	*	6/2010	Dolce et al.	D10/38
D634,651	S	*	3/2011	Jorst et al.	D10/39
D634,652	S	*	3/2011	Jorst et al.	D10/39

* cited by examiner

Primary Examiner — Lucy Lieberman

(57) **CLAIM**

The ornamental design for a watch case, as shown and described.

DESCRIPTION

FIG. 1 is a front elevation of a watch case showing our new design

FIG. 2 is a right side elevation thereof

FIG. 3 is a left side elevation thereof

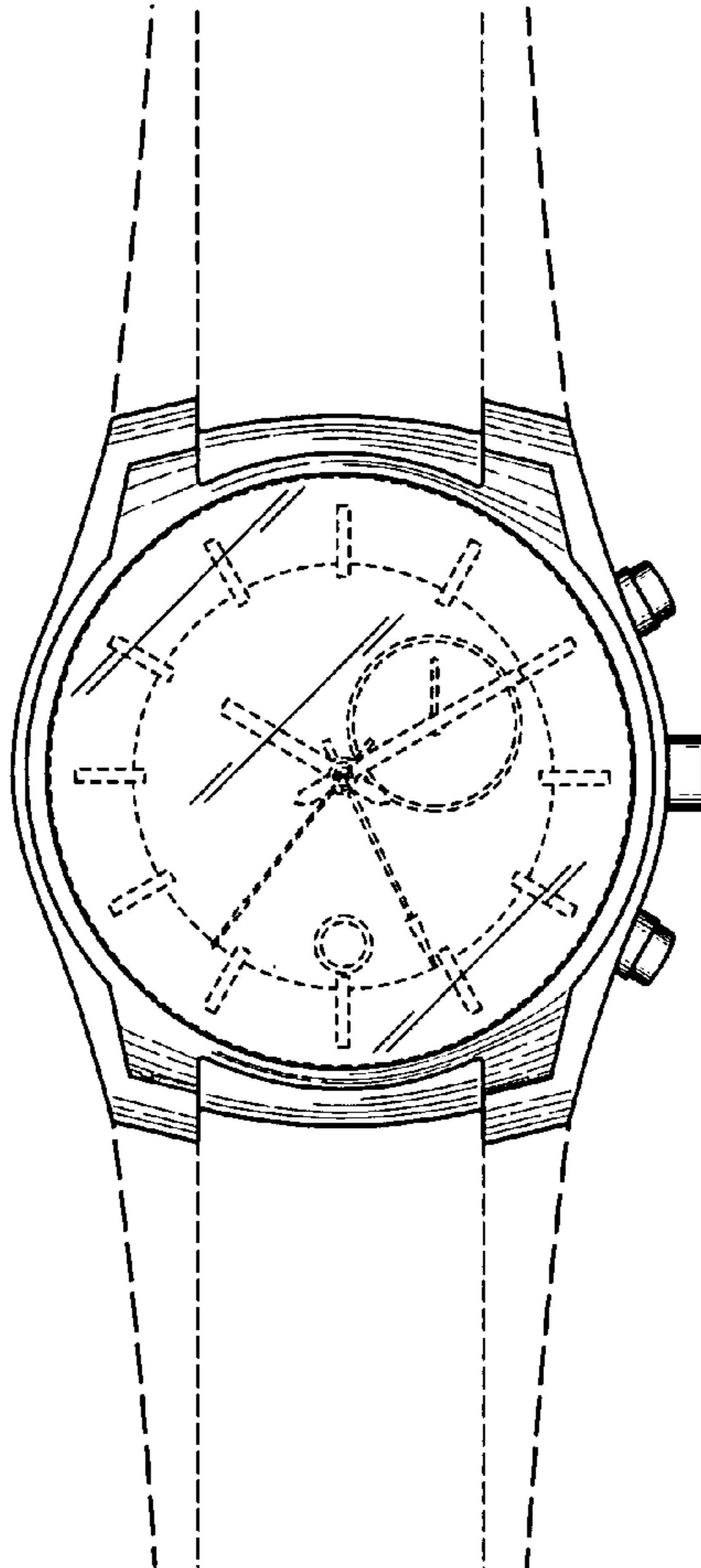
FIG. 4 is a rear elevation thereof

FIG. 5 is a front and right side perspective view thereof; and,

FIG. 6 is a bottom view thereof.

The broken lines in the drawings are for illustrative purposes only and do not form part of the claimed design.

1 Claim, 2 Drawing Sheets



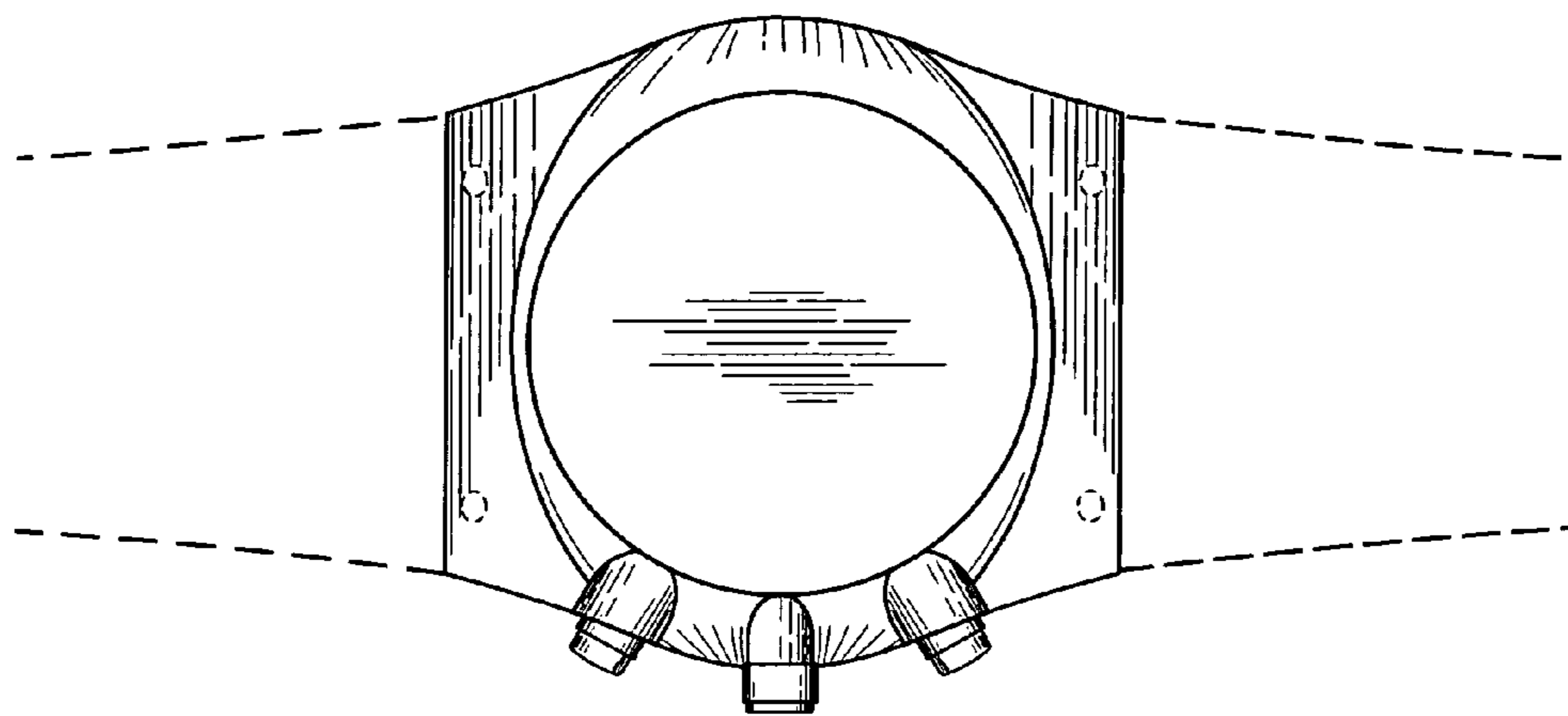


FIG 4

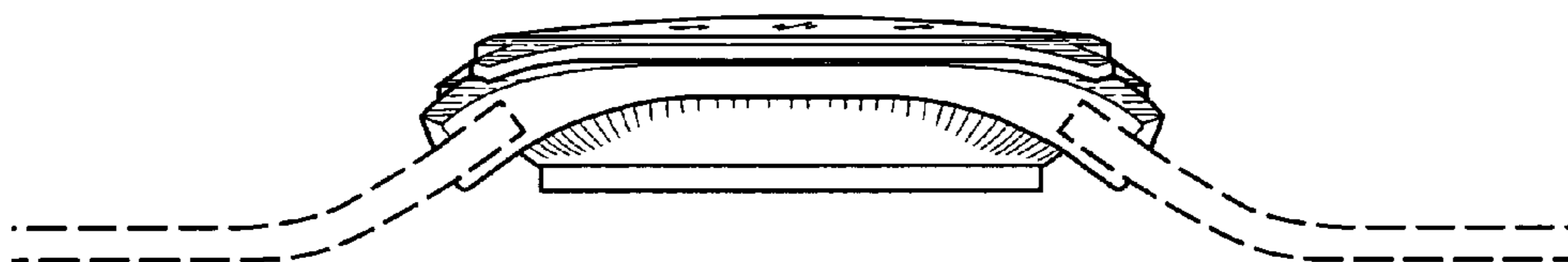


FIG 3

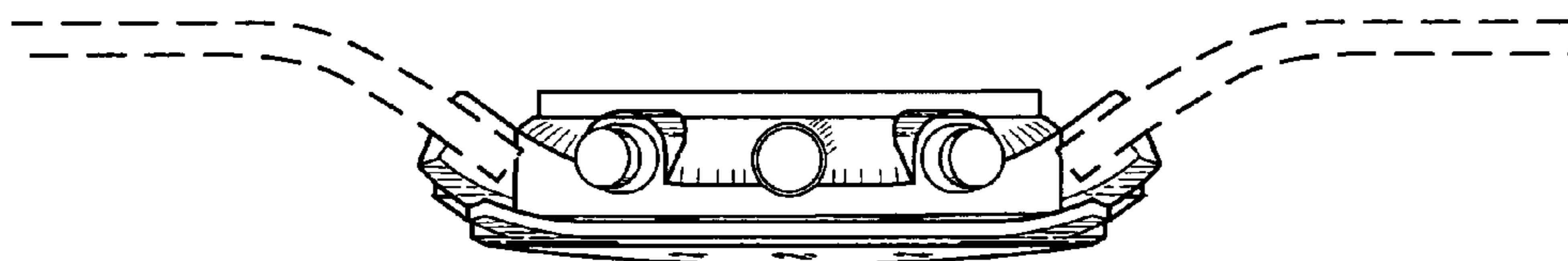


FIG 2

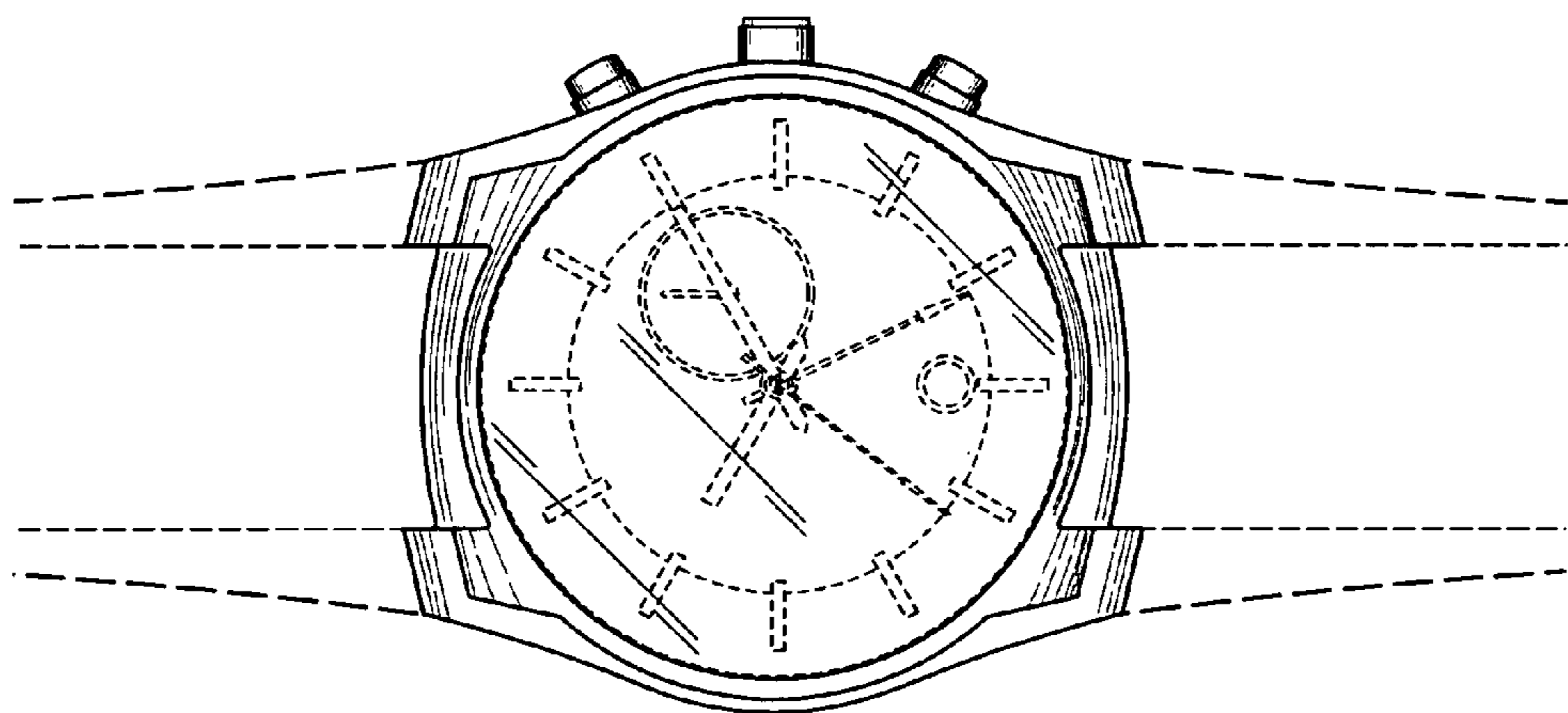


FIG 1

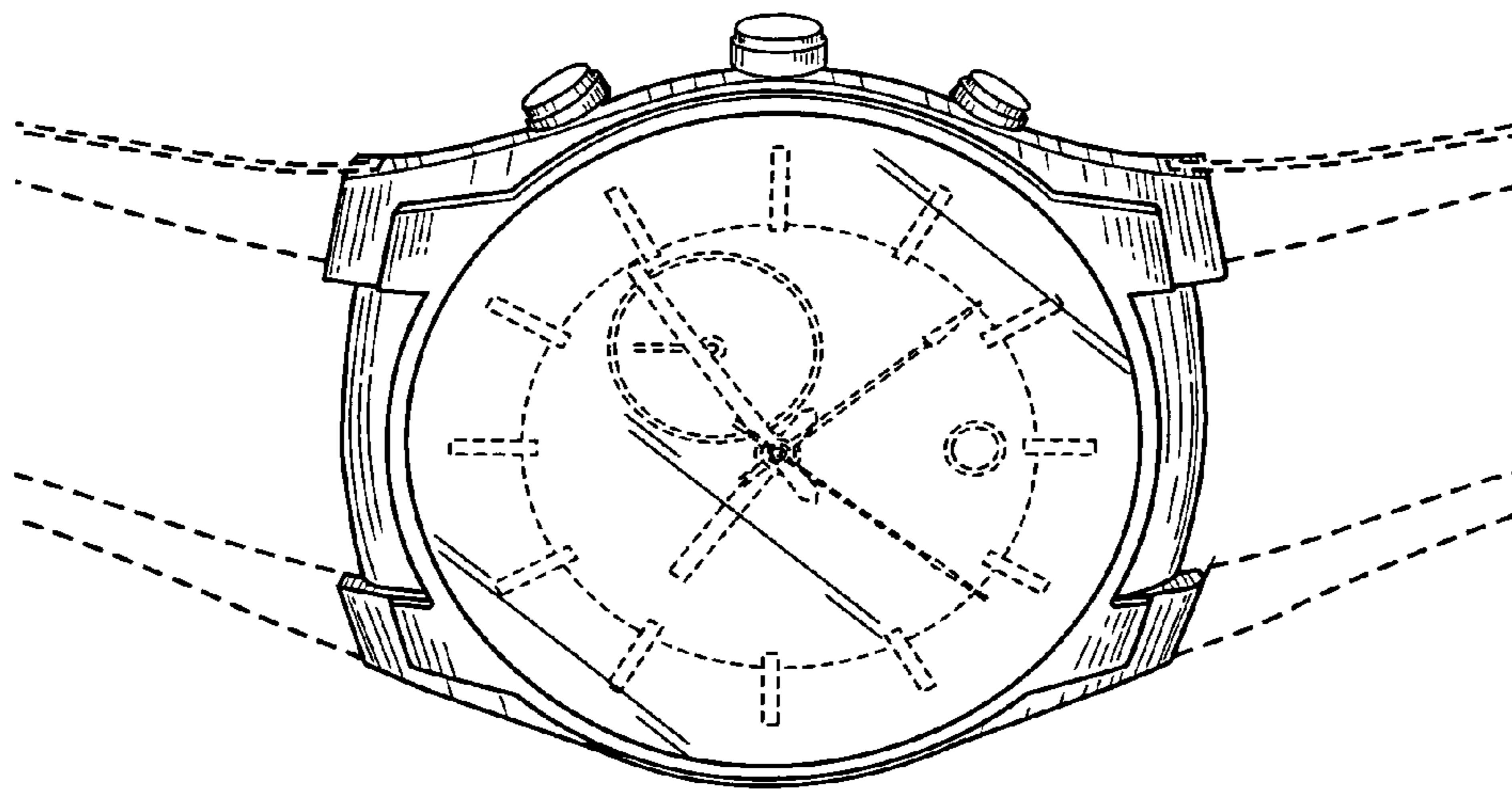


FIG 5

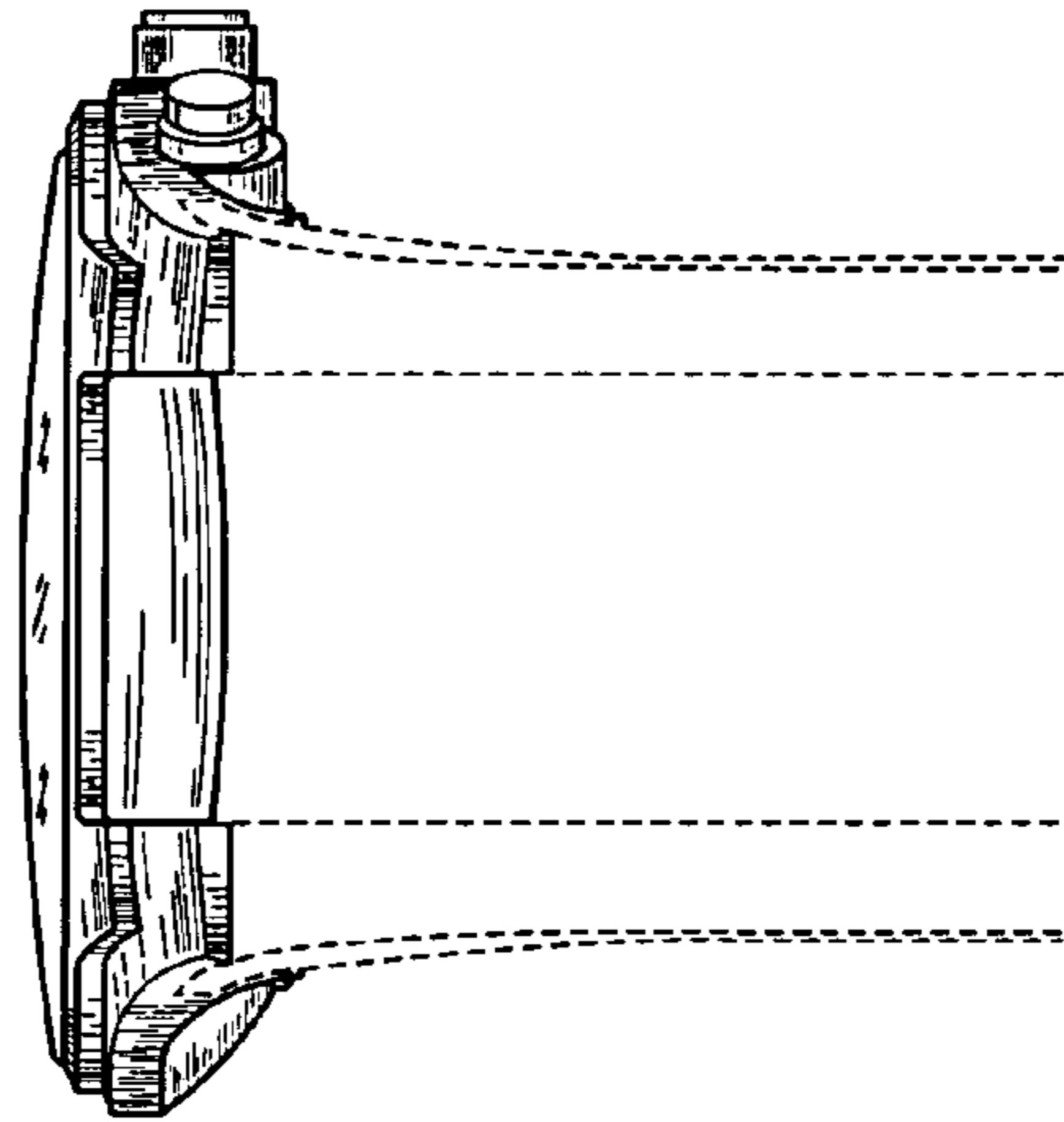


FIG 6