



US00D653968S

(12) **United States Design Patent**  
**Blank**

(10) **Patent No.:** **US D653,968 S**

(45) **Date of Patent:** **\*\* Feb. 14, 2012**

(54) **WRISTWATCH**

(75) **Inventor:** **Yves Blank, Berne (CH)**

(73) **Assignee:** **Rado Uhren AG (Rado Watch Co. Ltd.) (Montres Rado SA), Lengnau (CH)**

(\*\*) **Term:** **14 Years**

(21) **Appl. No.:** **29/398,268**

(22) **Filed:** **Jul. 28, 2011**

(30) **Foreign Application Priority Data**

Feb. 10, 2011 (WO) ..... DM/075 270

(51) **LOC (9) Cl.** ..... **10-02**

(52) **U.S. Cl.** ..... **D10/32**

(58) **Field of Classification Search** ..... D10/30-39,  
D10/123-126; 368/276, 281, 282, 285, 80,  
368/223, 228, 232; D11/3

See application file for complete search history.

(56) **References Cited**

**U.S. PATENT DOCUMENTS**

5,086,418	A *	2/1992	Marcus	.....	368/226
5,574,701	A *	11/1996	Harilela	.....	368/223
5,696,741	A *	12/1997	Nussbaum	.....	368/281
D400,448	S *	11/1998	Wunderman	.....	D10/32
D413,530	S *	9/1999	Flury et al.	.....	D10/32

6,366,538	B1 *	4/2002	Anderson et al.	.....	368/10
6,536,941	B1 *	3/2003	Fang	.....	368/281
6,540,396	B1 *	4/2003	Barras	.....	368/281
D493,728	S *	8/2004	Modolo	.....	D10/32
D537,740	S *	3/2007	Grosjean	.....	D10/38
D561,049	S *	2/2008	Figueiredo	.....	D10/38
D581,811	S *	12/2008	Messmer et al.	.....	D10/32
D588,682	S *	12/2008	Blank	.....	D10/32
D588,472	S *	3/2009	Messmer et al.	.....	D10/32
7,682,069	B2 *	3/2010	Hyatt	.....	368/282
D631,373	S *	1/2011	Mikkelsen	.....	D10/32

\* cited by examiner

*Primary Examiner* — Lucy Lieberman

(74) *Attorney, Agent, or Firm* — Collen IP; Donald J. Ranft

(57) **CLAIM**

The ornamental design for a wristwatch, as shown.

**DESCRIPTION**

FIG. 1 is a front perspective view of a wristwatch showing my new design;

FIG. 2 is a rear perspective view thereof;

FIG. 3 is a left side perspective view thereof;

FIG. 4 is a front view thereof;

FIG. 5 is a rear view thereof;

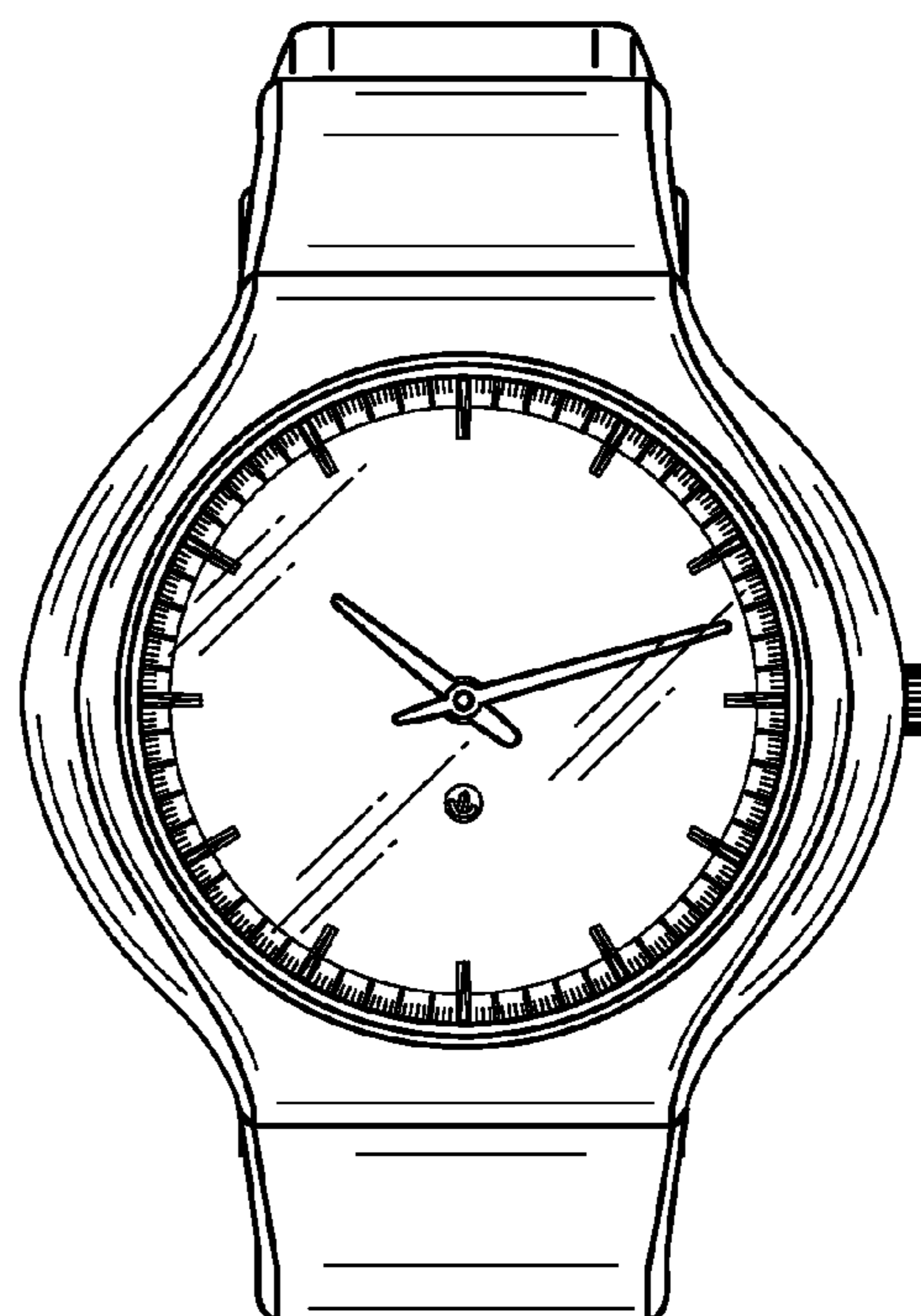
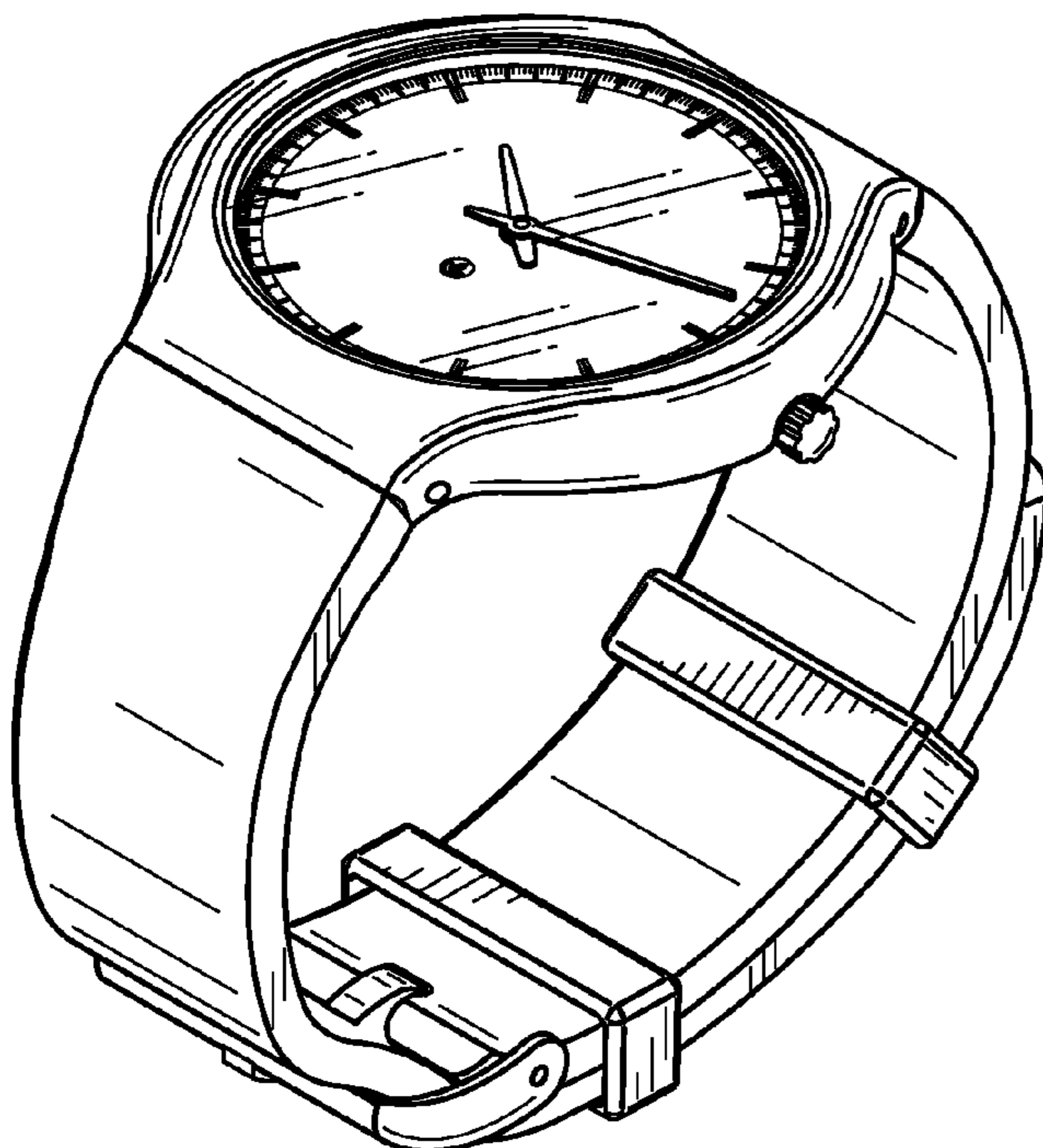
FIG. 6 is bottom view thereof;

FIG. 7 is top view thereof;

FIG. 8 is a left side view thereof; and,

FIG. 9 is a right side view thereof.

**1 Claim, 5 Drawing Sheets**



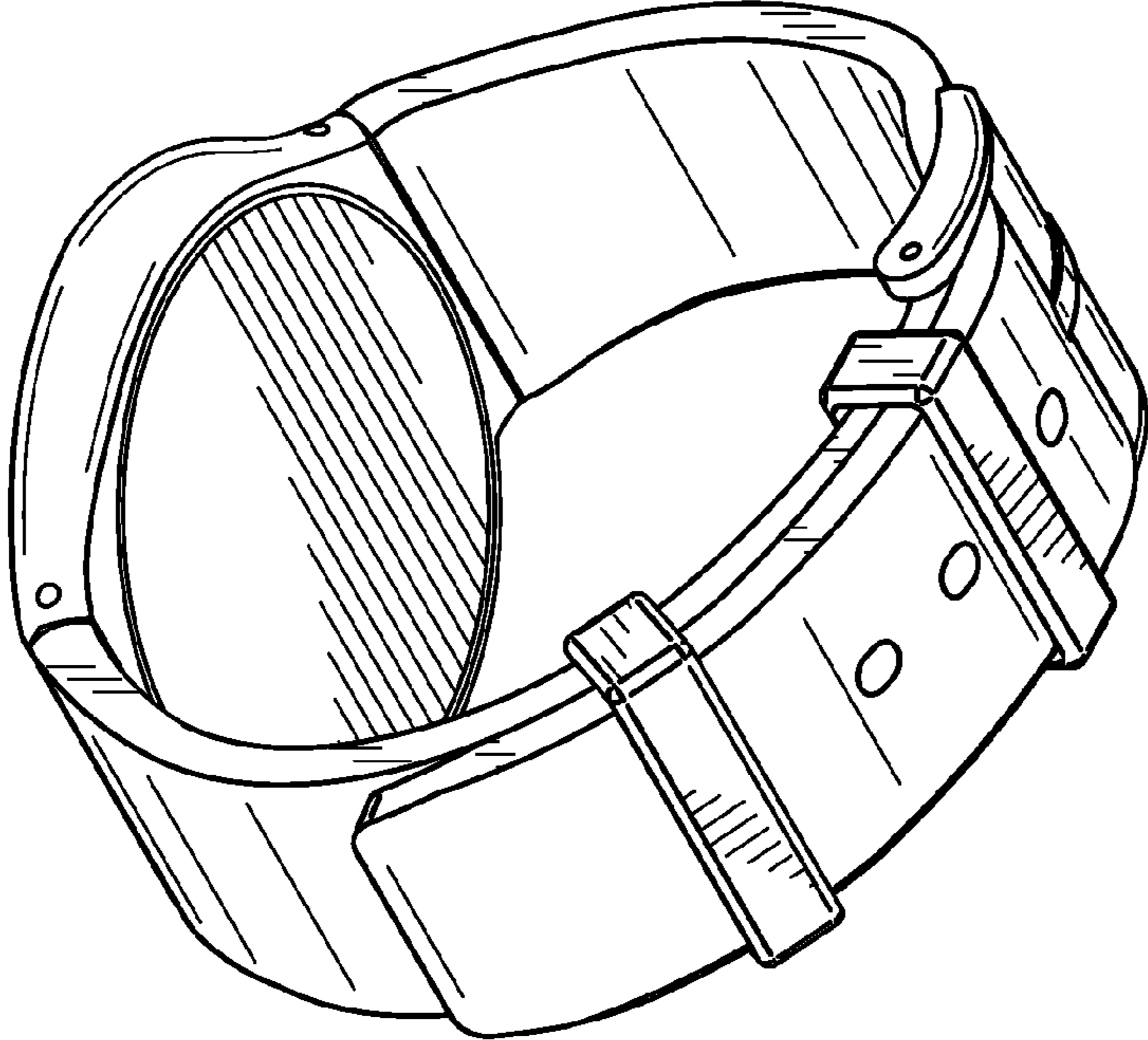


FIG. 2

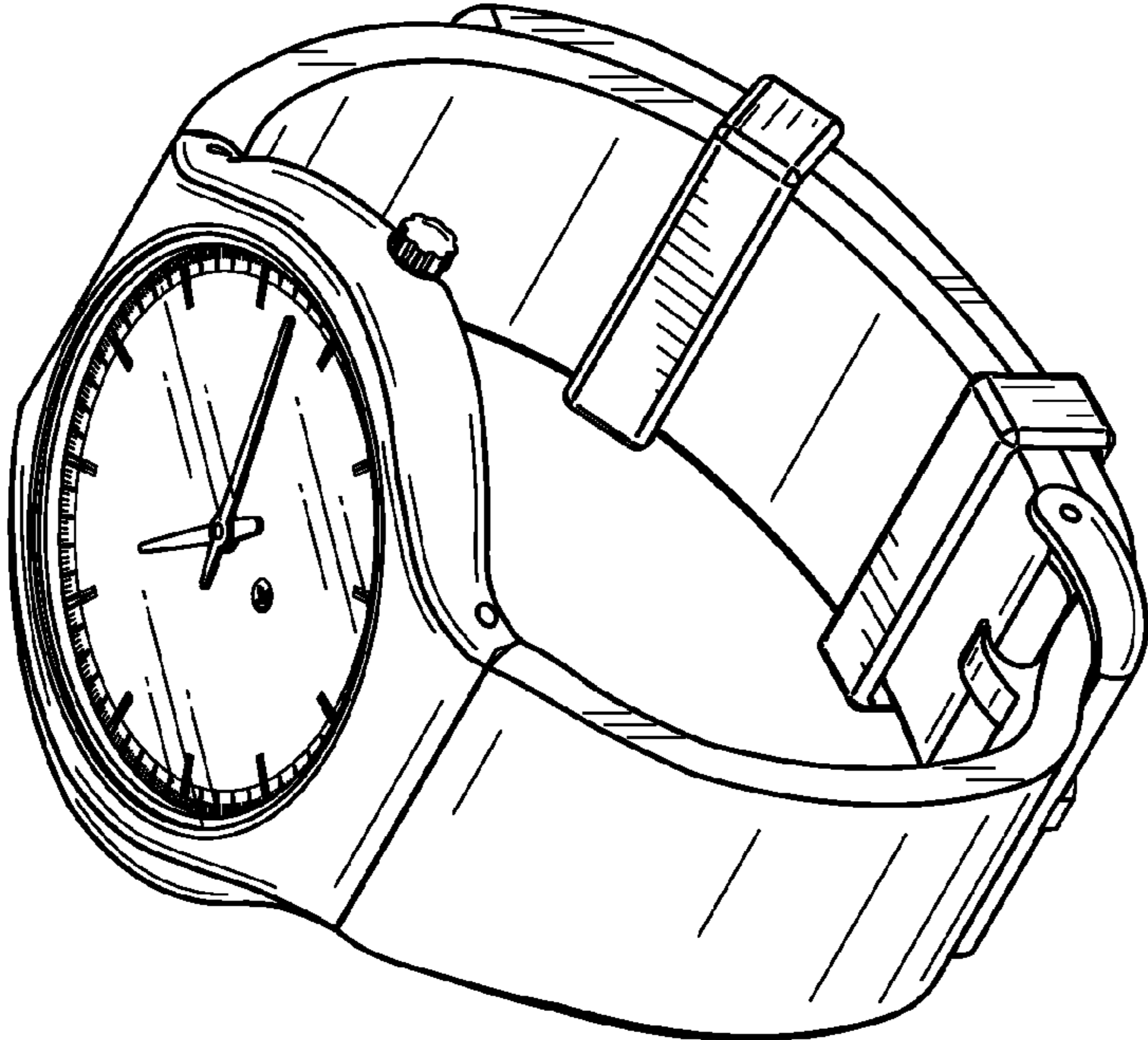


FIG. 1

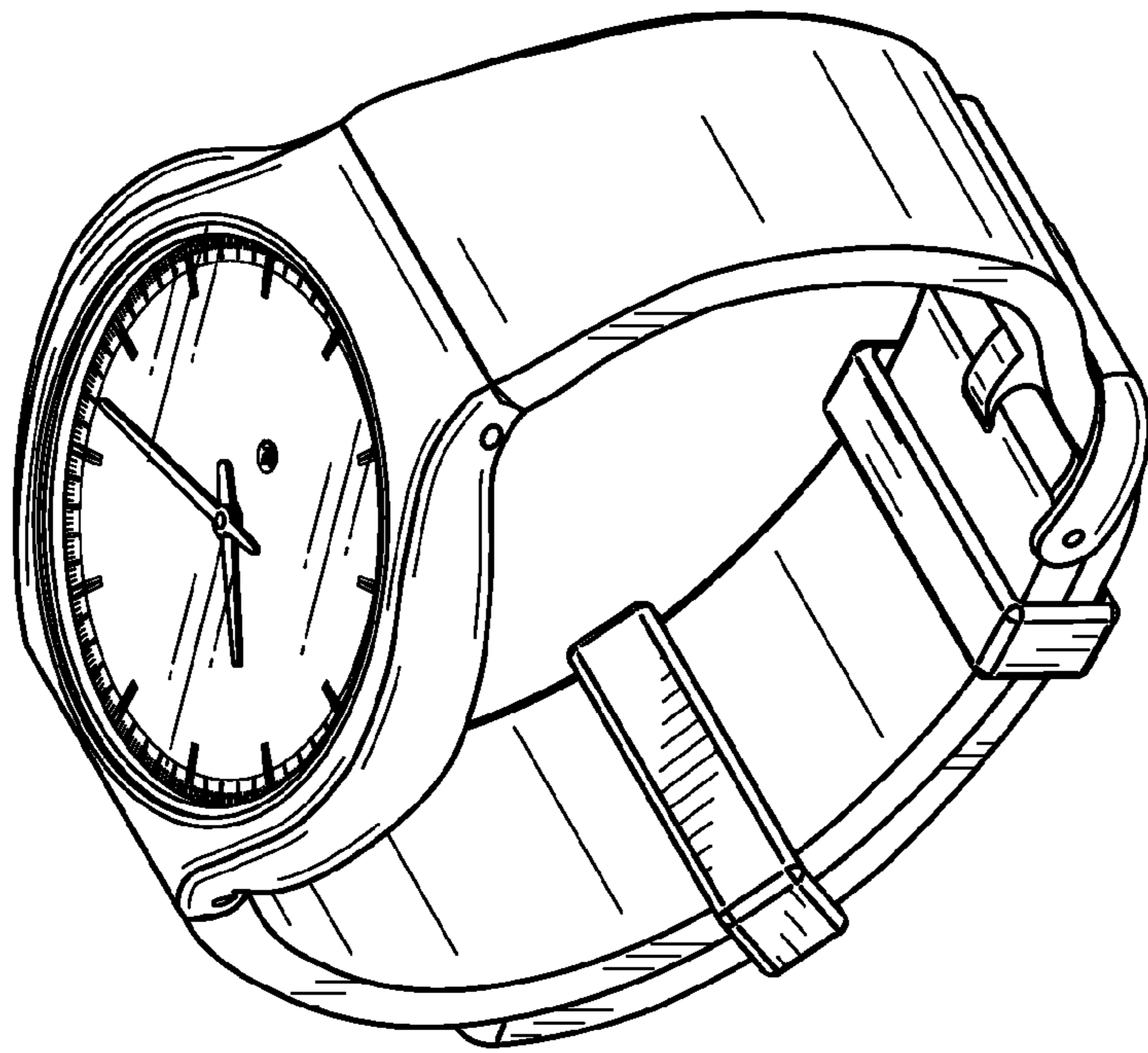


FIG. 3



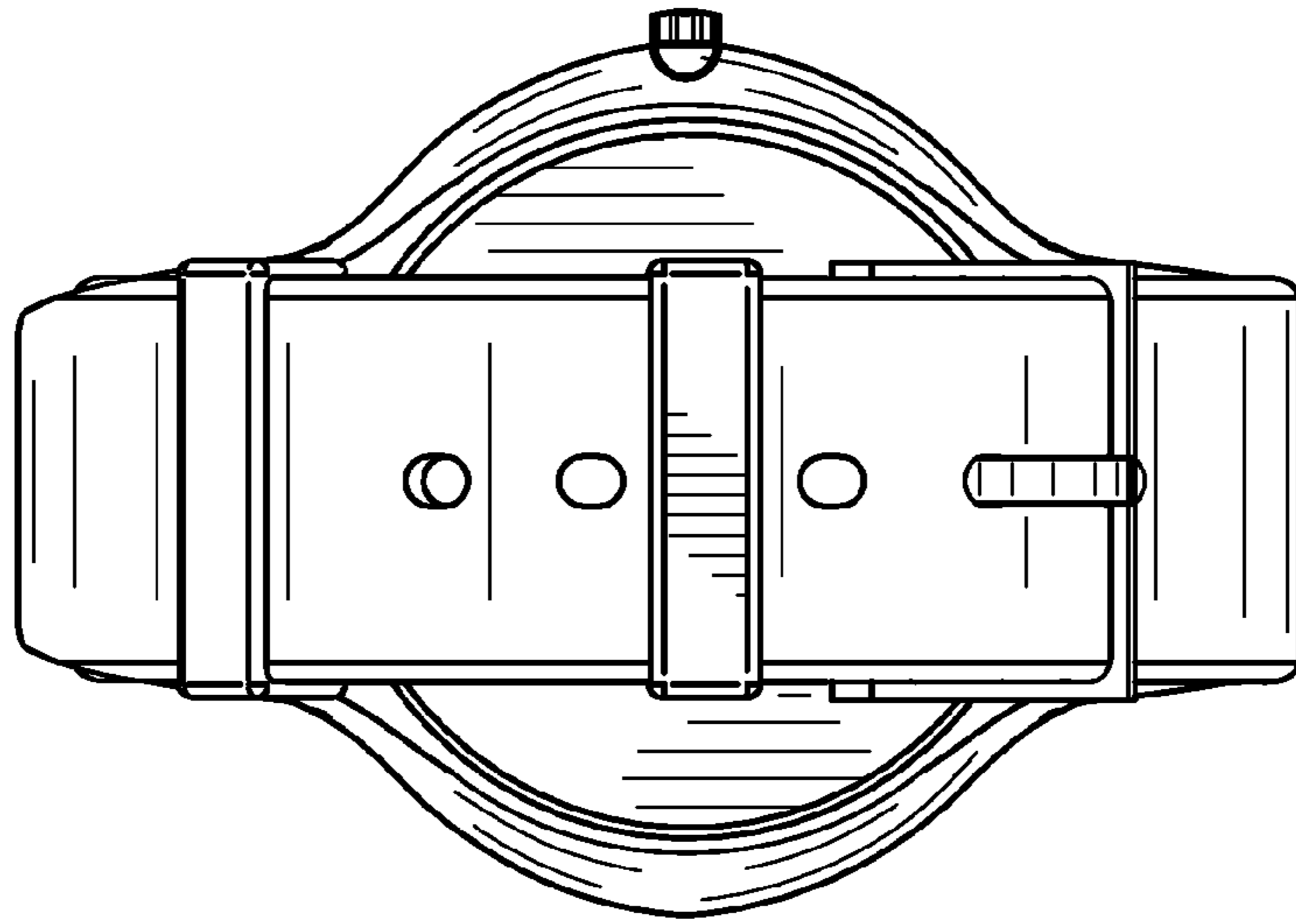


FIG. 5

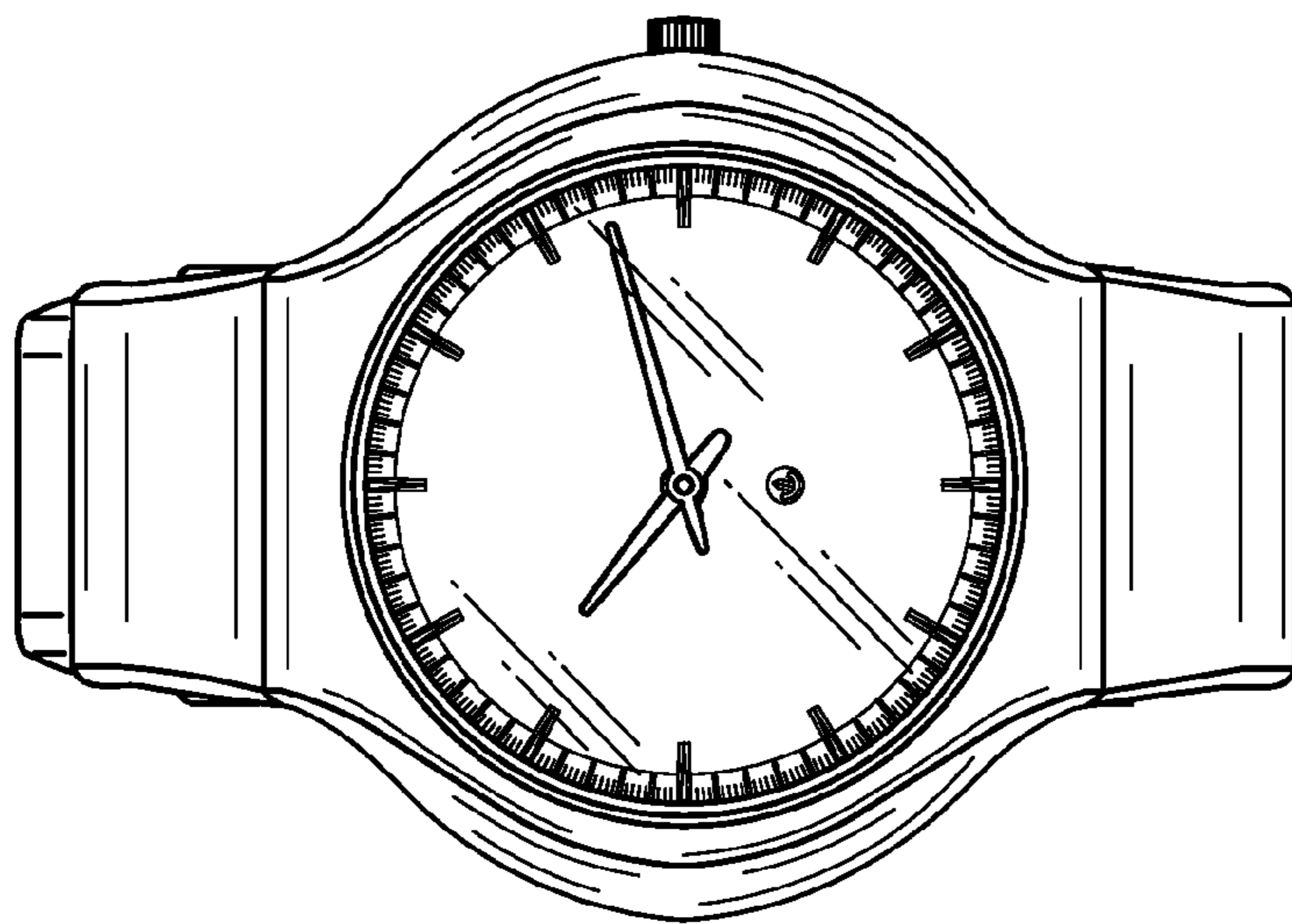


FIG. 4

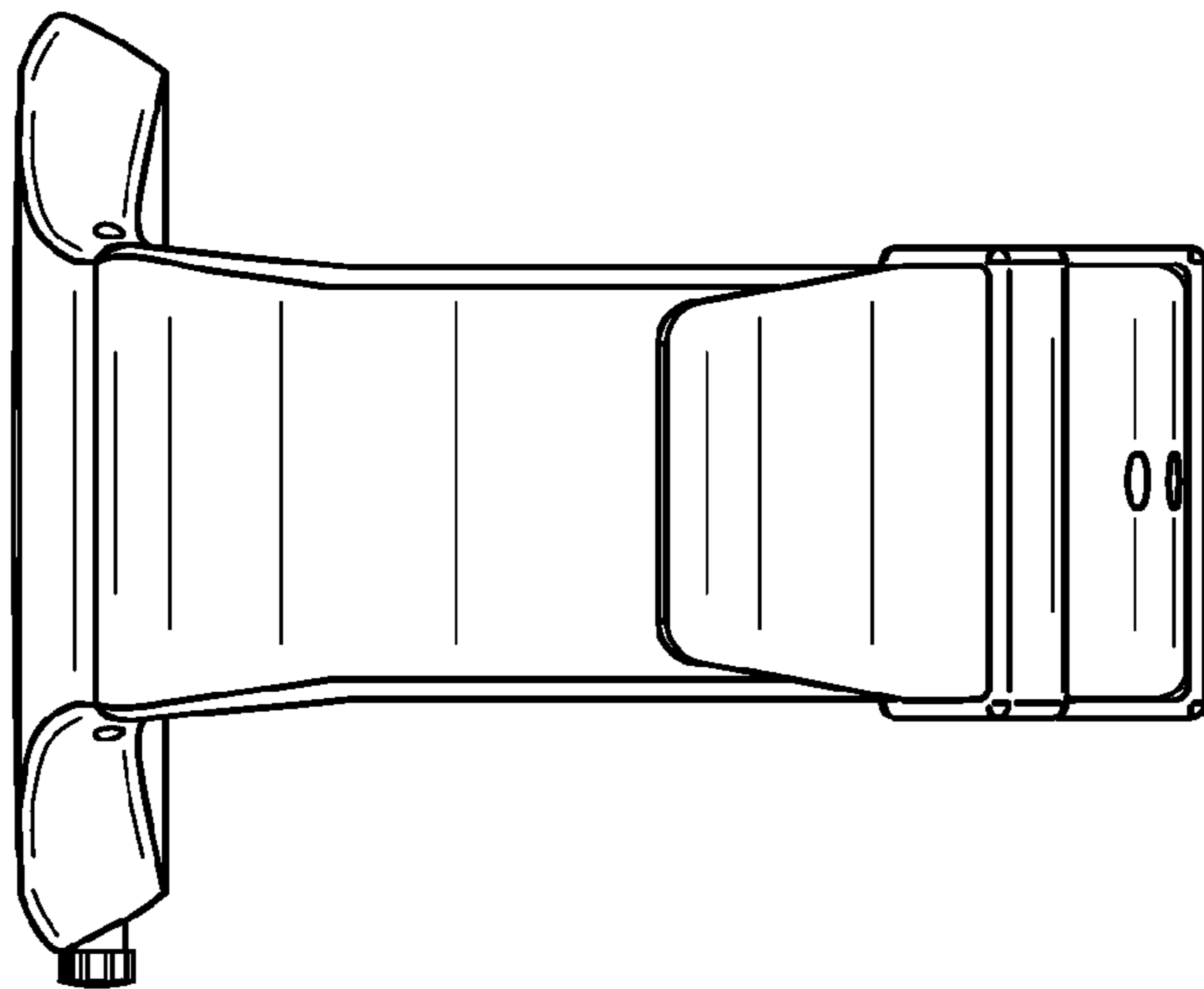


FIG. 7

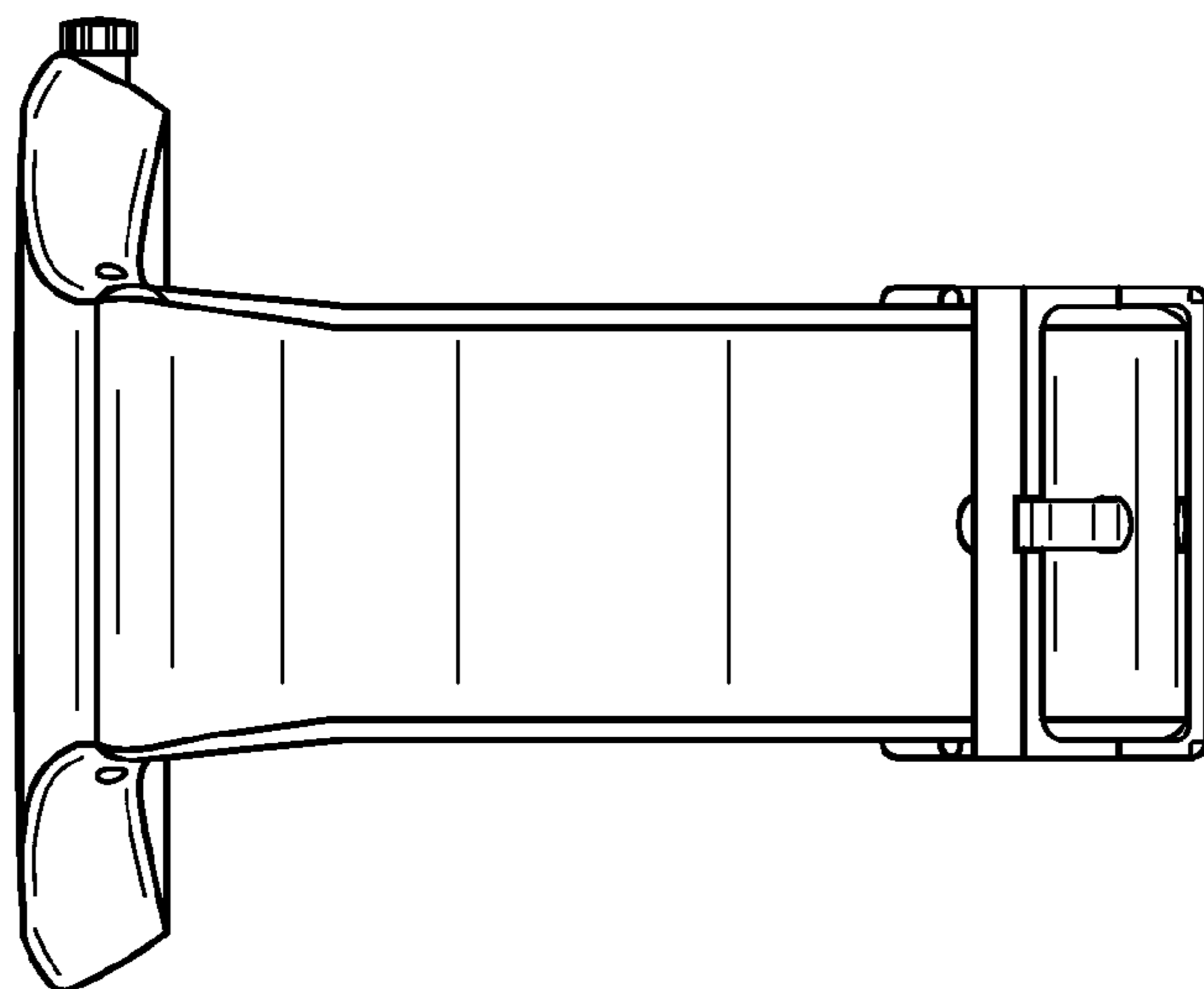


FIG. 6

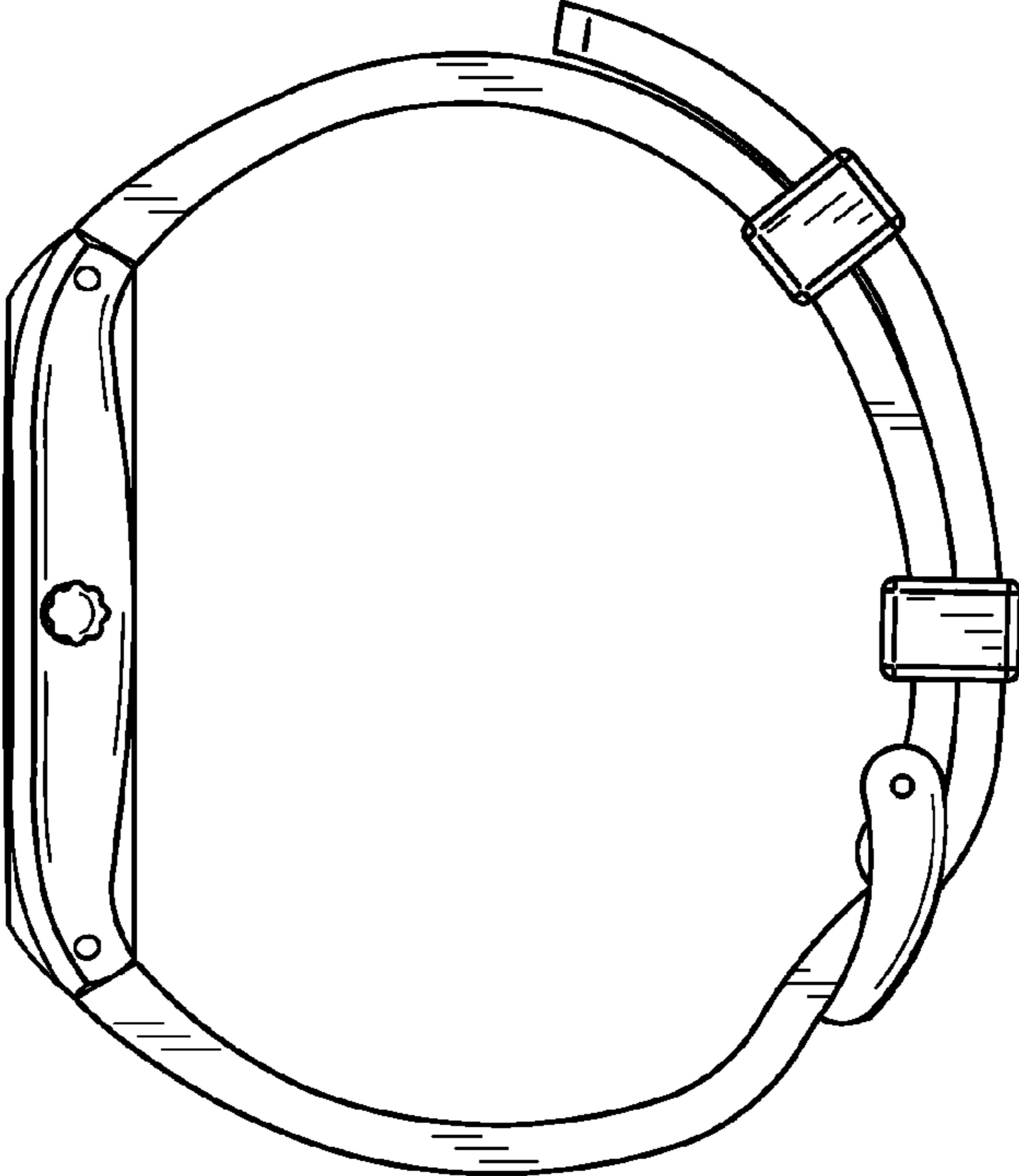


FIG. 9

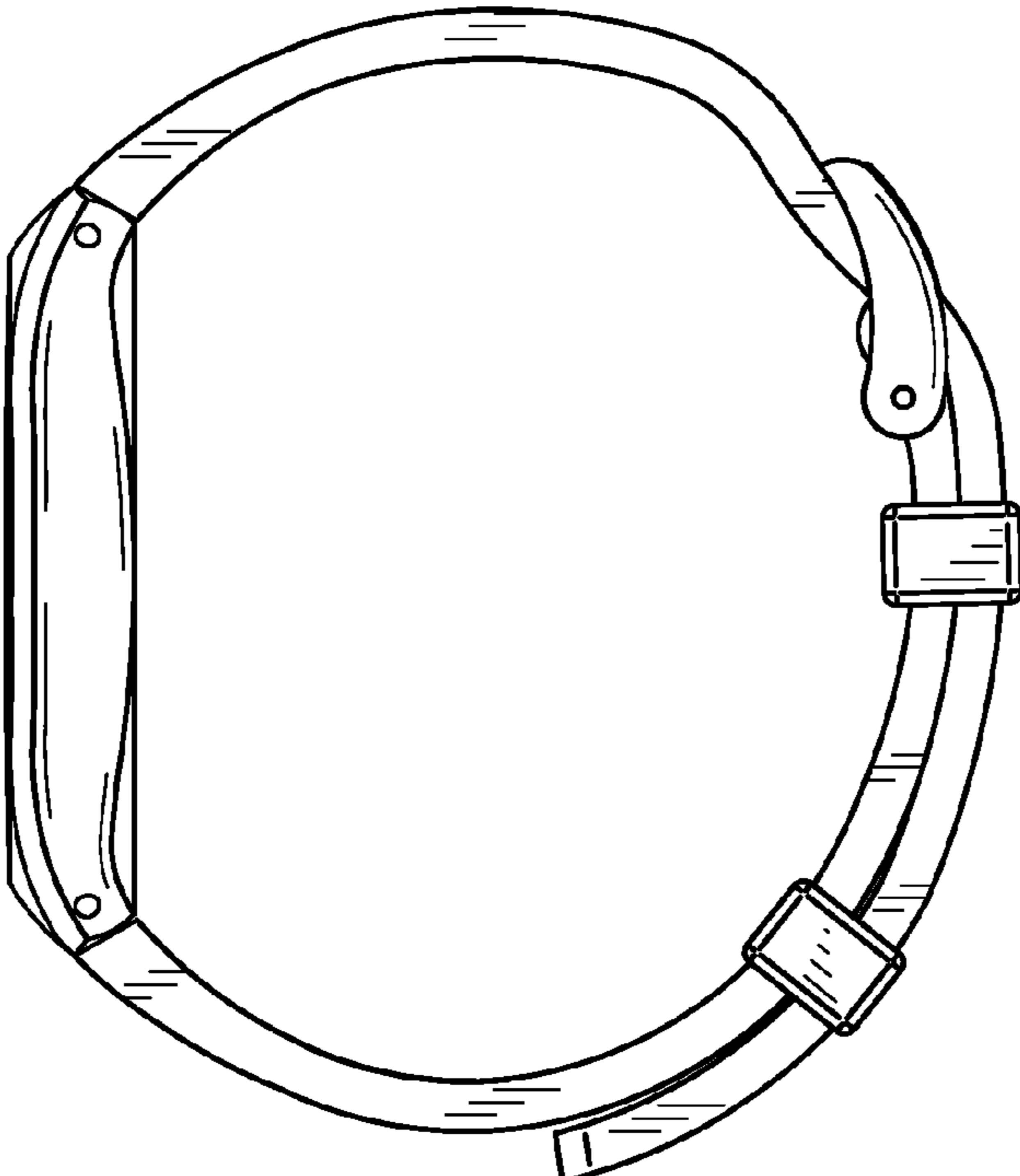


FIG. 8