



US00D653967S

(12) **United States Design Patent**
Blake

(10) **Patent No.:** **US D653,967 S**

(45) **Date of Patent:** **** Feb. 14, 2012**

(54) **WATCH**

(76) **Inventor:** **Shannon Blake, Roswell, GA (US)**

(**) **Term:** **14 Years**

(21) **Appl. No.:** **29/399,676**

(22) **Filed:** **Aug. 17, 2011**

(51) **LOC (9) Cl.** **10-02**

(52) **U.S. Cl.** **D10/31**

(58) **Field of Classification Search** D10/30-39,
D10/2; 368/10, 276, 278, 285; D3/207,
D3/208

See application file for complete search history.

(56) **References Cited**

U.S. PATENT DOCUMENTS

D154,210	S	*	6/1949	Okun	D3/208
3,589,155	A	*	6/1971	Kamp	70/459
D270,714	S	*	9/1983	Sang	D10/33
D273,847	S	*	5/1984	Yusa	D10/68
D320,945	S	*	10/1991	Hiles	D10/31
D344,460	S	*	2/1994	Hiles	D10/30
5,540,367	A	*	7/1996	Kauker	224/269
D380,979	S	*	7/1997	Perlmutter	D11/79
D382,817	S	*	8/1997	Ahmadi	D10/30
5,781,512	A	*	7/1998	Pantet	368/316
D402,104	S	*	12/1998	Kauker et al.	D3/215
D445,039	S	*	7/2001	Finkay	D10/31
D448,653	S	*	10/2001	Kauker	D8/367
D455,355	S	*	4/2002	Chan	D10/31
6,527,434	B1	*	3/2003	Fox et al.	368/276
D474,980	S	*	5/2003	Finkay	D10/31
D478,011	S	*	8/2003	Cooper	D10/31
D478,823	S	*	8/2003	Kelleghan	D10/68
D493,726	S	*	8/2004	Cooper	D10/4
D501,843	S	*	2/2005	Oas	D14/188
D503,628	S	*	4/2005	Chen	D10/15

D505,337	S	*	5/2005	Cooper	D10/2
D505,867	S	*	6/2005	Cooper	D10/2
D521,587	S	*	5/2006	Smith	D21/789
D524,038	S	*	7/2006	Leung	D3/208
D530,184	S	*	10/2006	Oas	D8/333
D535,897	S	*	1/2007	Leung	D10/40
D537,369	S	*	2/2007	Bao	D10/31
D539,169	S	*	3/2007	Falkenstein et al.	D10/31
D562,702	S	*	2/2008	Bhavnani et al.	D10/2
D569,274	S	*	5/2008	Cooper	D10/37
D571,673	S	*	6/2008	Cooper	D10/37
D588,939	S	*	3/2009	Falkenstein	D10/31
D592,530	S	*	5/2009	Ramsey	D10/31
D622,618	S	*	8/2010	Ramsey	D10/31
2008/0219106	A1	*	9/2008	Genender	368/316

* cited by examiner

Primary Examiner — Lucy Lieberman

(74) *Attorney, Agent, or Firm* — R. William Graham

(57) **CLAIM**

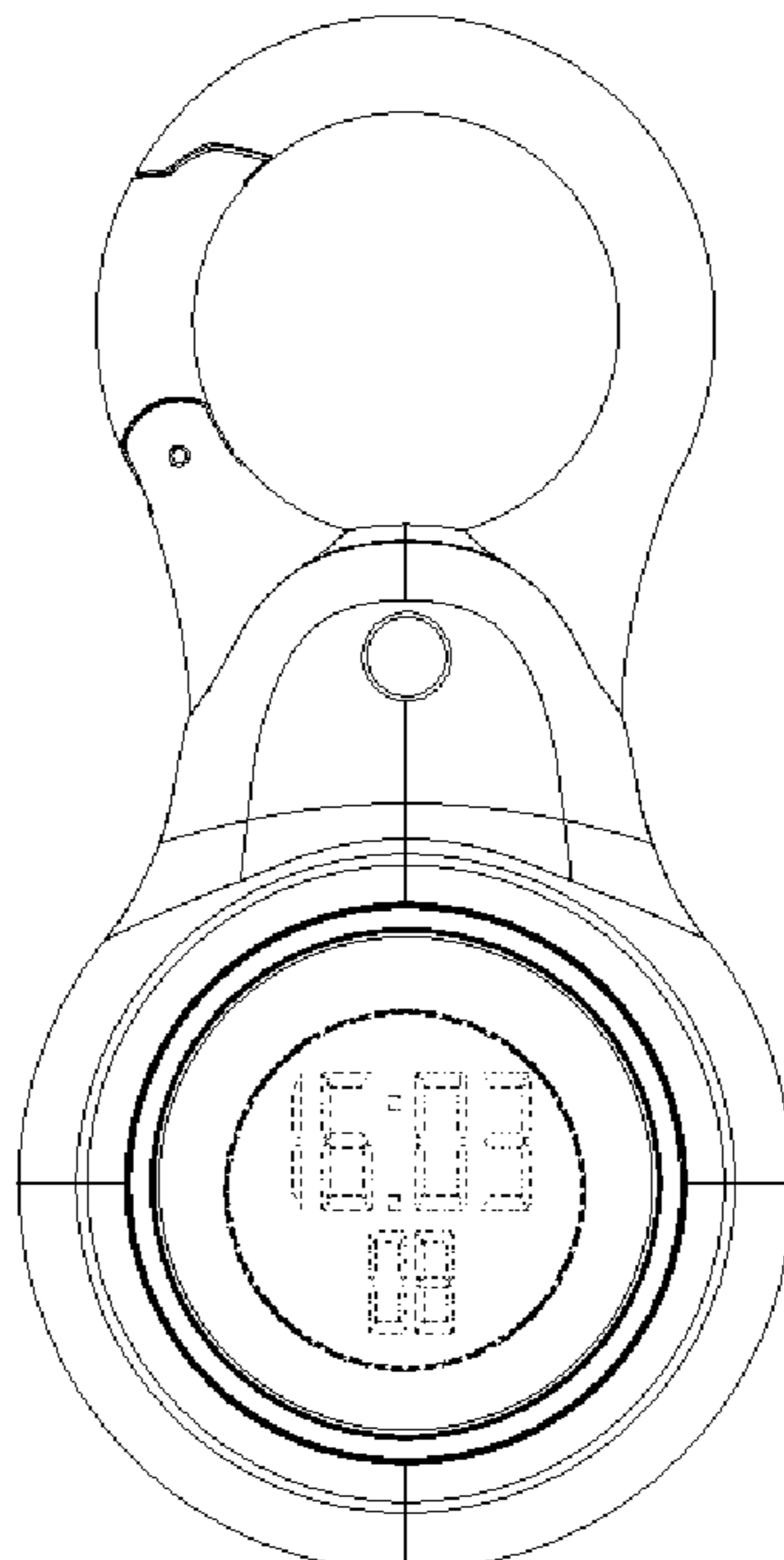
The ornamental design for a watch, as shown and described.

DESCRIPTION

FIG. 1 is a left side view of a watch showing my new design; FIG. 2 is a front view of a watch showing my new design; FIG. 3 is a bottom plan view thereof; FIG. 4 is a top plan view thereof; FIG. 5 is a right side elevation thereof; FIG. 6 is a back view of a watch showing my new design; FIG. 7 is a front perspective view of a watch showing my new design; and, FIG. 8 is a back perspective view of a watch showing my new design.

The broken lines shown in FIGS. 2 and 7 are for illustrative purposes only and do not form part of the claimed design.

1 Claim, 1 Drawing Sheet



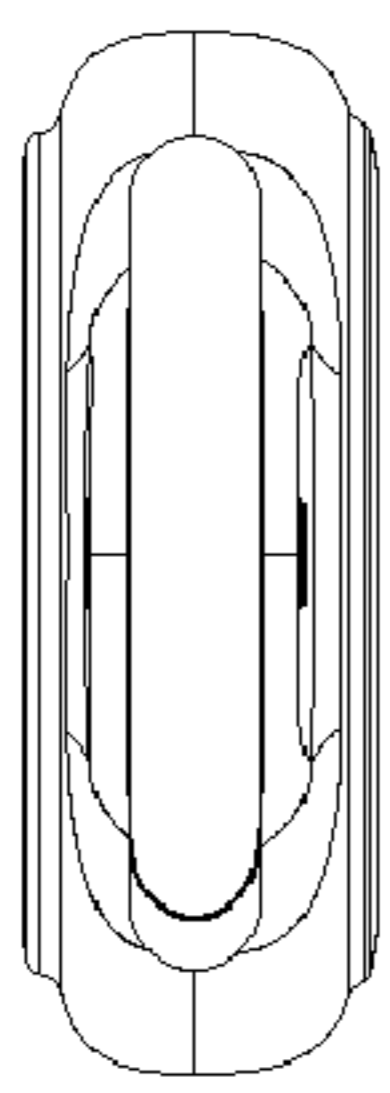


Figure 4

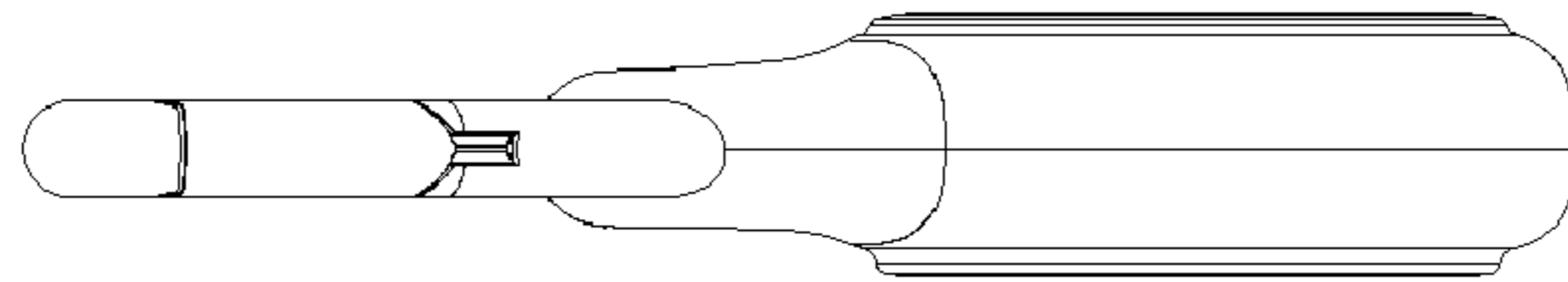


Figure 1

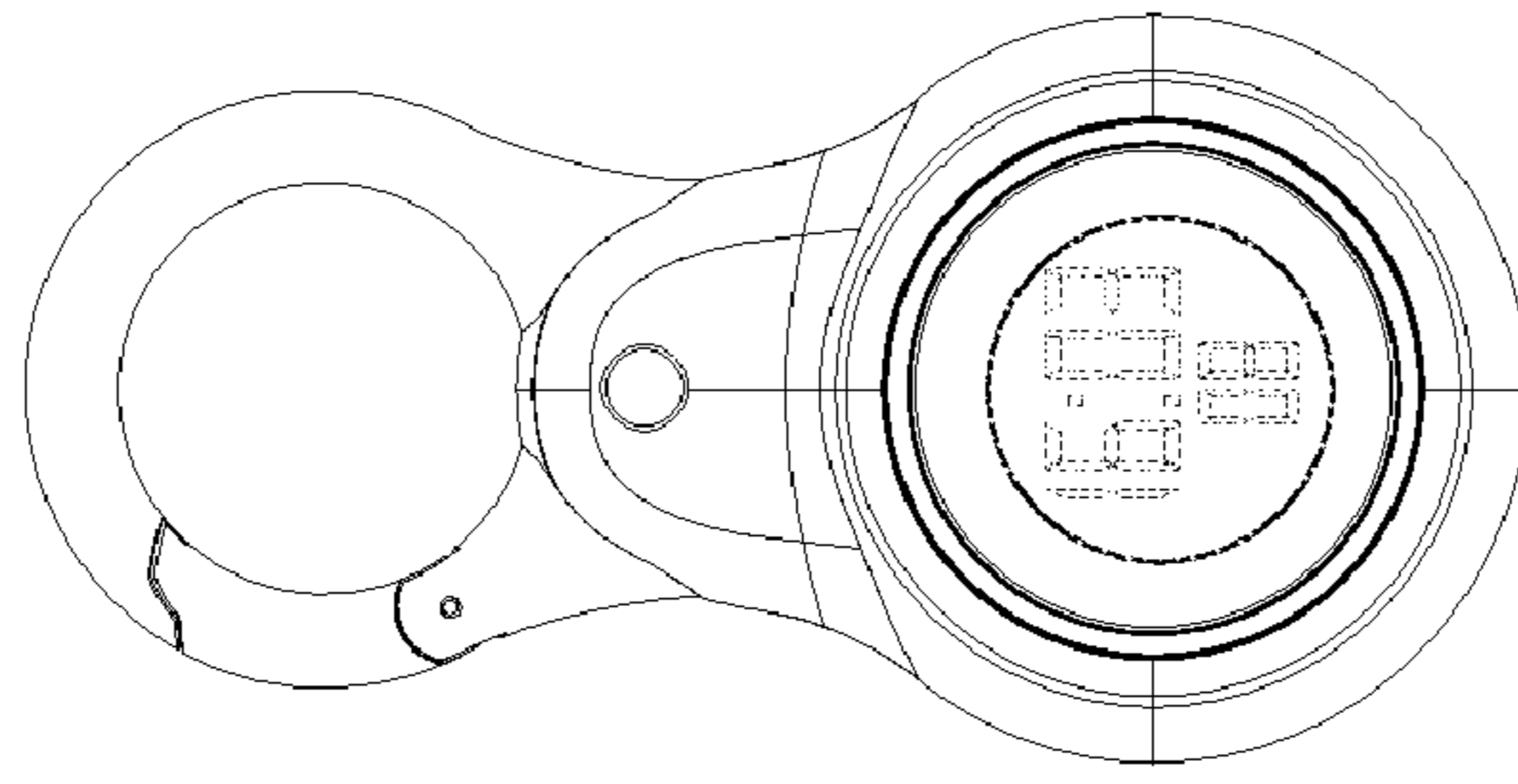


Figure 2

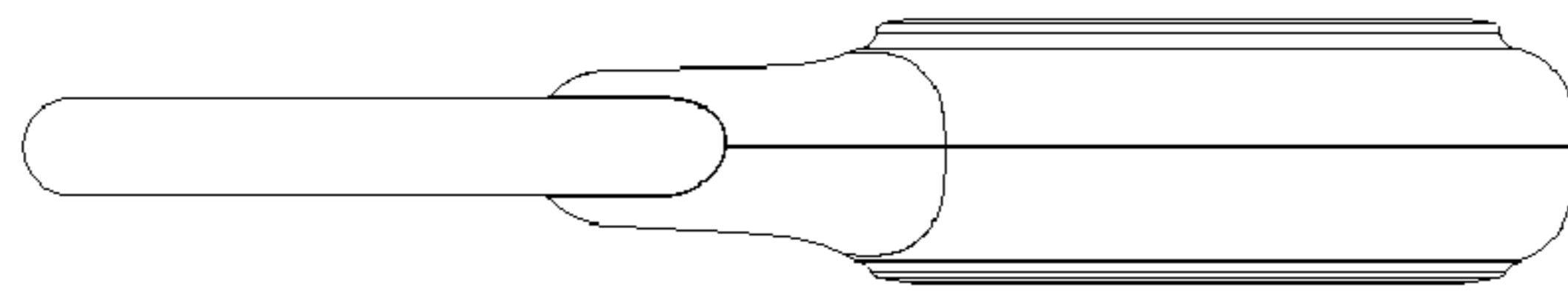


Figure 5

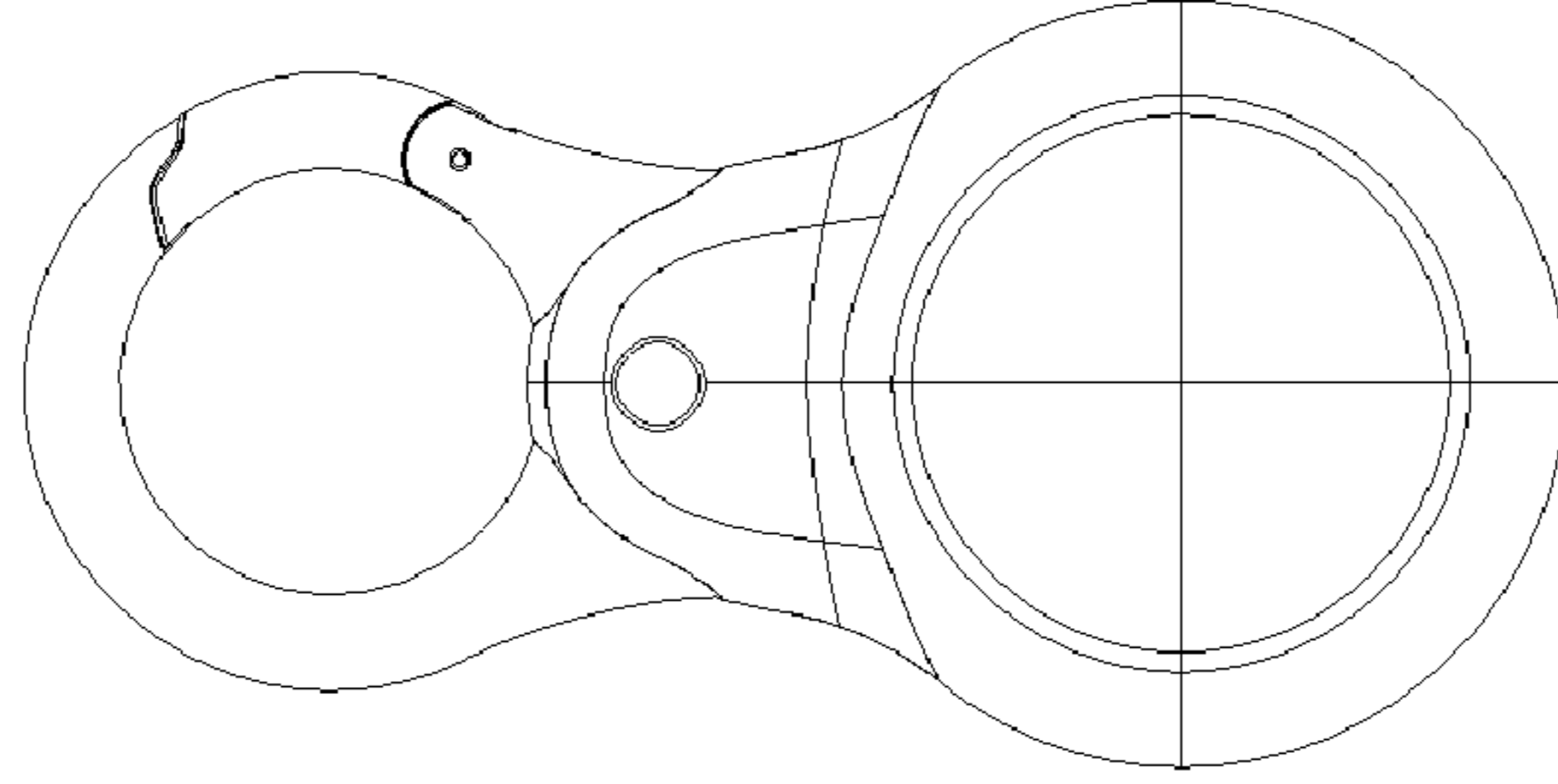


Figure 6

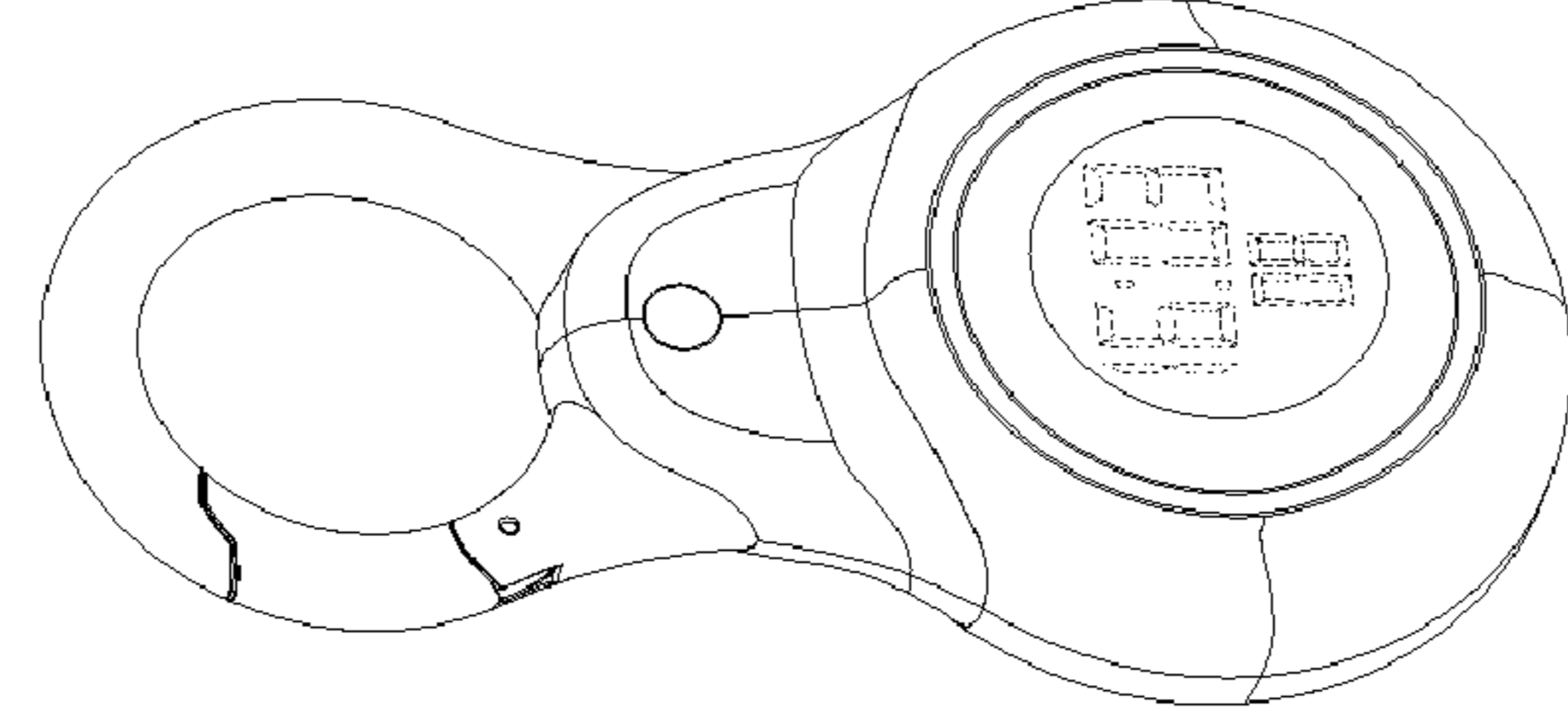


Figure 7

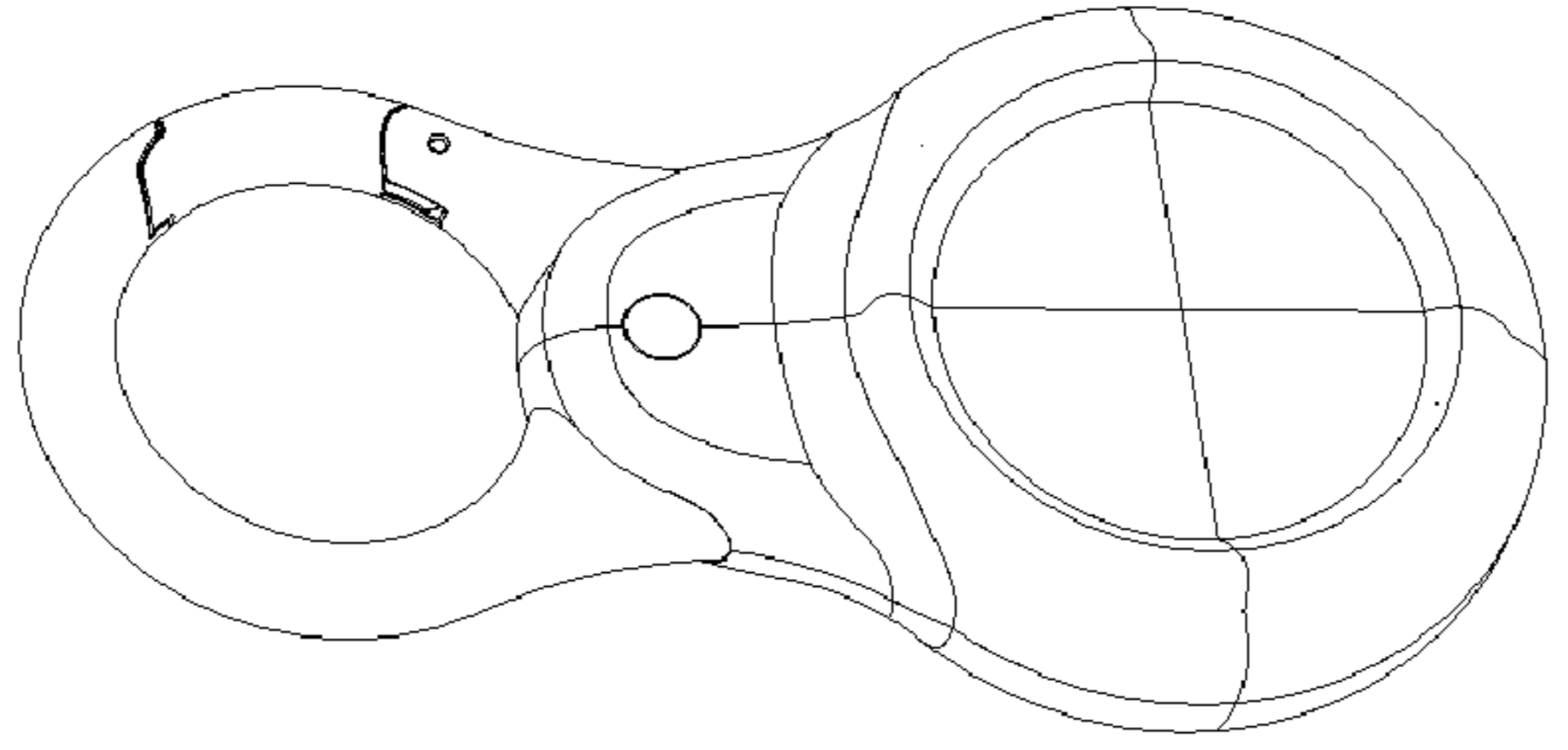


Figure 8

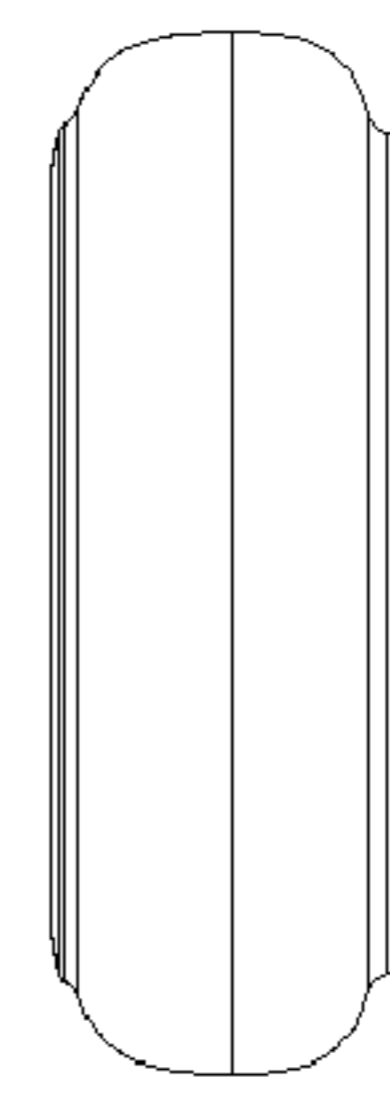


Figure 3