



US00D653962S

(12) **United States Design Patent**
Vázquez

(10) **Patent No.:** **US D653,962 S**
(45) **Date of Patent:** **** Feb. 14, 2012**

(54) **LIGHT BULB PACKAGE**

FOREIGN PATENT DOCUMENTS

(75) Inventor: **Hugo Sánchez Vázquez**, Mexico City (MX)

WO 2004096648 11/2004
* cited by examiner

(73) Assignee: **Smurfit Carton y Papel de Mexico S.A. dec.V.**, Naucalpan de Juárez (MX)

Primary Examiner — Caron D Veynar
Assistant Examiner — Abraham Bahta
(74) *Attorney, Agent, or Firm* — Boyle Fredrickson, SC

(**) Term: **14 Years**

(57) **CLAIM**

(21) Appl. No.: **29/392,620**

The ornamental design of a light bulb package, as shown and described.

(22) Filed: **May 24, 2011**

DESCRIPTION

(51) **LOC (9) Cl.** **09-05**

(52) **U.S. Cl.** **D9/711**

(58) **Field of Classification Search** D9/702-714,
D9/719, 738-740, 517-518, 522, 416, 435,
D9/444, 460, 455, 414, 499, 431-432; D7/560-562;
206/434, 426-427, 429-430, 485, 485.1,
206/499, 508, 431, 418-422, 588-594; 229/117.3,
229/185, 121, 122, 200, 207, 236, 87.01;
220/23.83

See application file for complete search history.

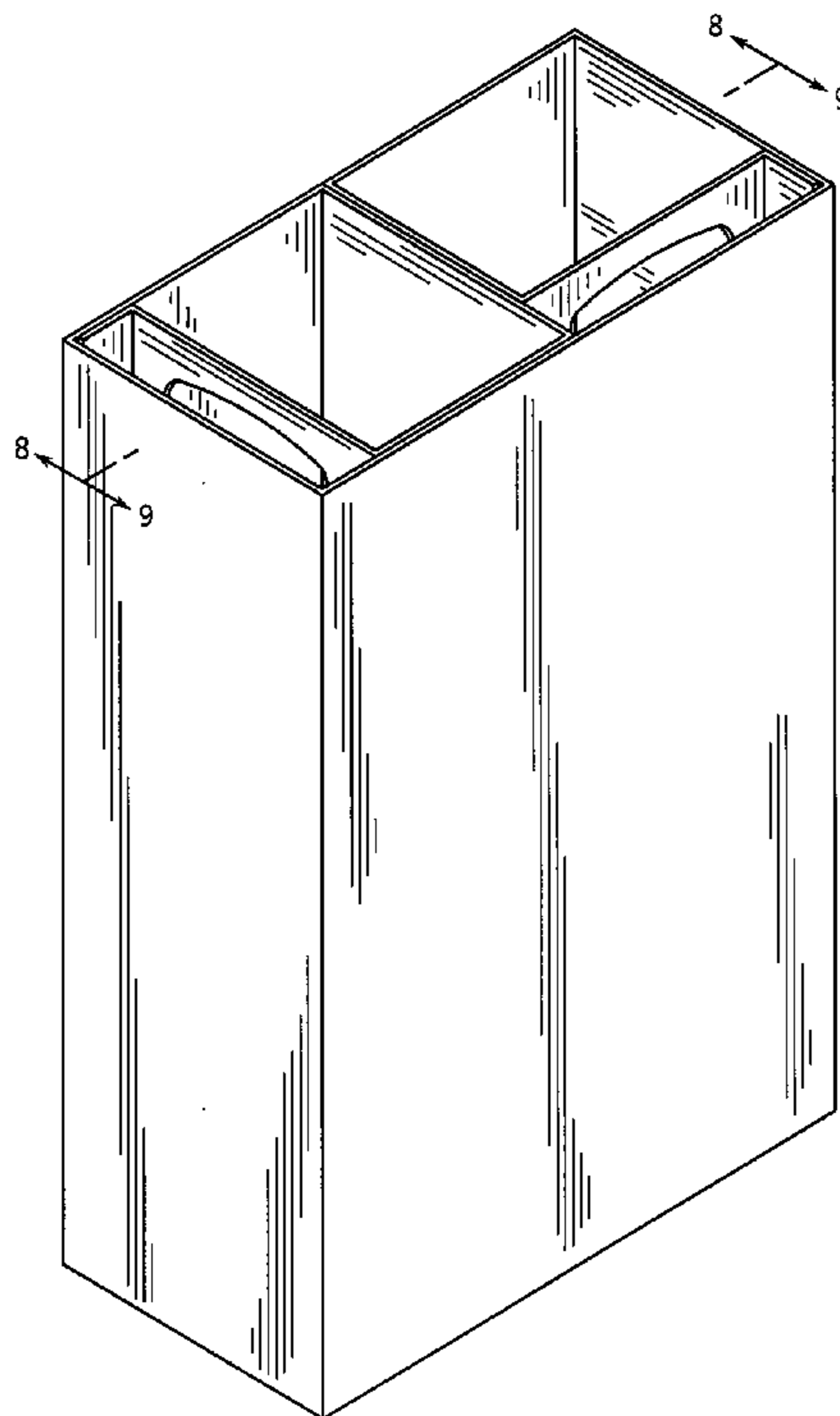
FIG. 1 is a front isometric view of a light bulb package incorporating my new design;
FIG. 2 is an end isometric view of the light bulb package of FIG. 1;
FIG. 3 is a top plan view of the light bulb package of FIG. 1;
FIG. 4 is a bottom plan view of the light bulb package of FIG. 1;
FIG. 5 is a right side elevation view of the light bulb package of FIG. 1;
FIG. 6 is a left side elevation view of the light bulb package of FIG. 1;
FIG. 7 is an end elevation view of the light bulb package of FIG. 1, with the opposite end elevation view being identical thereto;
FIG. 8 is a section view of the light bulb package of FIG. 1 taken along line 8-8 of FIG. 1; and,
FIG. 9 is a section view of the light bulb package of FIG. 1 taken along line 9-9 of FIG. 1.

(56) **References Cited**

U.S. PATENT DOCUMENTS

4,162,008	A *	7/1979	McCalmont	206/590
D278,125	S *	3/1985	Benham	D9/418
D283,309	S *	4/1986	Caldwell et al.	D9/416
D300,906	S *	5/1989	Caldwell et al.	D9/418
D309,565	S *	7/1990	Newman et al.	D9/704
7,357,253	B2	4/2008	Scott et al.		
D624,830	S *	10/2010	Sikorski	D9/711

1 Claim, 8 Drawing Sheets



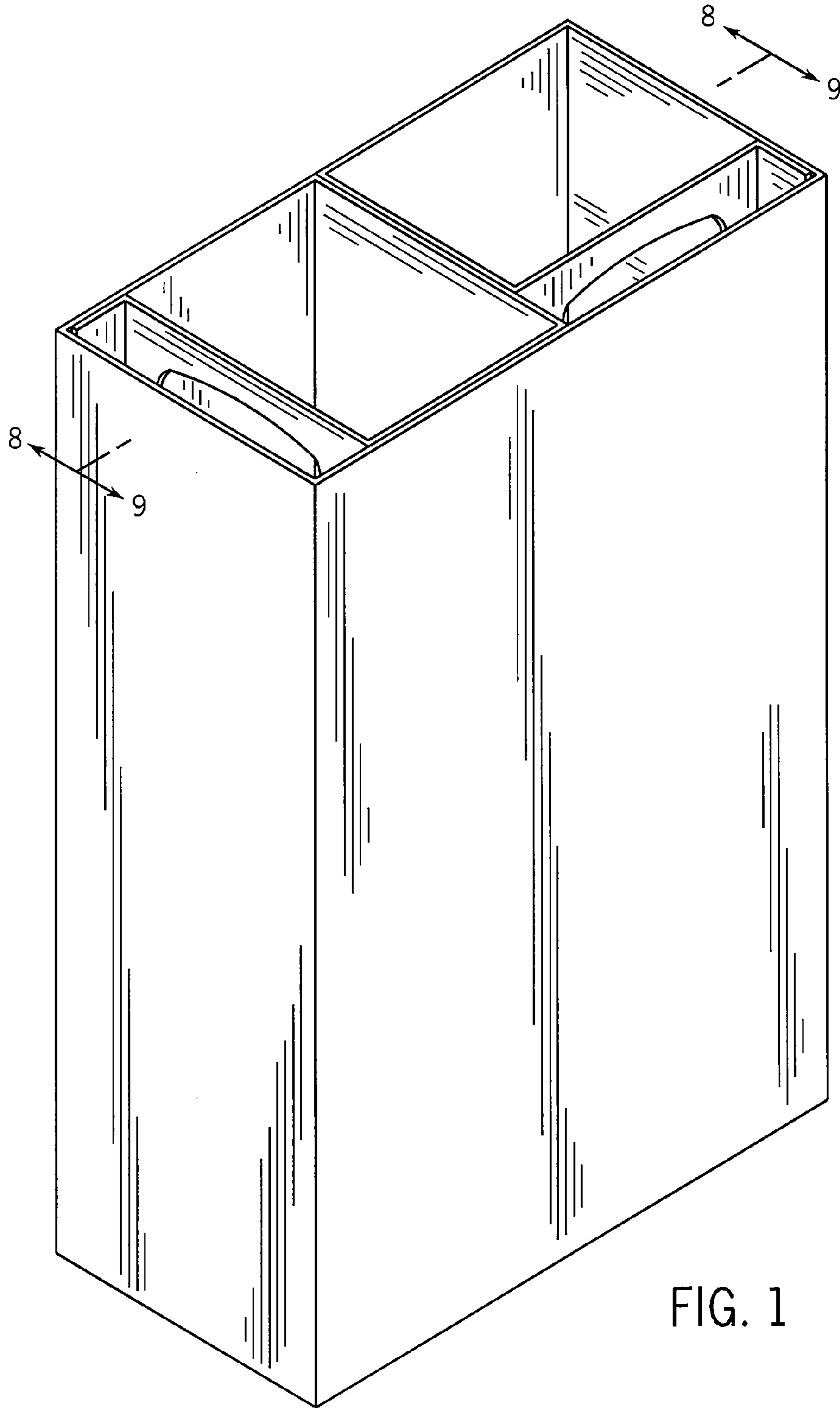


FIG. 1

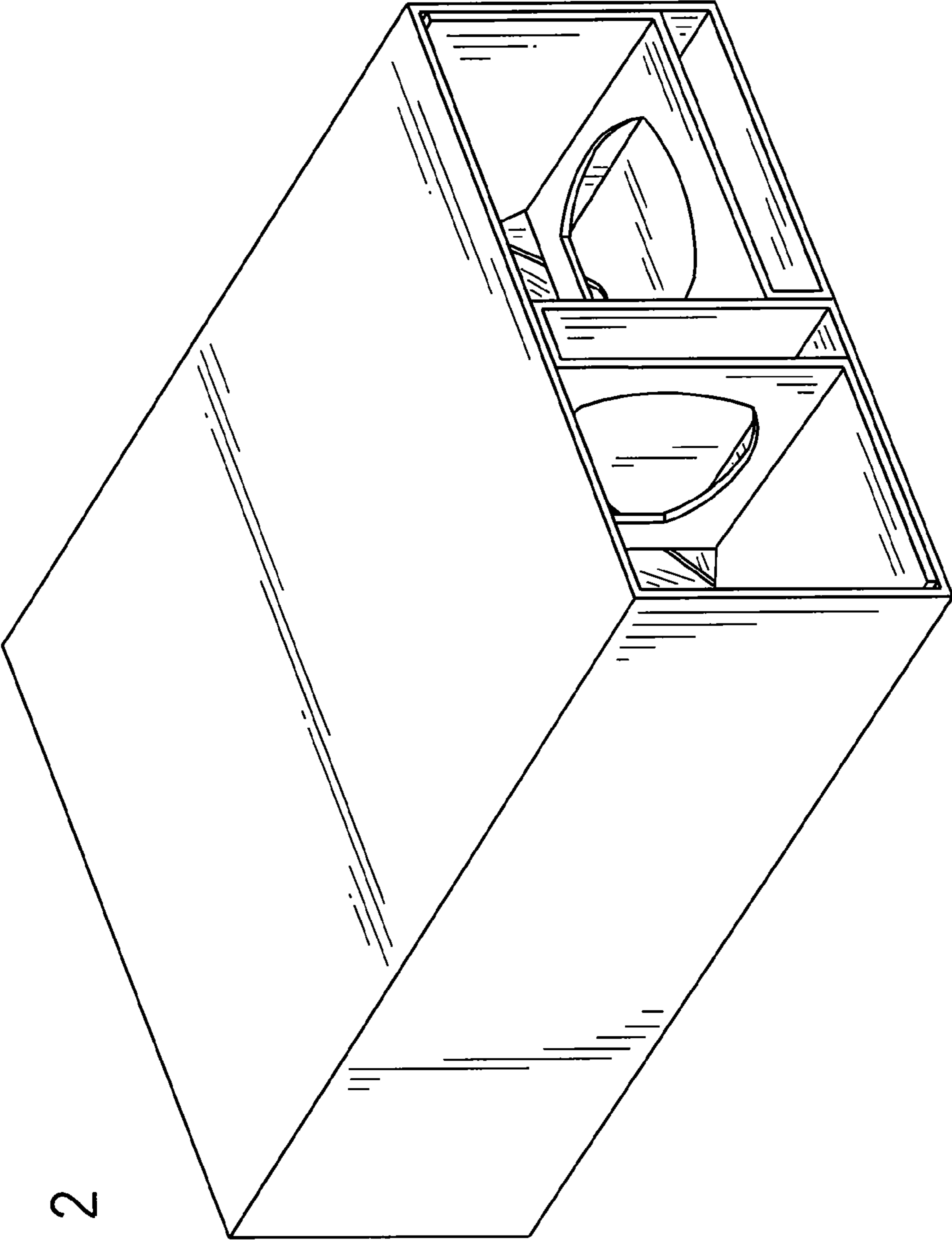


FIG. 2

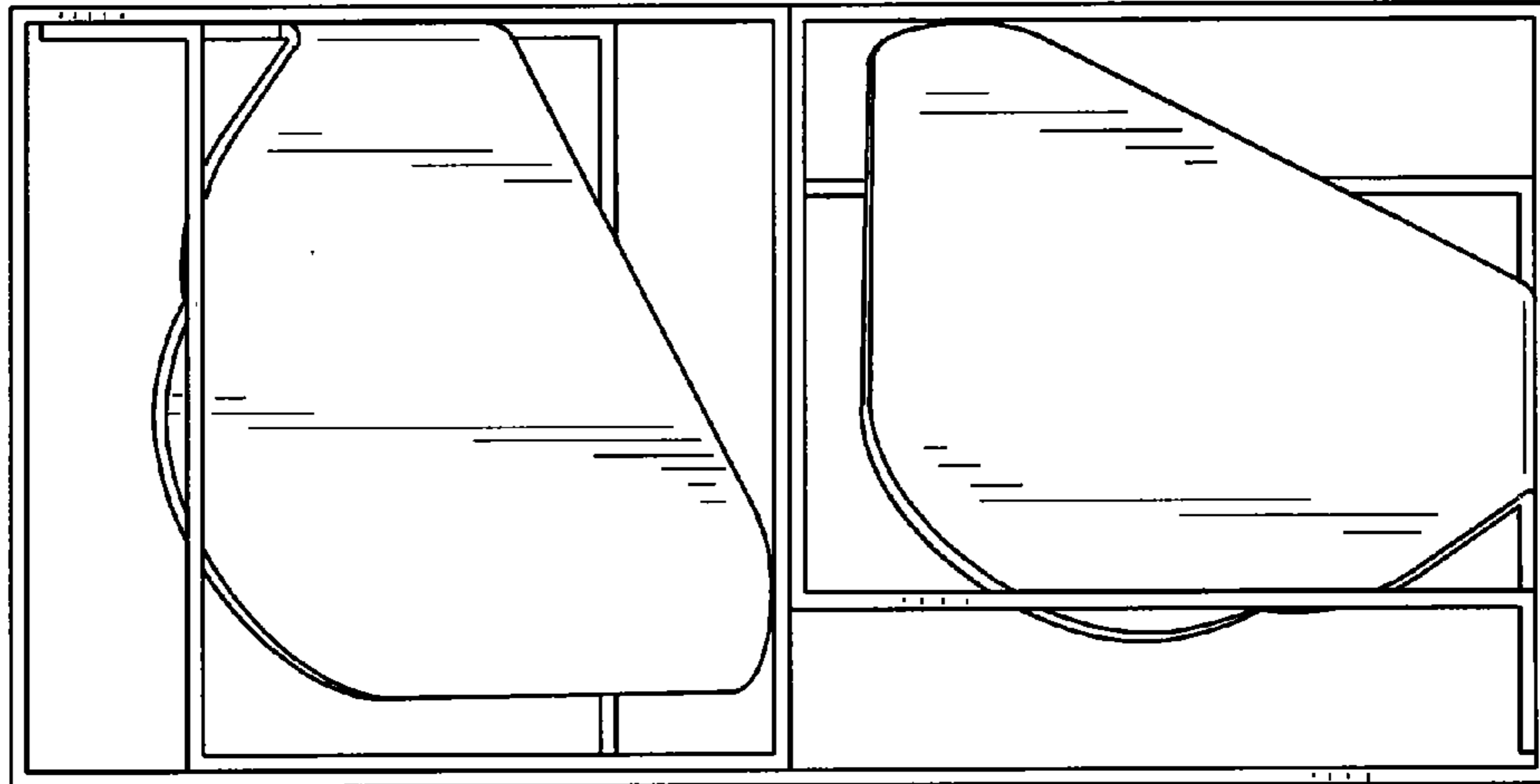


FIG. 3

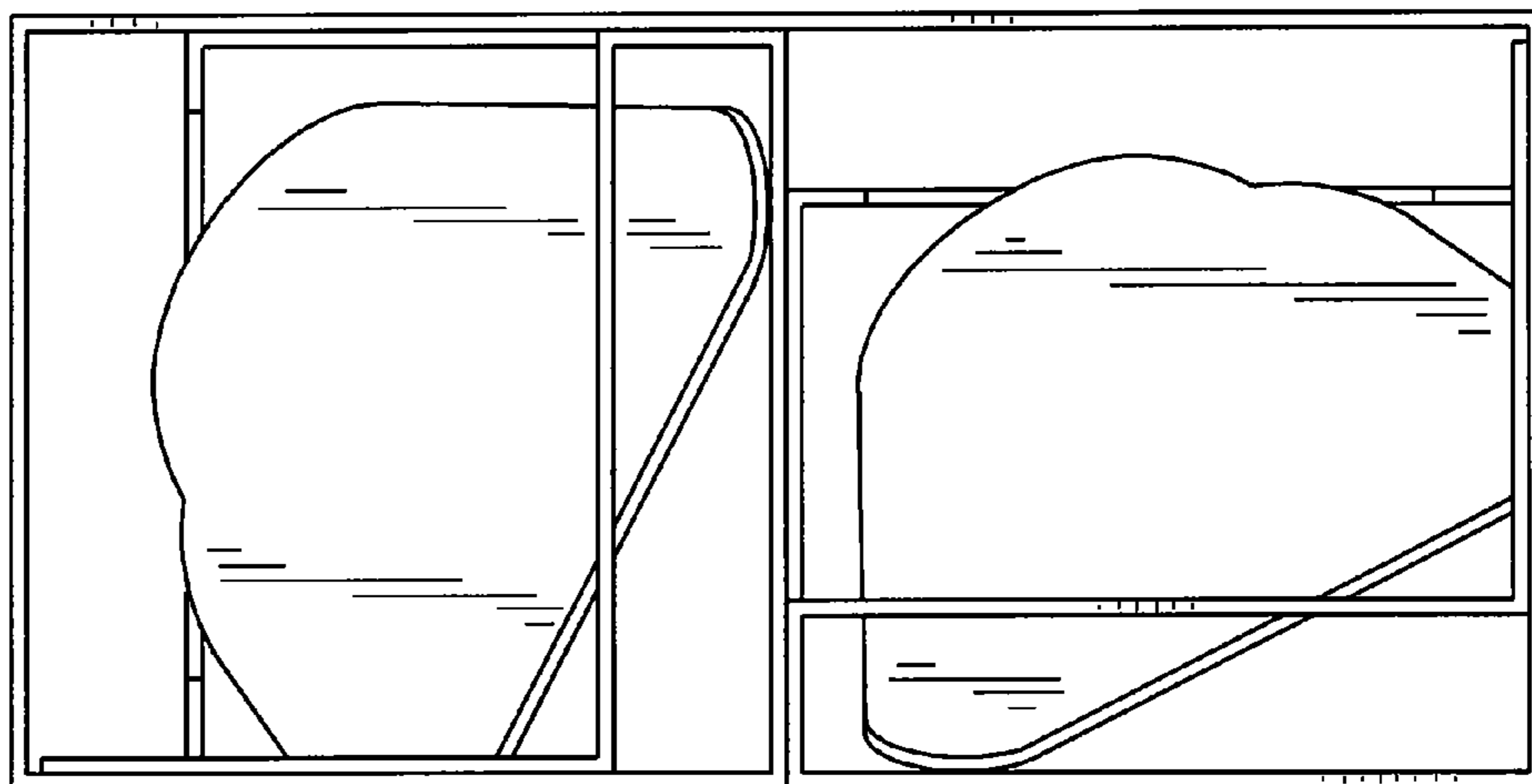


FIG. 4

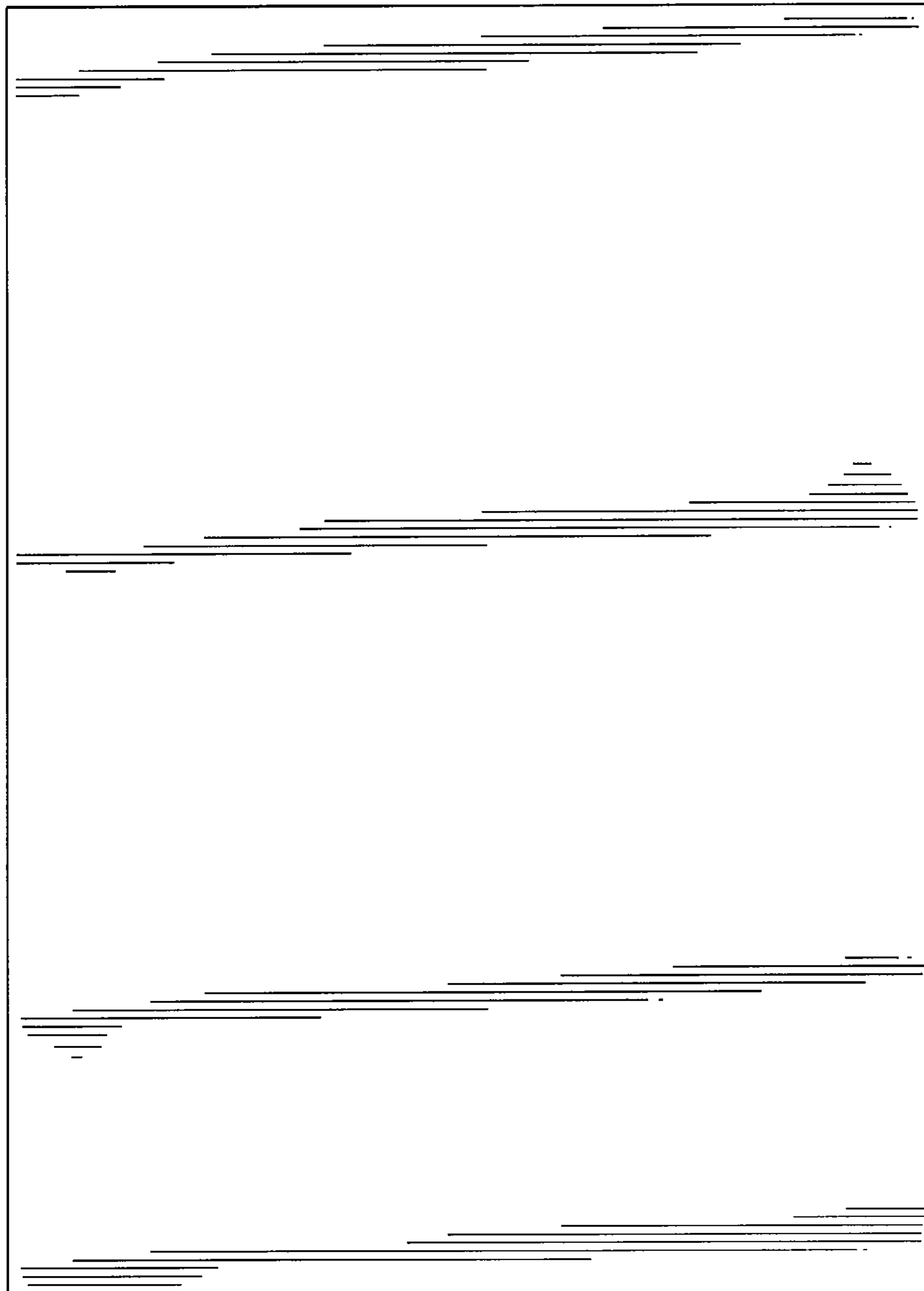


FIG. 5

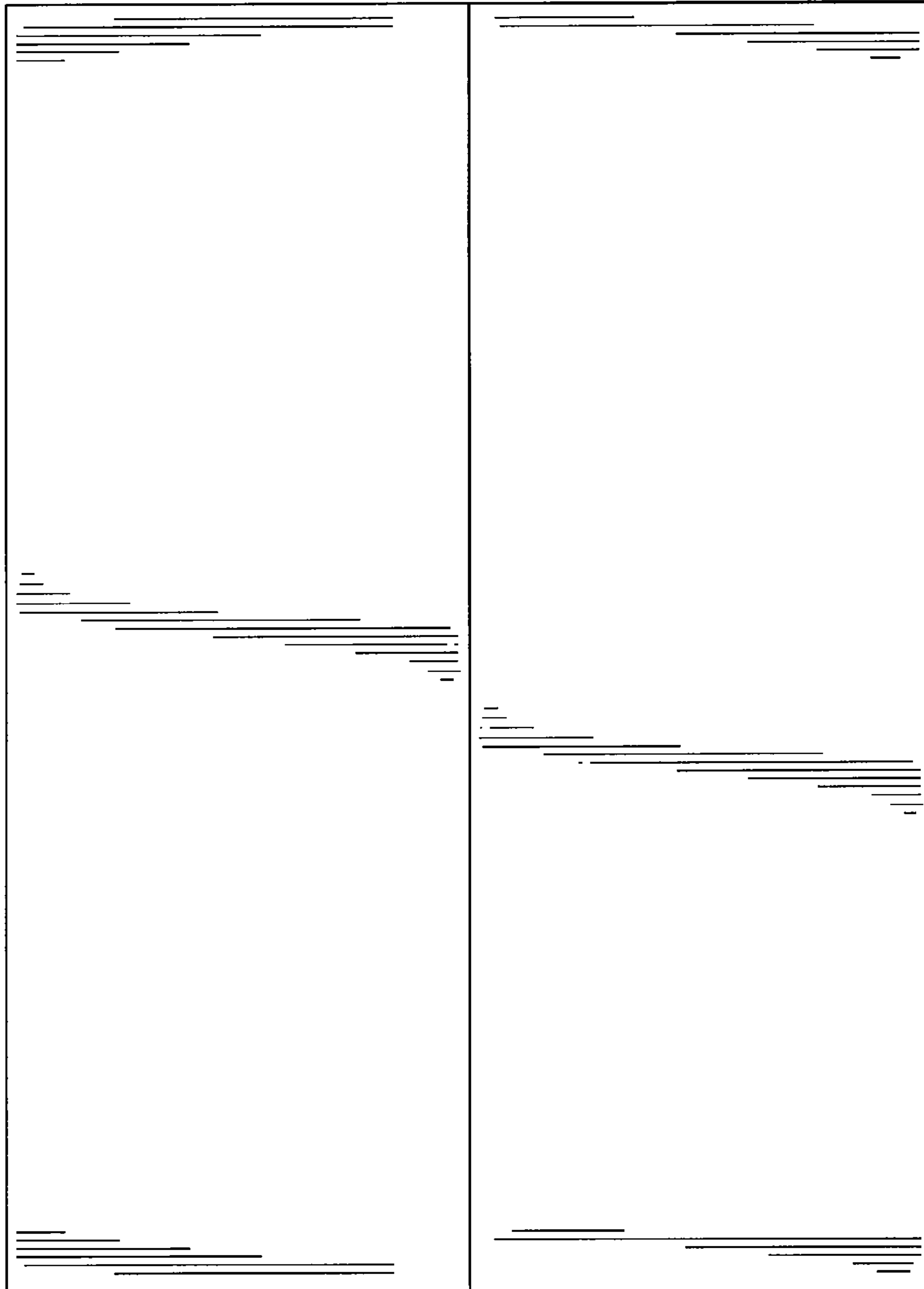


FIG. 6

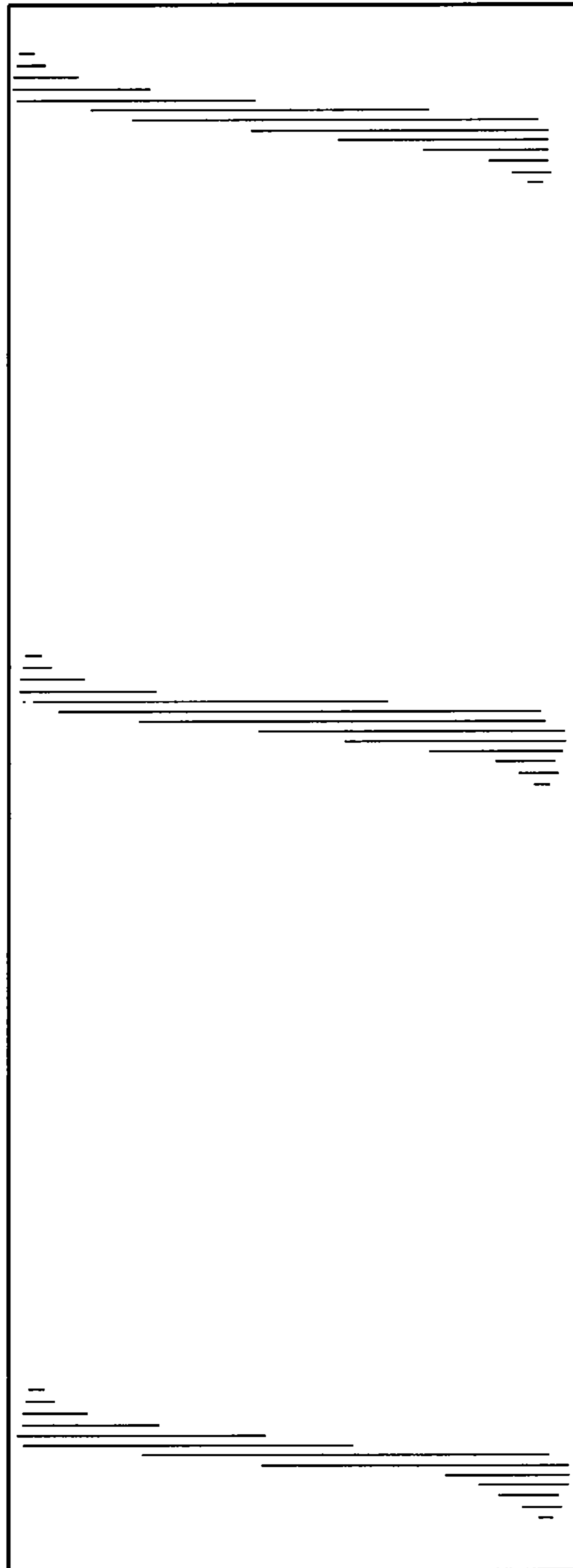


FIG. 7

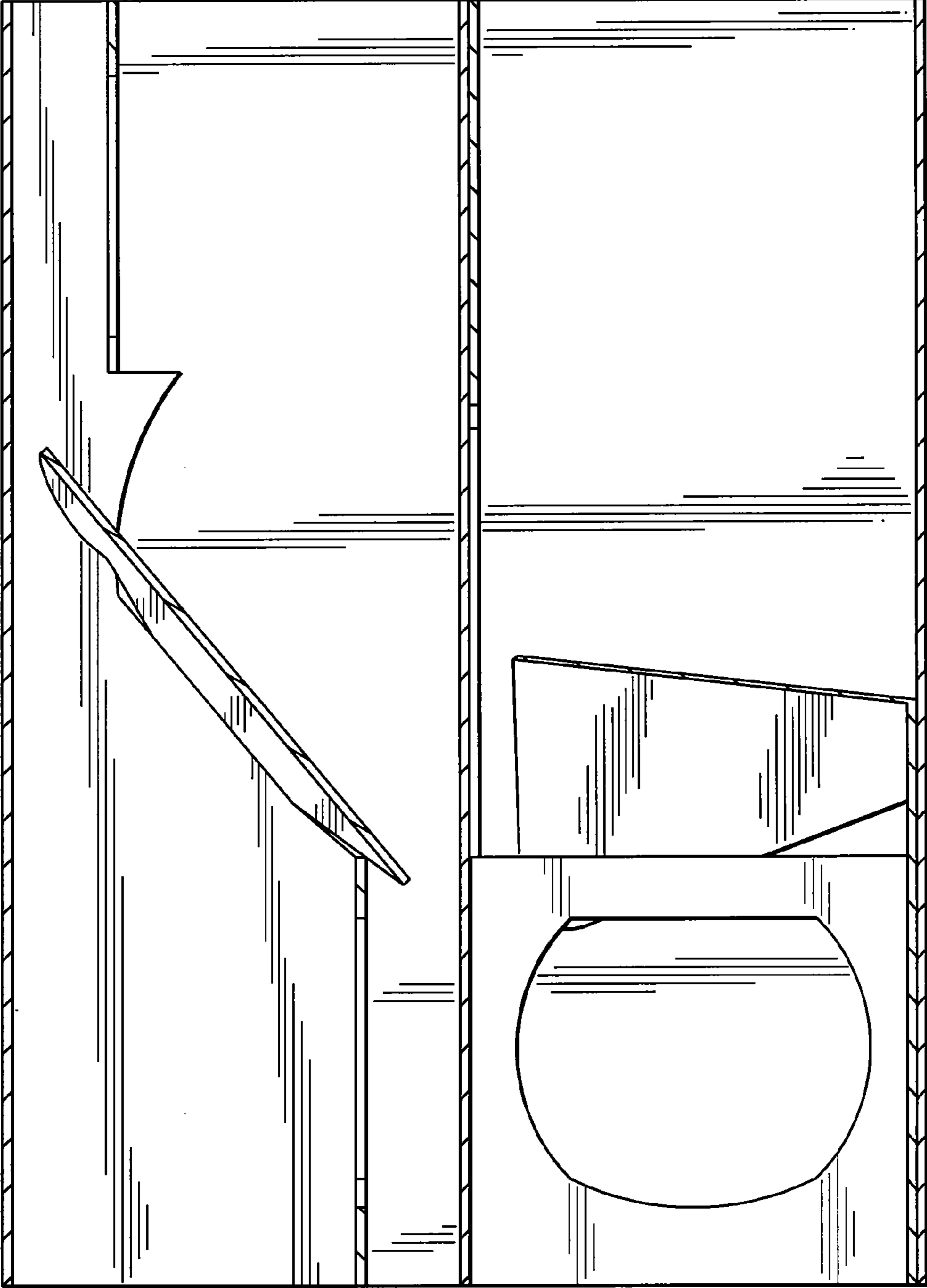


FIG. 8

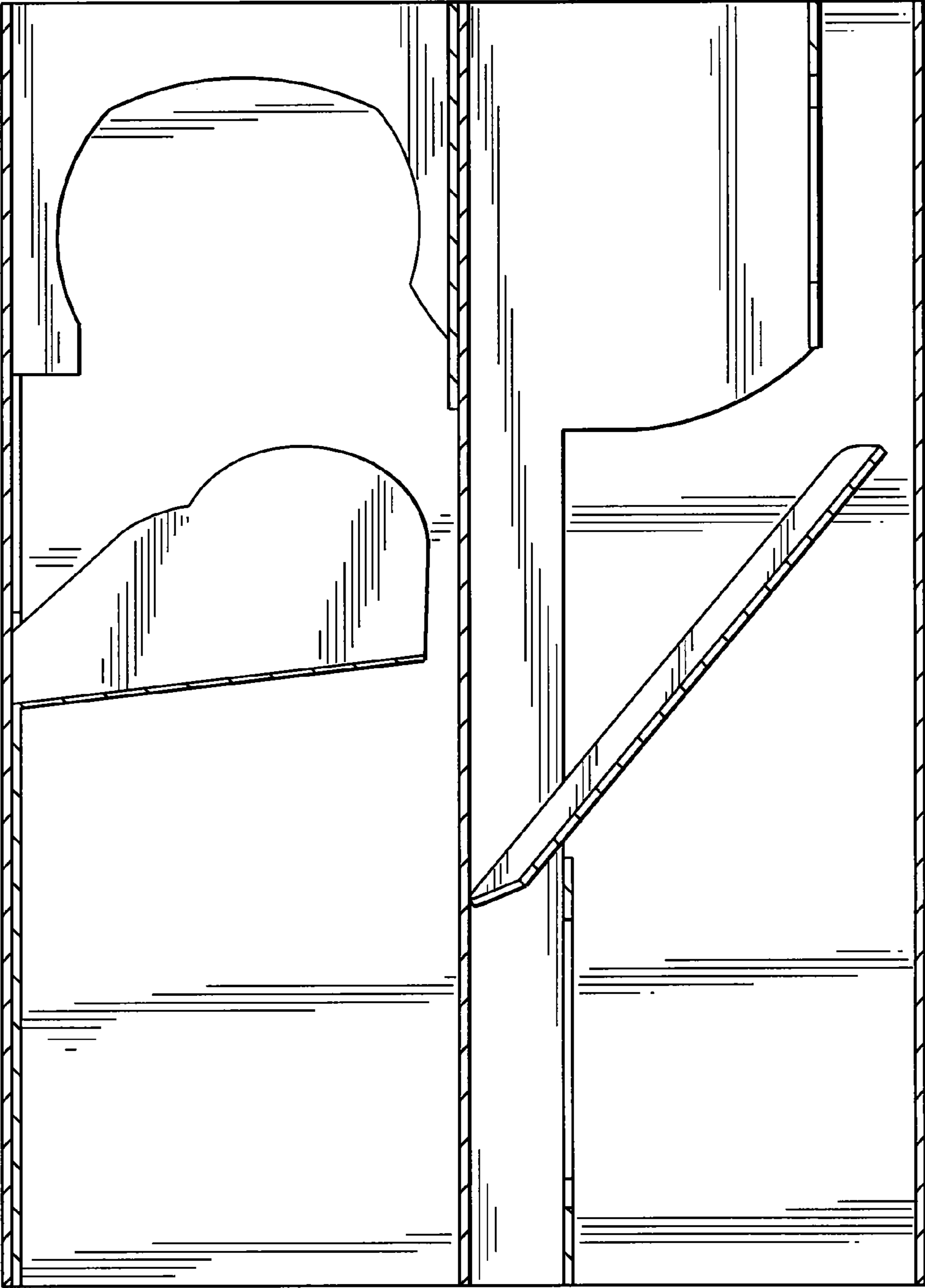


FIG. 9